



US00D535615S

(12) **United States Design Patent**
Iwai

(10) **Patent No.:** **US D535,615 S**
(45) **Date of Patent:** **** Jan. 23, 2007**

(54) **CHARGER FOR HANDSET**
(75) Inventor: **Nobuyuki Iwai**, Chita-gun (JP)
(73) Assignee: **Brother Industries, Ltd.**, Nagoya (JP)
(**) Term: **14 Years**

D489,325 S * 5/2004 Nakamura D13/110
D507,526 S * 7/2005 Ohta D13/108
D509,790 S * 9/2005 Sakai D13/108
D520,943 S * 5/2006 Imai D13/108
D523,847 S * 6/2006 Naruki D14/217

* cited by examiner

(21) Appl. No.: **29/254,327**
(22) Filed: **Feb. 23, 2006**

Primary Examiner—Alan P. Douglas
Assistant Examiner—Rosemary K. Tarcza
(74) *Attorney, Agent, or Firm*—Oliff & Berridge, PLC

(30) **Foreign Application Priority Data**

Sep. 9, 2005 (JP) 2005-026301

(51) **LOC (8) Cl.** **13-02**
(52) **U.S. Cl.** **D13/108**
(58) **Field of Classification Search** D13/107–110,
D13/118–119, 184; D14/251, 253, 432, 434;
320/107–115; 455/573
See application file for complete search history.

(57) **CLAIM**

The ornamental design for charger for handset, as shown and described.

DESCRIPTION

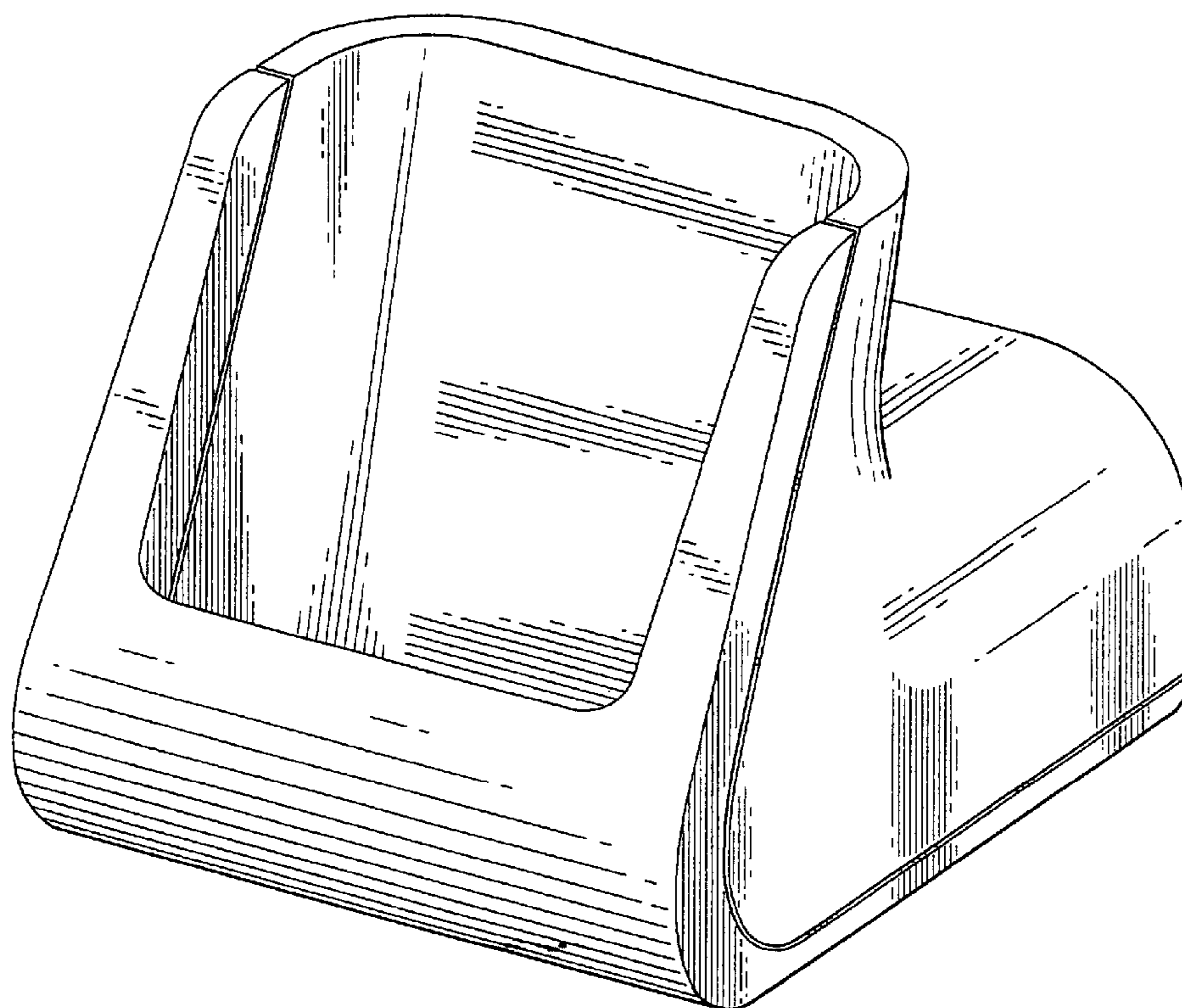
FIG. 1 is a perspective view of a charger for handset;
FIG. 2 is a front view thereof;
FIG. 3 is a top view thereof;
FIG. 4 is a right-side view thereof, the left-side view being a mirror image;
FIG. 5 is a rear view thereof;
FIG. 6 is a bottom view thereof;
FIG. 7 is a cross-sectional view thereof taken between arrows 7—7 shown in FIG. 2; and,
FIG. 8 is a right-side view thereof shown in use supporting a handset.
The broken lines are for illustrative purposes only and form no part of the claimed design.

(56) **References Cited**

U.S. PATENT DOCUMENTS

D277,662 S * 2/1985 Huntington et al. D13/107
D442,141 S * 5/2001 Ikenaga D13/107
D445,087 S * 7/2001 Skoger et al. D13/108
D465,532 S * 11/2002 Hussaini et al. D21/333
D474,737 S * 5/2003 Yoshida D13/108
D487,897 S * 3/2004 Huang et al. D14/434
D488,440 S * 4/2004 Senda D13/108
D489,323 S * 5/2004 Yoshida D13/108

1 Claim, 6 Drawing Sheets



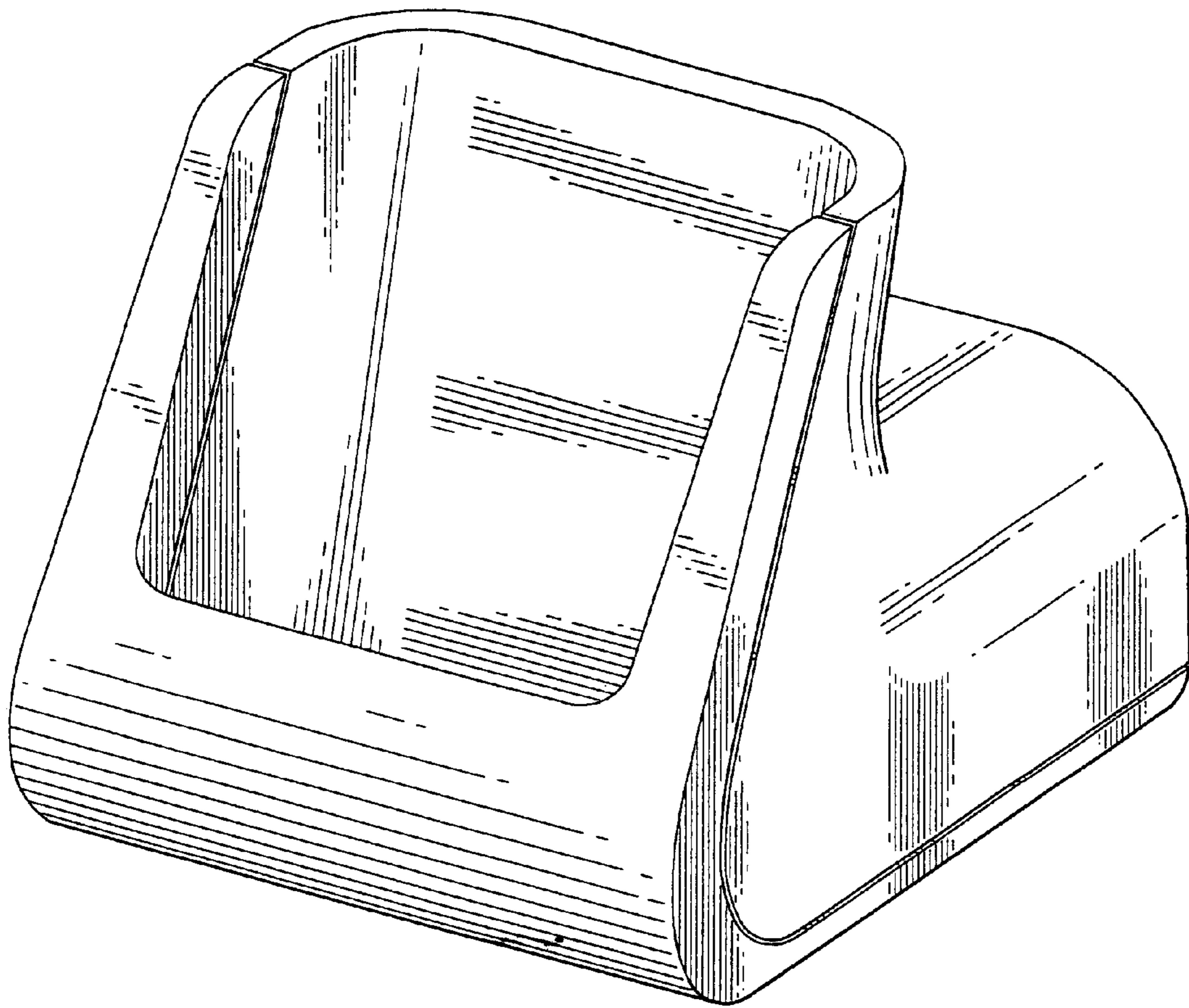


FIG. 1

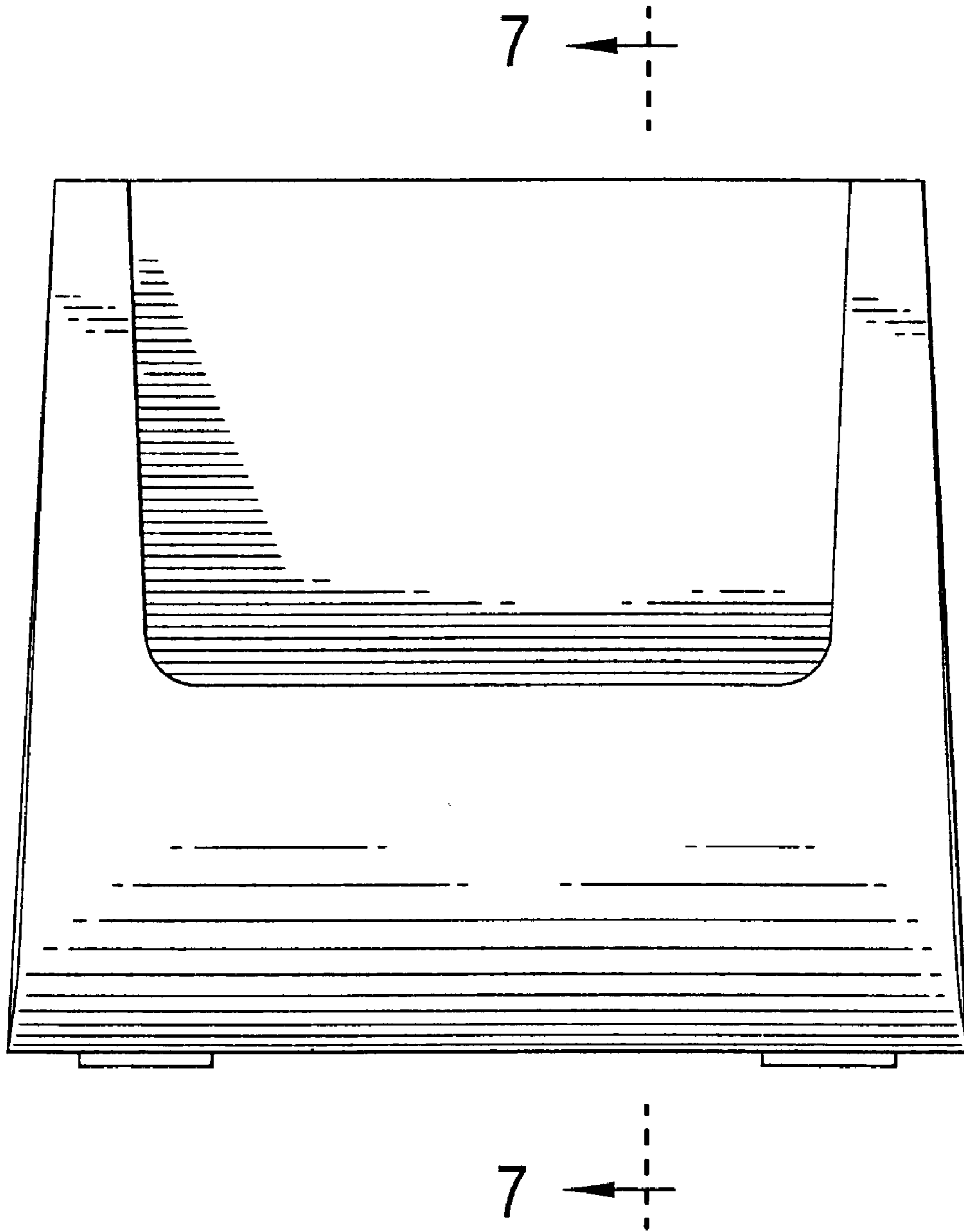


FIG. 2

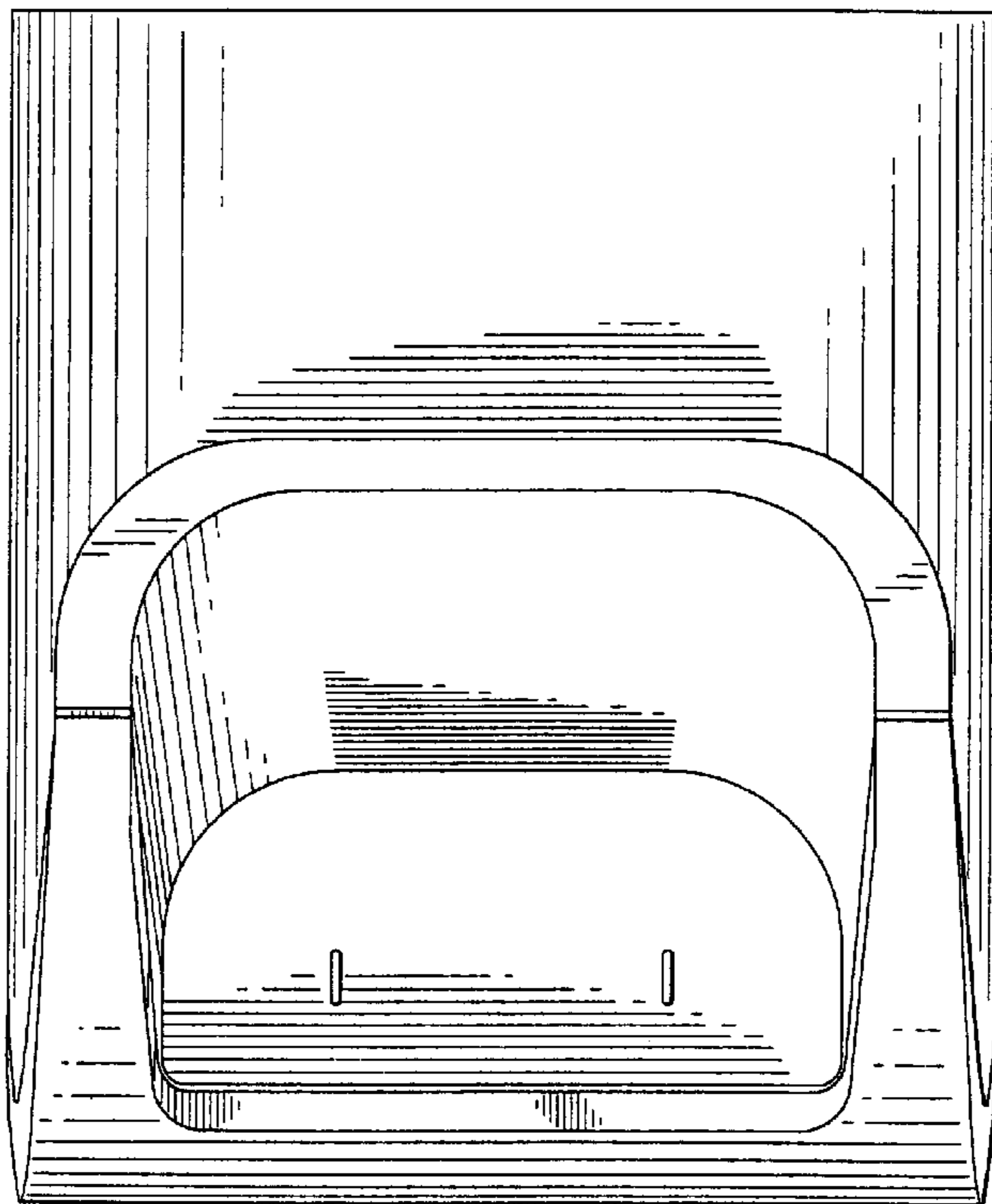


FIG. 3

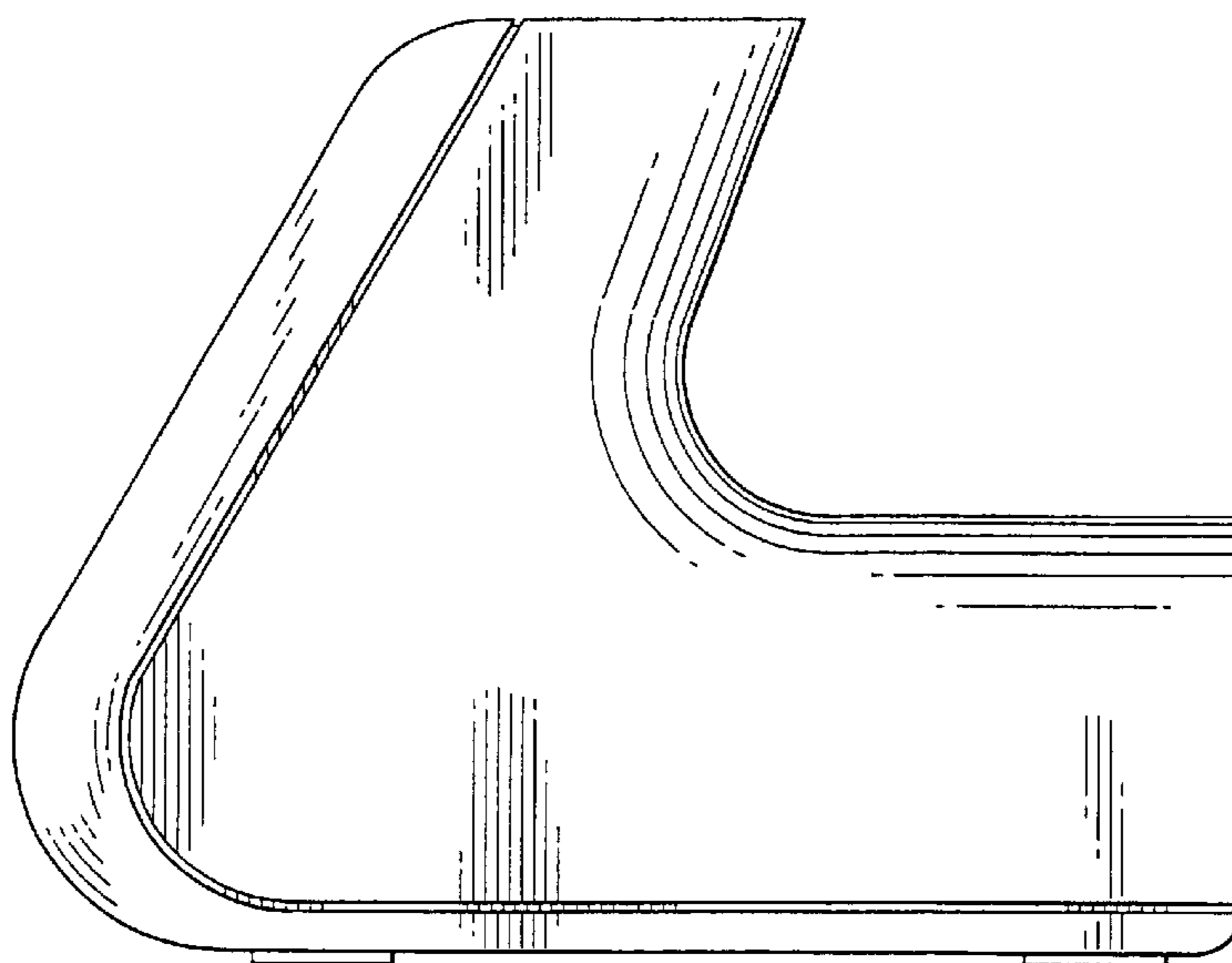


FIG. 4

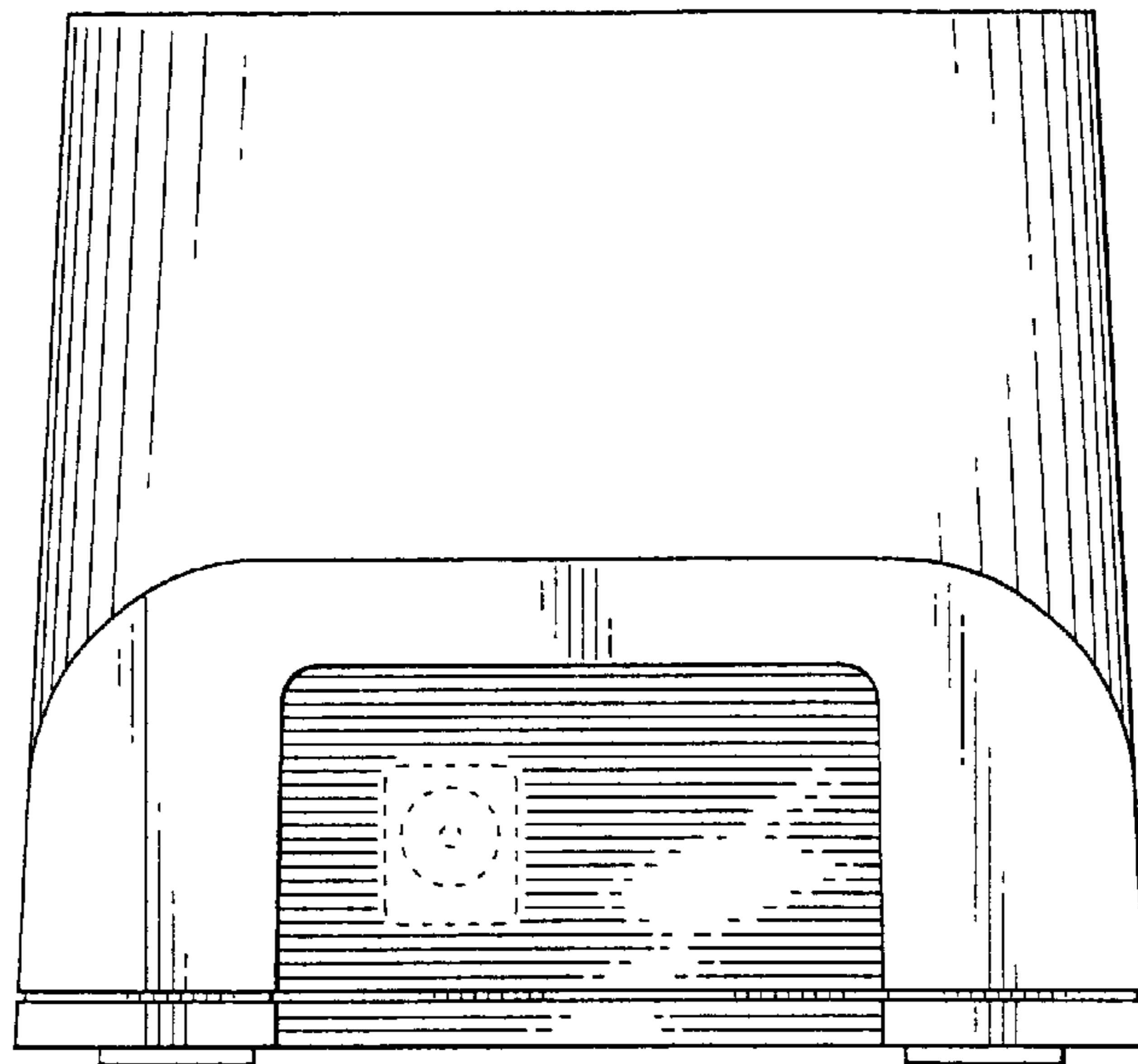


FIG. 5

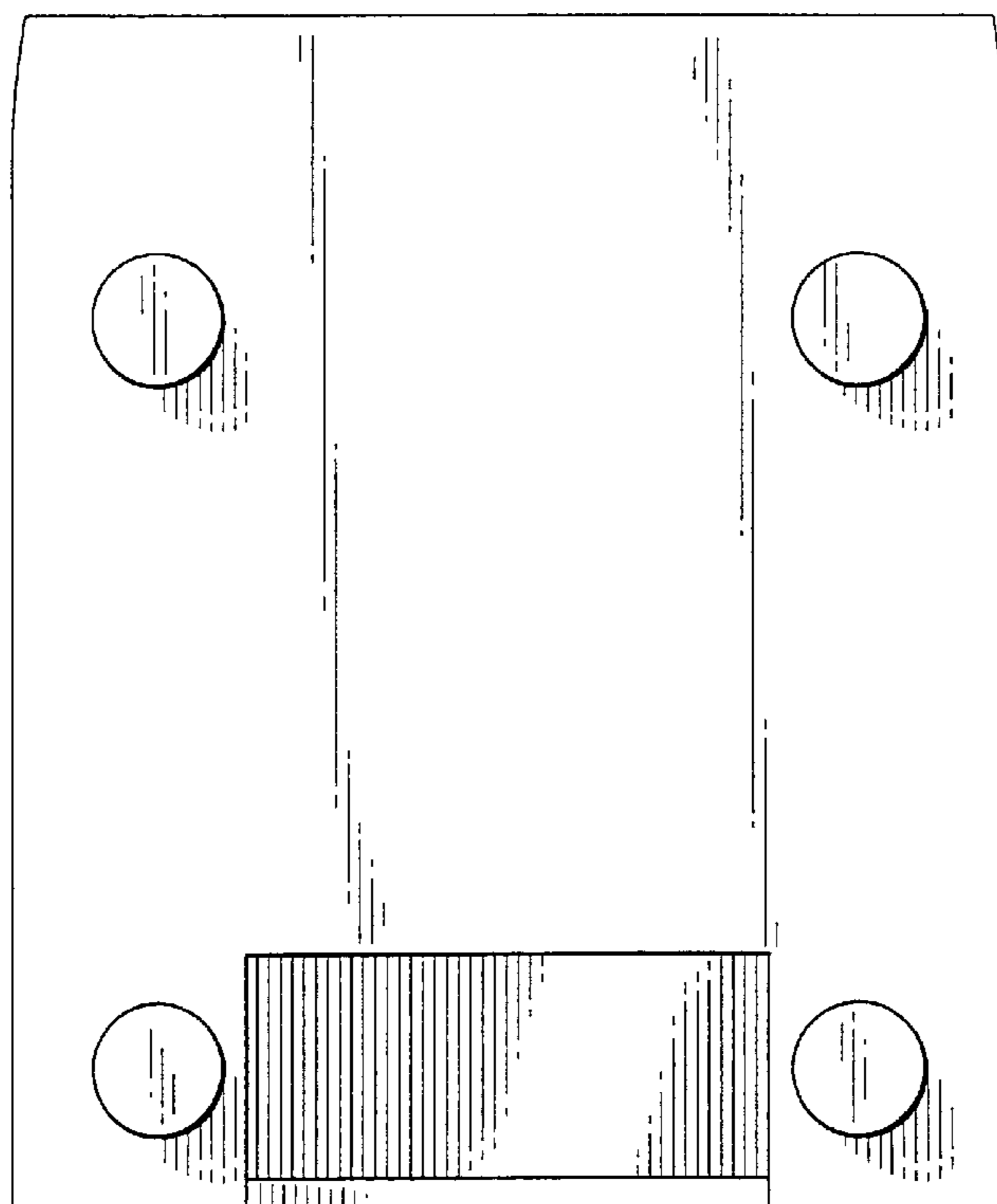


FIG. 6

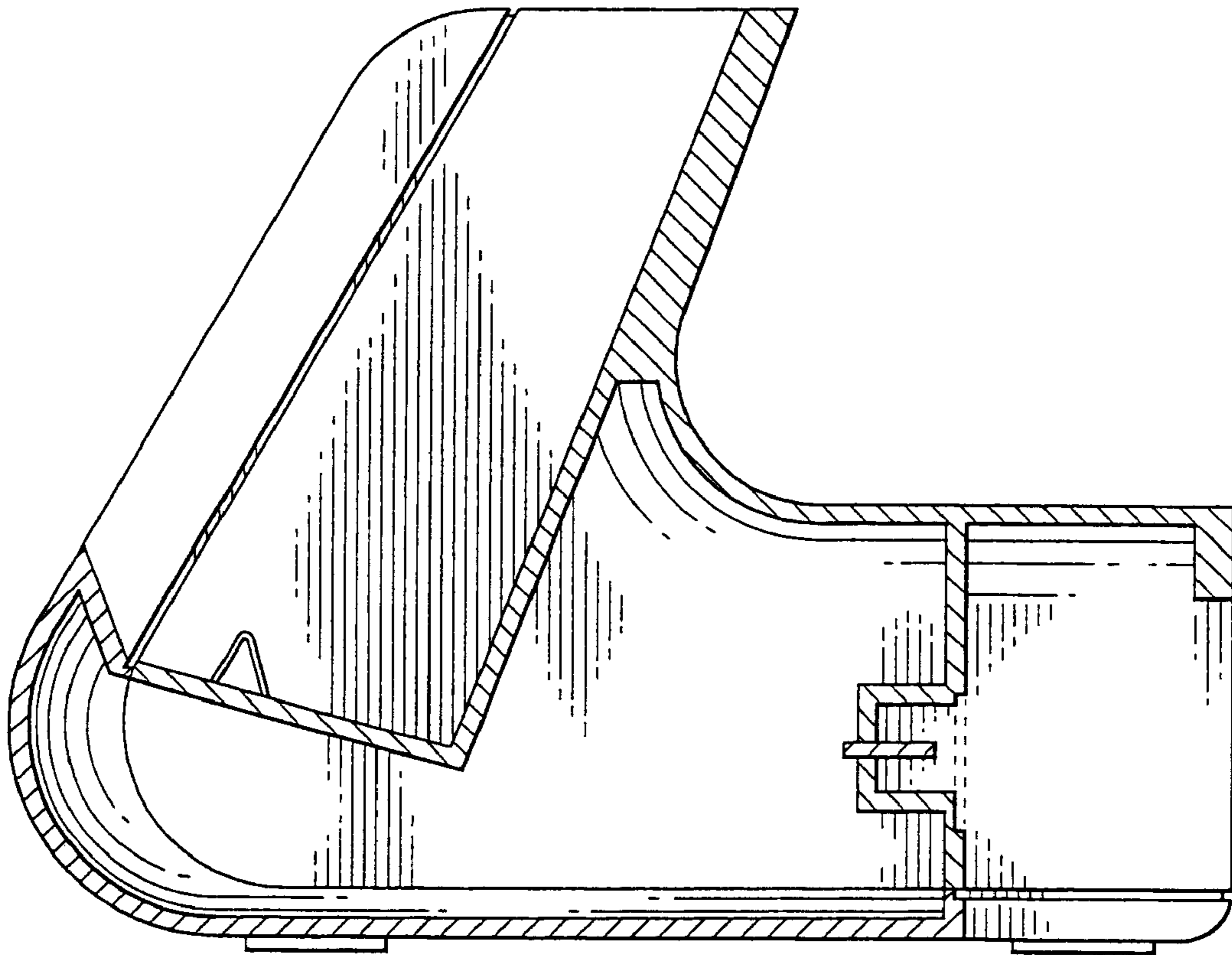


FIG. 7

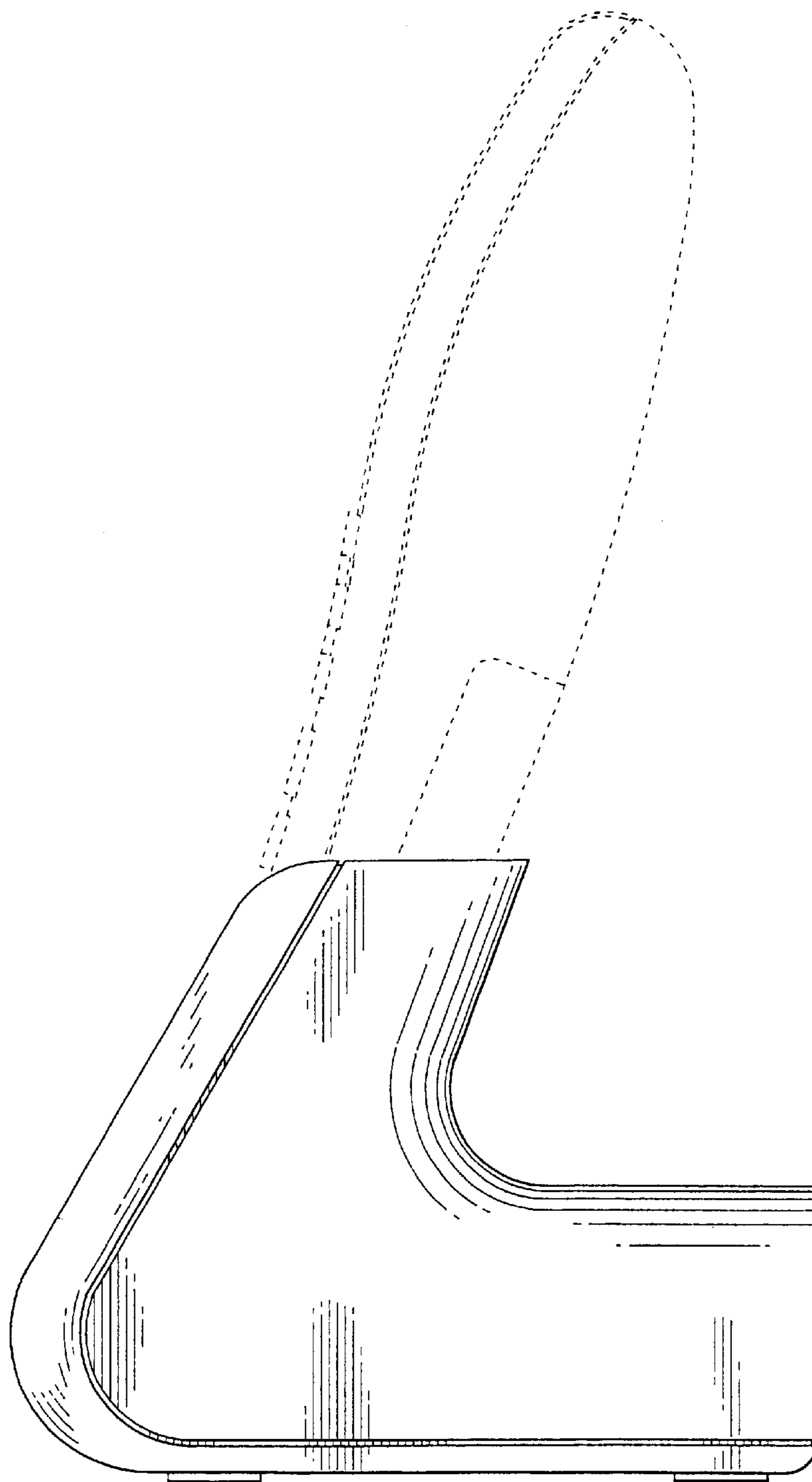


FIG. 8