



US00D535614S

(12) **United States Design Patent**  
**Majanen et al.**

(10) **Patent No.:** **US D535,614 S**  
(45) **Date of Patent:** **\*\* Jan. 23, 2007**

(54) **DESKTOP HOLDER AND CHARGER FOR A HANDSET**

(75) Inventors: **Pekka Majanen**, Salo (FI); **Todd Wood**, Santa Monica, CA (US)

(73) Assignee: **Nokia Corporation**, Espoo (FI)

(\*\*) Term: **14 Years**

(21) Appl. No.: **29/227,048**

(22) Filed: **Apr. 6, 2005**

(51) **LOC (8) Cl.** ..... **13-02**

(52) **U.S. Cl.** ..... **D13/108**

(58) **Field of Classification Search** ..... D13/107-110,  
D13/118-119, 184; D14/251, 253, 432, 434;  
320/107-115

See application file for complete search history.

(56) **References Cited**

U.S. PATENT DOCUMENTS

D327,248 S	*	6/1992	Hotsumi et al.	.....	D13/108
D345,728 S	*	4/1994	Tyneski et al.	.....	D13/108
D350,540 S	*	9/1994	Hyvonen	.....	D14/149
D361,069 S	*	8/1995	Hellier et al.	.....	D14/253
D402,957 S	*	12/1998	Kuwayama et al.	.....	D13/108
D409,563 S	*	5/1999	Haase et al.	.....	D13/107
D417,431 S	*	12/1999	Okura et al.	.....	D13/108
D422,556 S	*	4/2000	Okura et al.	.....	D13/107
D428,597 S	*	7/2000	Murata et al.	.....	D13/108

D442,939 S	*	5/2001	Goldenburg	.....	D14/191
D477,823 S	*	7/2003	Lavello, Sr.	.....	D14/253
D495,336 S	*	8/2004	Andre et al.	.....	D14/434
2005/0024011 A1	*	2/2005	Chen	.....	320/107

\* cited by examiner

*Primary Examiner*—Alan P. Douglas

*Assistant Examiner*—Rosemary K. Tarcza

(74) *Attorney, Agent, or Firm*—Banner & Witcoff, Ltd.

(57) **CLAIM**

The ornamental design for a desktop holder and charger for a handset, as shown and described.

**DESCRIPTION**

FIG. 1 is a top plan view of a desktop holder and charger for a handset showing our new design;

FIG. 2 is a bottom plan view thereof;

FIG. 3 is a first perspective front view thereof;

FIG. 4 is a second perspective front view thereof;

FIG. 5 is a perspective rear view thereof;

FIG. 6 is a front view thereof;

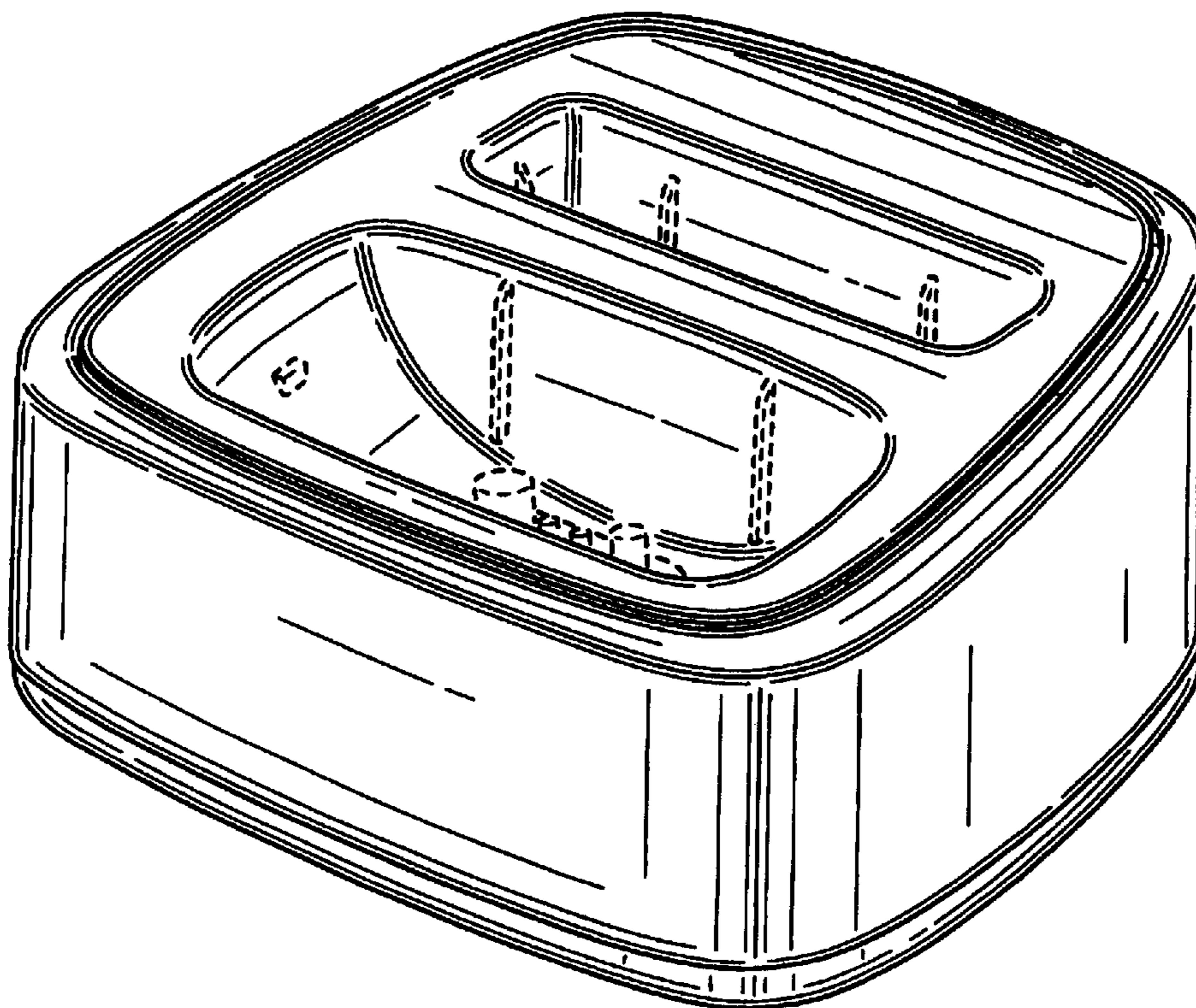
FIG. 7 is a rear view thereof;

FIG. 8 is a left side view thereof; and,

FIG. 9 is a right side view thereof.

The broken line showing of various regions in the figures is for illustrative purposes only and form no part of the claimed design.

**1 Claim, 7 Drawing Sheets**



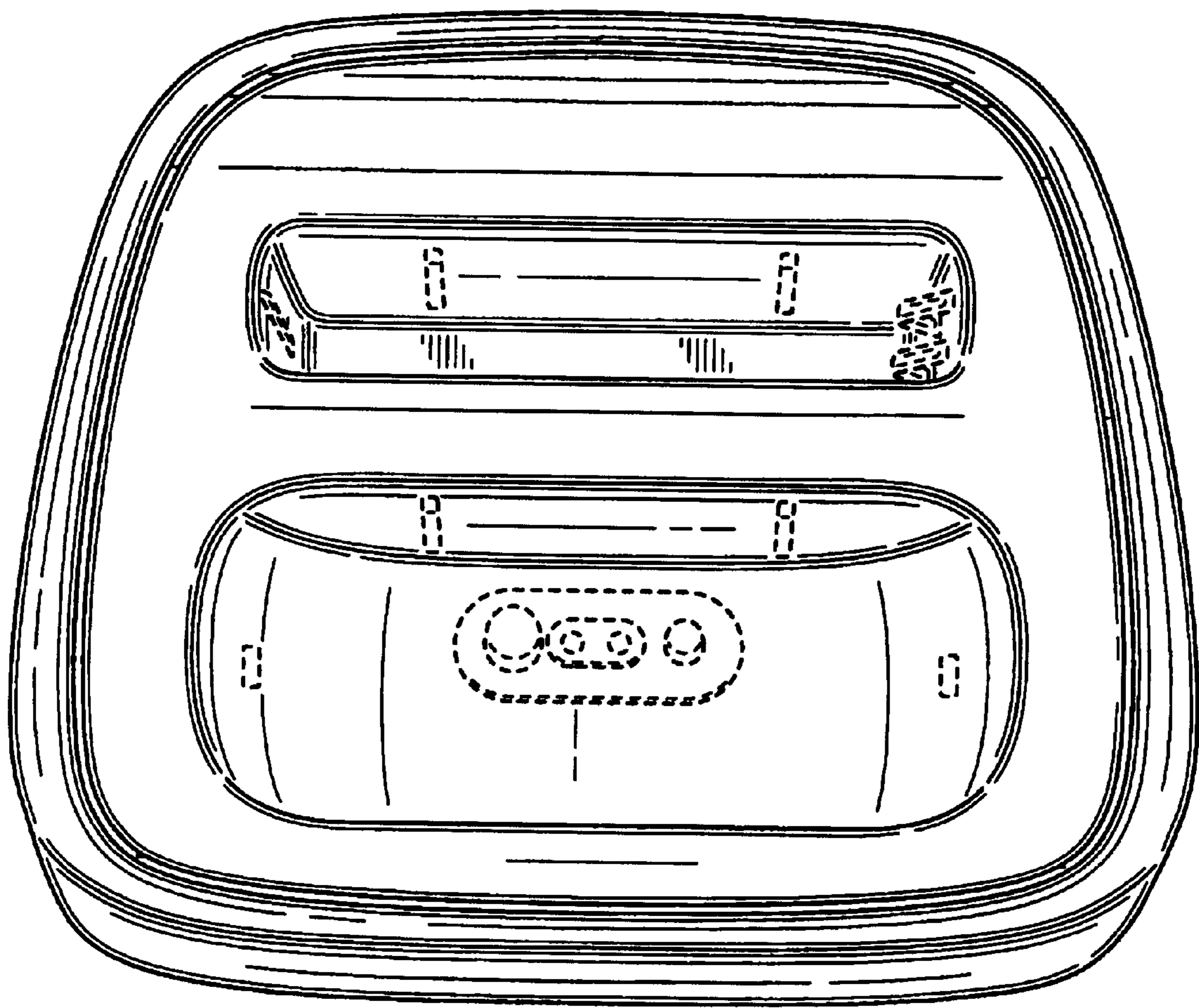


FIG. 1

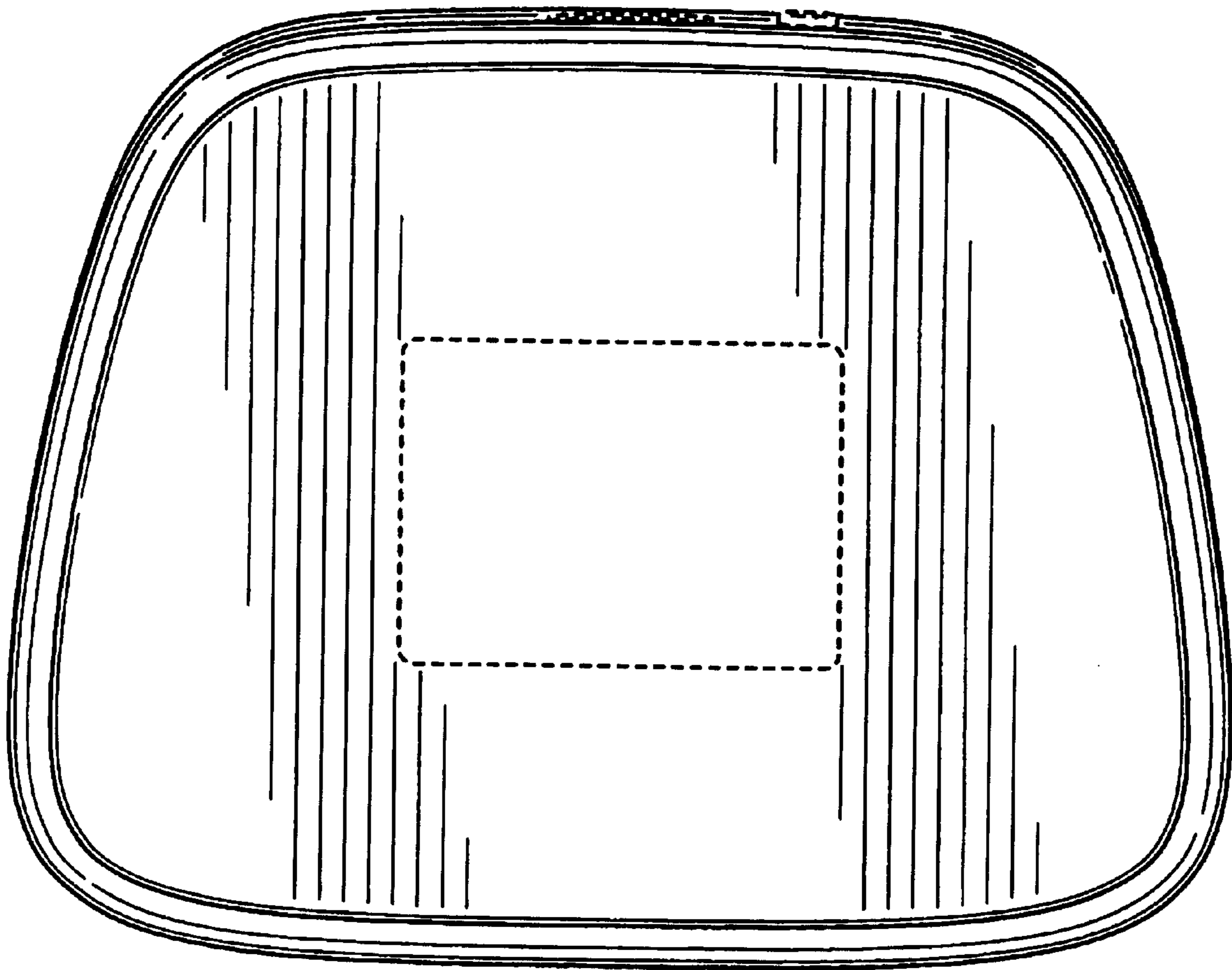


FIG. 2

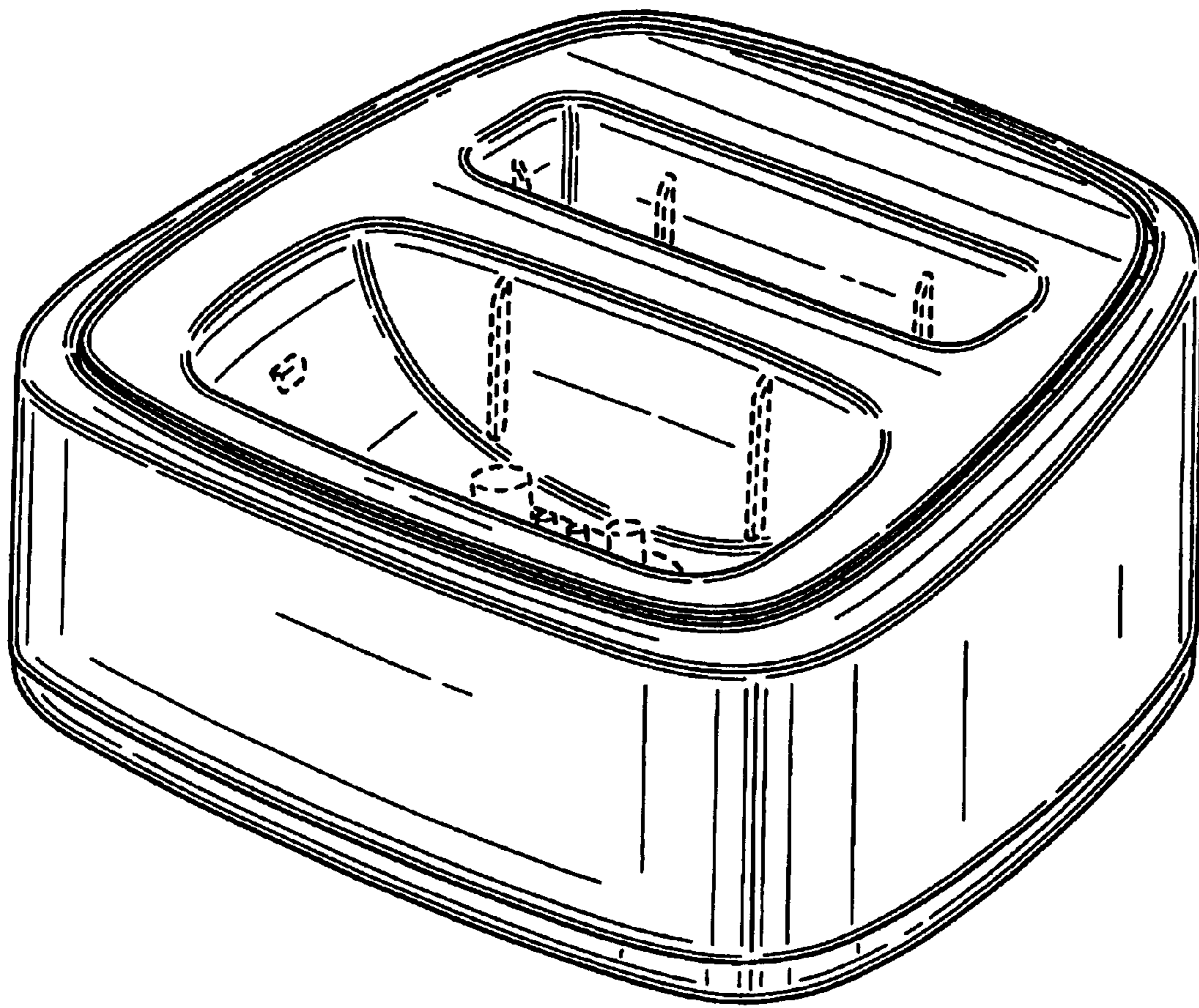


FIG. 3

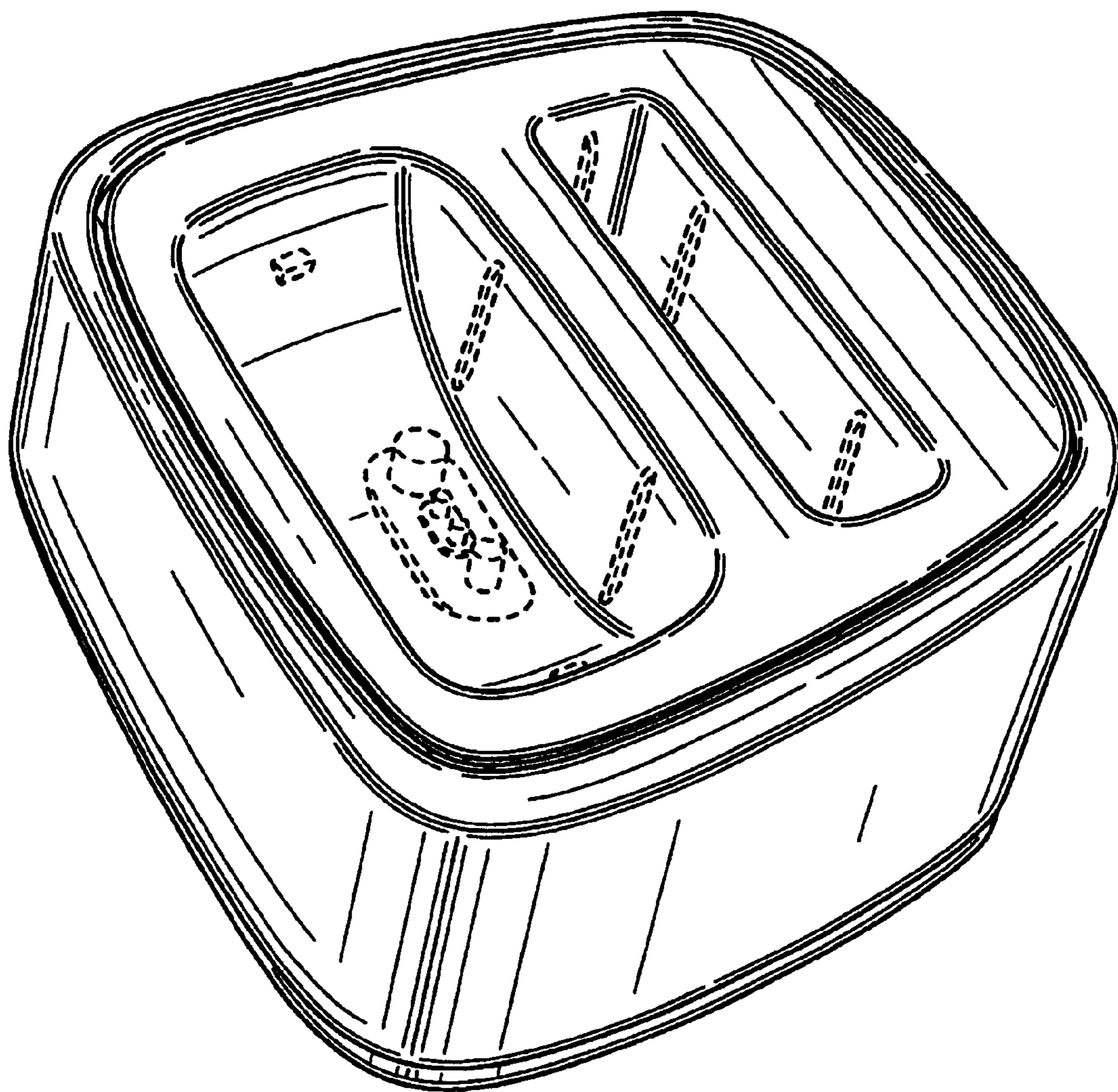


FIG. 4

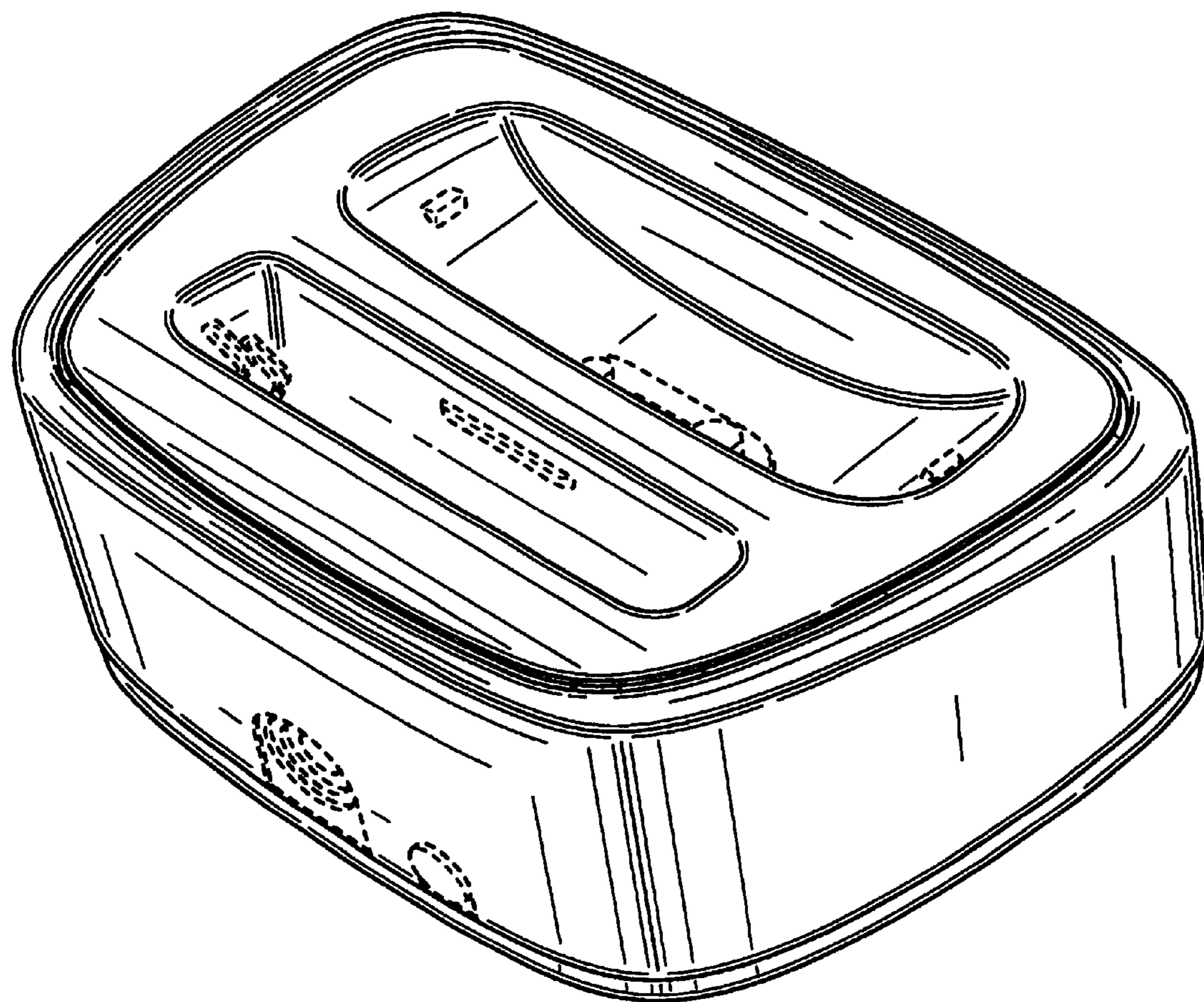


FIG. 5

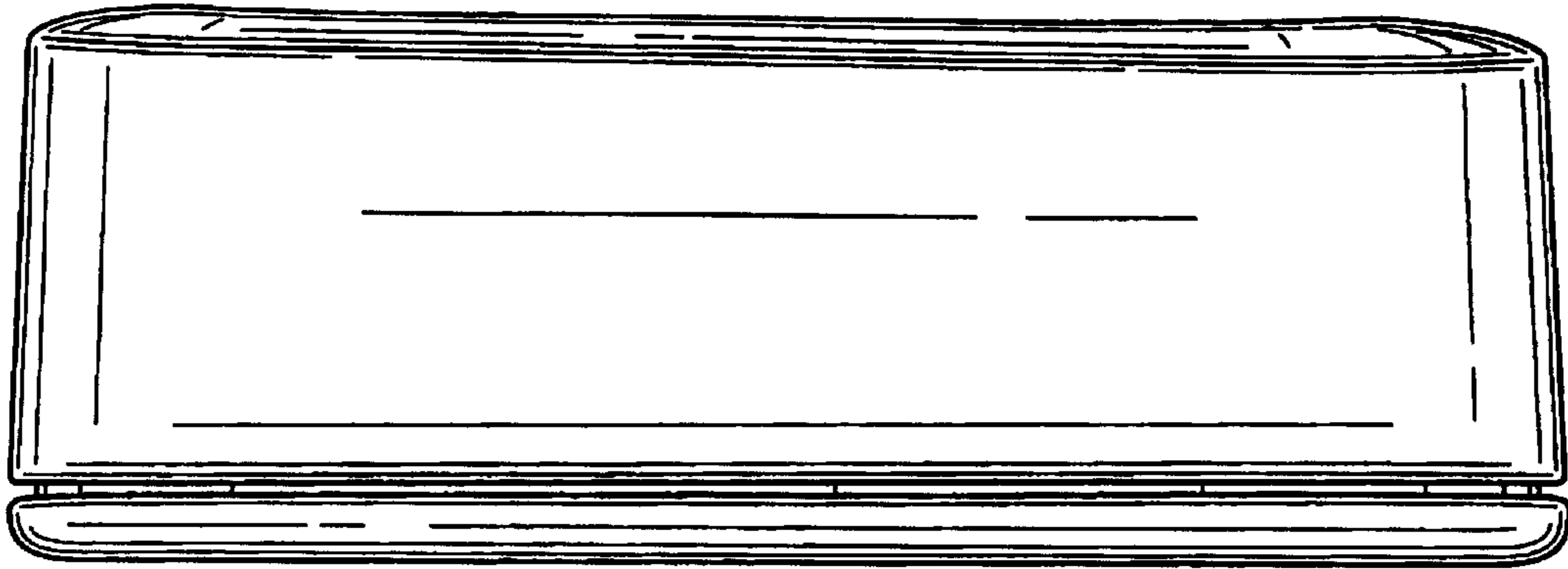


FIG. 6

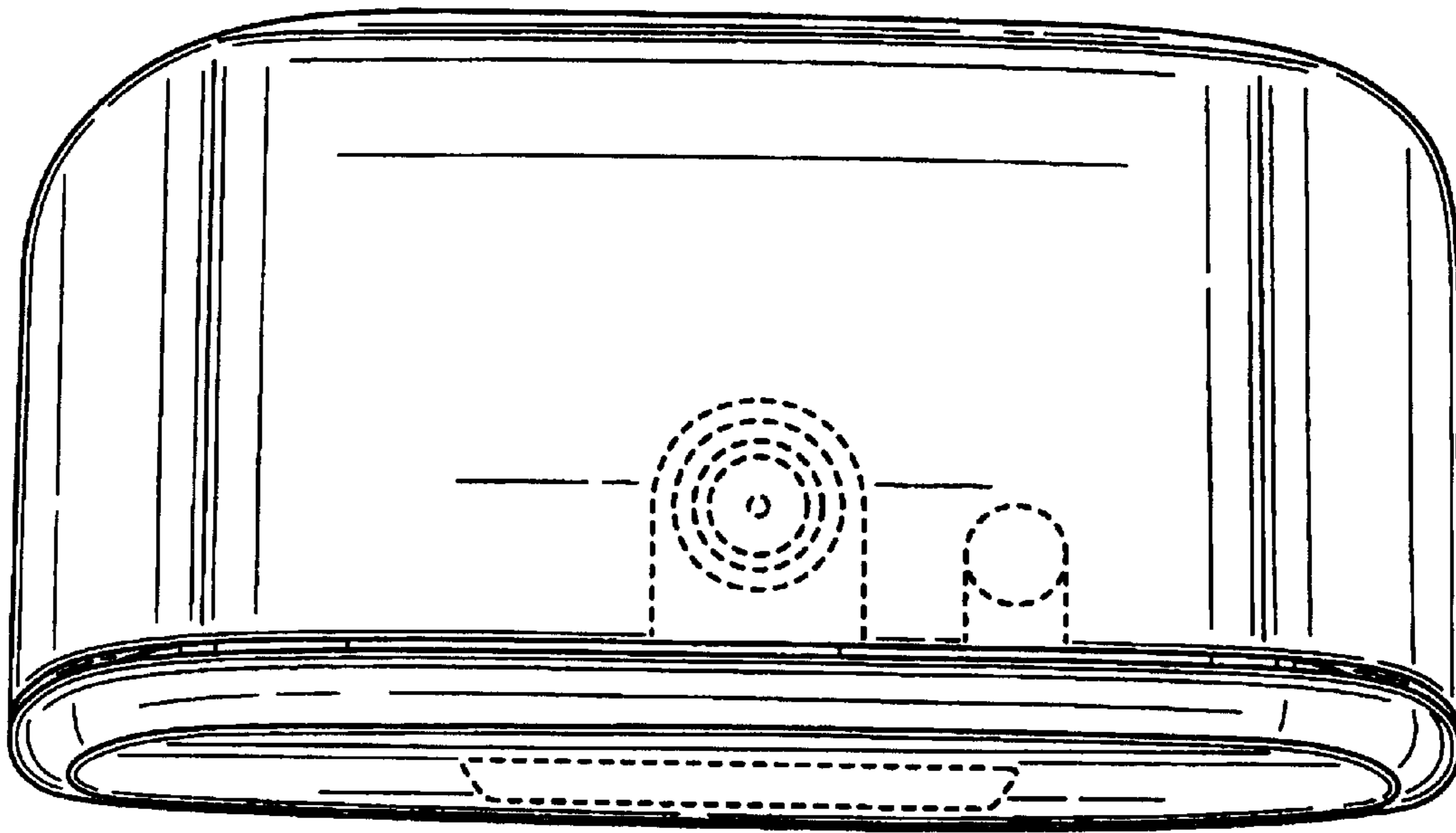


FIG. 7

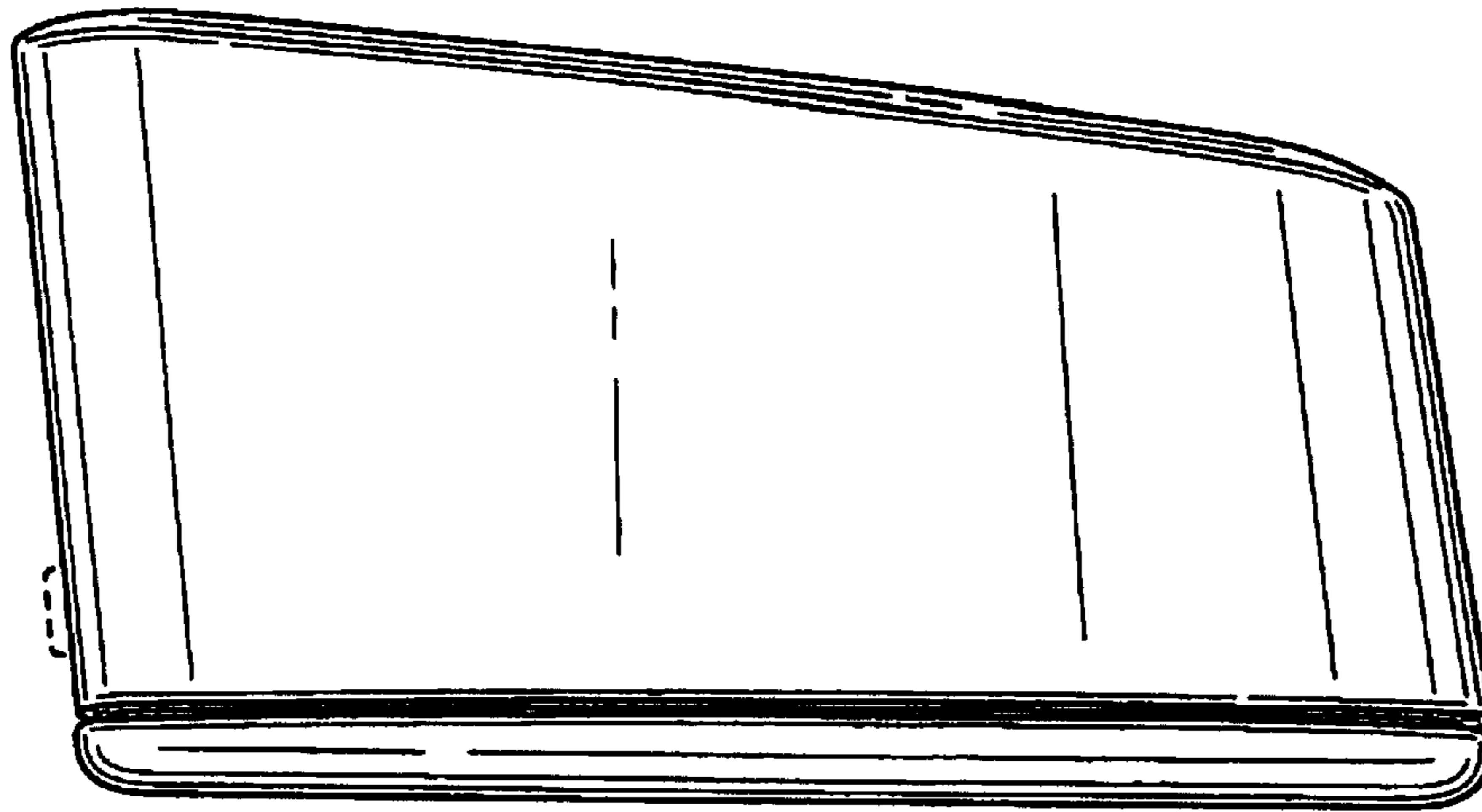


FIG. 8

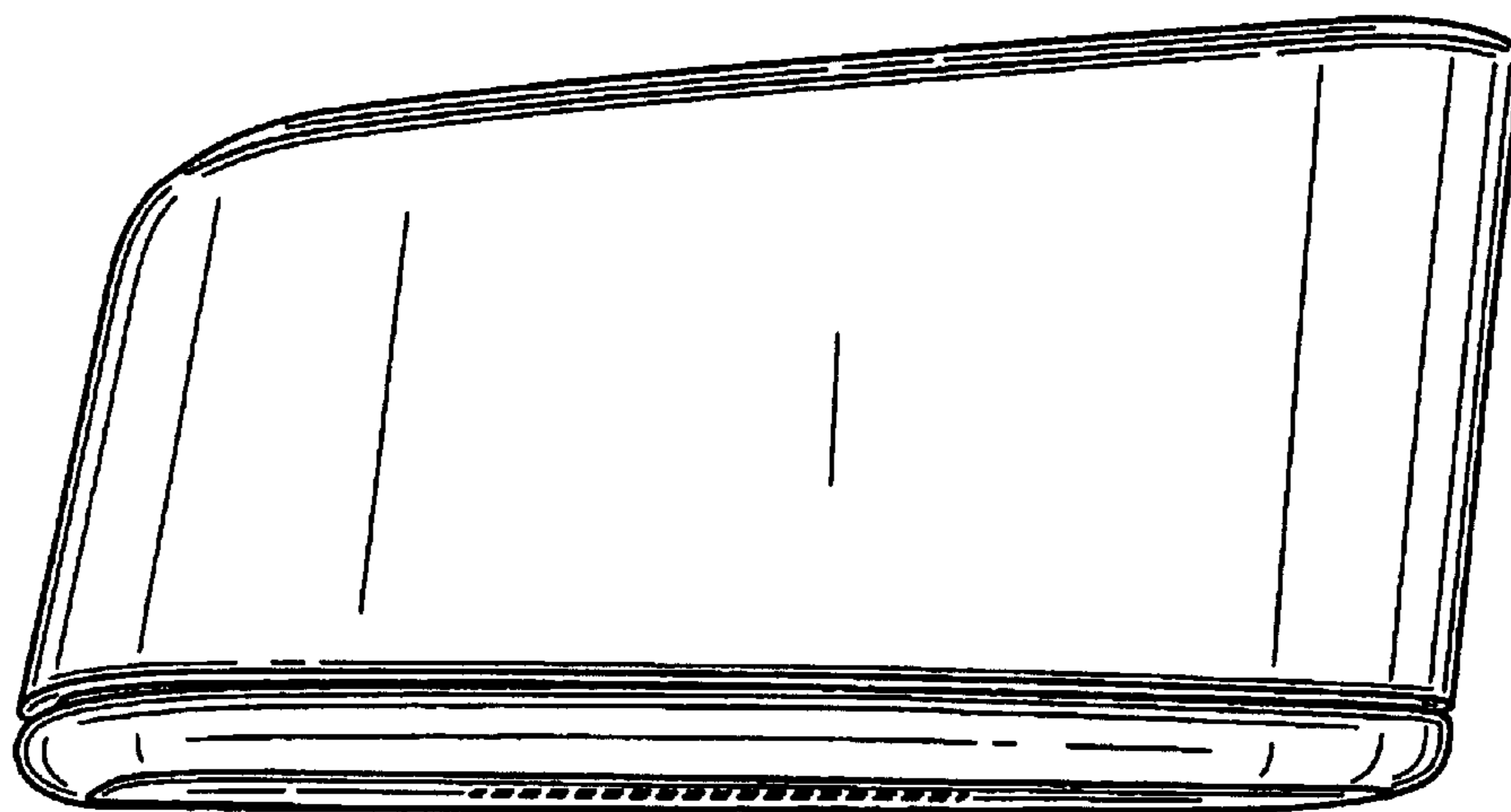


FIG. 9