



US00D535613S

(12) **United States Design Patent**
Varalo et al.

(10) **Patent No.:** **US D535,613 S**

(45) **Date of Patent:** **** Jan. 23, 2007**

(54) **BATTERY CHARGER**

(76) Inventors: **Marcel Varalo**, 136 Rosehill
Boulevard, Oshawa, Ontario (CA), L1J
5M9; **Bonnie Varalo**, 136 Rosehill
Boulevard, Oshawa, Ontario (CA), L1J
5M9

(**) **Term:** **14 Years**

(21) **Appl. No.:** **29/212,918**

(22) **Filed:** **Sep. 10, 2004**

(51) **LOC (8) Cl.** **13-02**

(52) **U.S. Cl.** **D13/108**

(58) **Field of Classification Search** D13/107-110,
D13/118-119, 184; D14/251, 253, 432, 434;
320/107-115; 455/573

See application file for complete search history.

(56) **References Cited**

U.S. PATENT DOCUMENTS

D278,999 S * 5/1985 Zimmerman D13/184
D287,006 S * 12/1986 Fletcher et al. D13/184
D297,633 S * 9/1988 Peroni D13/184
4,786,851 A 11/1988 Fuji et al.

D339,563 S * 9/1993 Usami D13/107
5,814,906 A * 9/1998 Spencer et al. 307/150
5,905,356 A 5/1999 Wells
6,043,626 A * 3/2000 Snyder et al. 320/113
D456,008 S * 4/2002 Kawanobe et al. D13/110
6,566,842 B1 5/2003 Kirkpatrick
D484,095 S * 12/2003 Stacey D13/110
2002/0190691 A1 * 12/2002 Chen 320/114

* cited by examiner

Primary Examiner—Alan P. Douglas

Assistant Examiner—Rosemary K. Tarcza

(74) *Attorney, Agent, or Firm*—Richard L. Mikesell

(57) **CLAIM**

The design for a battery charger, as shown and described.

DESCRIPTION

FIG. 1 is a Top Front perspective view of the design of the instant invention;

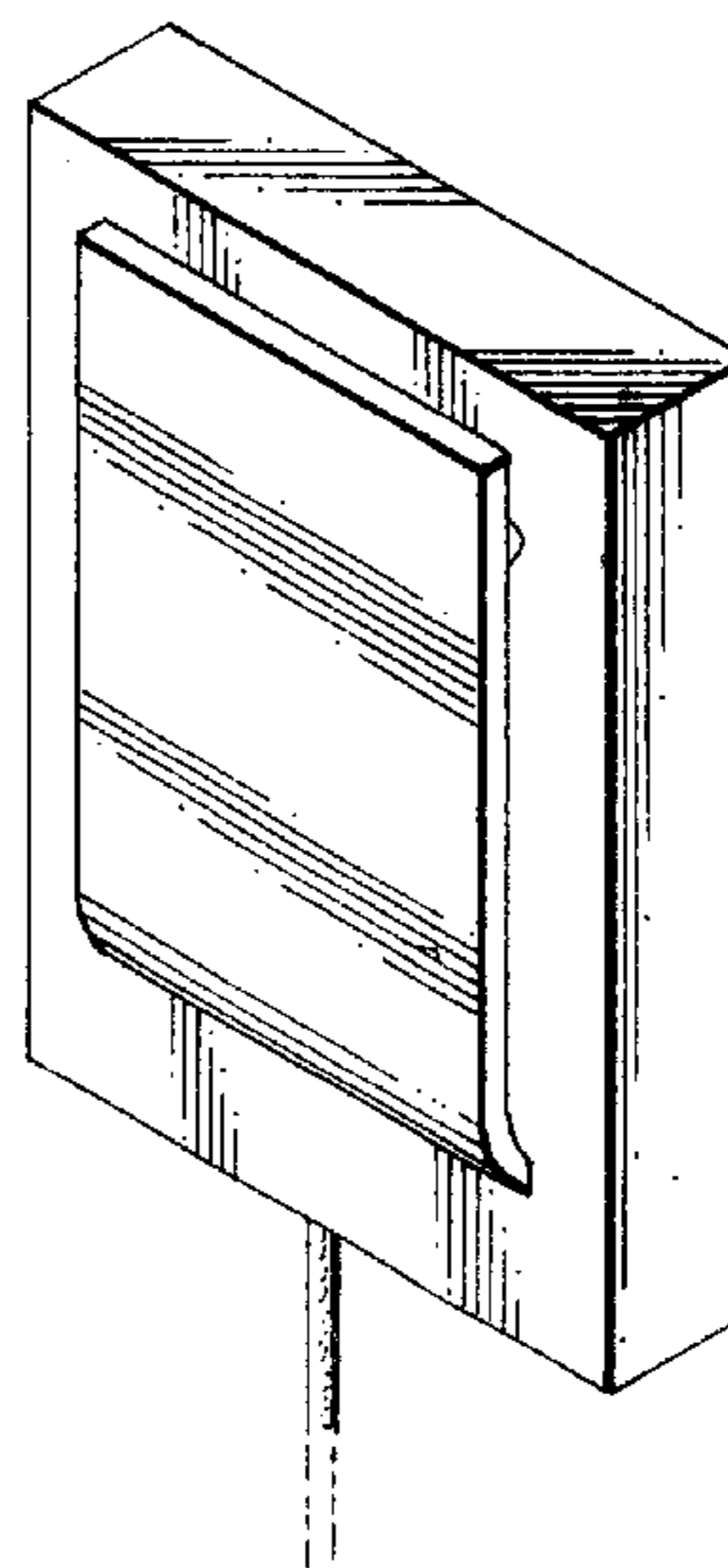
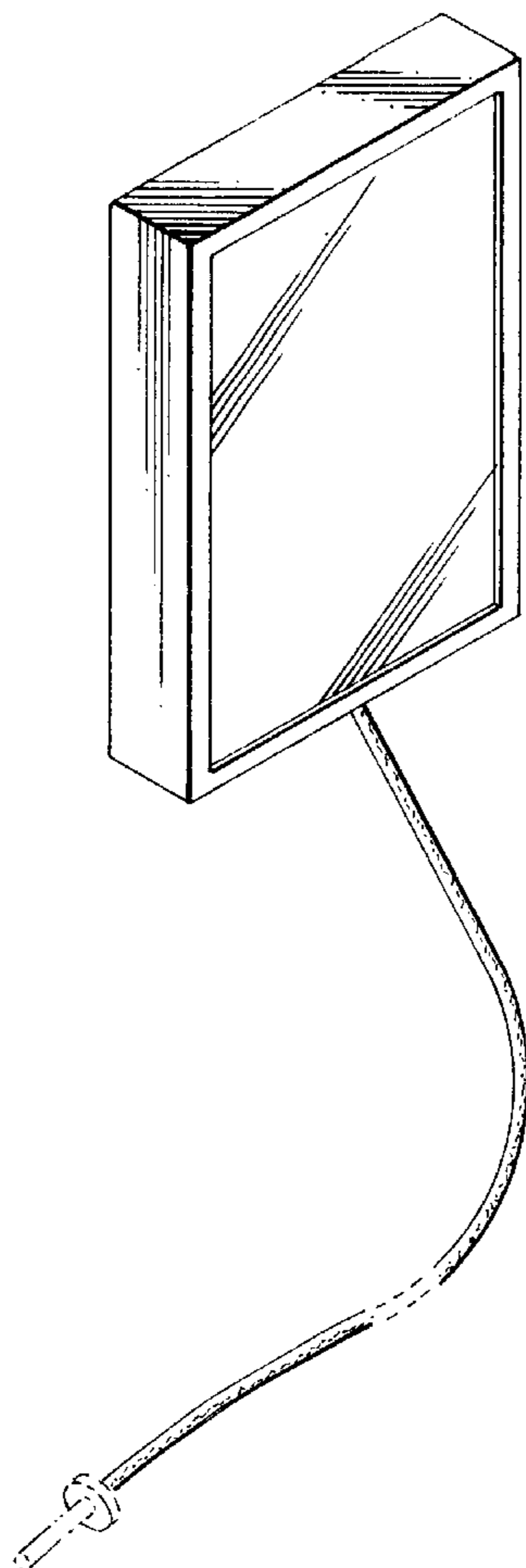
FIG. 2 is a Top Rear perspective view;

FIG. 3 is a Top Plan view;

FIG. 4 is a Bottom Plan view; and,

FIG. 5 is a Left Side view.

1 Claim, 1 Drawing Sheet



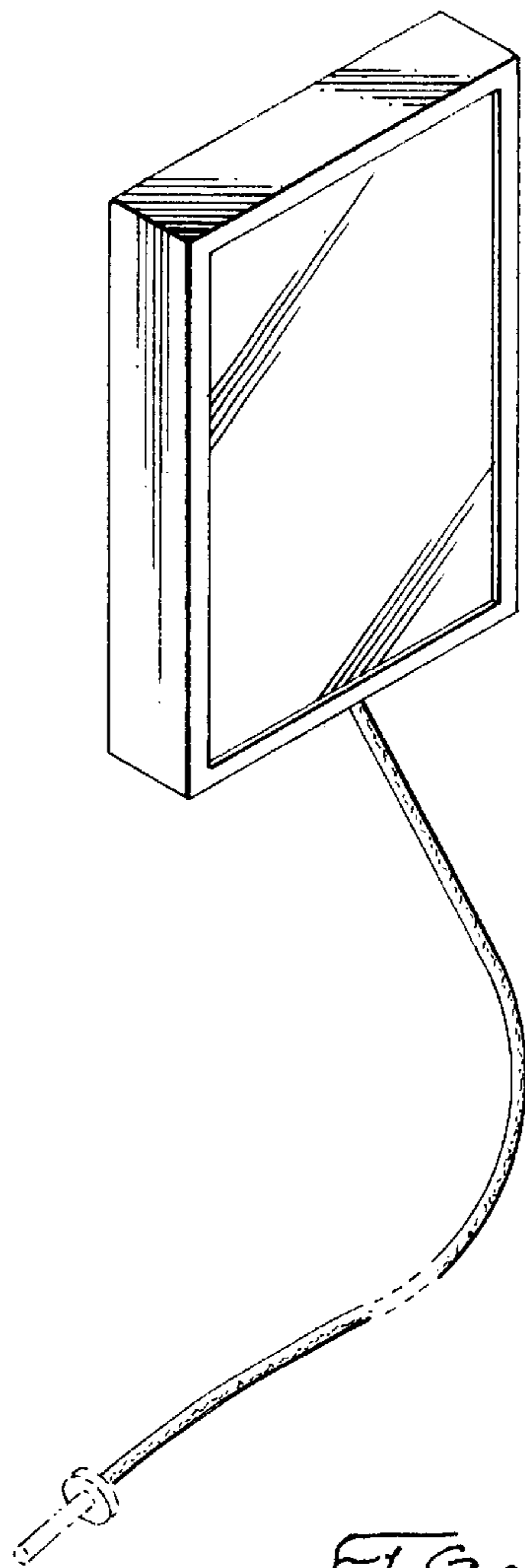


FIG. 1

FIG. 2

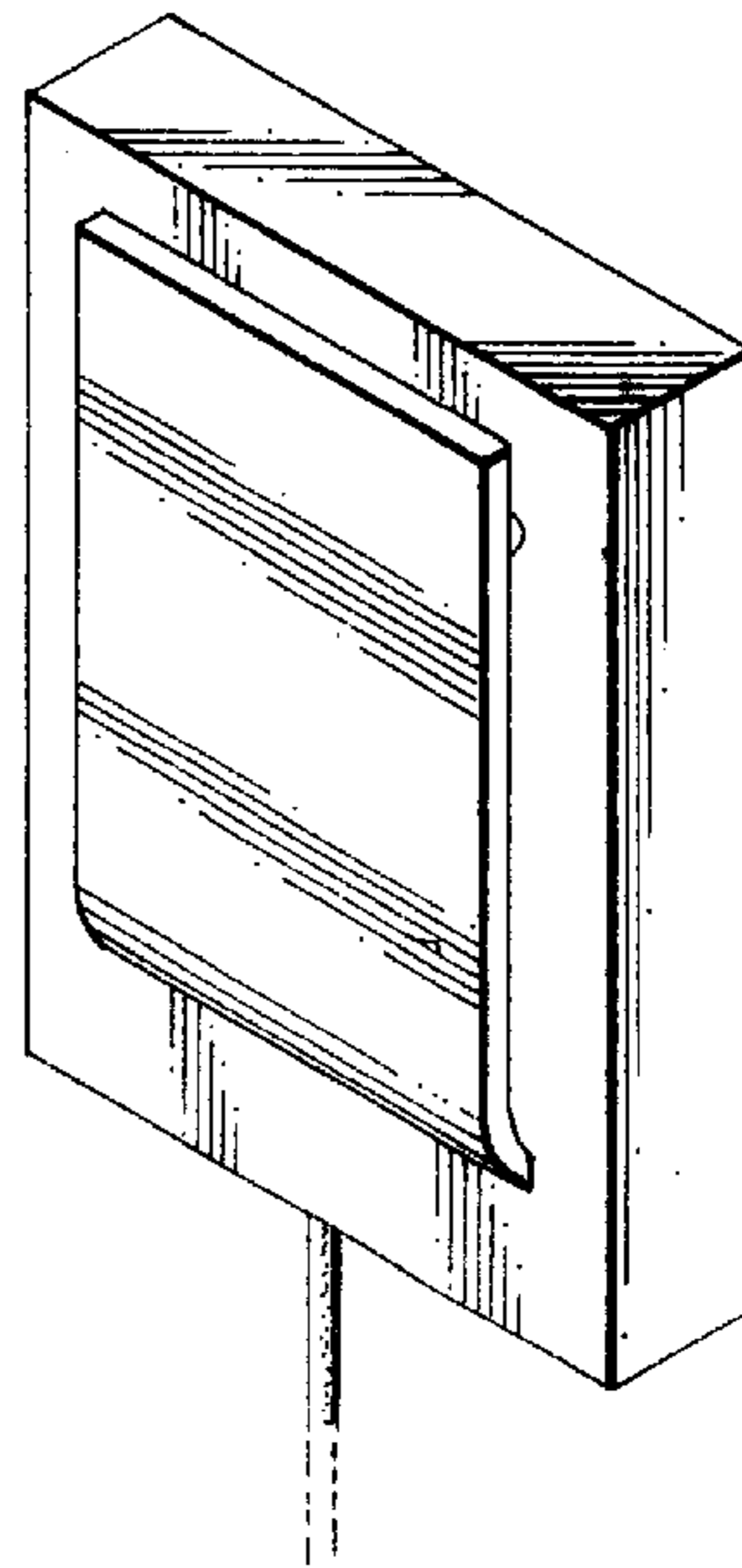


FIG. 5

FIG. 3

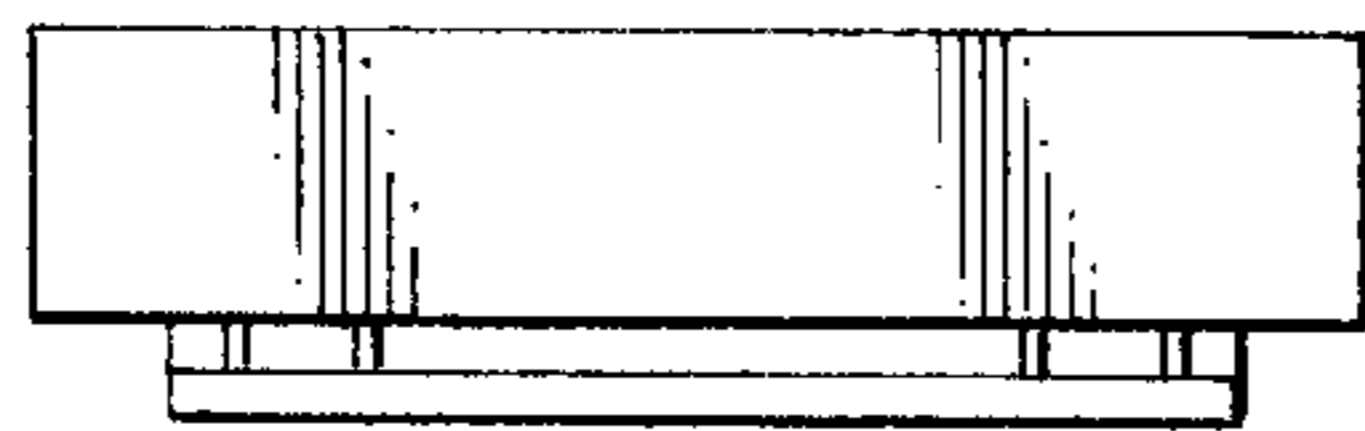


FIG. 4

