



US00D535612S

(12) **United States Design Patent**  
**Chien**

(10) **Patent No.:** **US D535,612 S**

(45) **Date of Patent:** **\*\* Jan. 23, 2007**

(54) **BATTERY CHARGING CRADLE OF A PERSONAL DIGITAL ASSISTANT**

(75) Inventor: **Chih-Ling Chien**, Fengshan (TW)

(73) Assignee: **High Tech Computer, Corp.**, Tao Yuan (TW)

(\*\*) Term: **14 Years**

(21) Appl. No.: **29/171,278**

(22) Filed: **Nov. 19, 2002**

(30) **Foreign Application Priority Data**

Oct. 24, 2002 (TW) ..... 91306059

(51) **LOC (8) Cl.** ..... **13-02**

(52) **U.S. Cl.** ..... **D13/107; D14/434**

(58) **Field of Classification Search** ..... D14/432, D14/434, 435, 356, 358, 142, 138, 149; D13/107, D13/108; 361/683, 686, 679-682, 724-727; 320/107-115

See application file for complete search history.

(56) **References Cited**

**U.S. PATENT DOCUMENTS**

D426,808 S \* 6/2000 Hsiao ..... D13/107

D436,576 S \* 1/2001 Herrmann et al. .... D13/107  
D440,936 S \* 4/2001 Burns ..... D13/108  
D460,971 S \* 7/2002 Sica et al. .... D14/434  
D463,361 S \* 9/2002 Ruohonen ..... D13/108  
D466,476 S \* 12/2002 Stratford ..... D13/108  
D466,511 S \* 12/2002 Croley et al. .... D14/434  
D469,097 S \* 1/2003 Liu ..... D14/434  
D474,736 S \* 5/2003 Sagawa ..... D13/108

\* cited by examiner

*Primary Examiner*—M. H. Tung

(74) *Attorney, Agent, or Firm*—J.C. Patents

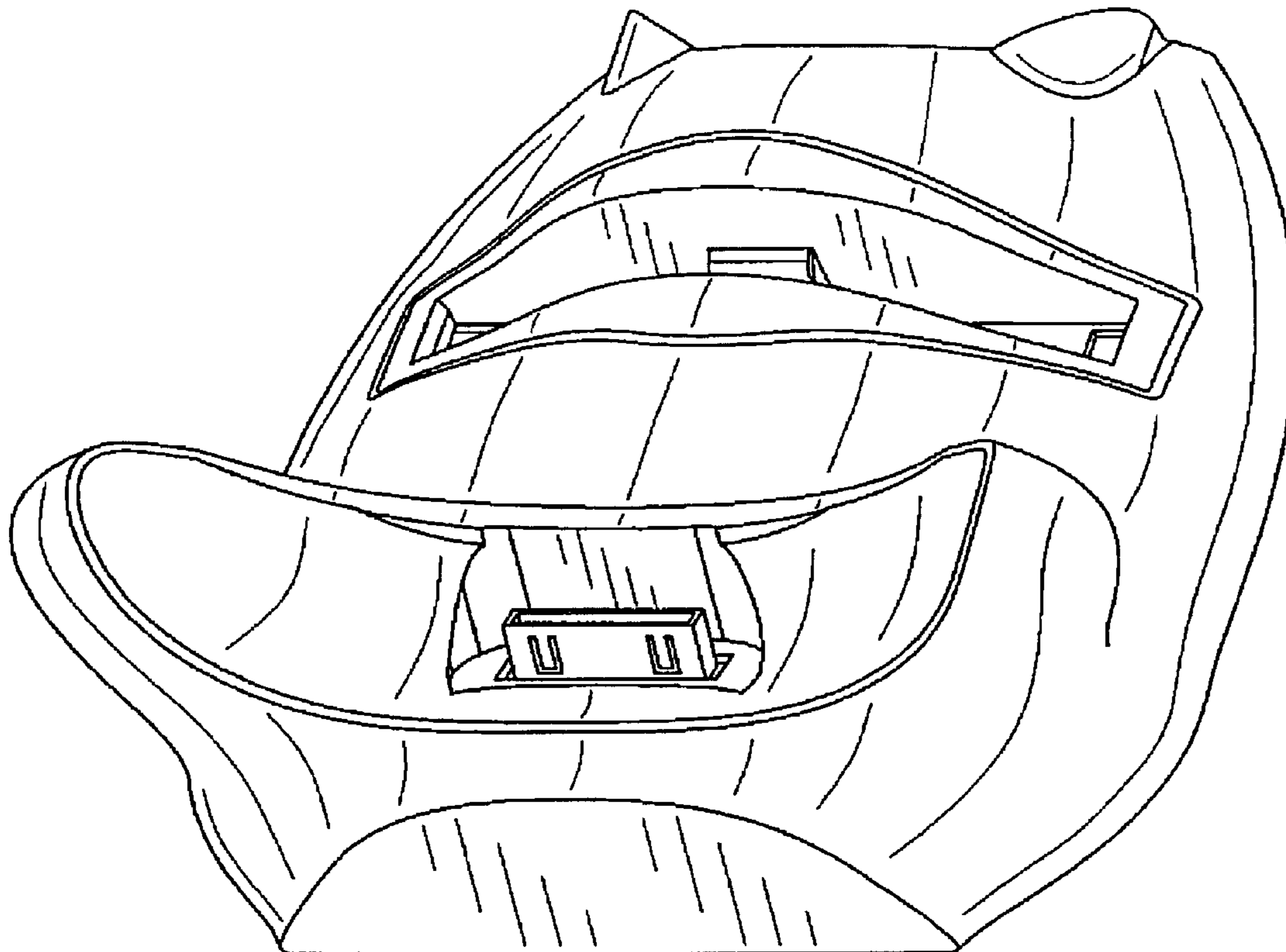
(57) **CLAIM**

The ornamental design for a battery charging cradle of a personal digital assistant, as shown and described.

**DESCRIPTION**

FIG. 1 is a perspective view of a battery charging cradle of a personal digital assistant;  
FIG. 2 is a front plan view thereof;  
FIG. 3 is a rear plan view thereof;  
FIG. 4 is a right side view thereof;  
FIG. 5 is a left side view thereof;  
FIG. 6 is a top plan view thereof; and,  
FIG. 7 is a bottom plan view thereof.

**1 Claim, 5 Drawing Sheets**



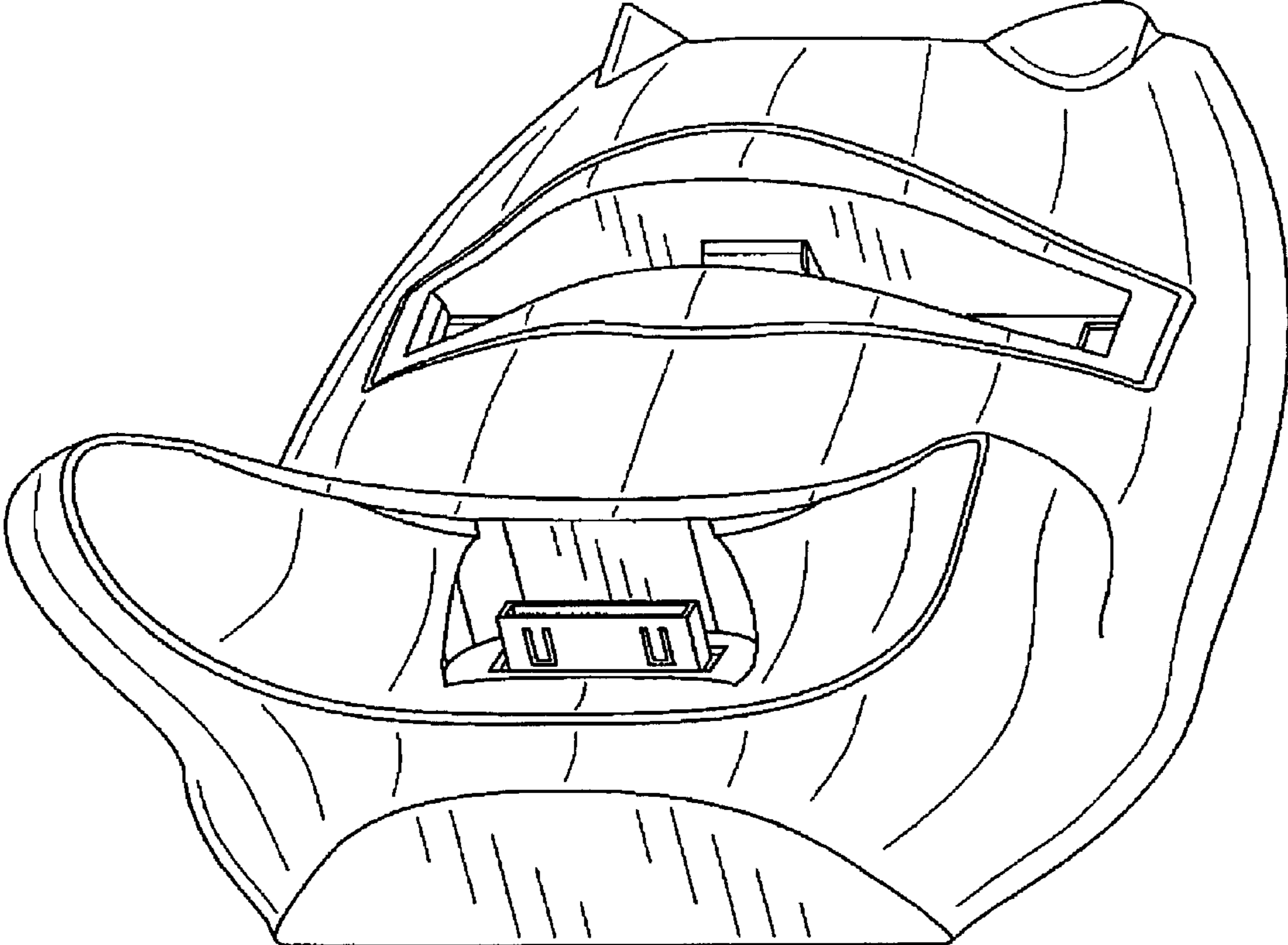


FIG. 1

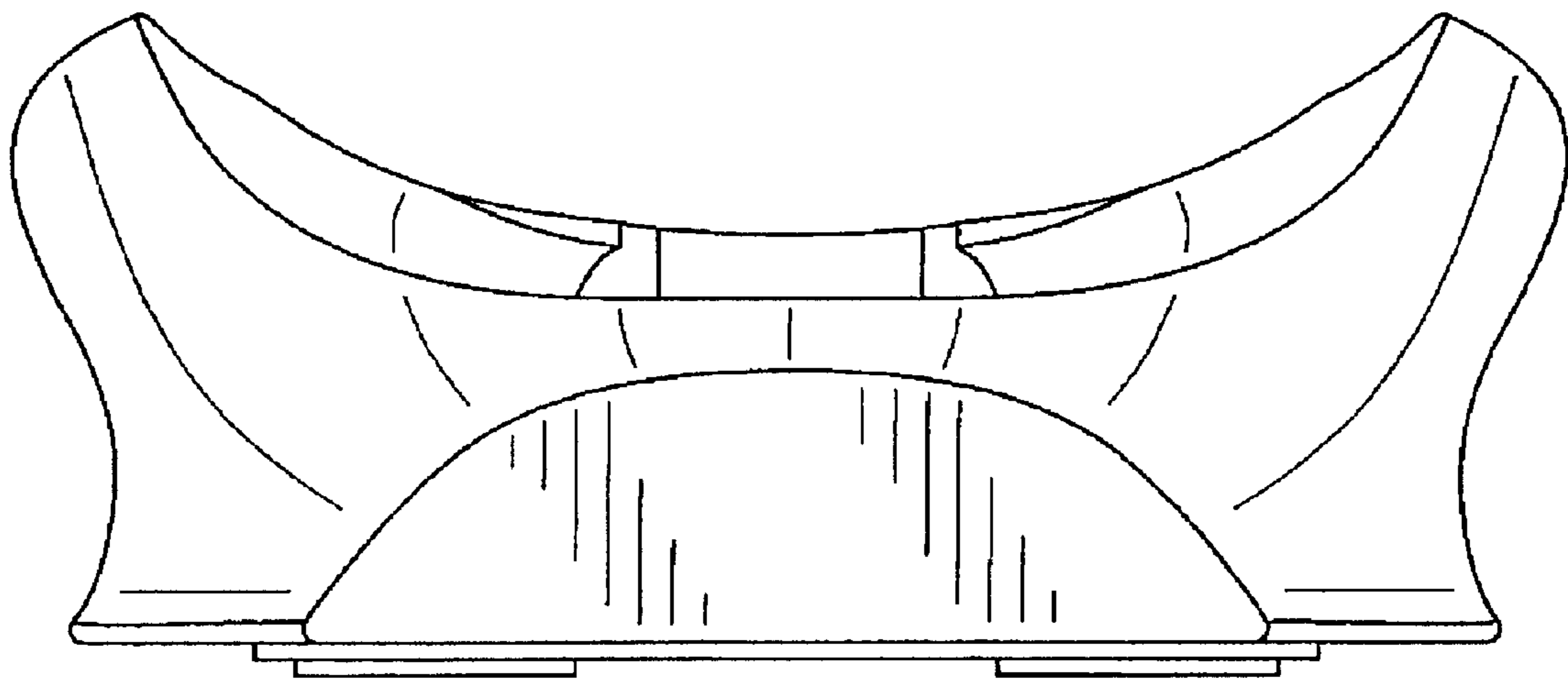


FIG. 2

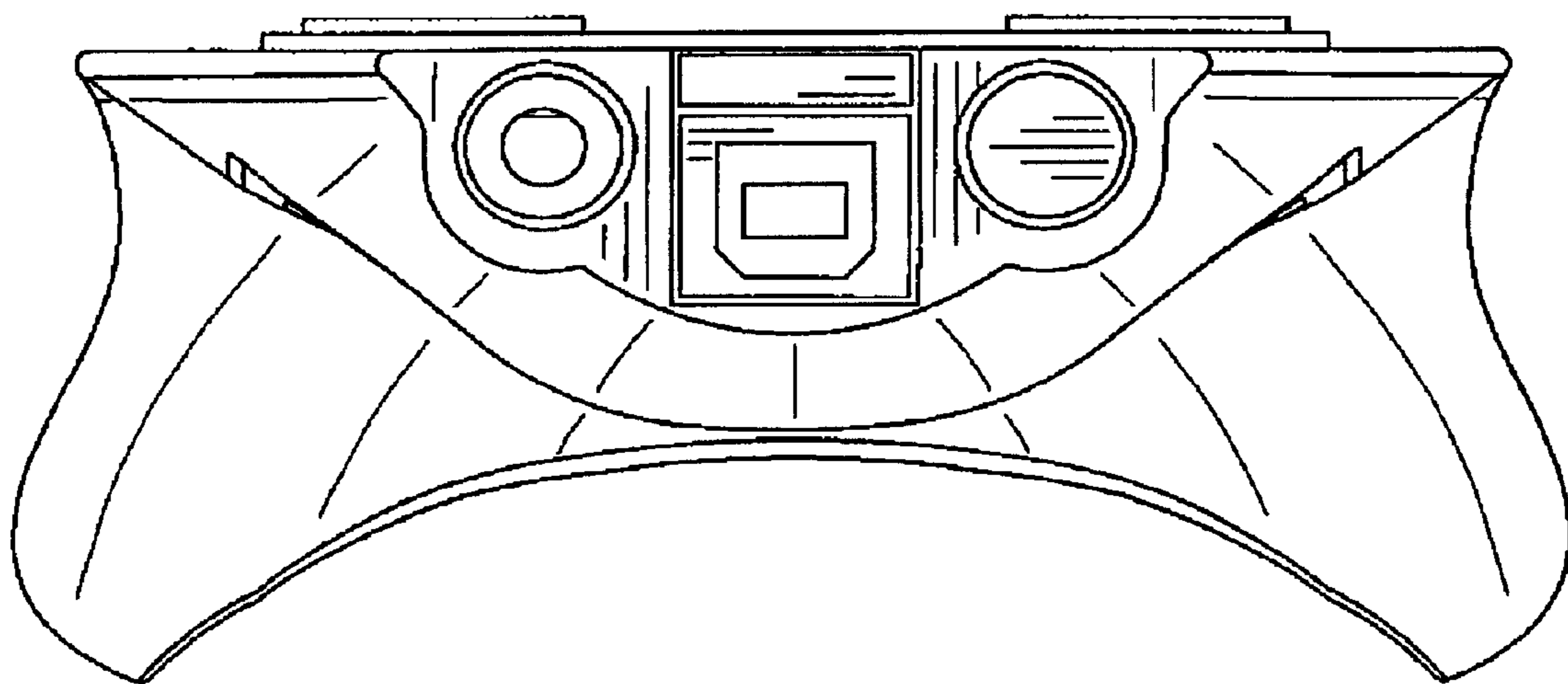


FIG. 3

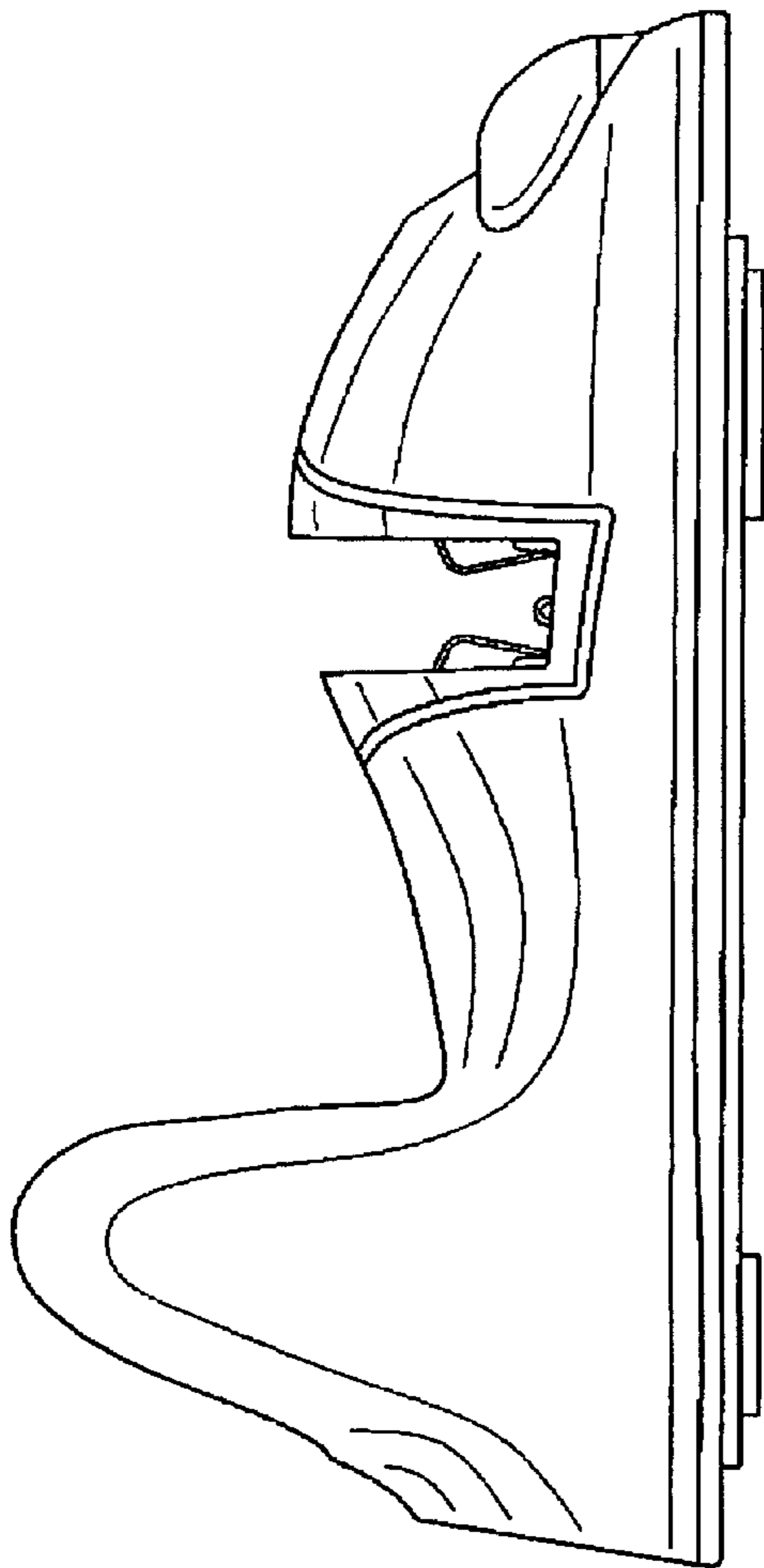


FIG. 4

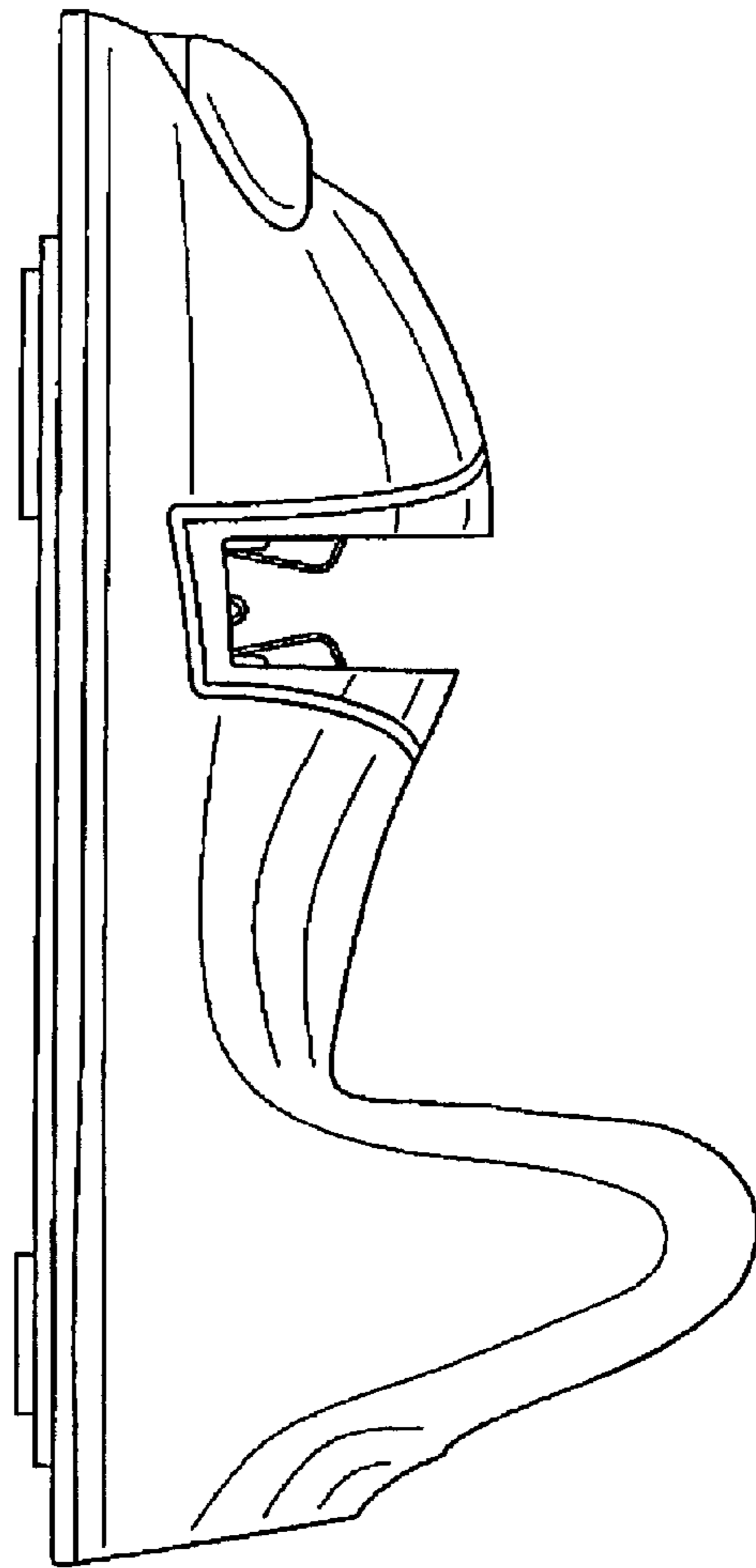


FIG. 5

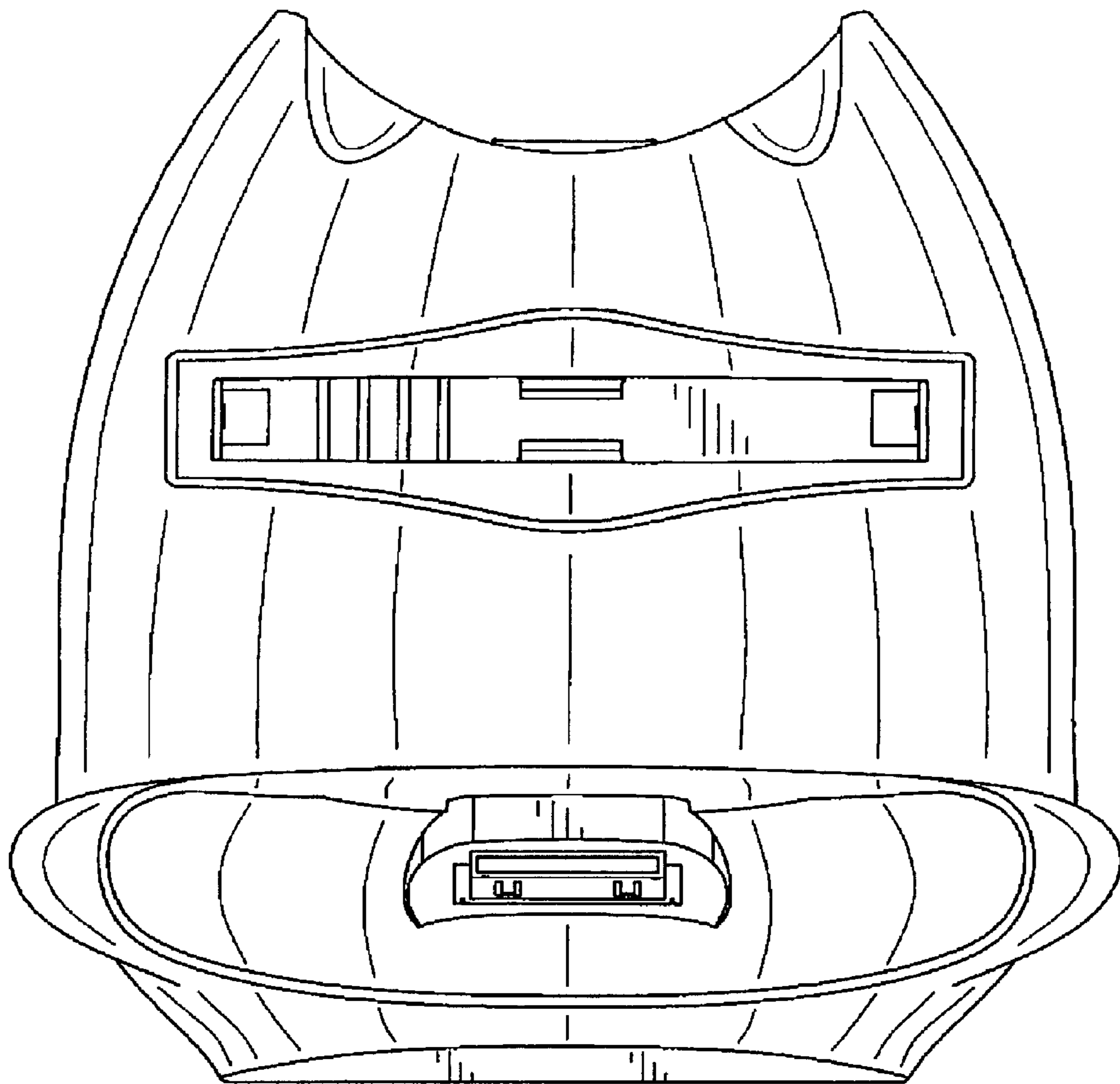


FIG. 6

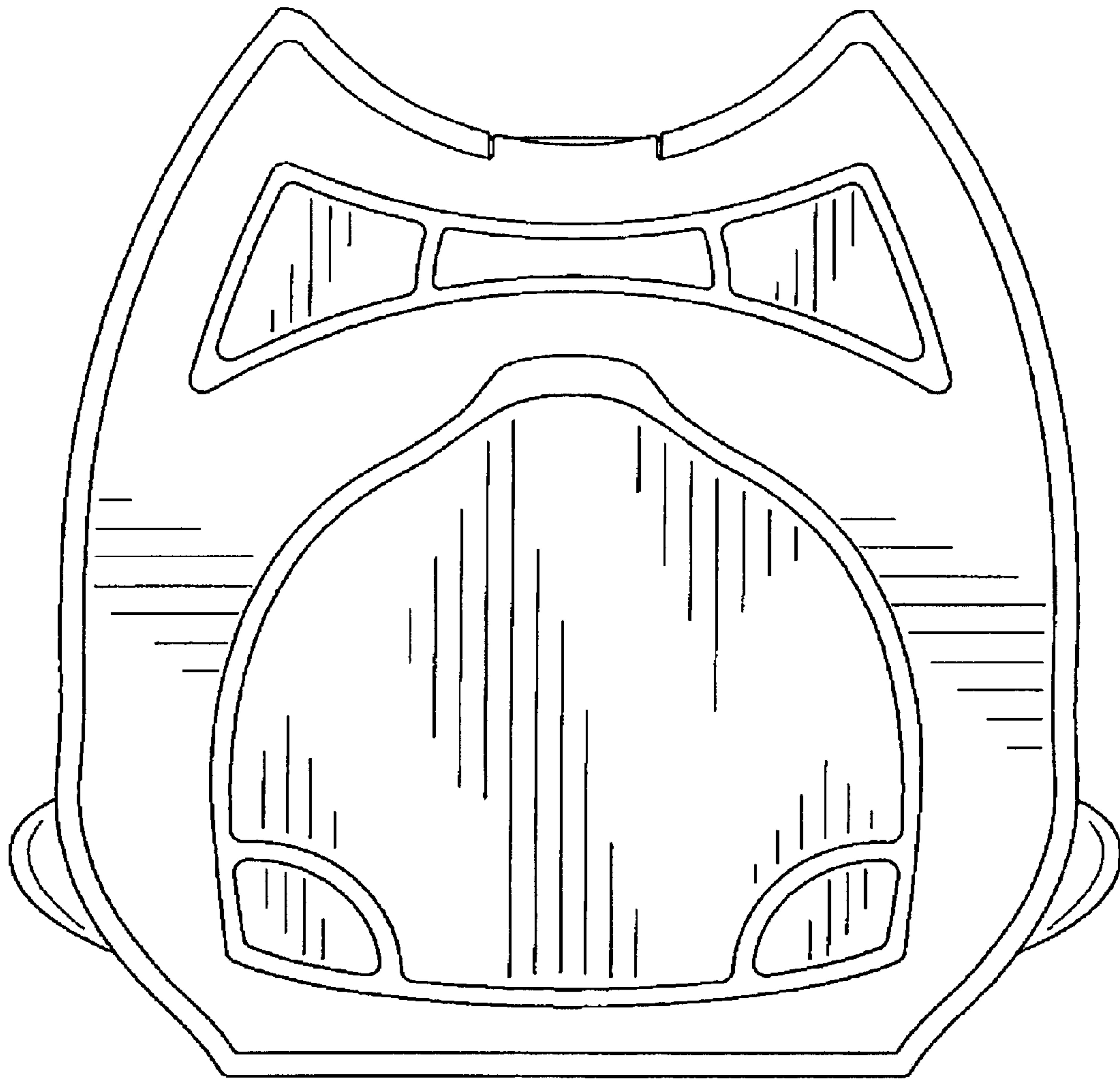


FIG. 7