



US00D535607S

(12) **United States Design Patent**
Awashima et al.

(10) **Patent No.:** **US D535,607 S**

(45) **Date of Patent:** **** Jan. 23, 2007**

(54) **PONTOON**

(75) Inventors: **Yuji Awashima**, Abiko (JP); **Kentaro Watanabe**, Kure (JP); **Kazuhiko Tsunoo**, Yokohama (JP)

(73) Assignee: **IHI Marine United Inc.**, Tokyo (JP)

(**) Term: **14 Years**

(21) Appl. No.: **29/241,474**

(22) Filed: **Oct. 28, 2005**

(30) **Foreign Application Priority Data**

Apr. 28, 2005 (JP) 2005-012934

(51) **LOC (8) Cl.** **12-06**

(52) **U.S. Cl.** **D12/317**

(58) **Field of Classification Search** D12/168,
D12/317; D21/803-805; 114/61.1, 61.11-61.19,
114/219, 283; 440/21, 35

See application file for complete search history.

(56) **References Cited**

U.S. PATENT DOCUMENTS

D187,824 S	*	5/1960	Bryan	D12/168
D209,432 S	*	11/1967	Gregory	D12/317
D217,310 S	*	4/1970	Duckett et al.	D12/168
D217,645 S	*	5/1970	Magi	D12/168
D256,449 S	*	8/1980	Upchurch	D12/317
D361,969 S	*	9/1995	Petersen	D12/168
D364,595 S	*	11/1995	Doyle	D12/168
D444,442 S	*	7/2001	Andrews	D12/318

D486,767 S	*	2/2004	Bulger	D12/172
D487,238 S	*	3/2004	Beyer-Olsen	D12/168
D520,935 S	*	5/2006	Schoell	D12/317

OTHER PUBLICATIONS

U.S. Appl. No. 29/241,473, filed Oct. 28, 2005, Awashima et al.

* cited by examiner

Primary Examiner—Holly H. Baynham

Assistant Examiner—Cynthia M. Chin

(74) *Attorney, Agent, or Firm*—Oblon, Spivak, McClelland, Maier & Neustadt, P.C.

(57) **CLAIM**

The ornamental design for a pontoon, as shown and described.

DESCRIPTION

FIG. 1 is a top perspective view of a pontoon;

FIG. 2 is a bottom perspective view thereof;

FIG. 3 is a front view thereof;

FIG. 4 is a left side view thereof;

FIG. 5 is a right side view thereof;

FIG. 6 is a top plan view thereof; and,

FIG. 7 is a bottom view thereof.

The broken lines immediately adjacent the shaded areas represent the bounds of the claim and all other broken lines are for illustrative purposes only. None of the broken lines form a part of the claimed design.

1 Claim, 3 Drawing Sheets

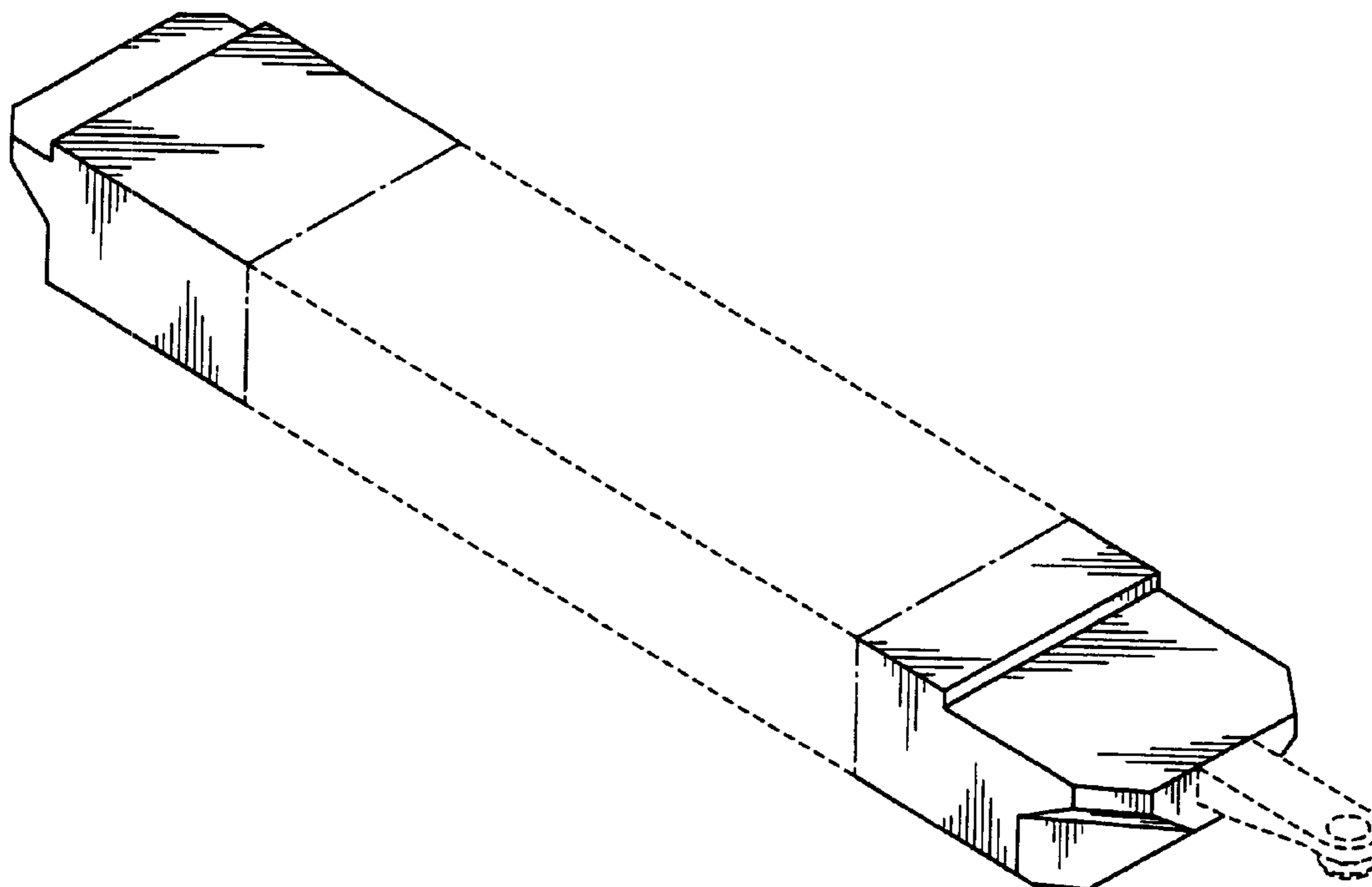


Fig.1

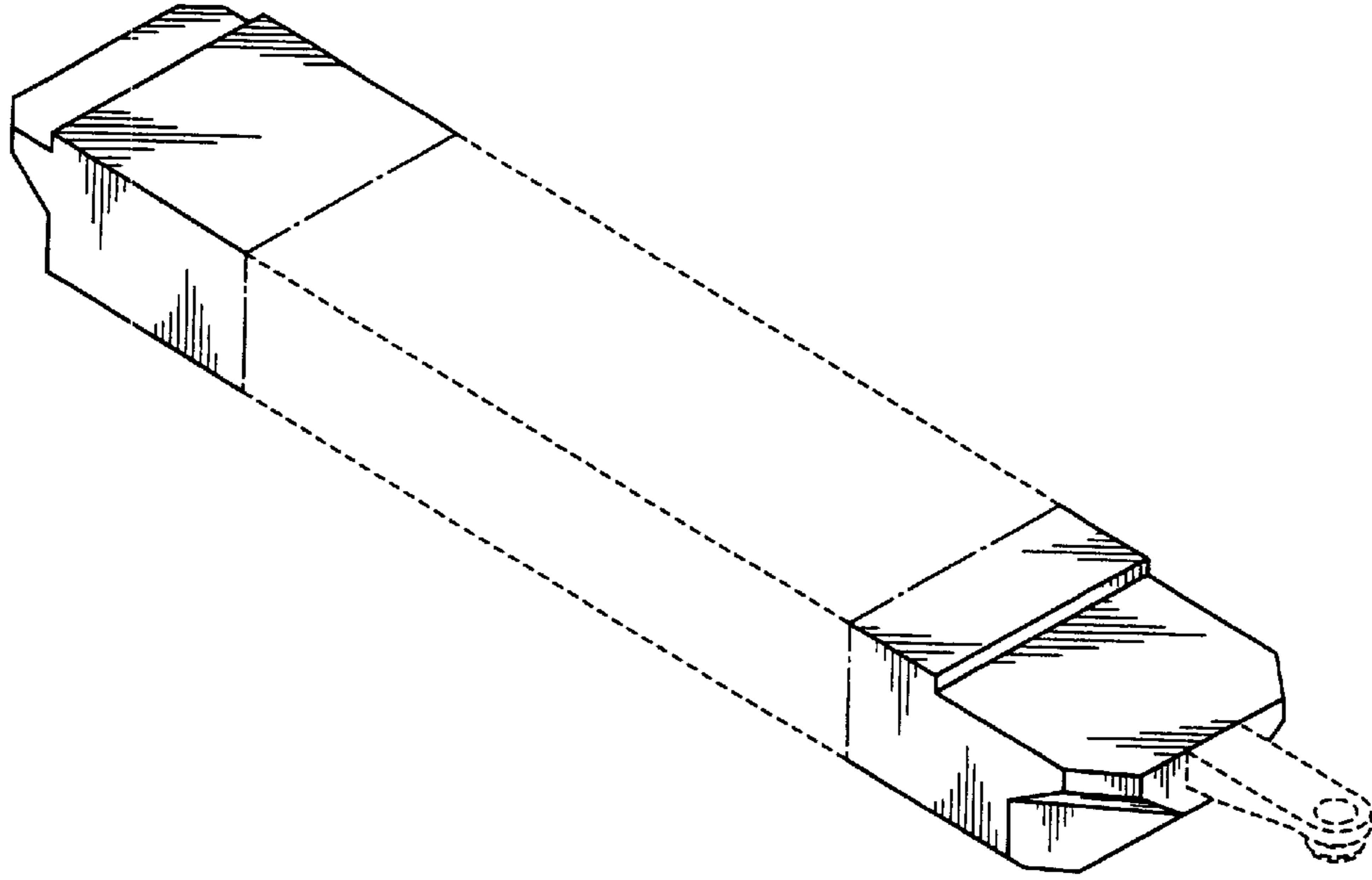


Fig.2

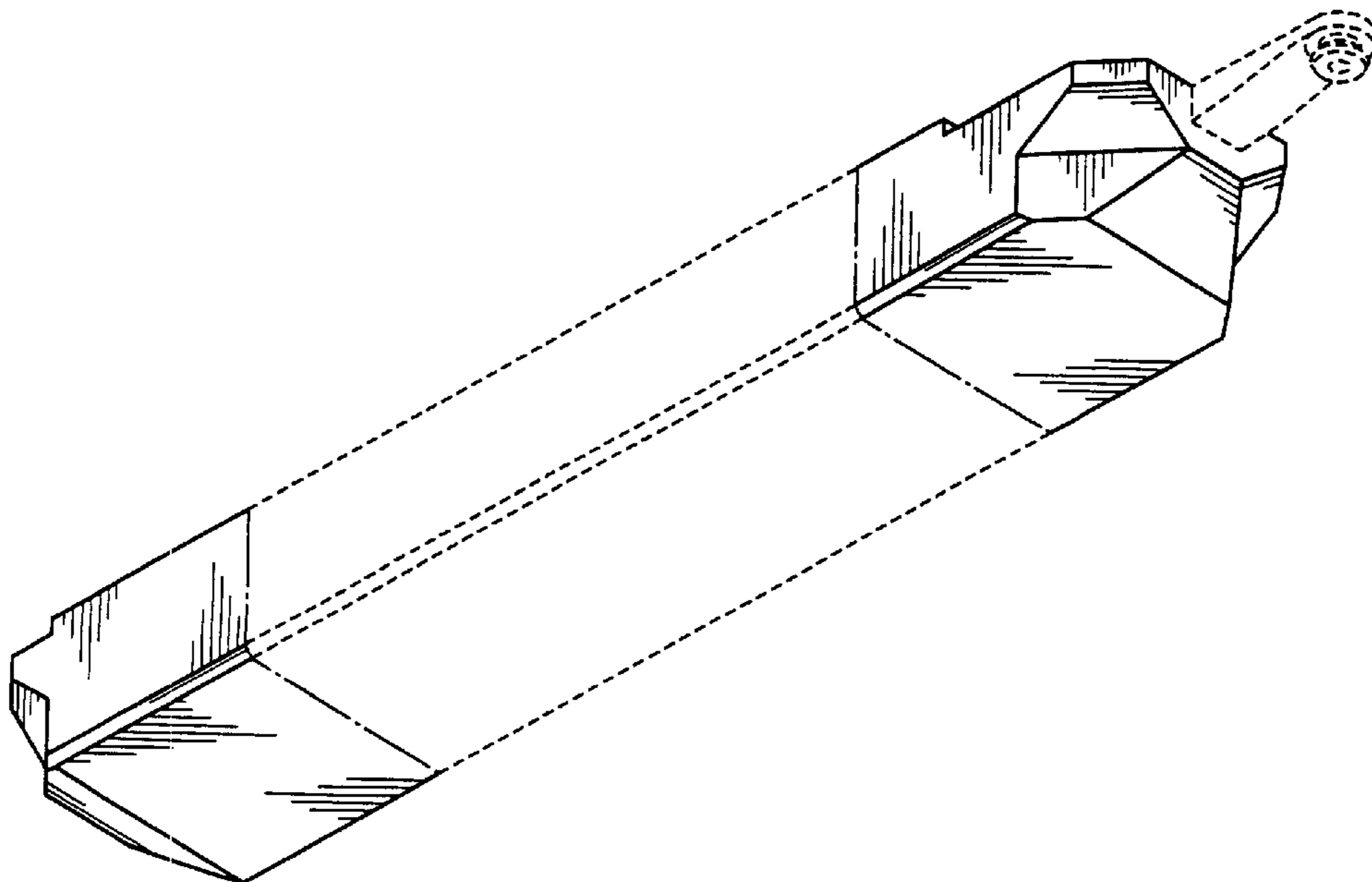


Fig.3

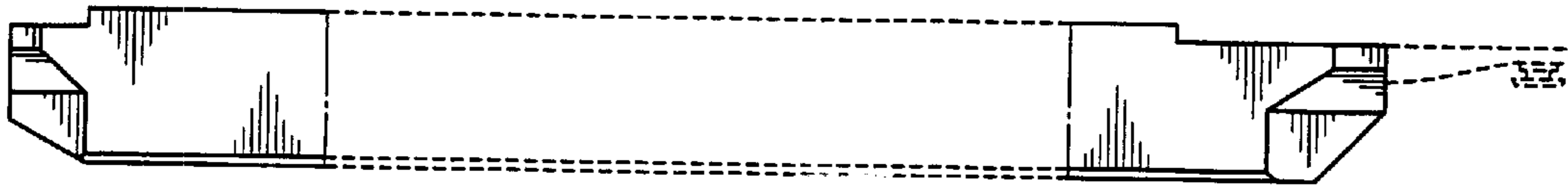


Fig.4

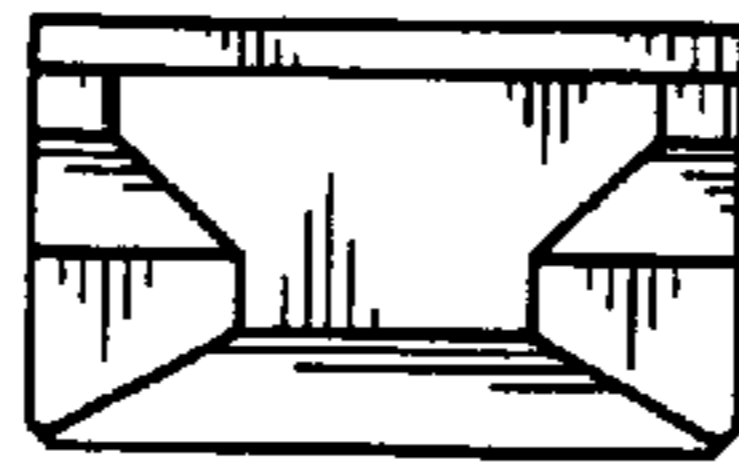


Fig.5

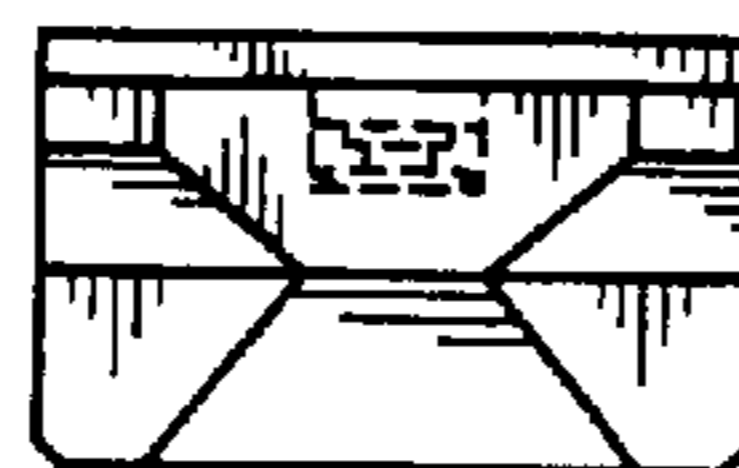


Fig.6



Fig.7

