

US00D535603S

(12) **United States Design Patent**
Guevara

(10) **Patent No.:** **US D535,603 S**

(45) **Date of Patent:** **** Jan. 23, 2007**

(54) **AUTOMOTIVE WHEEL FRONT FACE**

(75) Inventor: **Ricardo S. Guevara**, Plainview, NY
(US)

(73) Assignee: **Konig (America)**, Plainview, NY (US)

(**) Term: **14 Years**

(21) Appl. No.: **29/245,514**

(22) Filed: **Dec. 24, 2005**

(51) **LOC (8) Cl.** **12-16**

(52) **U.S. Cl.** **D12/209**

(58) **Field of Classification Search** D12/204-213;
301/37.101, 64.101, 65

See application file for complete search history.

(56) **References Cited**

U.S. PATENT DOCUMENTS

D371,761 S	*	7/1996	Abbott	D12/209
D376,125 S	*	12/1996	Fikse	D12/211
D416,849 S	*	11/1999	Weidhase	D12/211
D432,071 S	*	10/2000	Brown	D12/211
D444,438 S	*	7/2001	Brintouch	D12/209
D447,107 S	*	8/2001	Kuribayashi	D12/211
D451,067 S	*	11/2001	Frizzi	D12/211
D453,494 S	*	2/2002	Brown et al.	D12/211
D471,504 S	*	3/2003	Laengerer	D12/211

D489,033 S	*	4/2004	Lee	D12/211
D499,686 S	*	12/2004	Song	D12/211
D500,005 S	*	12/2004	van Hooydonk	D12/211
D500,978 S	*	1/2005	Echazabal	D12/209
D508,884 S	*	8/2005	Fridie	D12/209
D516,001 S	*	2/2006	Tirado	D12/209
D516,489 S	*	3/2006	Alonso	D12/211

* cited by examiner

Primary Examiner—Stacia Cadmus

(74) *Attorney, Agent, or Firm*—Hoffmann & Baron, LLP

(57) **CLAIM**

The ornamental design for an automotive wheel front face, as shown and described.

DESCRIPTION

FIG. 1 is a left perspective view of the automotive wheel front face, showing my new design;

FIG. 2 is another perspective view thereof;

FIG. 3 is a right perspective view thereof;

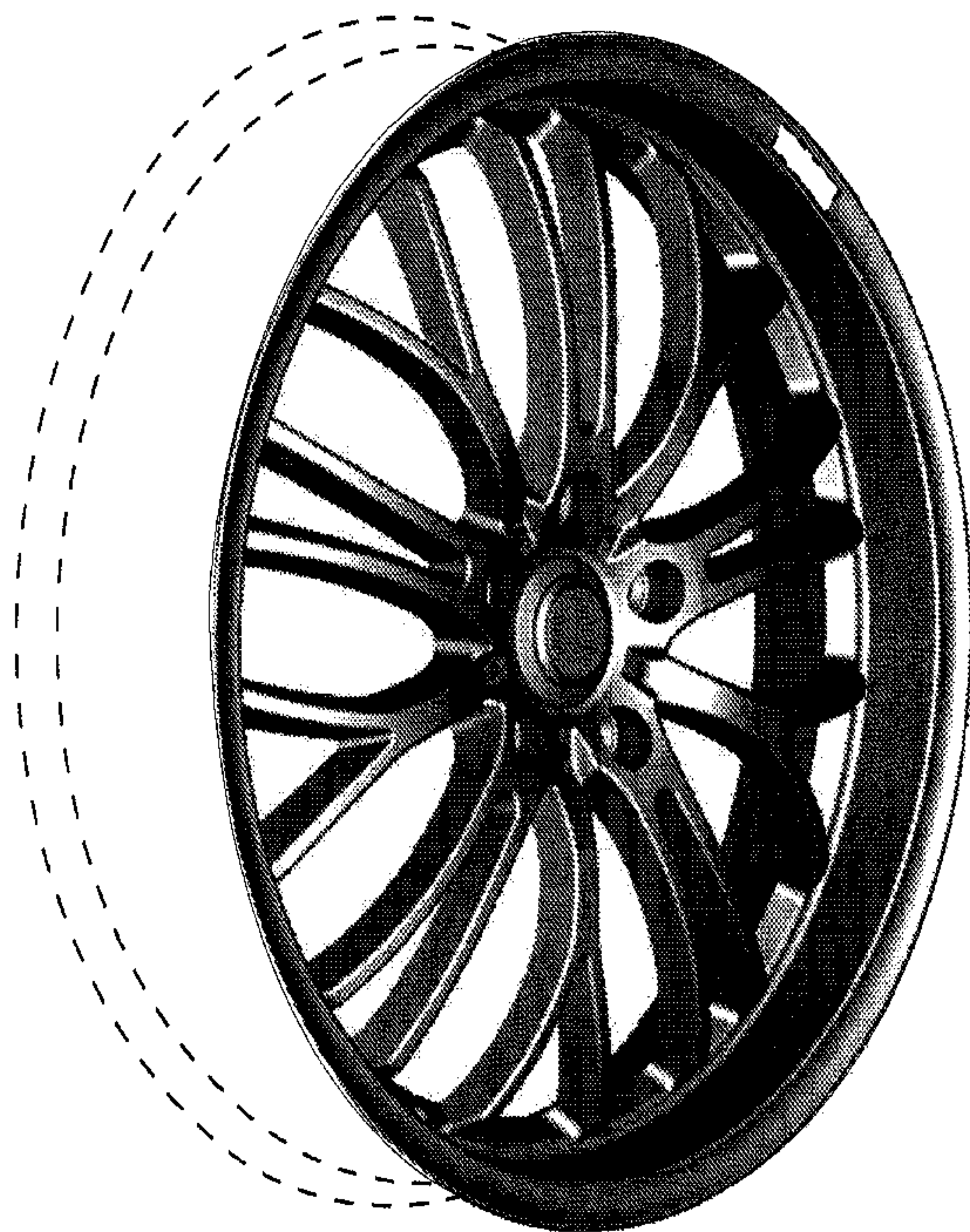
FIG. 4 is a front view thereof;

FIG. 5 is a reduced left perspective view thereof; and,

FIG. 6 is a reduced right side view thereof.

The broken line showing of the KONIG logo, the rectangular indentation and the outer rim is for illustrative purposes only and forms no part of the claimed design.

1 Claim, 6 Drawing Sheets



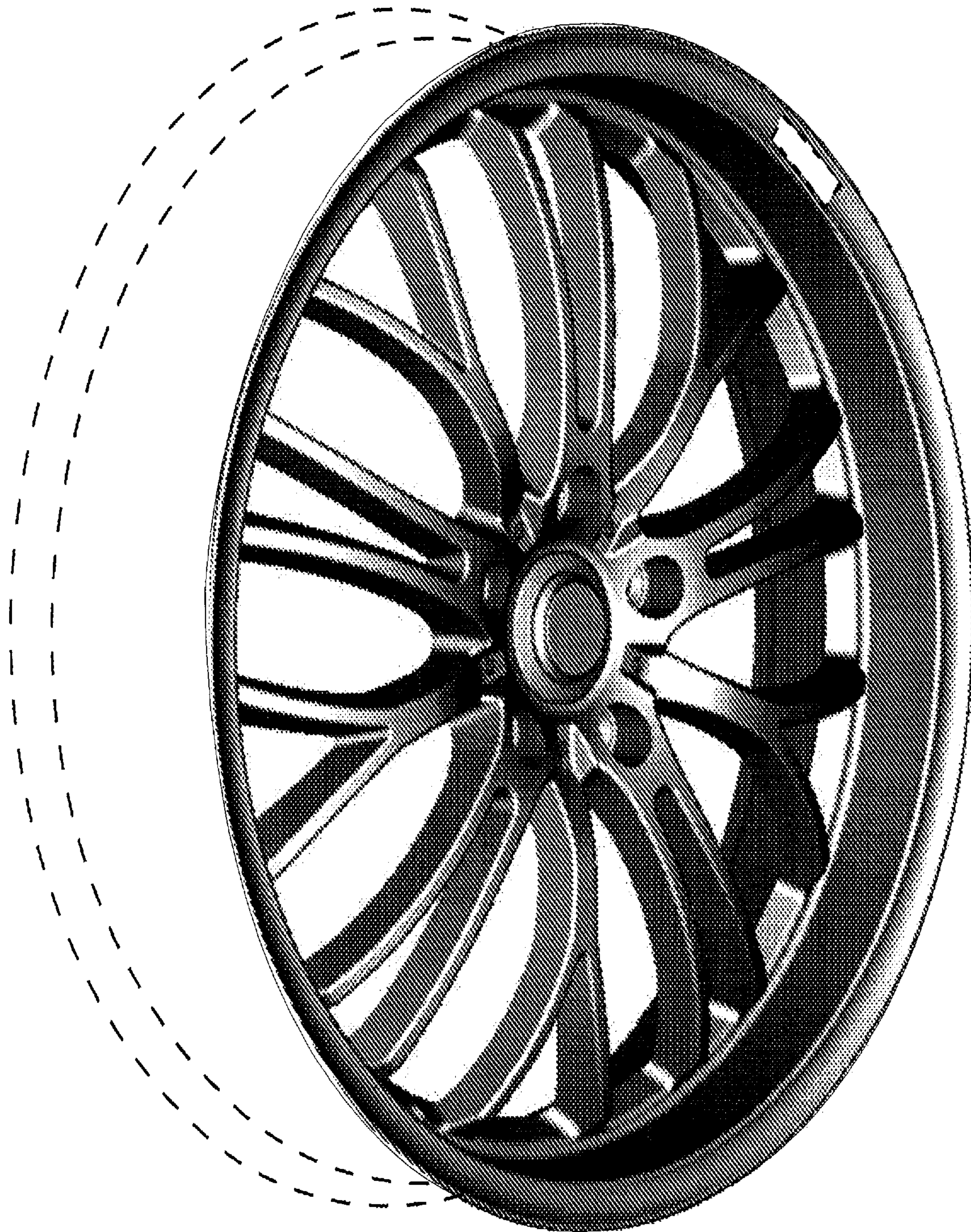


FIG 1.

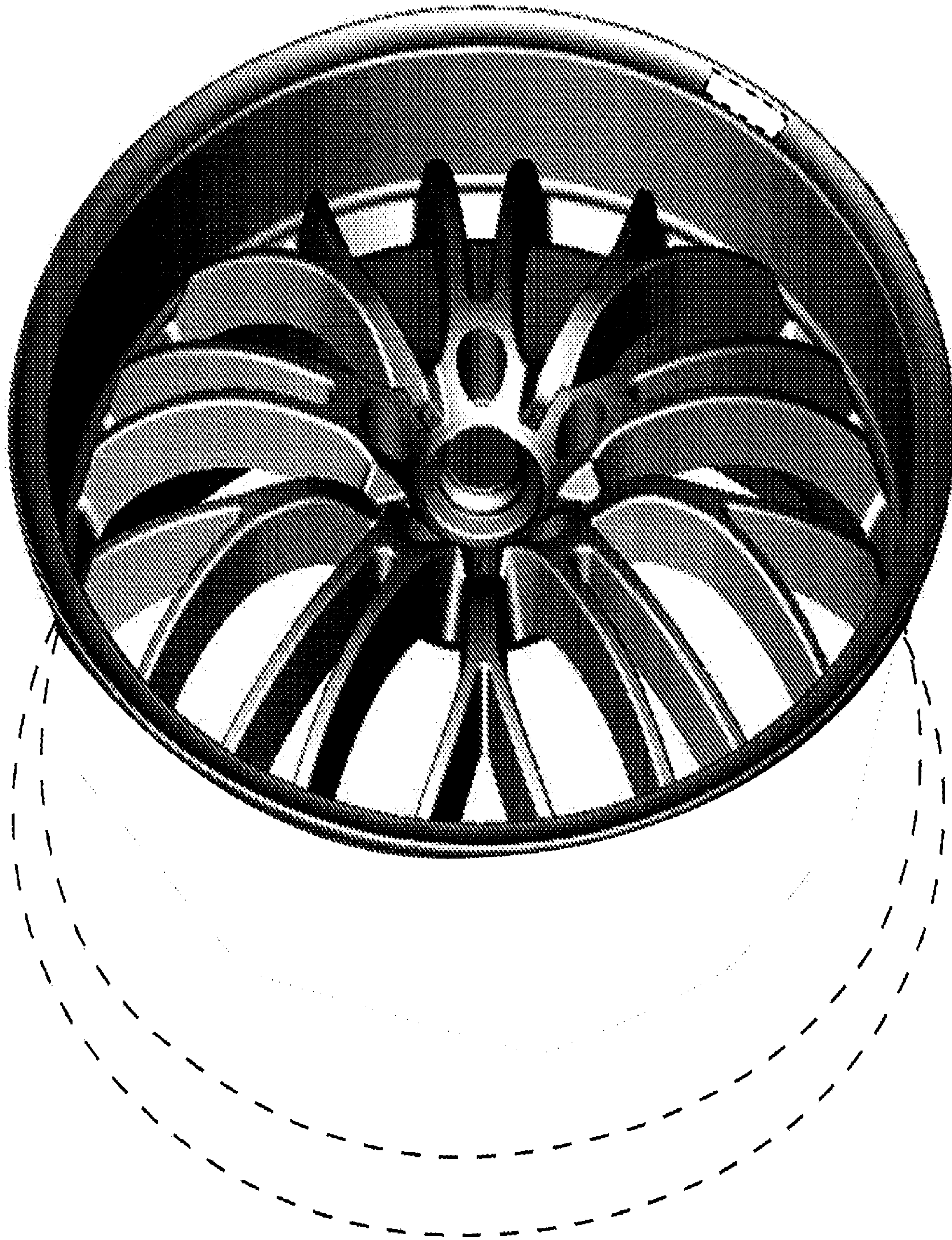


FIG 2.



FIG 3.



FIG. 4

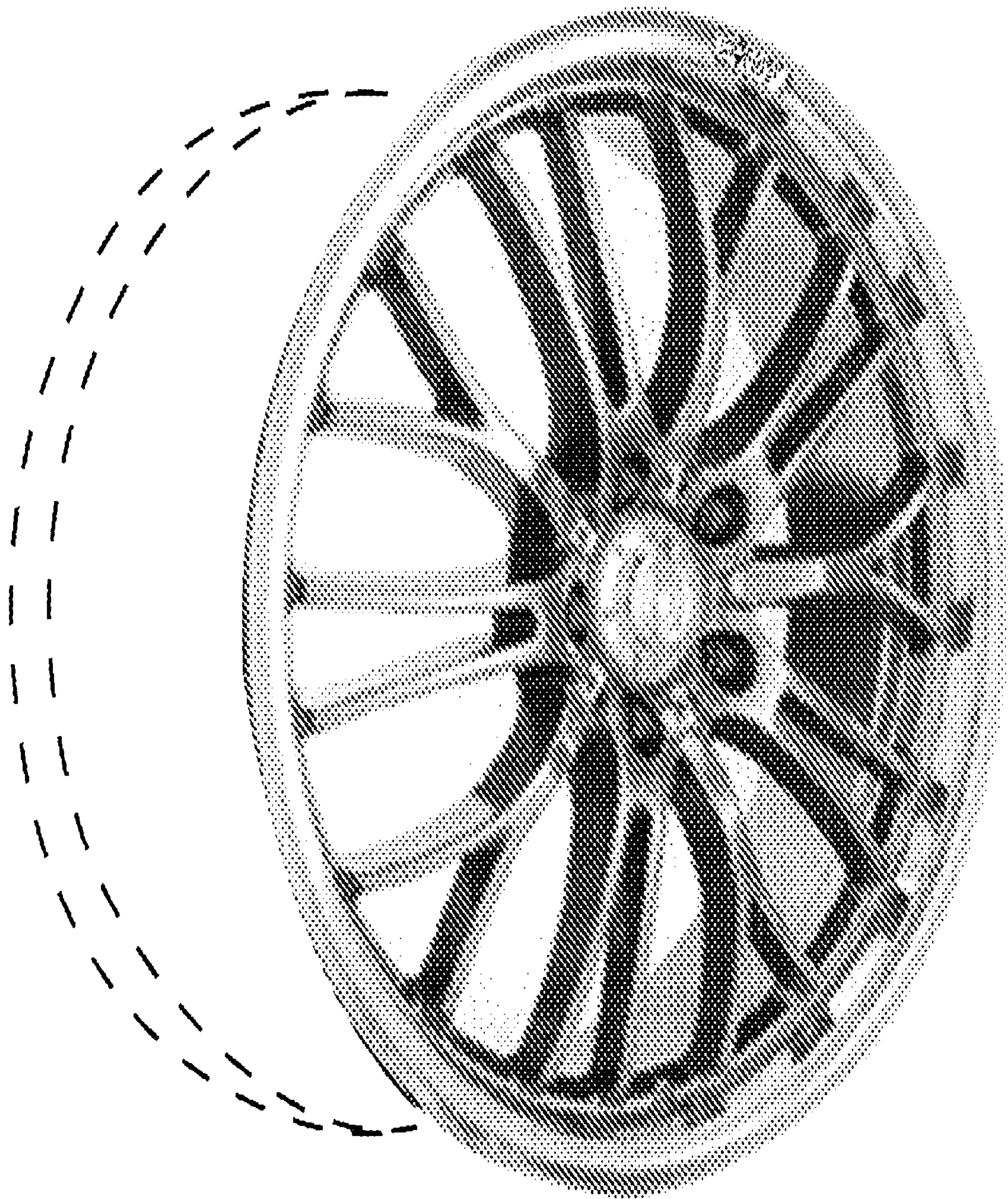


FIG. 5

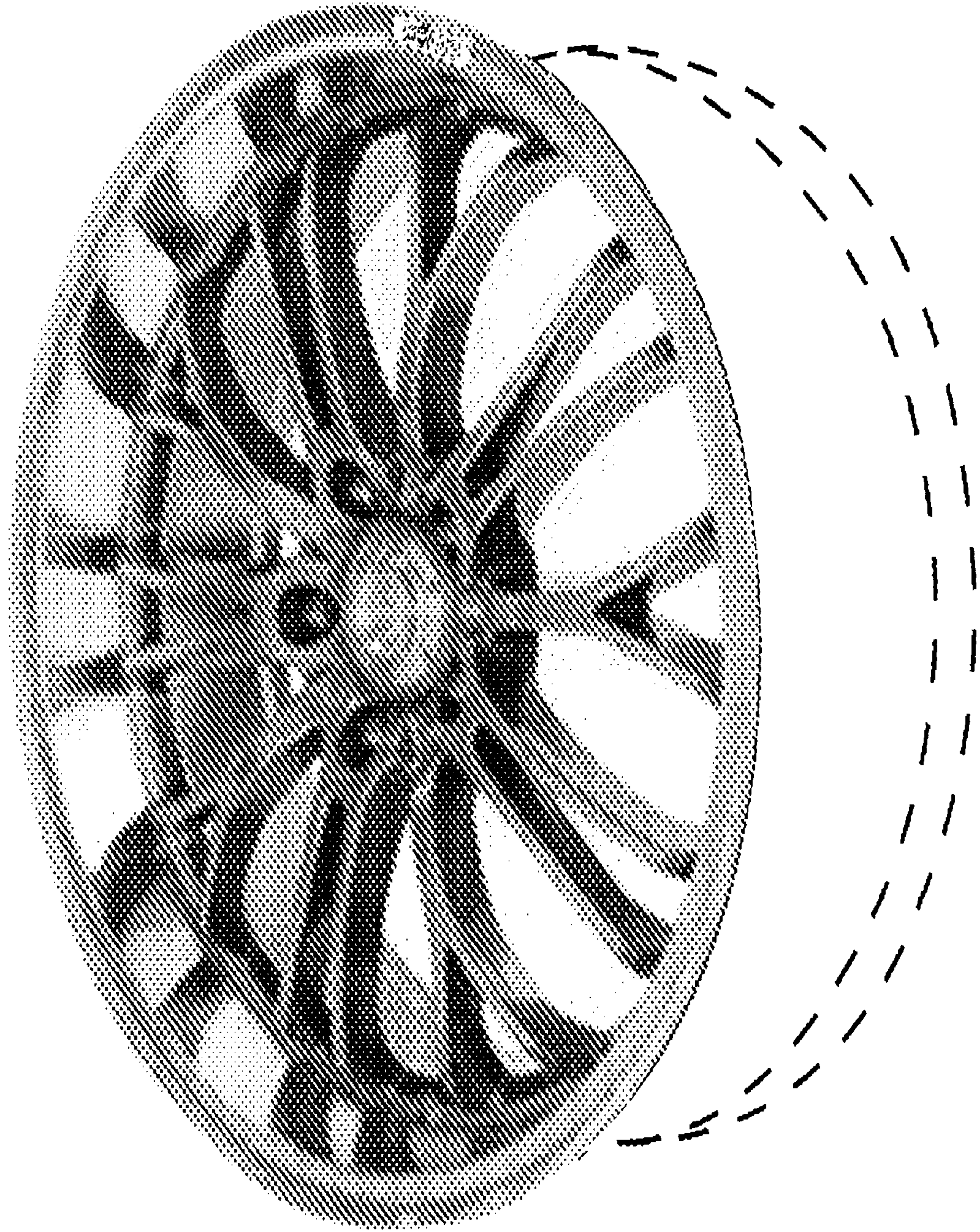


FIG. 6