



US00D535599S

(12) **United States Design Patent**  
**Woods**

(10) **Patent No.:** **US D535,599 S**

(45) **Date of Patent:** **\*\* Jan. 23, 2007**

(54) **SPOILER FOR AN AUTOMOTIVE DECK**

(76) Inventor: **Solomon Woods**, 11476 Newgate La.,  
Cincinnati, OH (US) 45240

(\*\*) Term: **14 Years**

(21) Appl. No.: **29/259,268**

(22) Filed: **May 5, 2006**

(51) **LOC (8) Cl.** ..... **12-08**

(52) **U.S. Cl.** ..... **D12/181**

(58) **Field of Classification Search** ..... D12/181,  
D12/412, 196, 414, 190, 414.1; 280/727,  
280/770, 848; 296/180.1–180.5, 91, 136.03;  
180/903; D8/315–320, 300; D25/38, 41,  
D25/43–44

See application file for complete search history.

(56) **References Cited**

U.S. PATENT DOCUMENTS

D271,191 S	11/1983	Amprim et al.	
D291,076 S	7/1987	Kawaguchi et al.	
D291,978 S	* 9/1987	Parr et al. ....	D12/181
D295,619 S	* 5/1988	Reeve .....	D12/414
D320,973 S	10/1991	Ichinose	
D427,126 S	* 6/2000	Won et al. ....	D12/181
D436,905 S	* 1/2001	Bhambra .....	D12/181

6,293,613 B1	9/2001	Choi	
D487,040 S	2/2004	Iwata	
D495,636 S	9/2004	Iwata	
D495,637 S	9/2004	Iwata	
D498,202 S	* 11/2004	Buice .....	D12/414
D503,666 S	4/2005	Iwata	
D520,420 S	* 5/2006	Woods .....	D12/181
D521,429 S	* 5/2006	Konaka .....	D12/181

\* cited by examiner

*Primary Examiner*—Stacia Cadmus

(74) *Attorney, Agent, or Firm*—Charles R. Wilson

(57) **CLAIM**

The ornamental design for a spoiler for an automotive deck,  
as shown and described.

**DESCRIPTION**

FIG. 1 is a perspective view of a spoiler for mounting to an  
automotive deck.

FIG. 2 is an elevational front view of the spoiler of FIG. 1.

FIG. 3 is an elevational back view of the spoiler of FIG. 1.

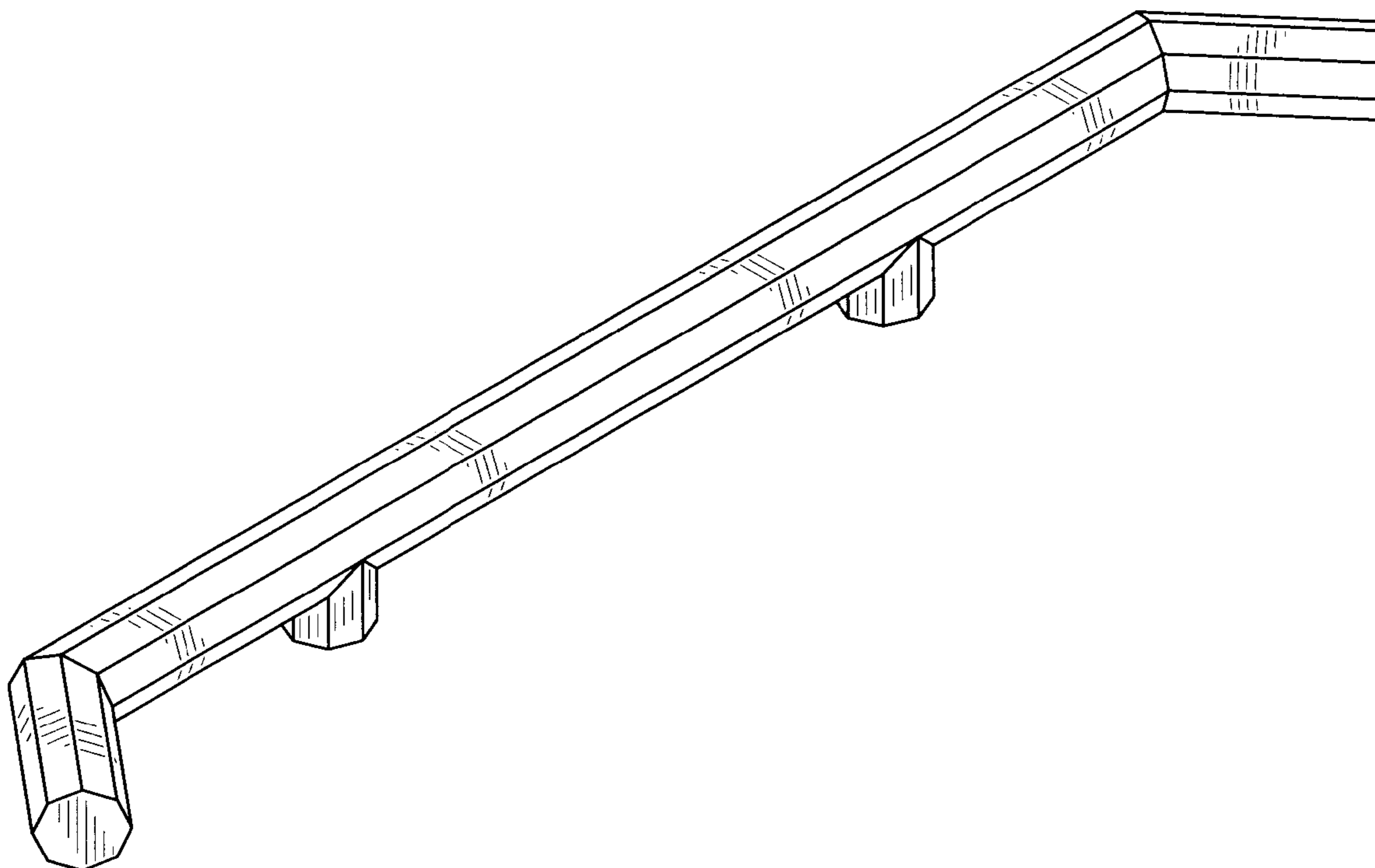
FIG. 4 is an elevational side view of the spoiler of FIG. 1.

FIG. 5 is an elevational opposed side view of the spoiler of  
FIG. 1.

FIG. 6 is a top plan view of the spoiler of FIG. 1; and,

FIG. 7 is a bottom plan view of the spoiler of FIG. 1.

**1 Claim, 3 Drawing Sheets**



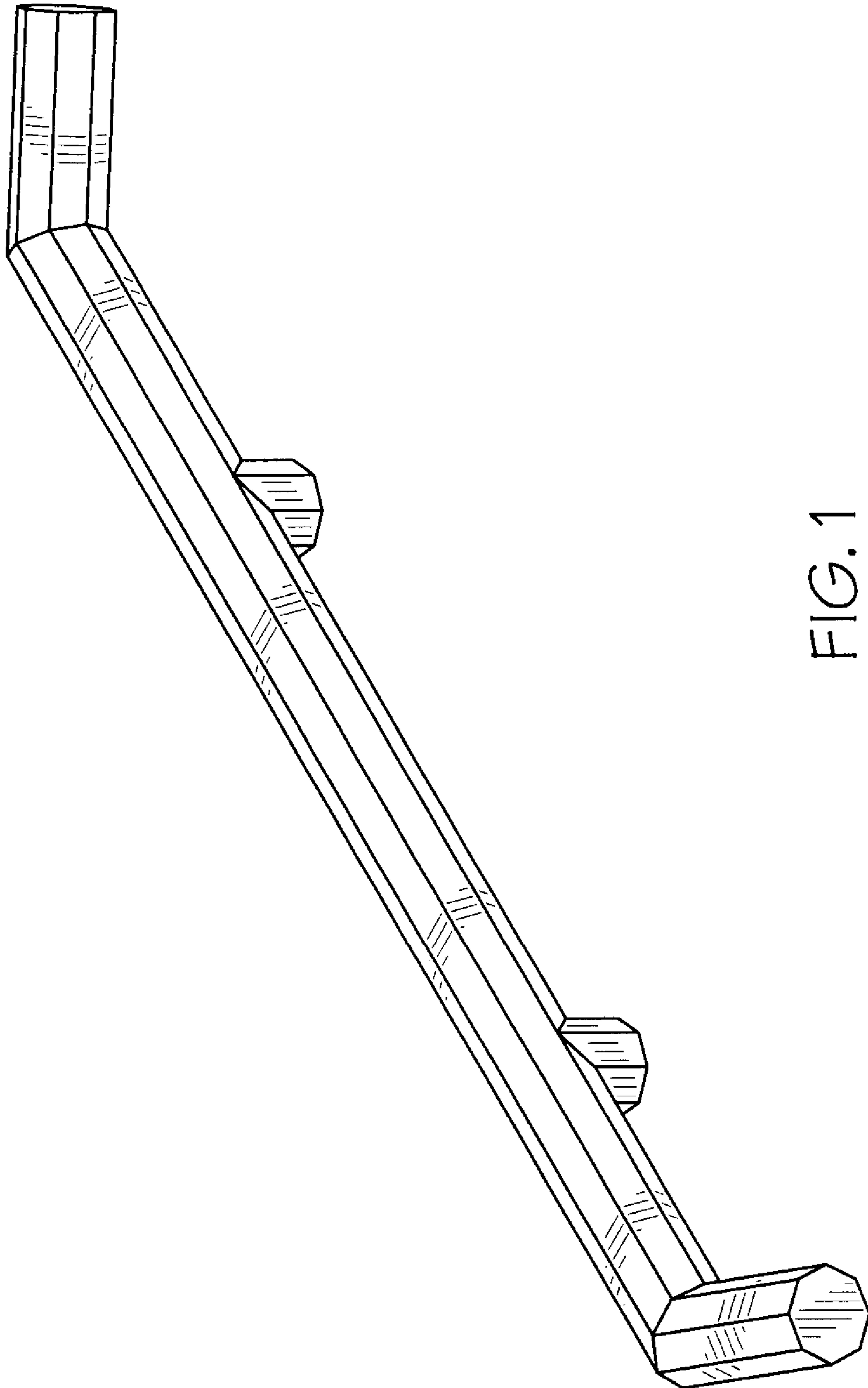


FIG. 1

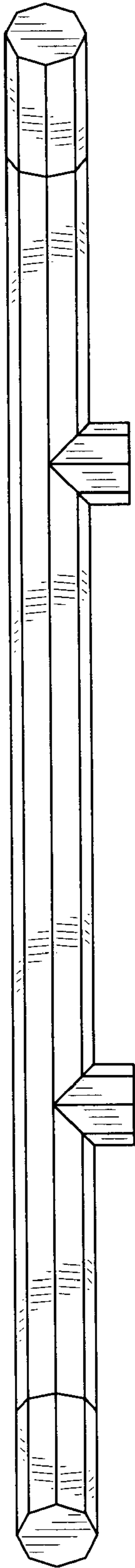


FIG. 2

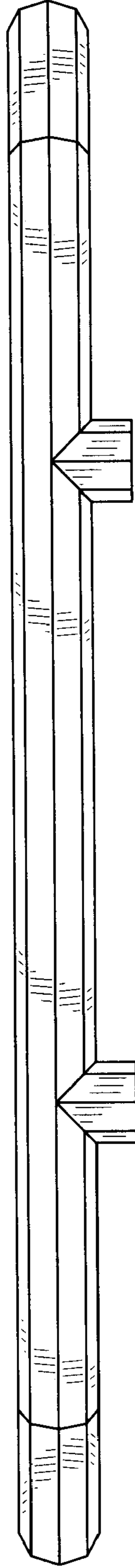


FIG. 3

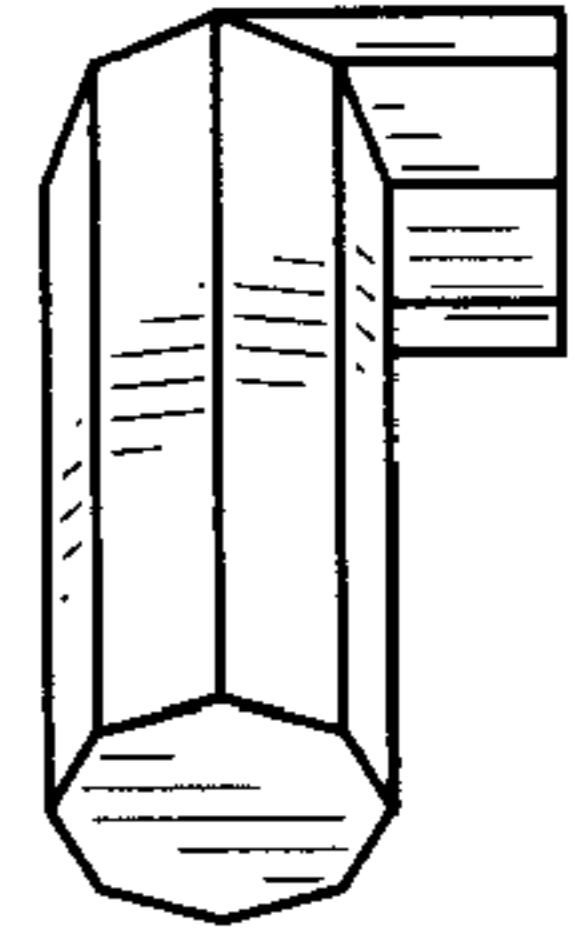


FIG. 5

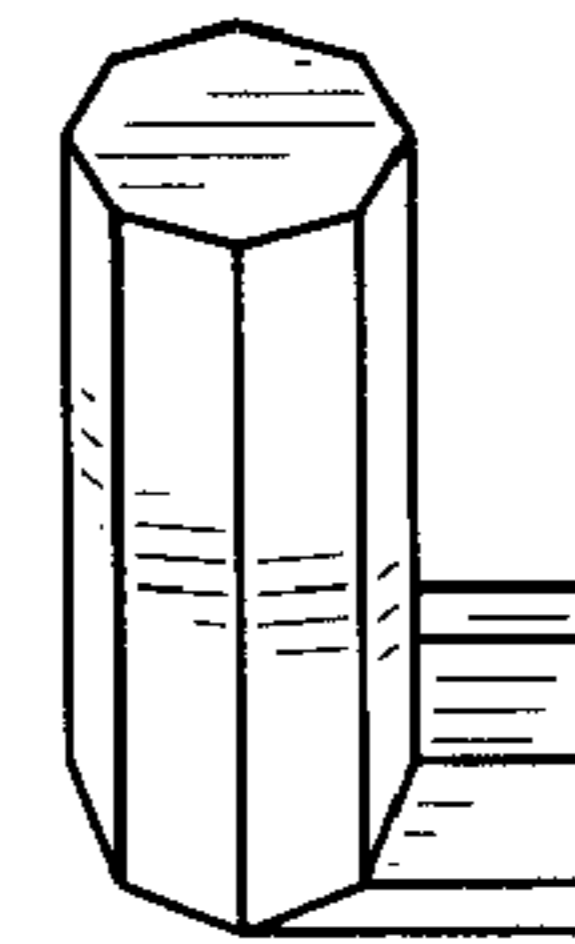


FIG. 4

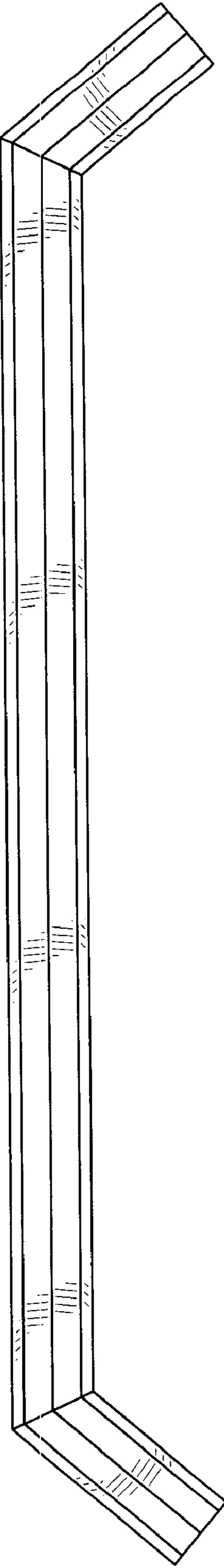


FIG. 6

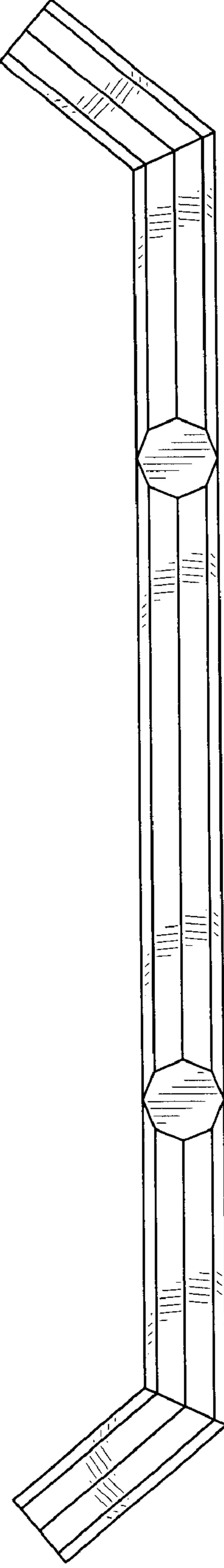


FIG. 7