



US00D535596S

(12) **United States Design Patent**
Mabuchi

(10) **Patent No.:** **US D535,596 S**
(45) **Date of Patent:** **** Jan. 23, 2007**

(54) **BICYCLE SHIFT CONTROL LEVER**

(75) Inventor: **Tomoaki Mabuchi**, Osaka (JP)

(73) Assignee: **Shimano Inc.**, Osaka (JP)

(**) Term: **14 Years**

(21) Appl. No.: **29/236,831**

(22) Filed: **Aug. 24, 2005**

(30) **Foreign Application Priority Data**

Mar. 10, 2005 (JP) 2005-007111

(51) **LOC (8) Cl.** **12-16**

(52) **U.S. Cl.** **D12/179**

(58) **Field of Classification Search** D12/111,
D12/179; 74/489, 502.2, 523, 551.8, 551.9,
74/575, 527, 473.12, 473.13, 473.14

See application file for complete search history.

(56) **References Cited**

PUBLICATIONS

Colorado Cyclist Early Fall 2000, SRAM 9.0 Linear Pull Brake Lever on p. 15.*

Shimano Inc.; 2003 Bicycle Components Trade Sales & Support Manual; Catalog; SL-TY22, SL-TY-18, SL-TY15 and SL-TY05.

* cited by examiner

Primary Examiner—Alan P. Douglas

Assistant Examiner—Linda Brooks

(74) *Attorney, Agent, or Firm*—Global IP Counselors, LLP

(57) **CLAIM**

The ornamental design for a bicycle shift control lever, as shown and described.

DESCRIPTION

FIG. 1 is a perspective view of the bicycle shift control lever in accordance with my new design;

FIG. 2 is a first side elevational view of the bicycle shift control lever in accordance with my new design of FIG. 1; FIG. 3 is a second side elevational view of the bicycle shift control lever in accordance with my new design of FIGS. 1 and 2;

FIG. 4 is a first axial end elevational view of the bicycle shift control lever in accordance with my new design of FIGS. 1-3;

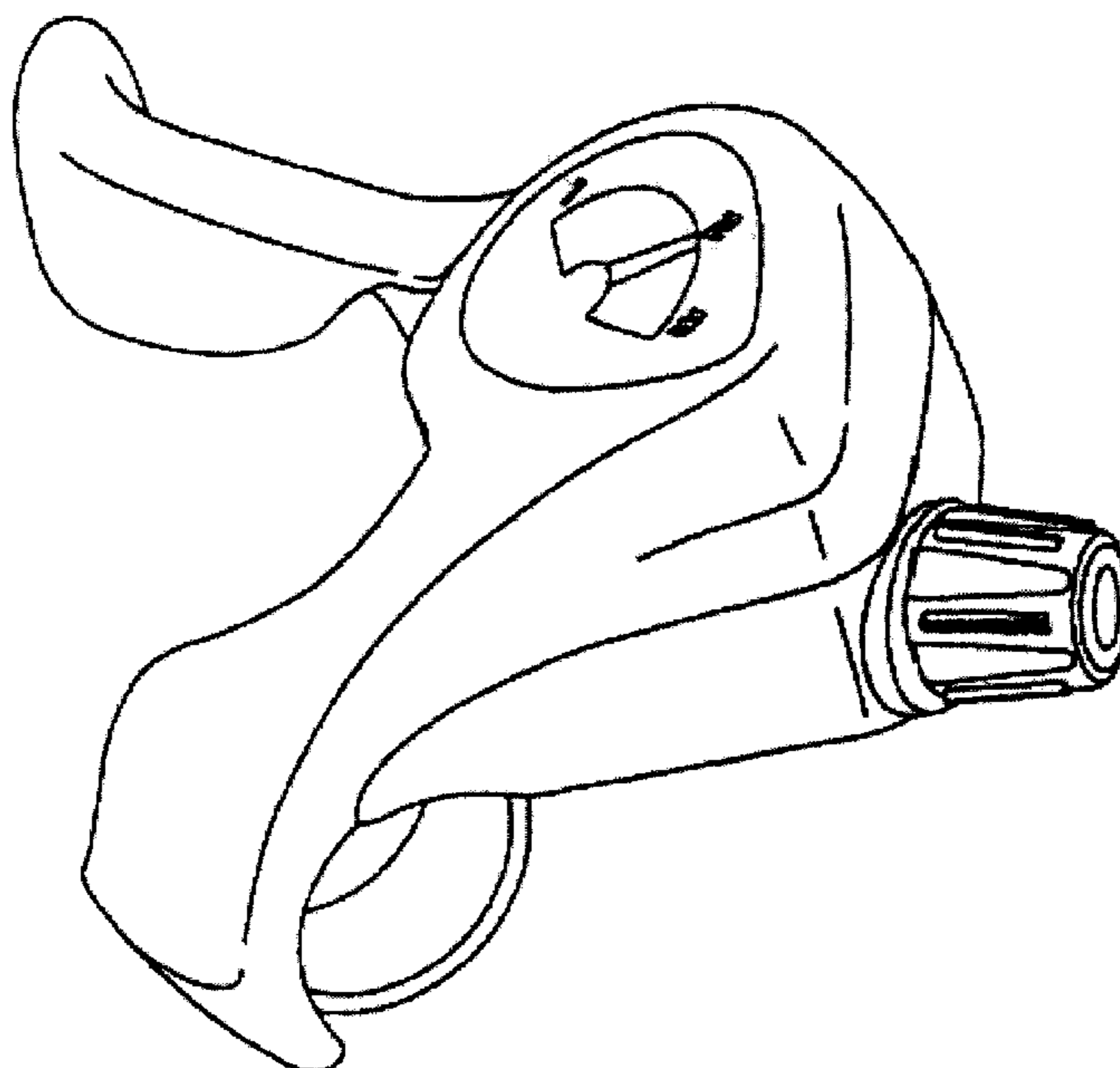
FIG. 5 is a second axial end elevational view of the bicycle shift control lever in accordance with my new design of FIGS. 1-4;

FIG. 6 is a top plan view of the bicycle shift control lever in accordance with my new design of FIGS. 1-5; and,

FIG. 7 is a bottom plan view of the bicycle shift control lever in accordance with my new design of FIGS. 1-6.

The numbers shown on the display are hereby disclaimed and form no part of the claimed design.

1 Claim, 4 Drawing Sheets



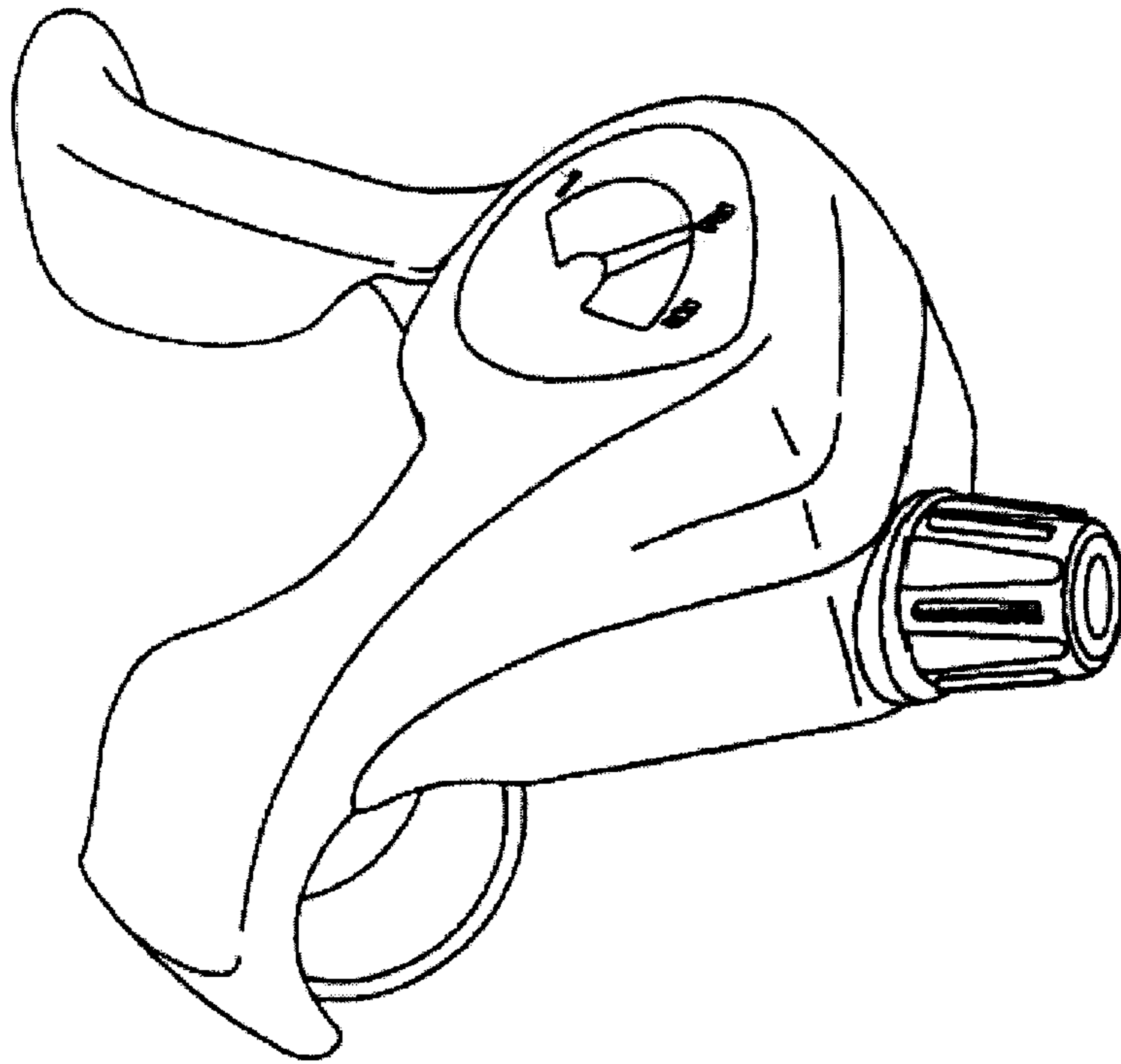


Fig. 1

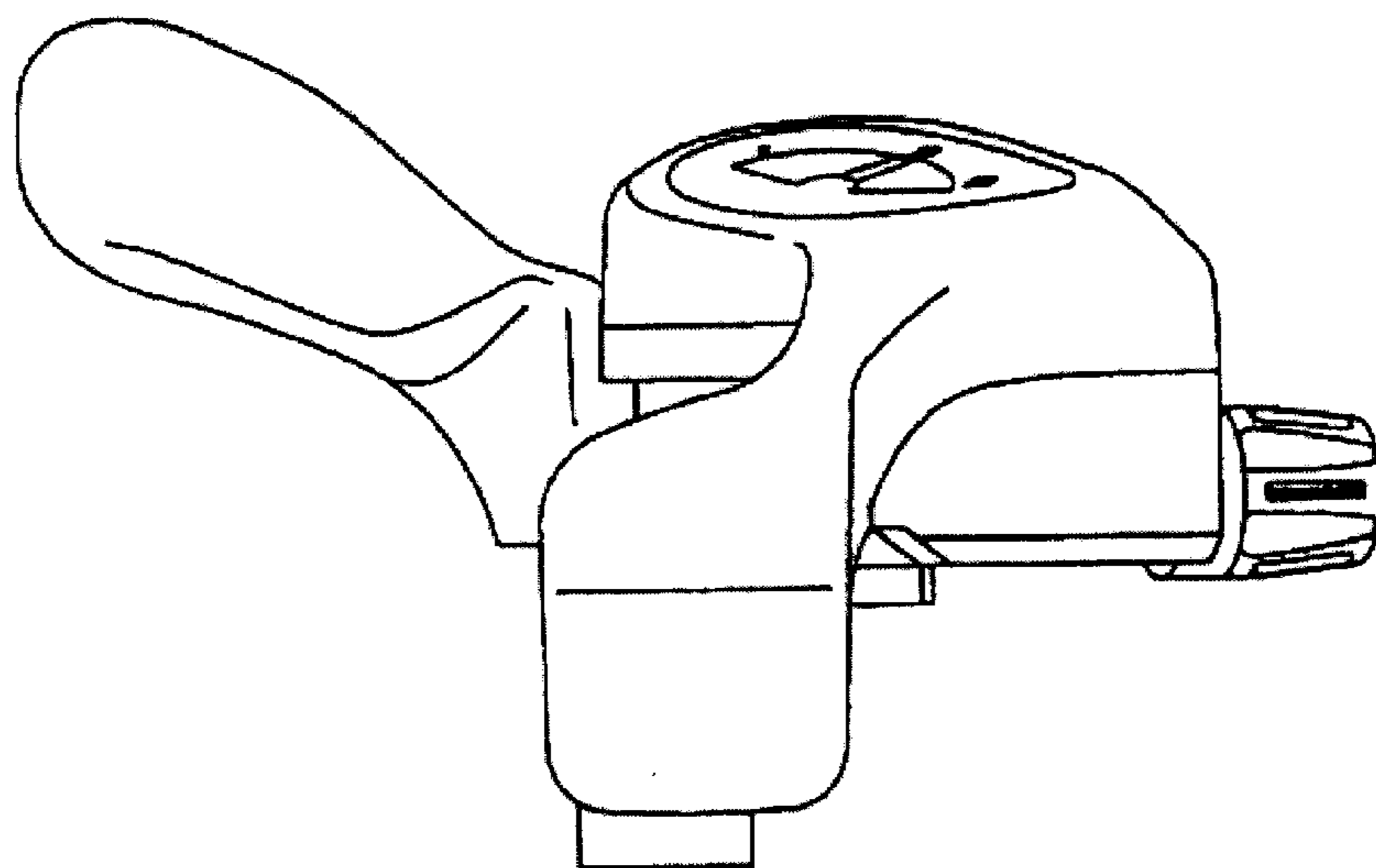


Fig. 2

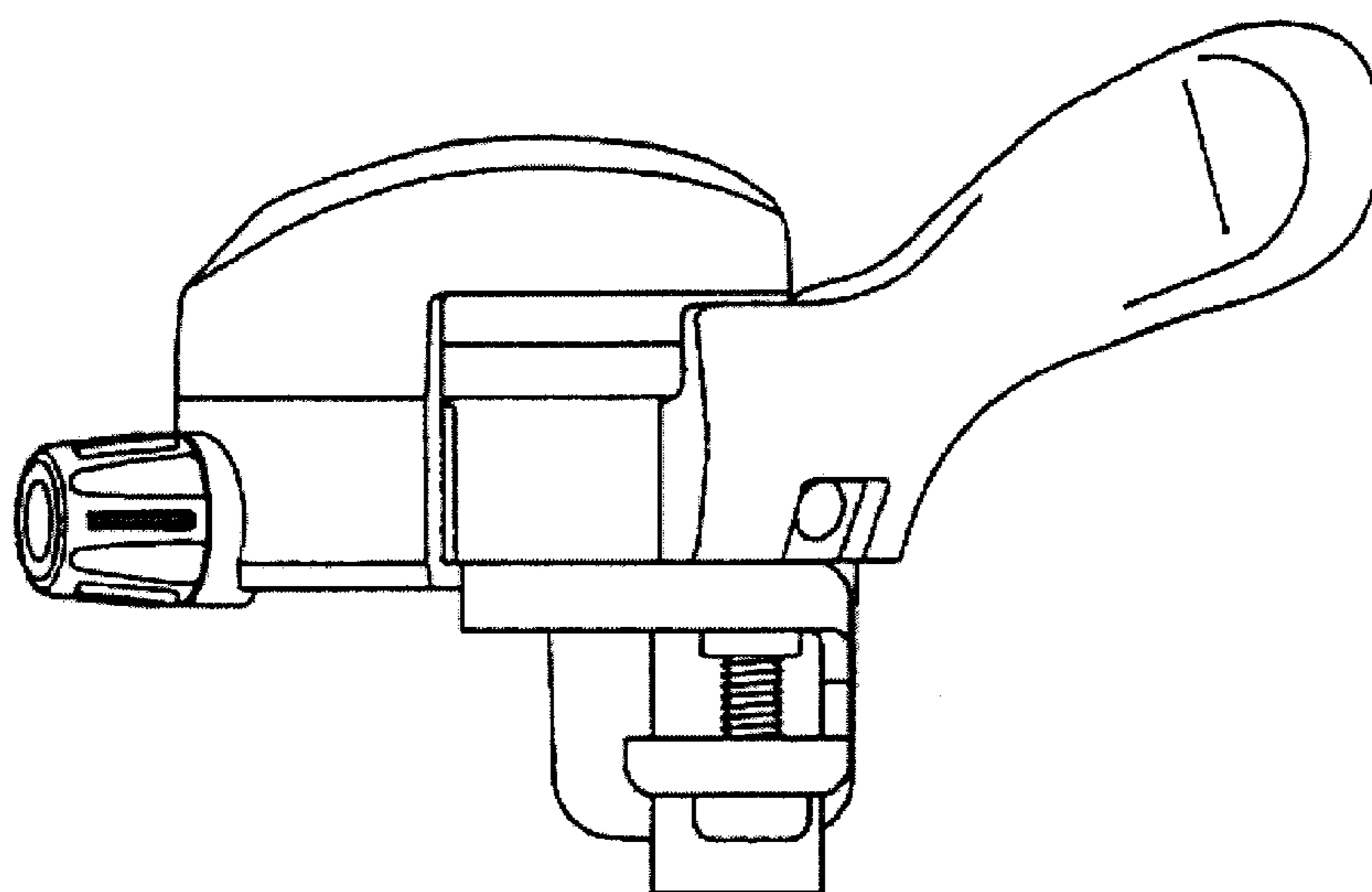


Fig. 3

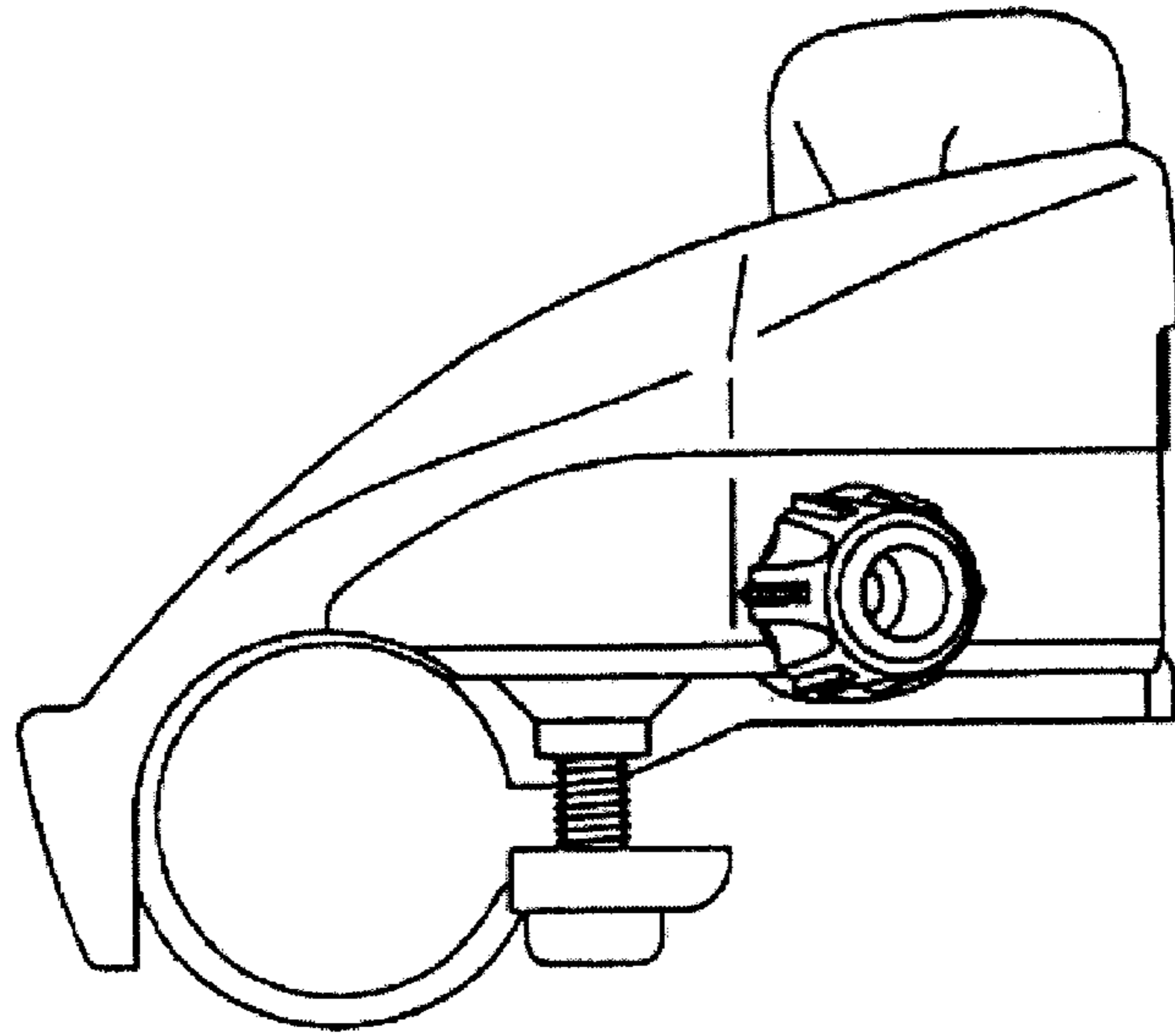


Fig. 4

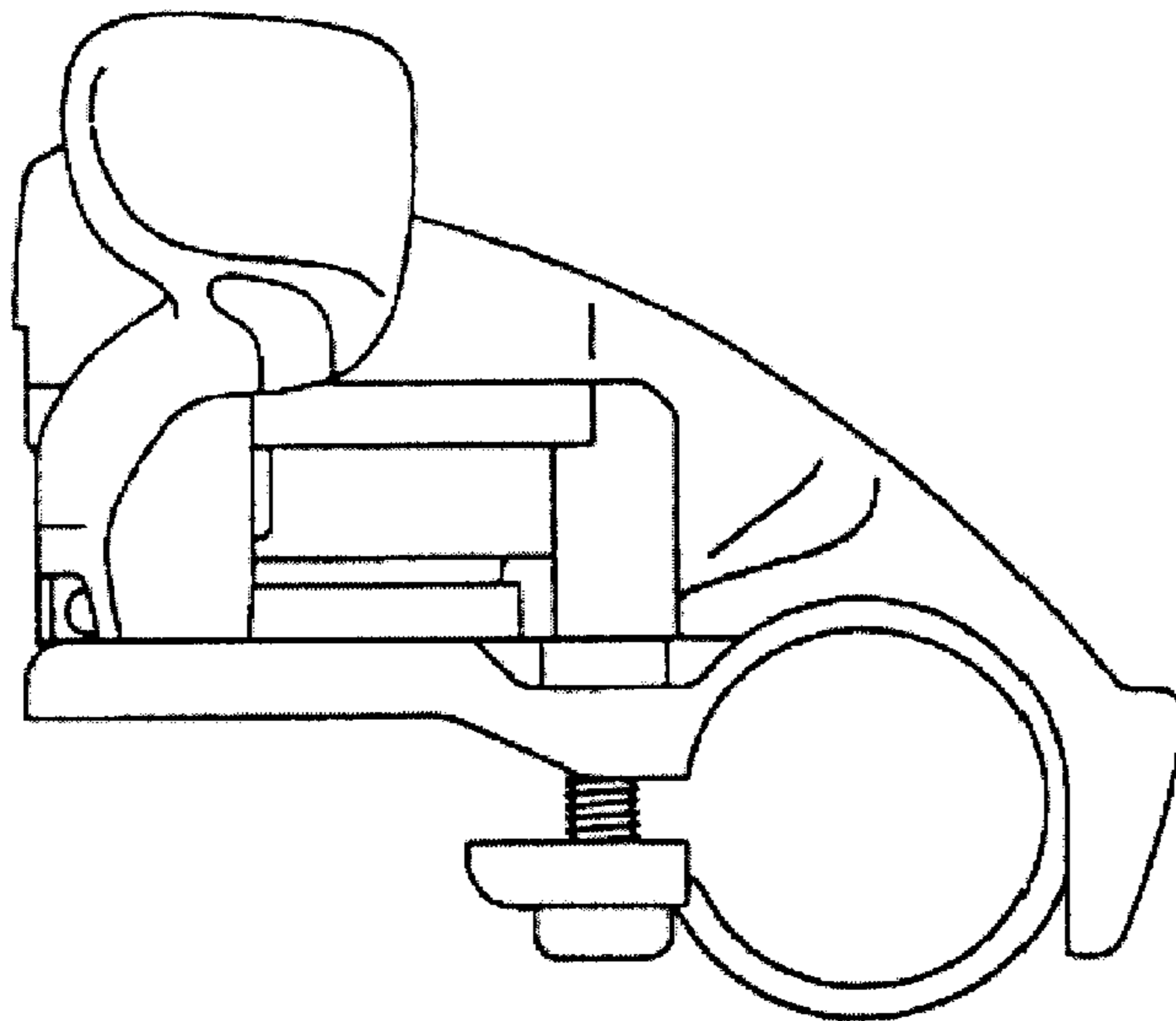


Fig. 5

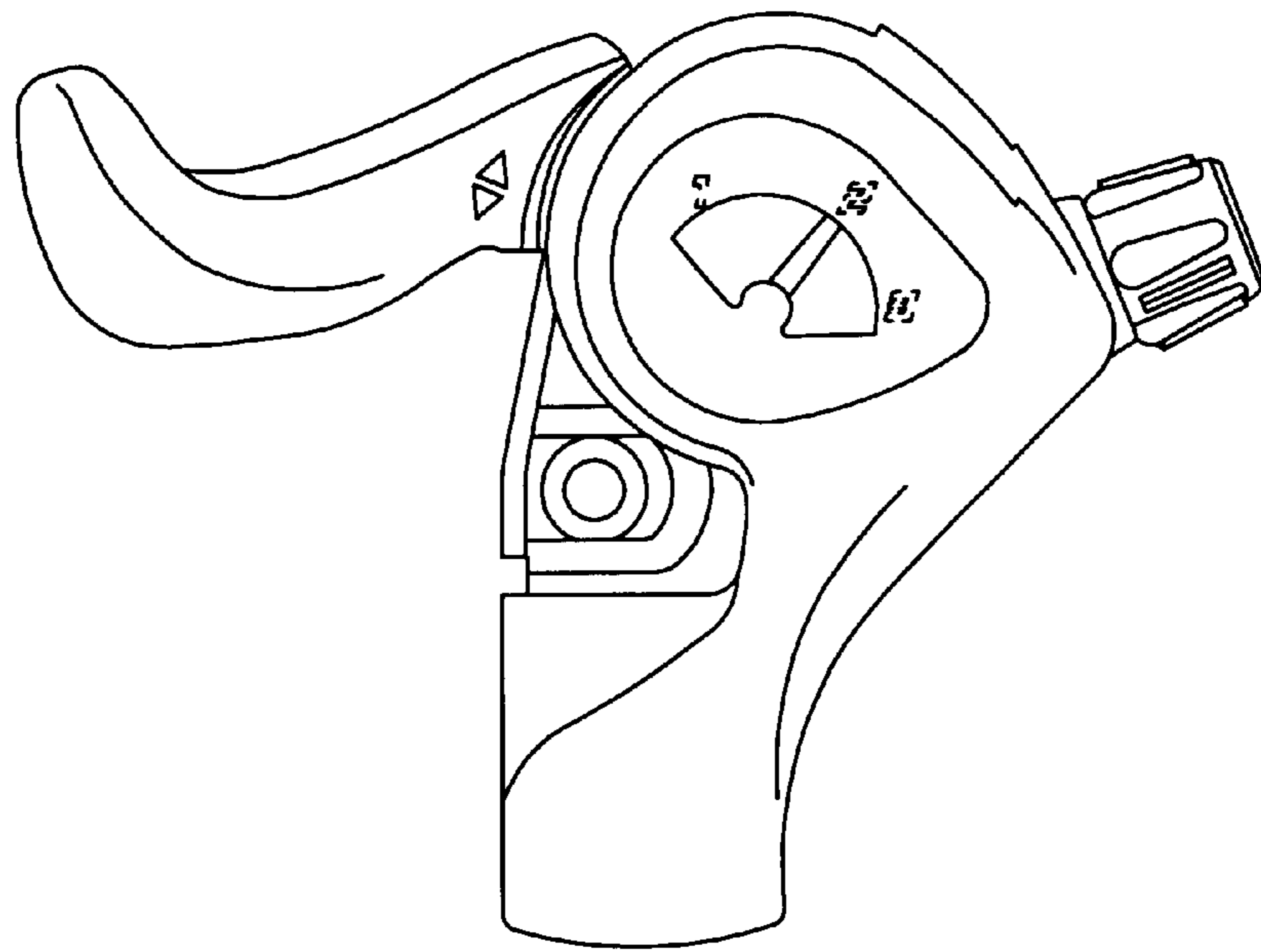


FIG. 6

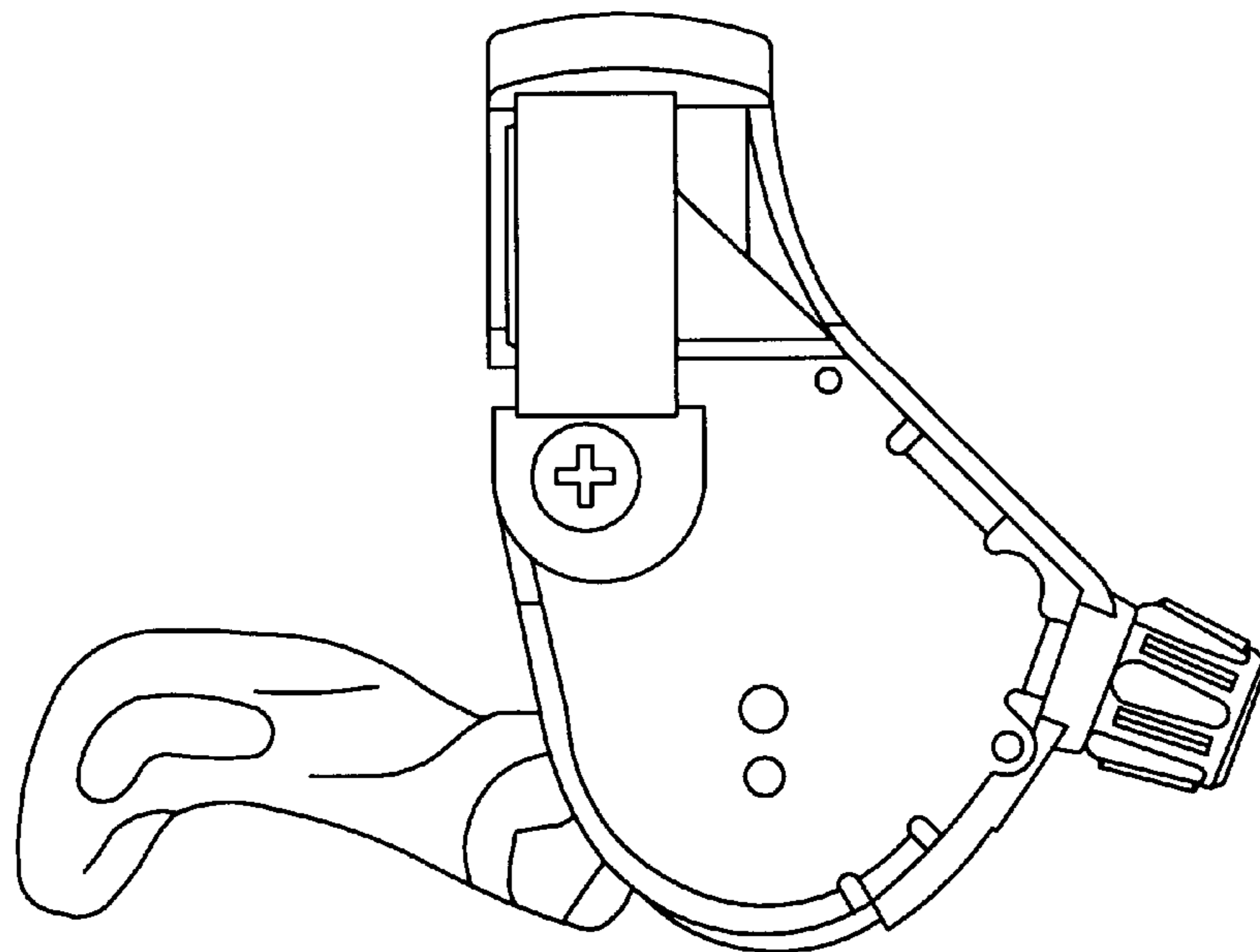


FIG. 7