



US00D535594S

(12) **United States Design Patent**
Schiavone et al.

(10) **Patent No.:** **US D535,594 S**
(45) **Date of Patent:** **** Jan. 23, 2007**

(54) **VEHICLE FRONT BUMPER**

(75) Inventors: **Patrick Schiavone**, Bloomfield, MI (US); **James Grake**, Royal Oak, MI (US); **Curt Aumiller**, Dearborn, MI (US); **Laurens Van Den Acker**, Ann Arbor, MI (US)

(73) Assignee: **Ford Global Technologies, LLC**, Dearborn, MI (US)

(**) Term: **14 Years**

(21) Appl. No.: **29/243,497**

(22) Filed: **Nov. 22, 2005**

(51) **LOC (8) Cl.** **12-16**

(52) **U.S. Cl.** **D12/169**

(58) **Field of Classification Search** D12/90–92,
D12/86, 169, 196; 296/180.1, 180.2; 293/102,
293/113, 115, 117, 120

See application file for complete search history.

(56) **References Cited**

U.S. PATENT DOCUMENTS

D490,032 S	*	5/2004	Ikuma et al.	D12/169
D513,213 S	*	12/2005	Sato	D12/169
D516,967 S	*	3/2006	Tomida et al.	D12/169
D517,457 S	*	3/2006	Horiuchi et al.	D12/169
D522,938 S	*	6/2006	Iwanaga	D12/169

OTHER PUBLICATIONS

New York Auto Show, *2005 Ford Explorer*, Mar. 23, 2005.
North American International Auto Show (Detroit), *2005 Ford Escape*, Jan. 9, 2004.

North American International Auto Show (Detroit), *2004 Ford Expedition*, Jan. 9, 2003.

Sao Paulo Auto Show, *2005 EcoSport*, Oct. 10, 2004.

* cited by examiner

Primary Examiner—Melody N. Brown

(74) *Attorney, Agent, or Firm*—Damian Porcari

(57) **CLAIM**

The ornamental design for a vehicle front bumper, as shown and described.

DESCRIPTION

FIG. 1 is a front perspective view of a vehicle front bumper attached to a vehicle, no part of the vehicle is claimed;

FIG. 2 is a perspective view of the vehicle front bumper;

FIG. 3 is a front elevational view of the vehicle front bumper;

FIG. 4 is a top plan view of the vehicle front bumper;

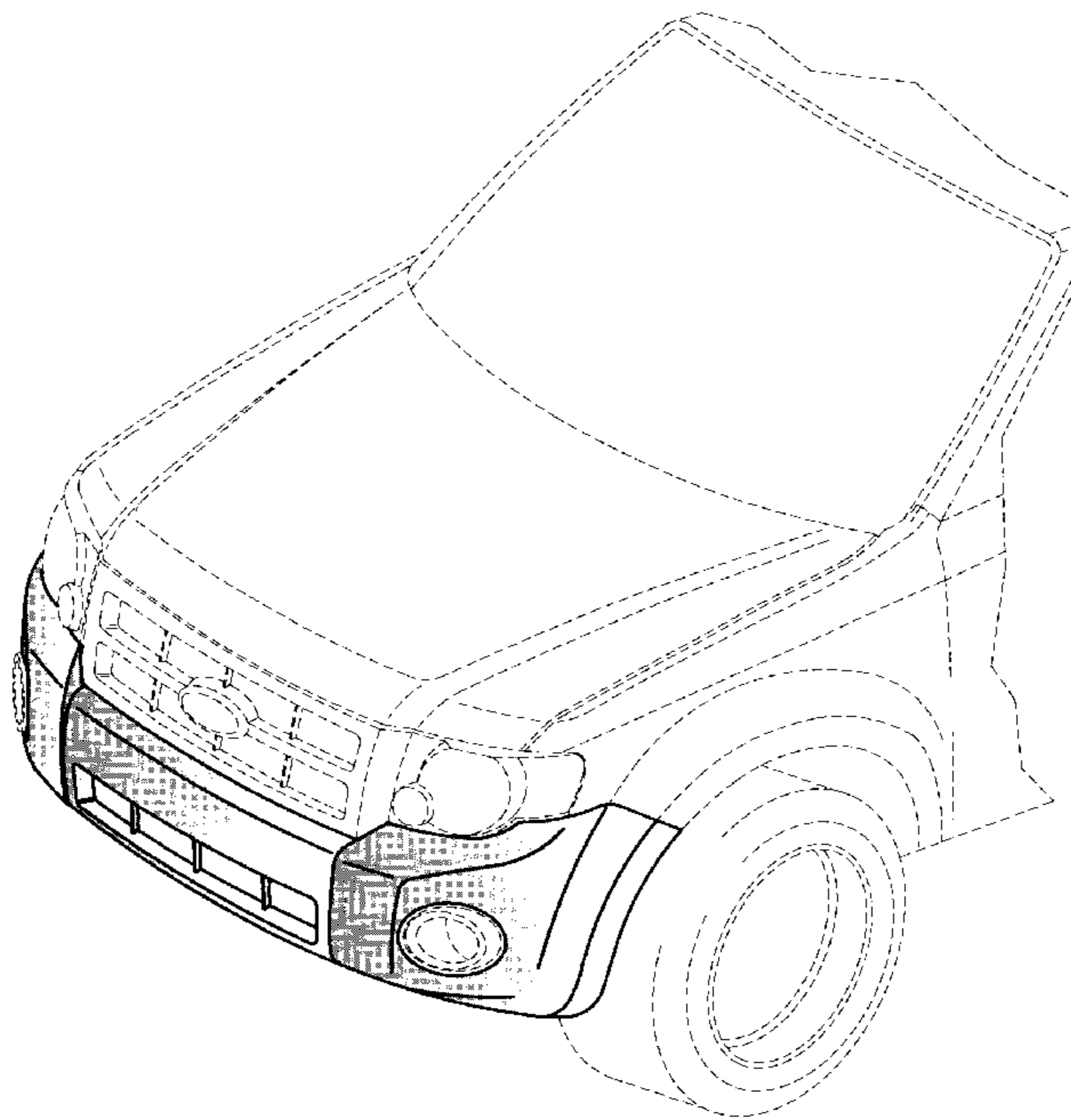
FIG. 5 is a right side elevational view of the vehicle front bumper;

FIG. 6 is a left side elevational view of the vehicle front bumper; and,

FIG. 7 is bottom plan view of the vehicle front bumper.

The broken lines are for illustrative purposes only and form no part of the claimed design.

1 Claim, 6 Drawing Sheets



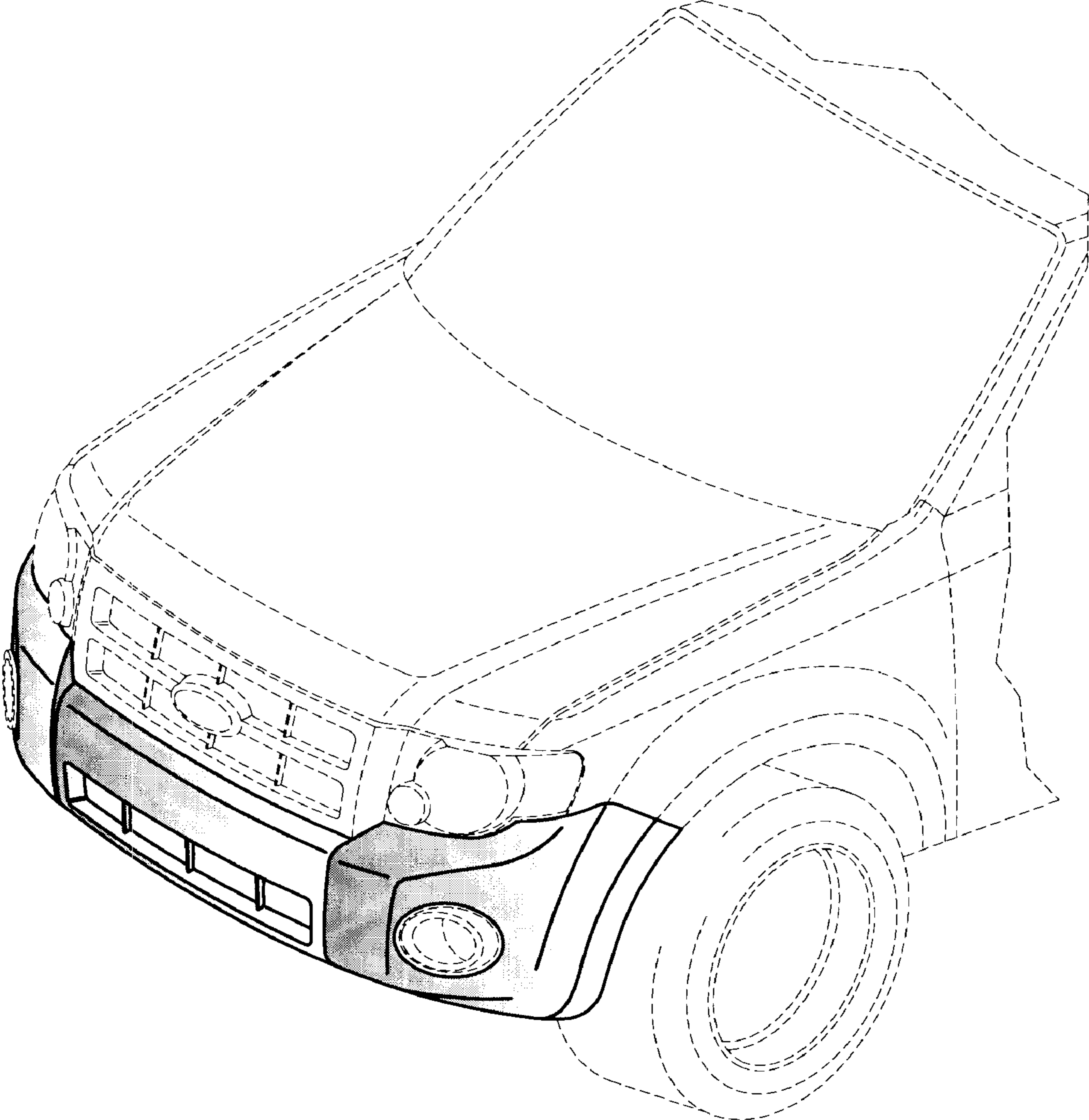


FIG - 1

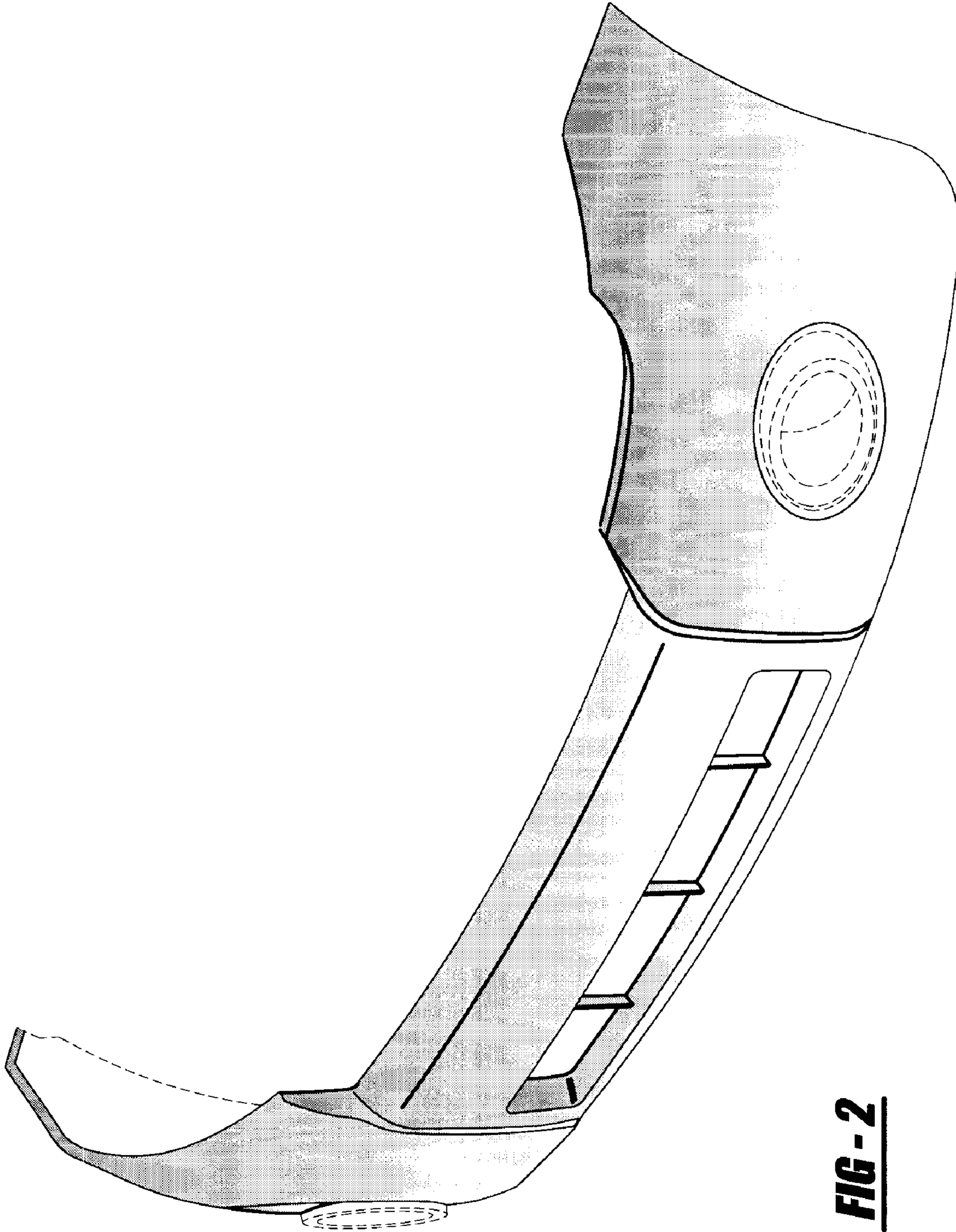


FIG - 2

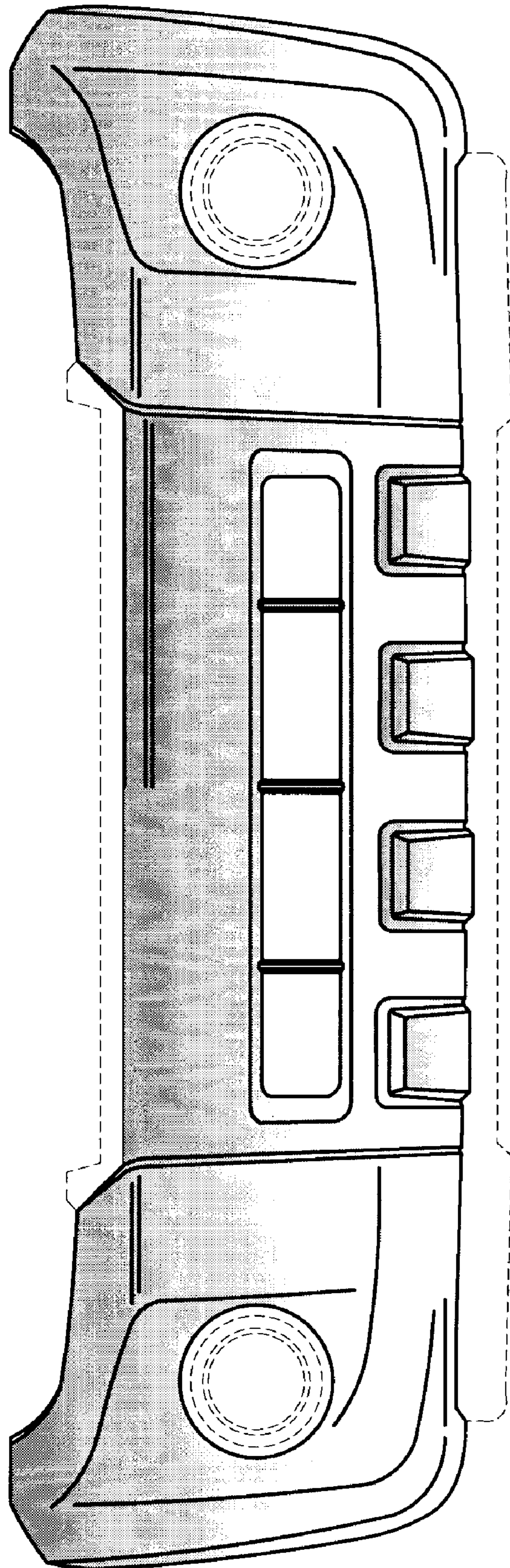


FIG - 3

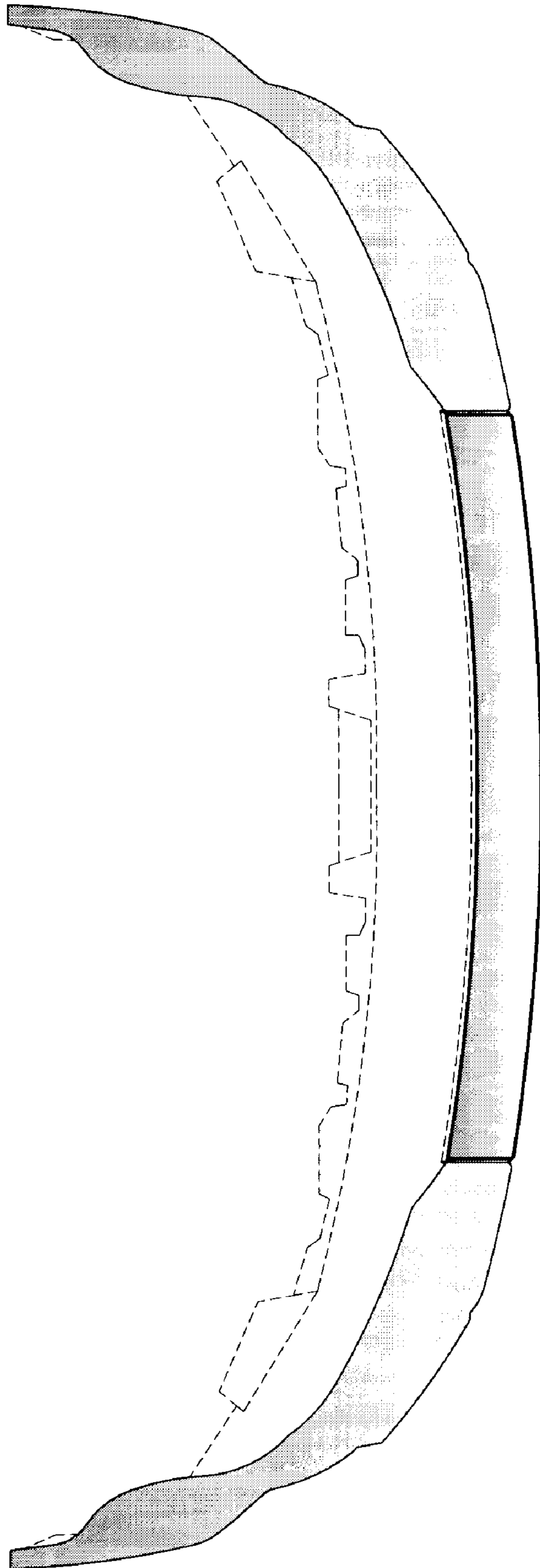


FIG - 4

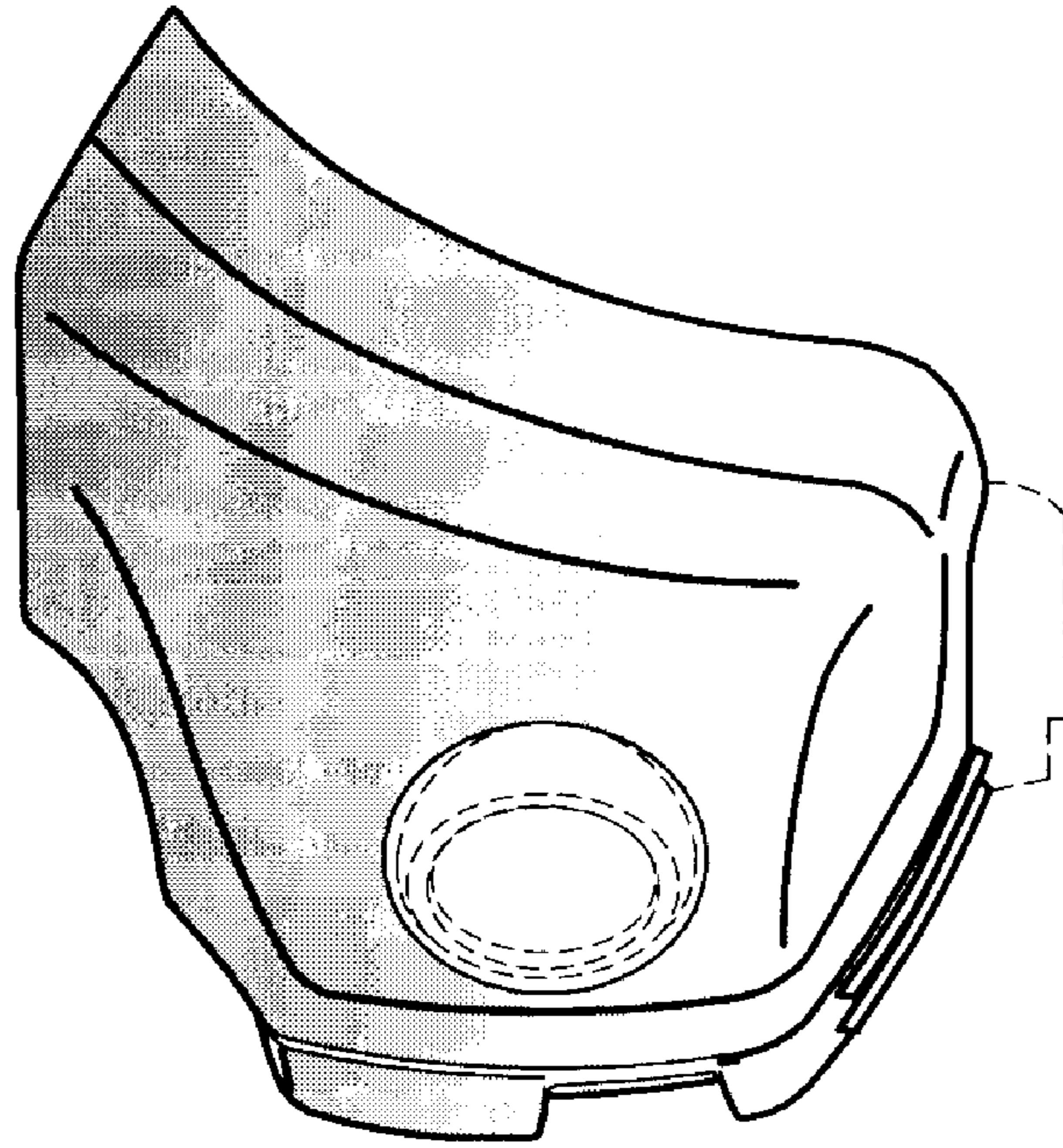


FIG - 6

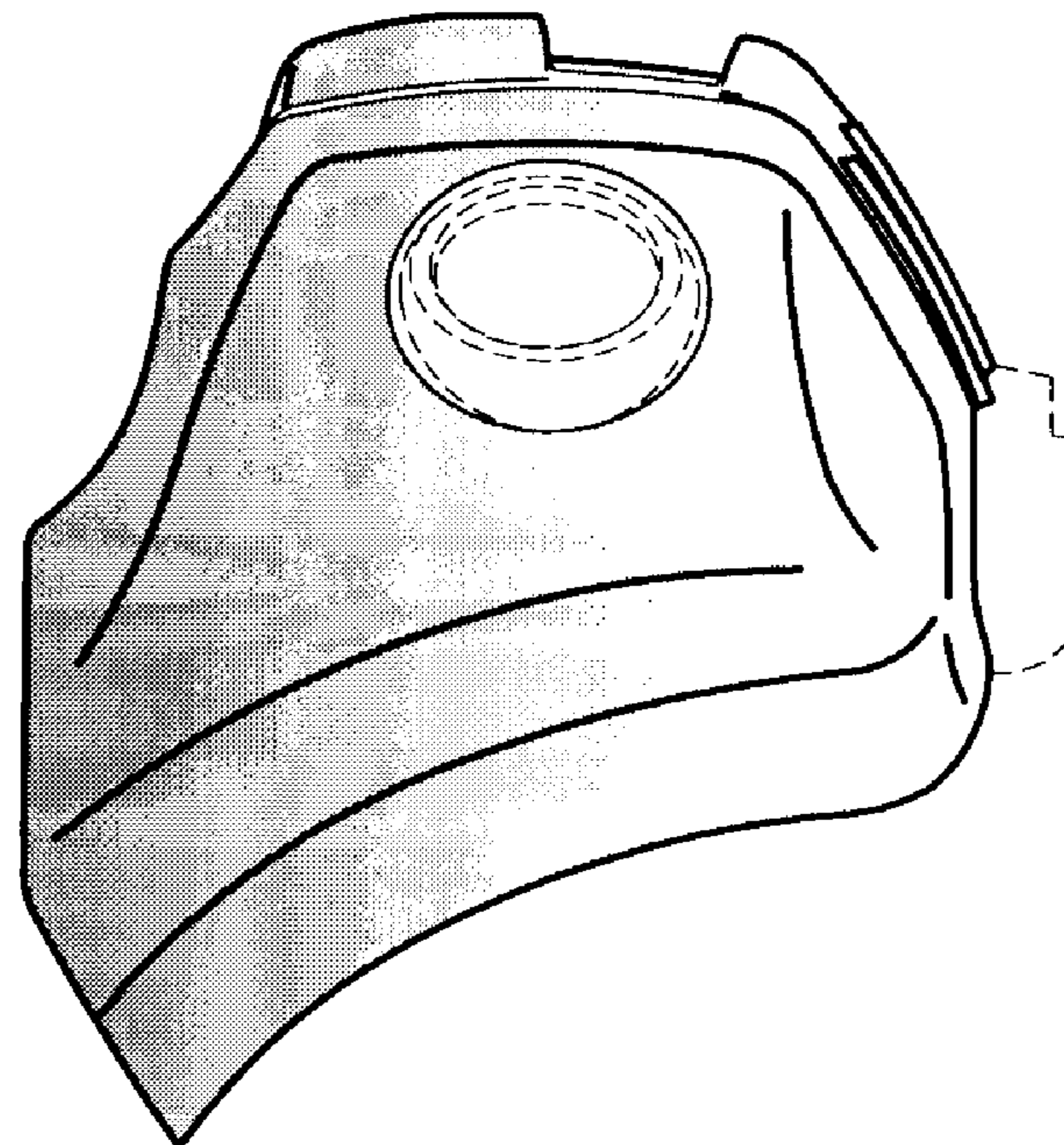


FIG - 5

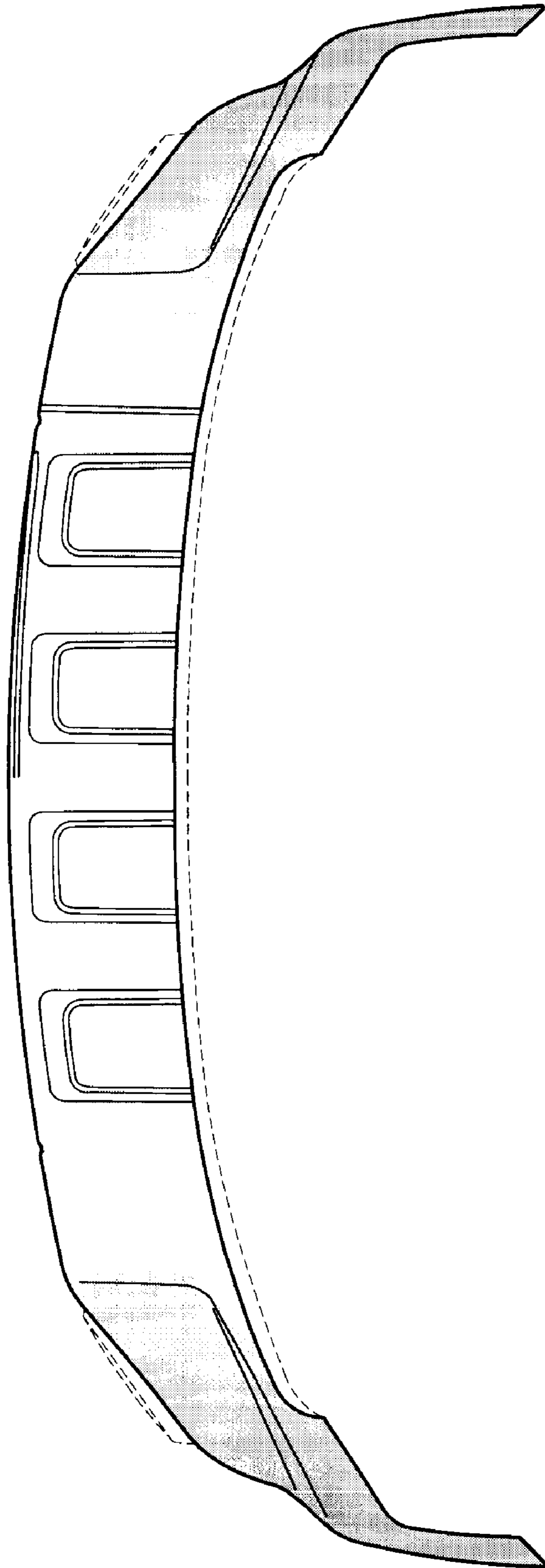


FIG - 7