



US00D535581S

(12) **United States Design Patent**
Scharr

(10) **Patent No.:** **US D535,581 S**
(45) **Date of Patent:** **** Jan. 23, 2007**

(54) **COMBINED JEWELRY COMPONENT AND A CAP**

(76) Inventor: **Paul R. Scharr**, 6574 E. Crested
Saguaro Lanw, Scottsdale, AZ (US)
85262-7373

(**) Term: **14 Years**

(21) Appl. No.: **29/261,963**

(22) Filed: **Jun. 23, 2006**

(51) **LOC (8) Cl.** **11-01**

(52) **U.S. Cl.** **D11/86**

(58) **Field of Classification Search** D11/1-2,
D11/7, 40-44, 46-49, 53, 56-57, 59-61,
D11/63, 65, 79-83, 86-87, 89-90, 99, 91-92,
D11/101, 106, 114-116, 200-201; 63/1.11,
63/18-20; D3/207-211

See application file for complete search history.

(56) **References Cited**

U.S. PATENT DOCUMENTS

1,380,827 A	6/1921	Mullins	
D114,580 S	* 5/1939	Shields	D11/79
D136,753 S	* 11/1943	Lyon	D3/249
3,168,768 A	2/1965	Bohlinger	
D384,301 S	* 9/1997	Gusky	D11/81
D391,844 S	3/1998	Ropponen	
D392,179 S	3/1998	Ropponen	
D415,676 S	10/1999	Negishi	
D416,475 S	11/1999	DePrisco	
D418,443 S	* 1/2000	Wieck	D11/81
D419,431 S	1/2000	Hollis	

(Continued)

OTHER PUBLICATIONS

U.S. Appl. No. 29/255,393, filed Mar. 8, 2006, Scharr.

Primary Examiner—Ralf Seifert

(57) **CLAIM**

I claim the ornamental design for a combined jewelry component and a cap, as shown and described.

DESCRIPTION

Cross reference to other related Design Patent Applications: Design patent application 29/255,393 filed 03/08/2006; Three other design patent applications filed on this date entitled: A Combined Jewelry Component and a Cap.

FIG. 1 is an exploded front view of the combined jewelry component and cap, with the cap removed; according to the present invention;

FIG. 2 is an exploded perspective back view of the combined jewelry component and cap, with the cap attached; according to the present invention;

FIG. 3 is an exploded perspective front view of the combined jewelry component and cap, with the cap attached; according to the present invention;

FIG. 4 is the right side view of the combined jewelry component and cap, with the cap removed, the reverse side is identical to the right view.

FIG. 5 is the left side view of the combined jewelry component and cap, with the cap removed, the reverse side is identical to the left view;

FIG. 6 is the bottom view of the jewelry component and the bottom view of the cap, with the cap removed from the jewelry component;

FIG. 7 is the top view of the jewelry component, and the top view of the cap, with the cap removed from the jewelry component;

FIG. 8 is the right side view of the combined jewelry component and cap, with the cap attached; the reverse side is identical the right view;

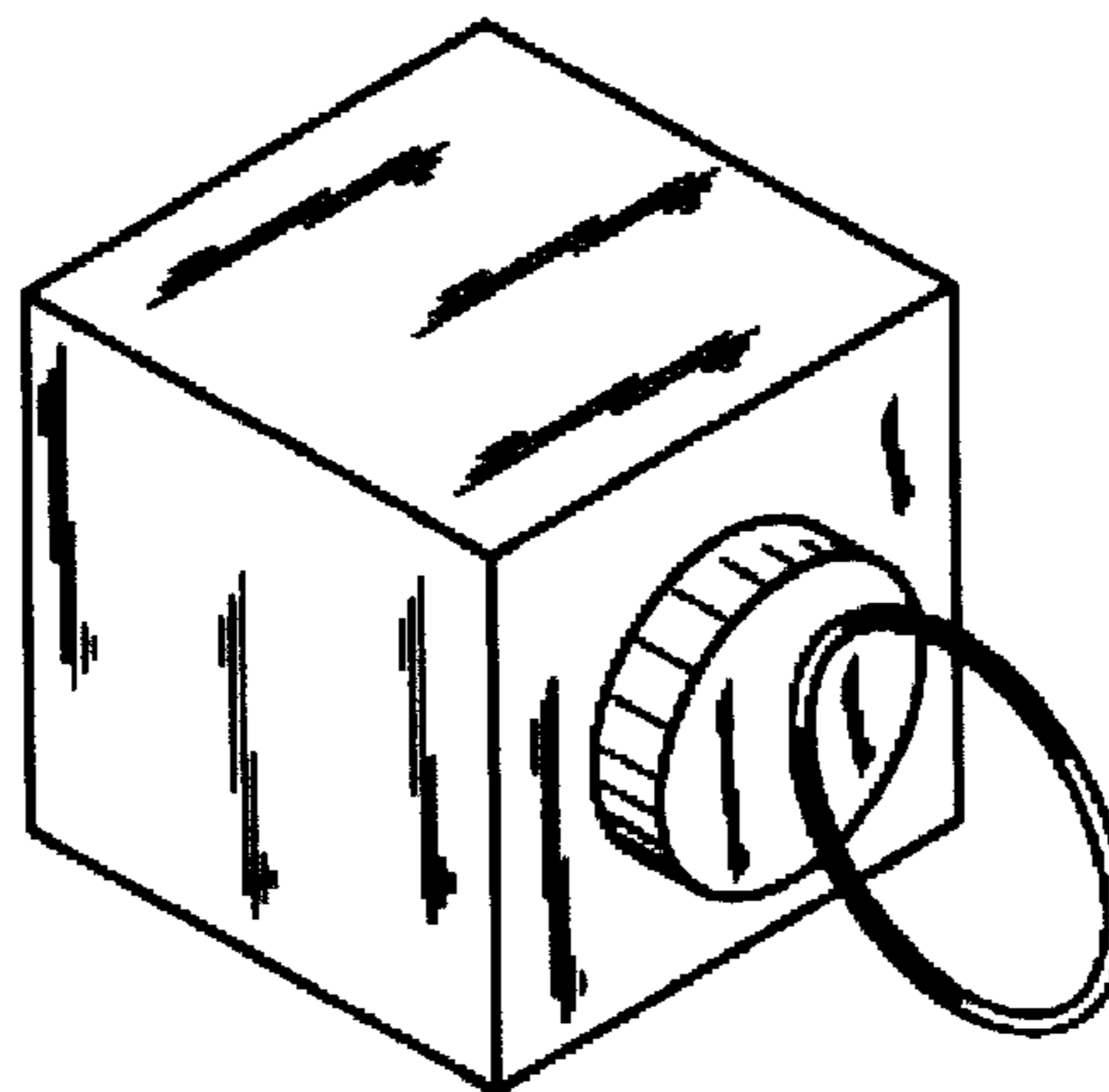
FIG. 9 is the left side view of the combined jewelry component and cap, with the cap attached; the reverse side is identical the left view;

FIG. 10 is the bottom view of the combined jewelry component and cap, with the cap attached; and,

FIG. 11 is the top view of the combined jewelry component and cap, with the cap attached.

The design of the present invention as shown in FIGS. 1-11 is a combined metal body member and cap member, comprised of an aperture on the cap member and a loop or ring on the body member.

1 Claim, 3 Drawing Sheets



US D535,581 S

Page 2

U.S. PATENT DOCUMENTS

D422,202 S	4/2000	Maki		D480,951 S	10/2003	Robinson
D455,366 S	* 4/2002	Basha	D11/79	D493,097 S	7/2004	Shinjo
D469,007 S	1/2003	Chen		D501,396 S	2/2005	Frattarola
D477,224 S	7/2003	Hussain		D506,922 S	7/2005	Simon

* cited by examiner

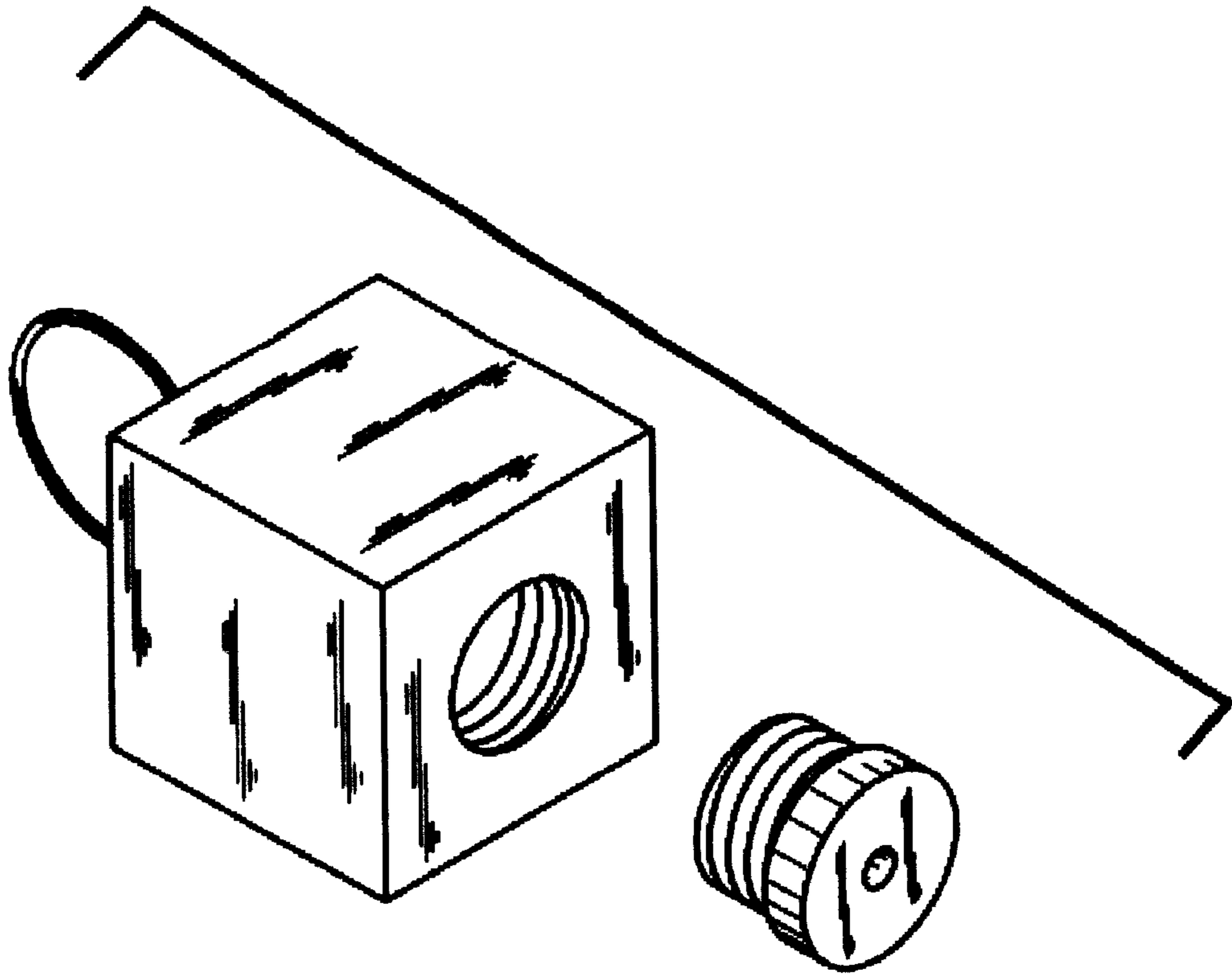


FIG. 1

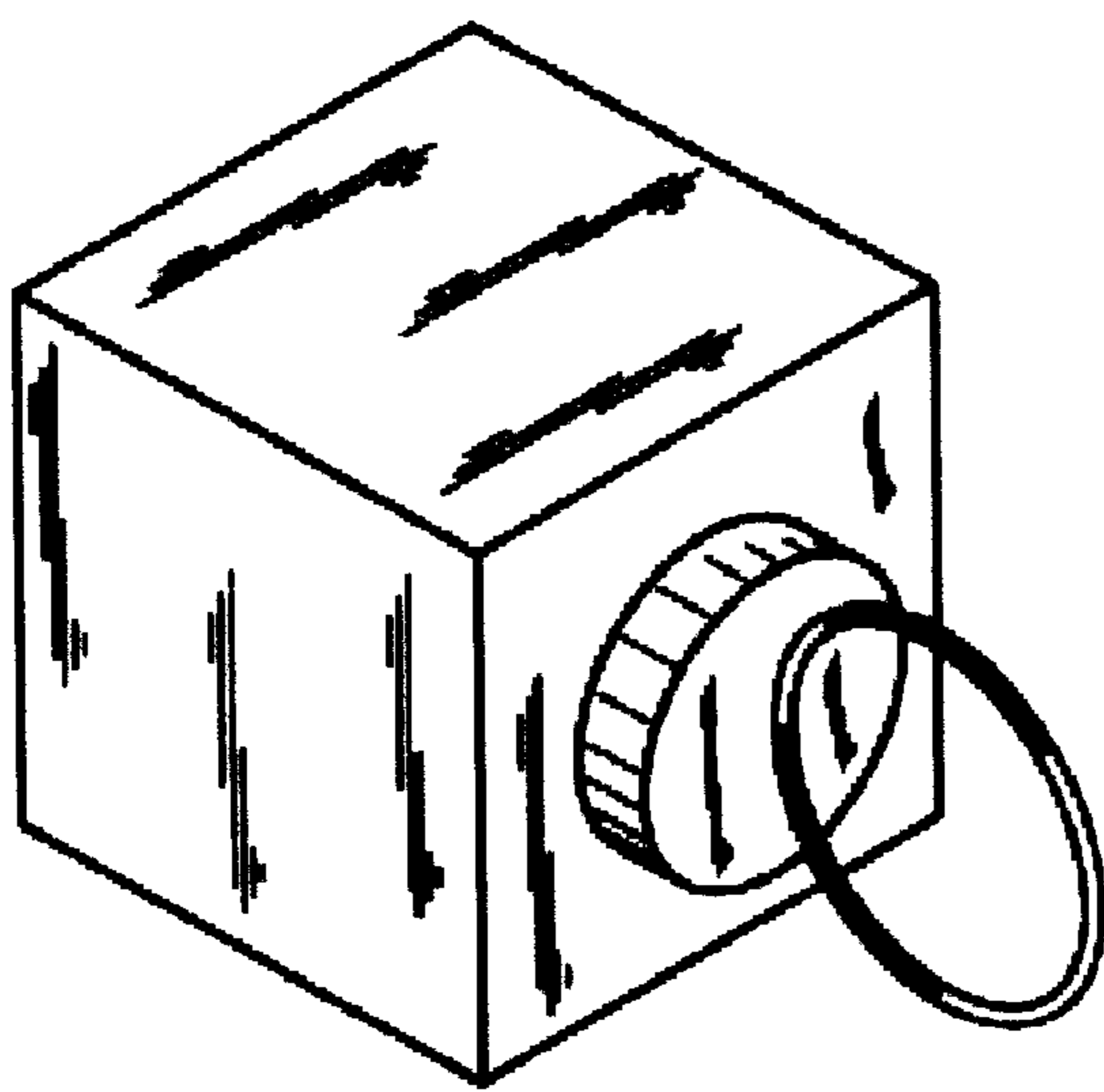


FIG. 2

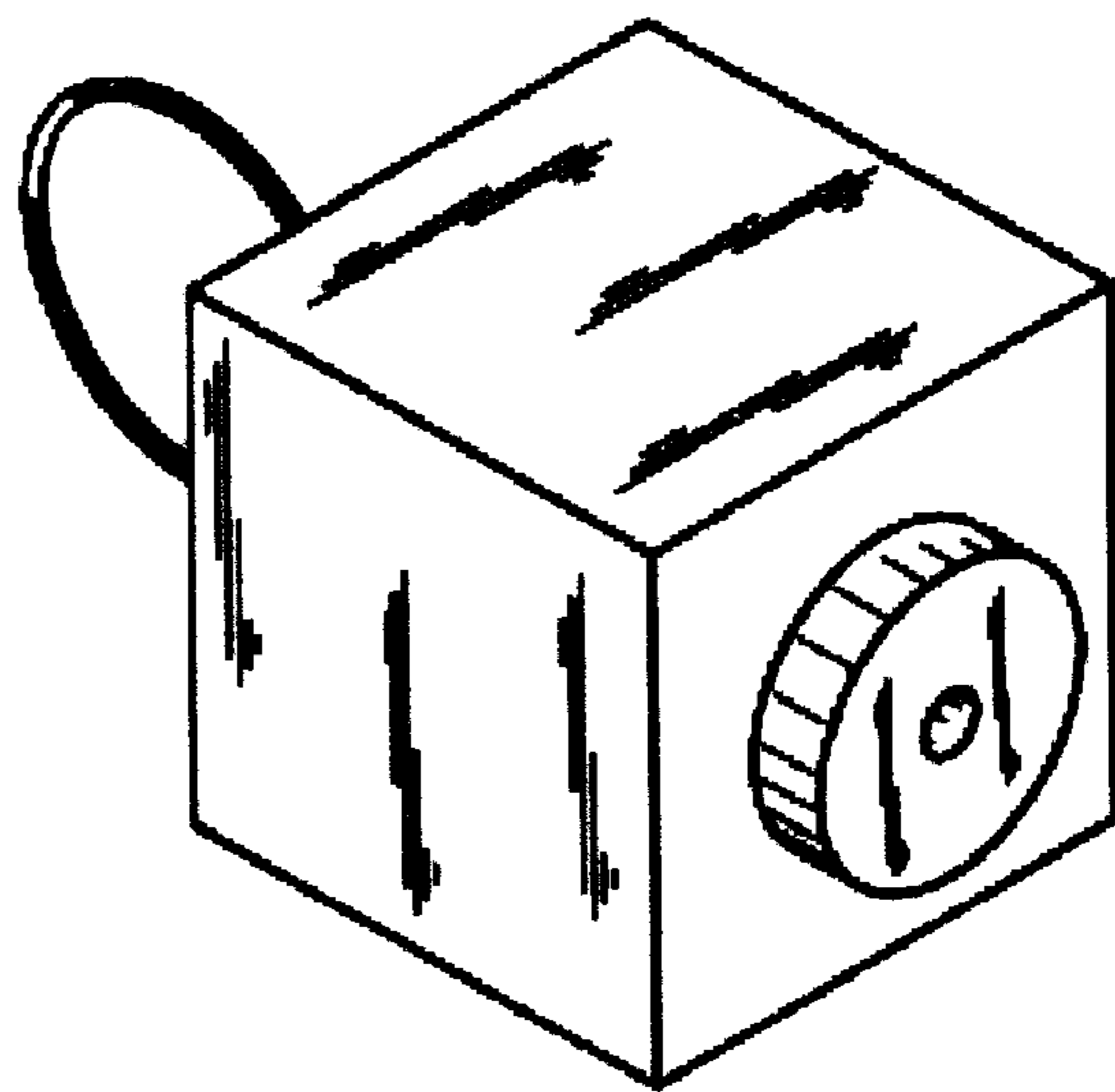


FIG. 3

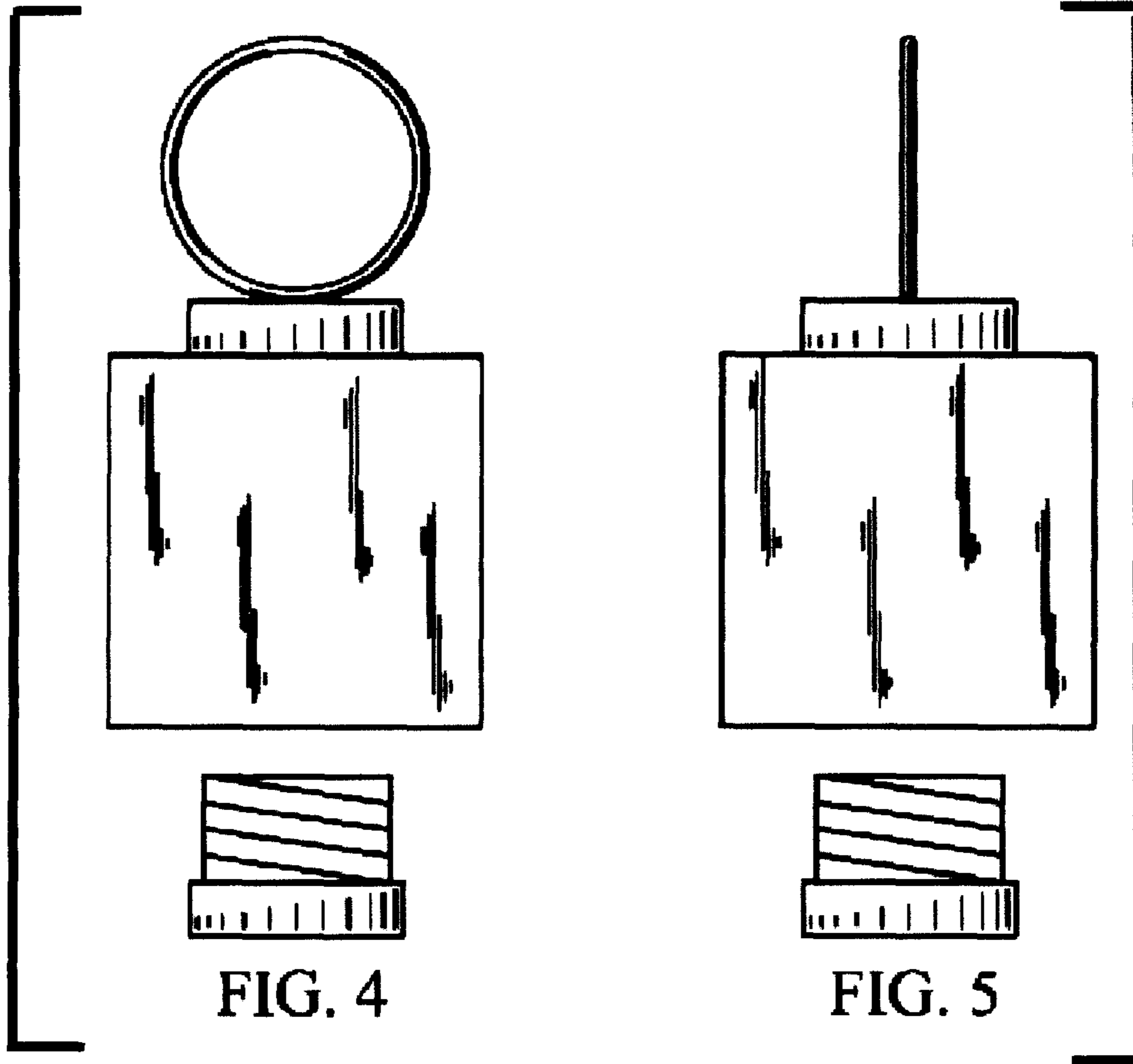


FIG. 4

FIG. 5

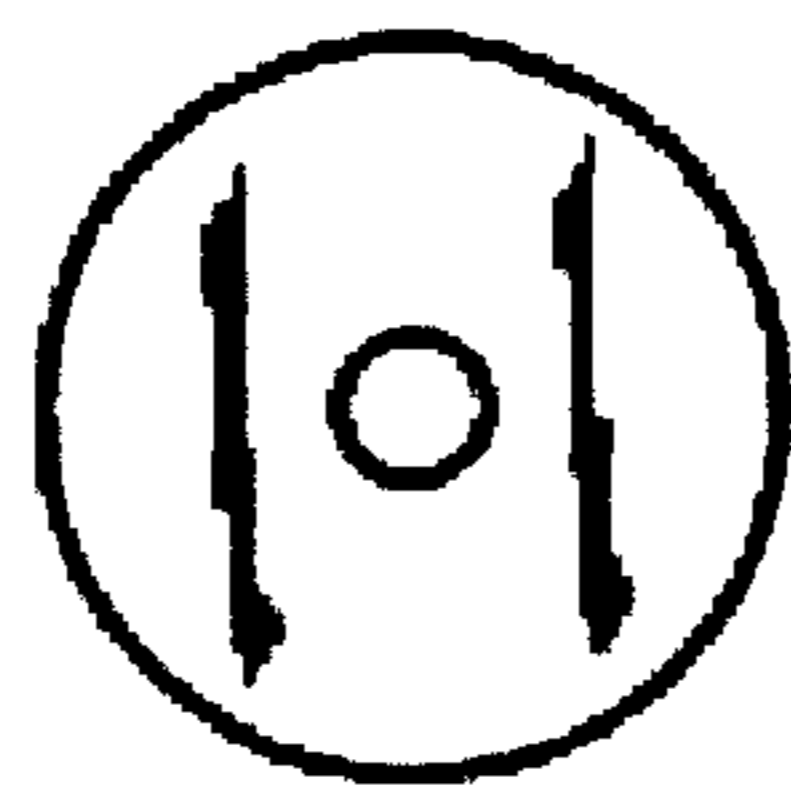
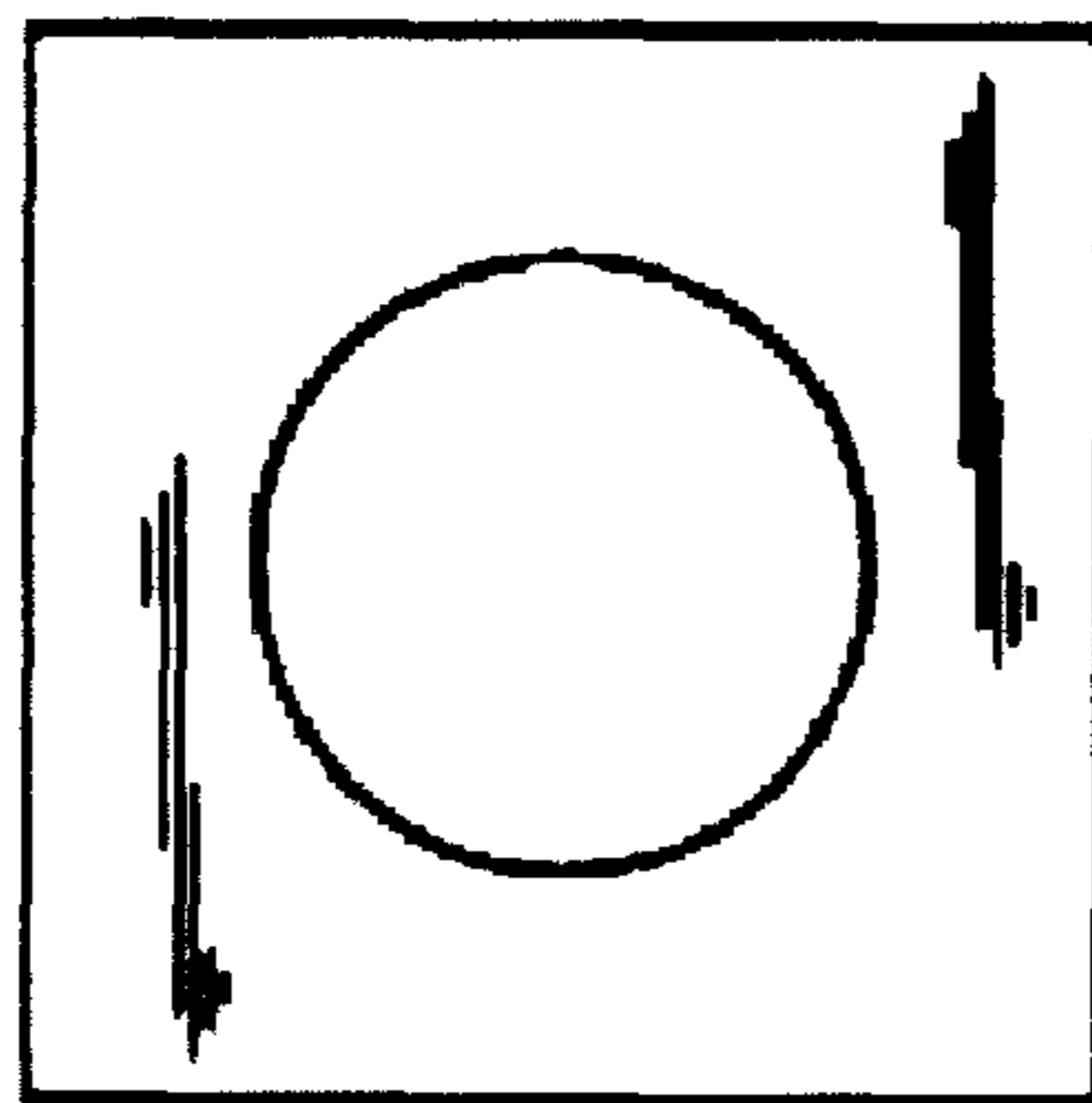


FIG. 6

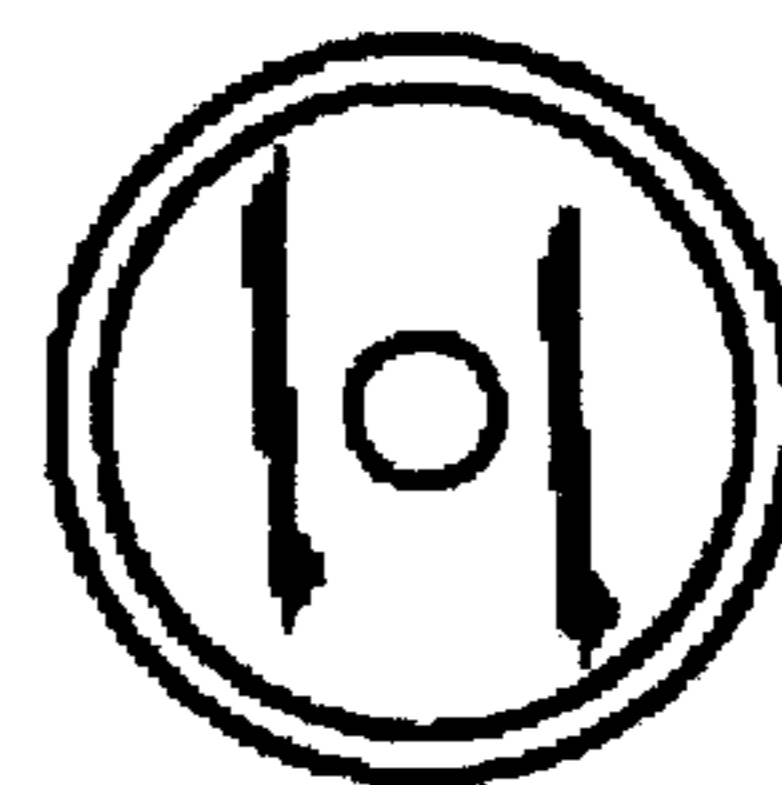
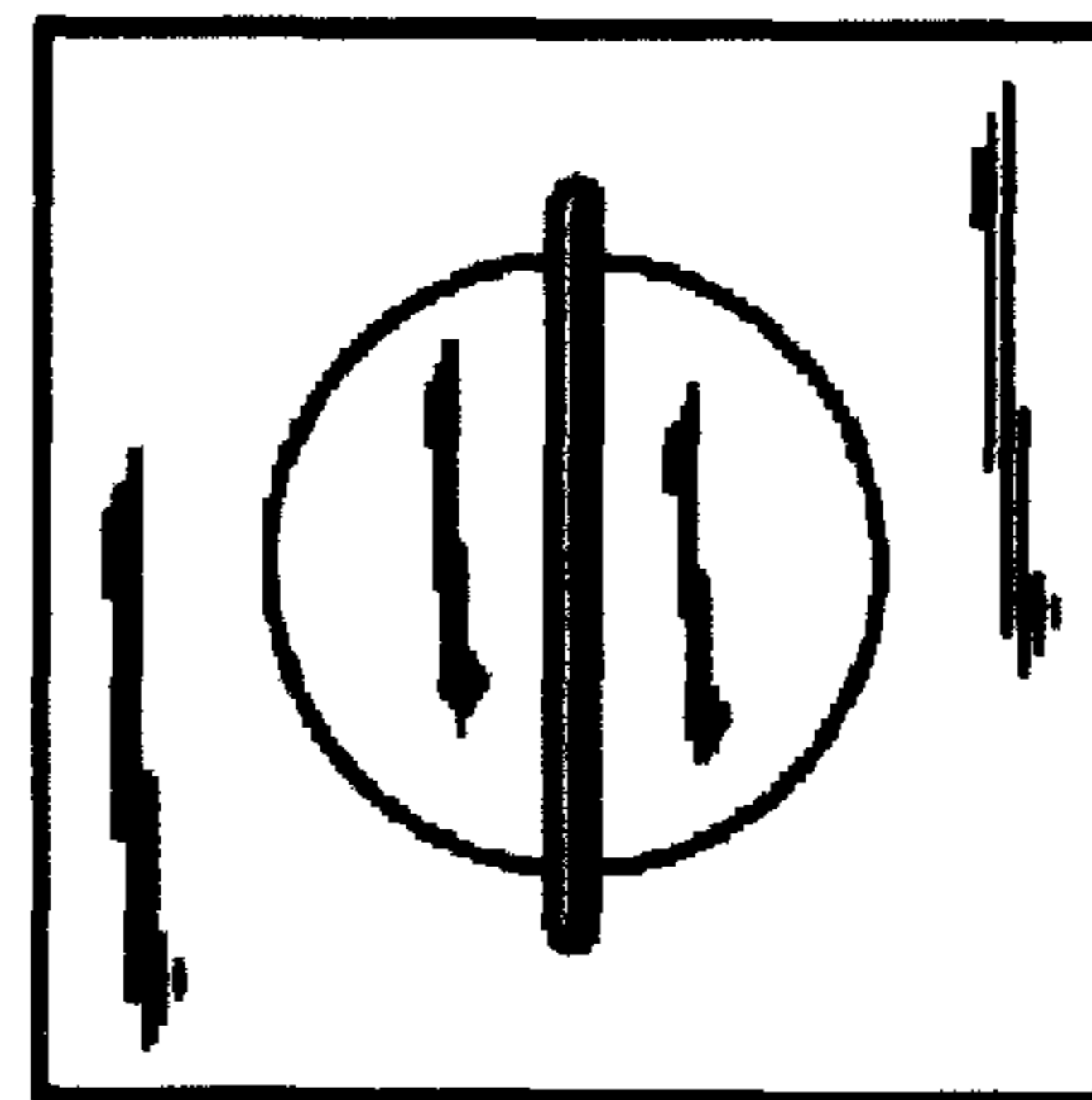


FIG. 7

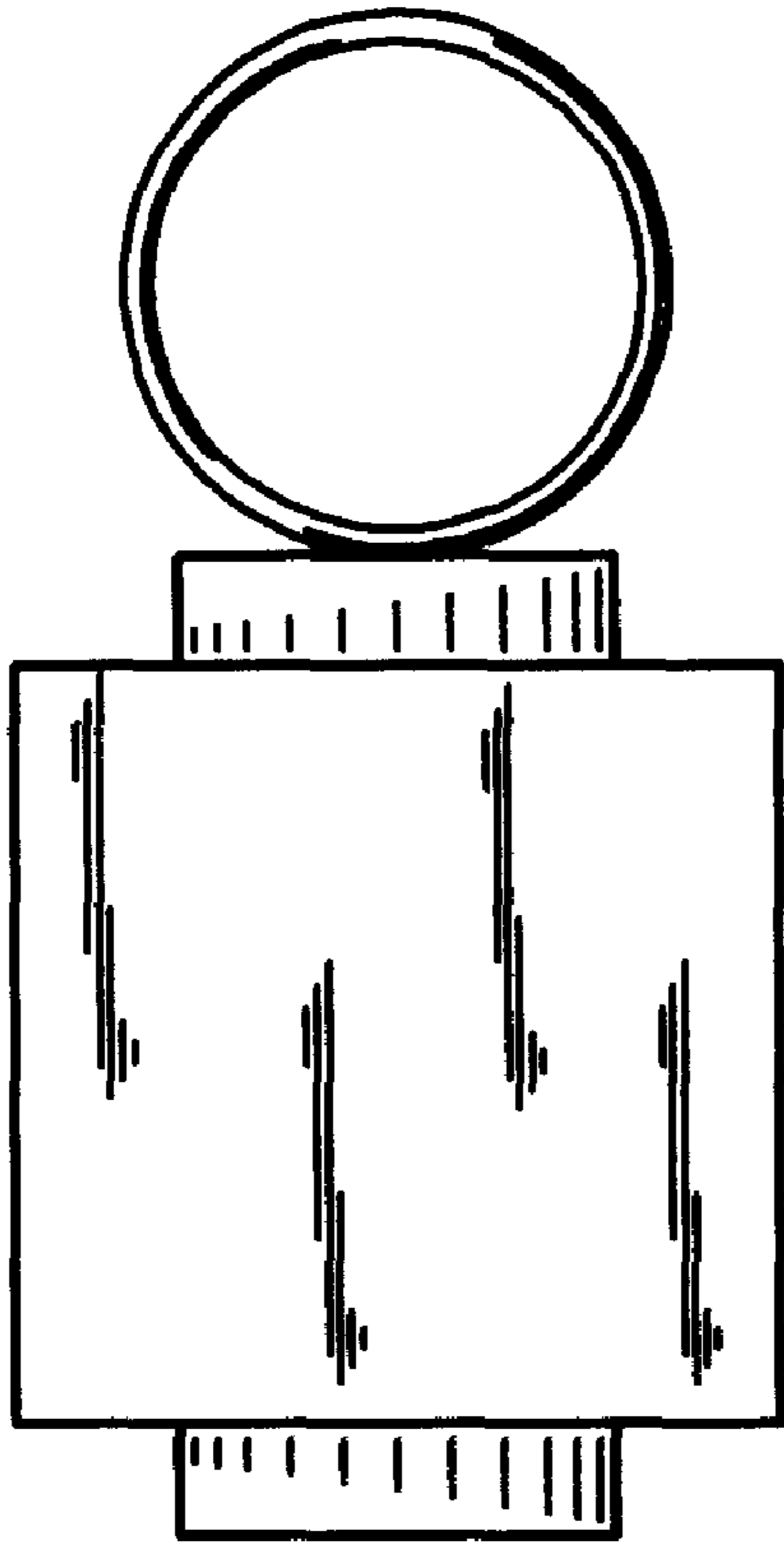


FIG. 8

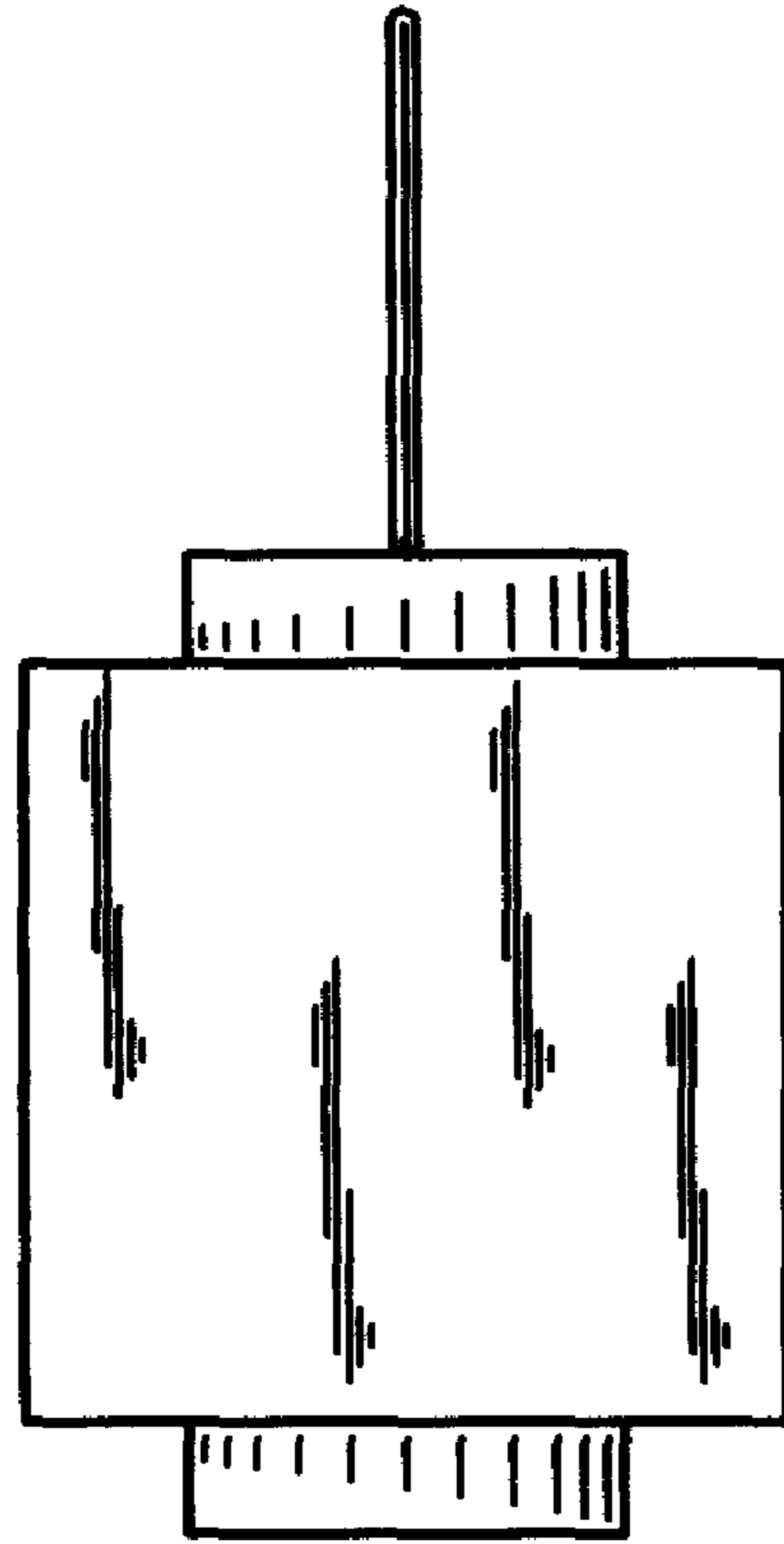


FIG. 9

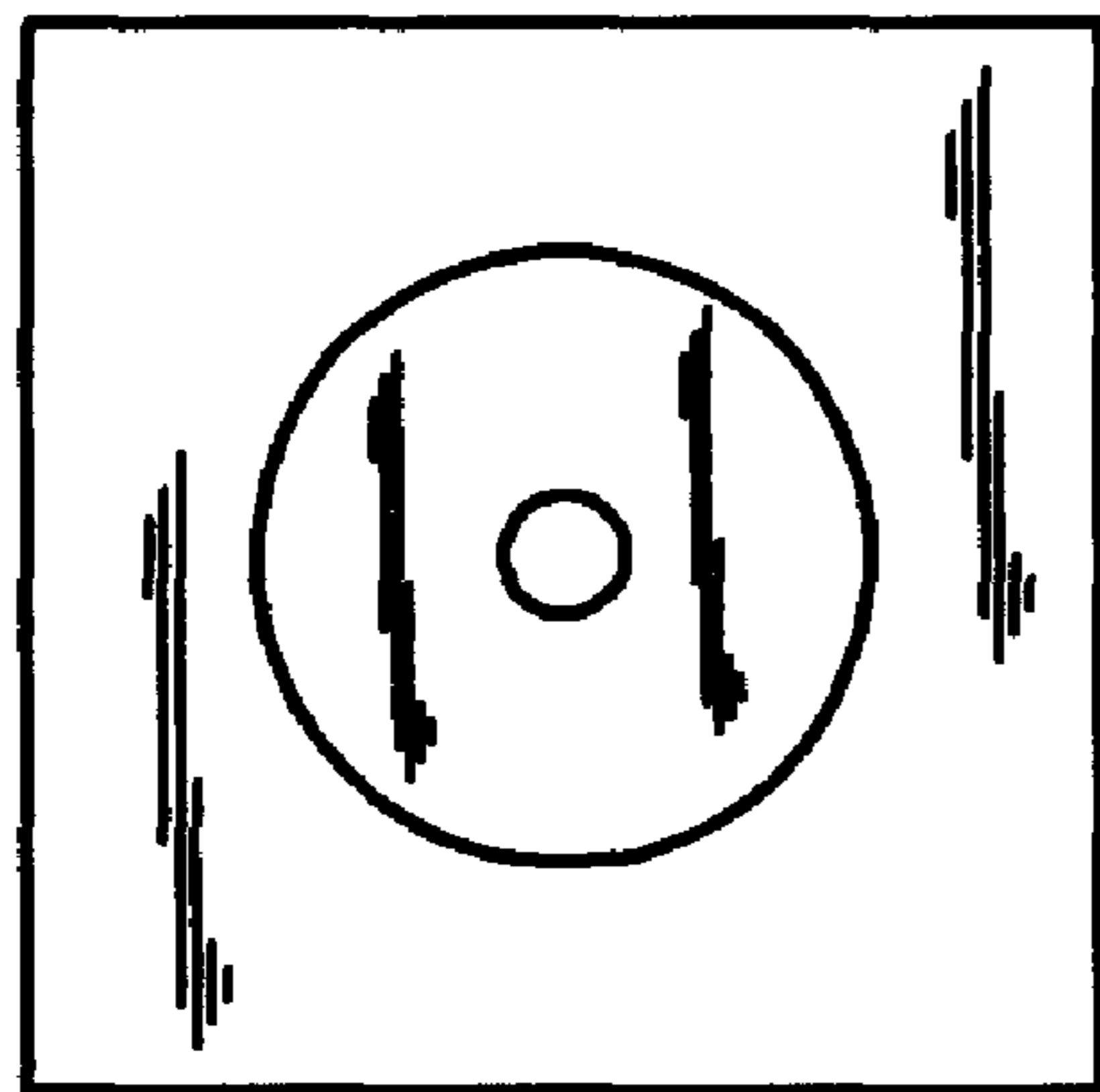


FIG. 10

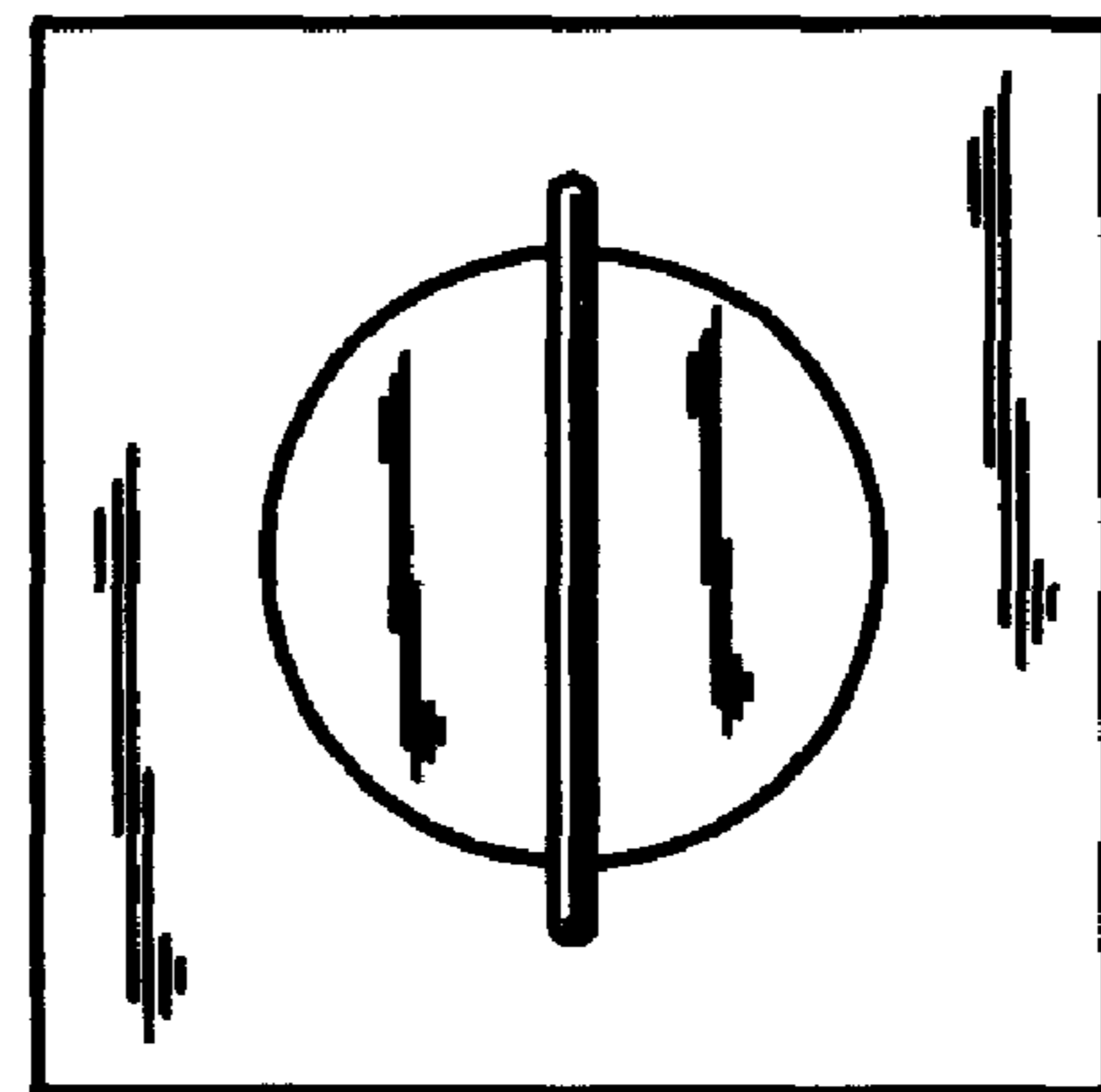


FIG. 11