



US00D535577S

(12) **United States Design Patent**
Wong

(10) **Patent No.:** **US D535,577 S**

(45) **Date of Patent:** **** Jan. 23, 2007**

(54) **MINI MAGNETIC LOCATOR**

Primary Examiner—Antoine D. Davis

(75) **Inventor:** **Harry Wong**, South Pasadena, CA (US)

(57) **CLAIM**

(73) **Assignee:** **Valtra, Inc.**, Pico Rivera, CA (US)

The ornamental design for a mini magnetic locator, as shown and described.

(**) **Term:** **14 Years**

(21) **Appl. No.:** **29/231,392**

(22) **Filed:** **Jun. 3, 2005**

(51) **LOC (8) Cl.** **10-04**

(52) **U.S. Cl.** **D10/74**

(58) **Field of Classification Search** D10/74;

211/DIG. 1; 248/309.4, 304, 339; 224/904,

224/183, 240, 666, 918, 678, 242

See application file for complete search history.

DESCRIPTION

FIG. 1 is a front elevational view of a mini magnetic locator showing my new design;

FIG. 2 is a rear elevational view thereof;

FIG. 3 is a top plan view thereof;

FIG. 4 is a bottom plan view thereof;

FIG. 5 is a left side elevation view thereof;

FIG. 6 is a right side elevation view thereof;

FIG. 7 is a perspective view showing the front, top, and right side thereof; and,

FIG. 8 is a perspective view showing the rear, top, and left side thereof.

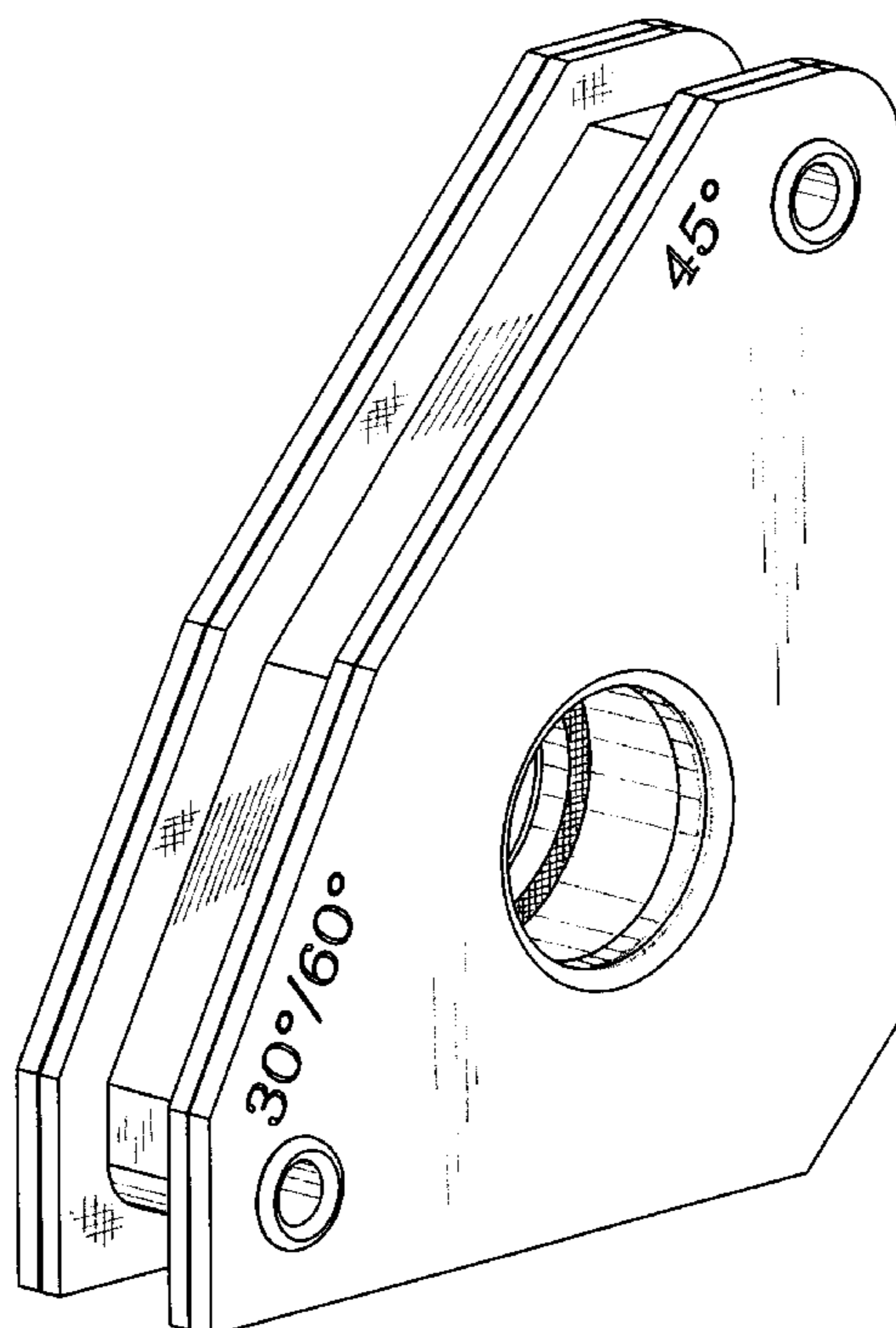
(56) **References Cited**

U.S. PATENT DOCUMENTS

2005/0242255 A1 * 11/2005 Sturt et al. 248/304

* cited by examiner

1 Claim, 4 Drawing Sheets



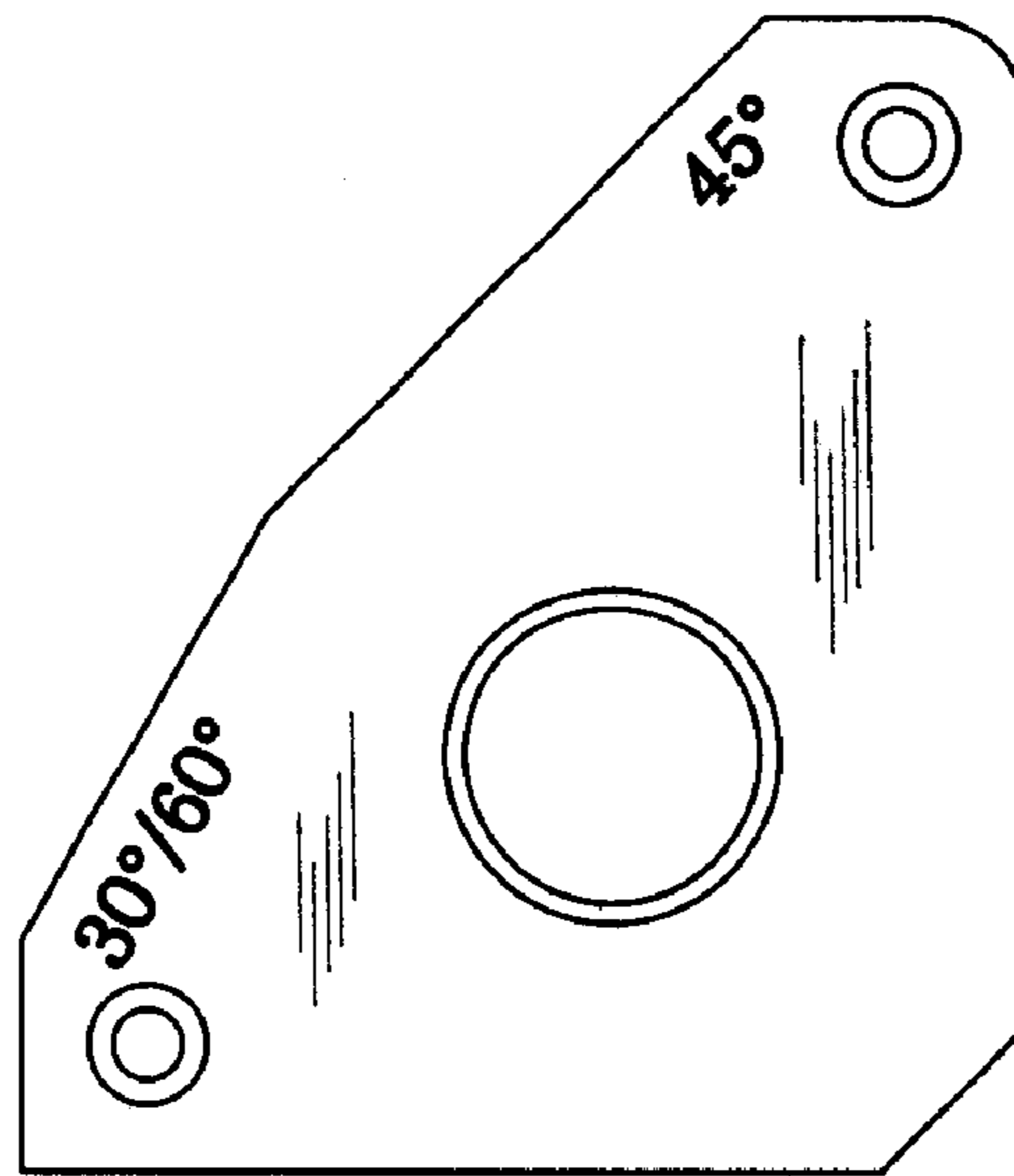


FIG.1

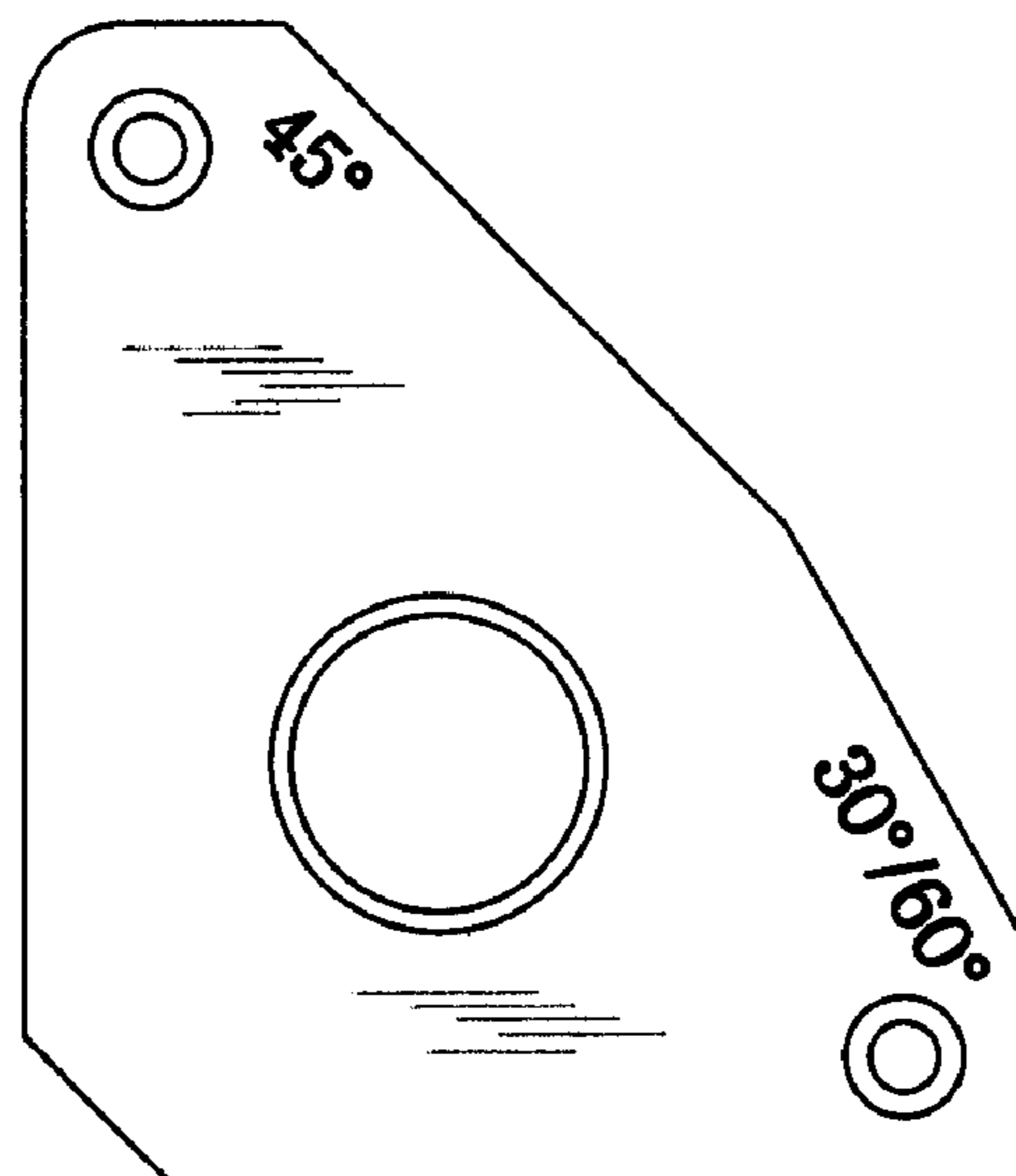


FIG.2

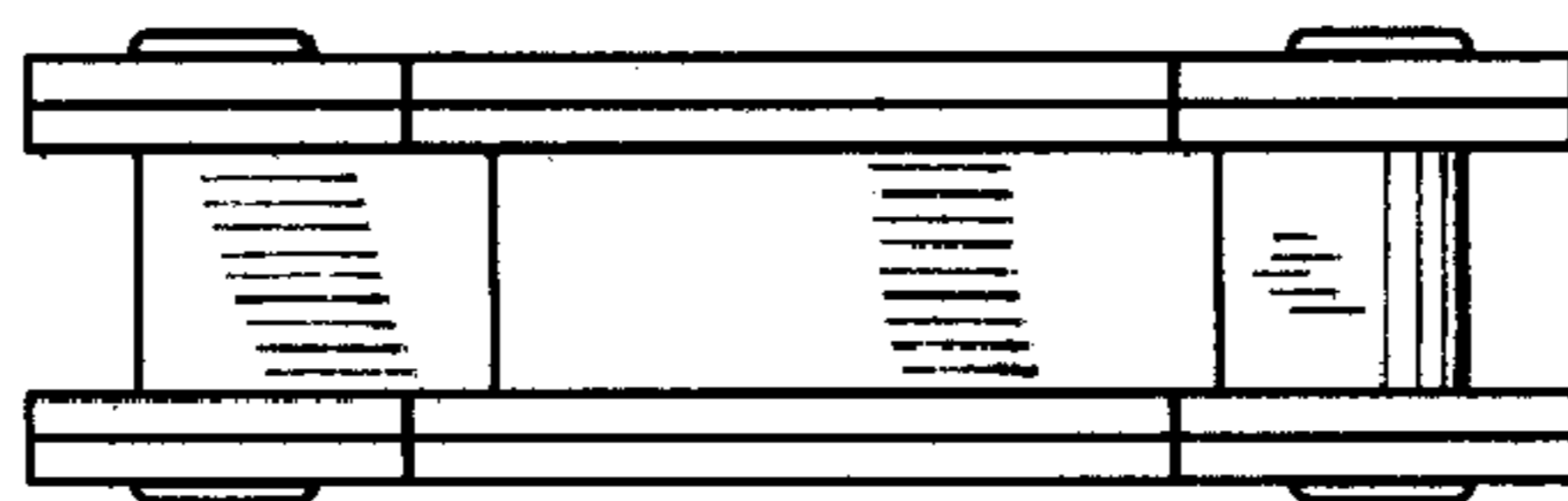


FIG.3

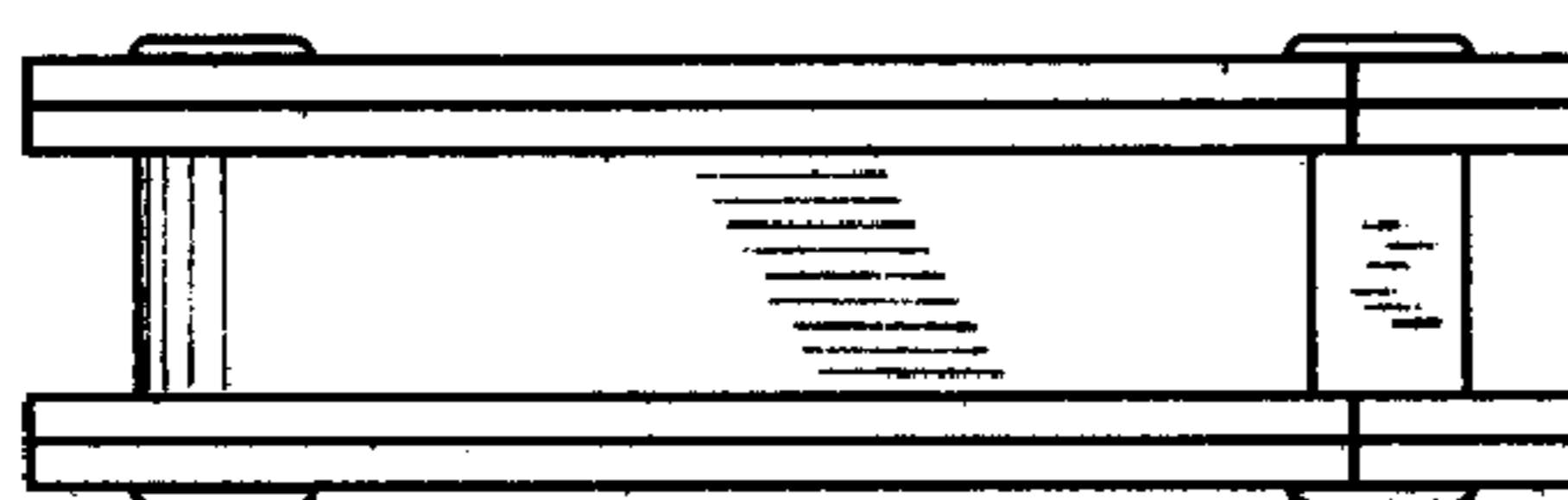


FIG.4

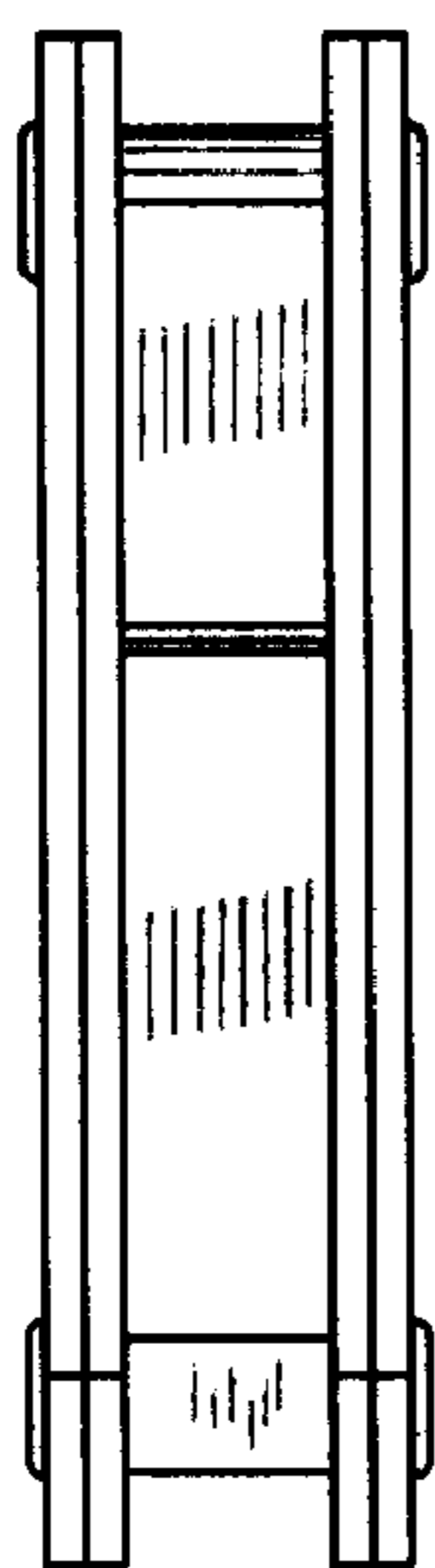


FIG.5

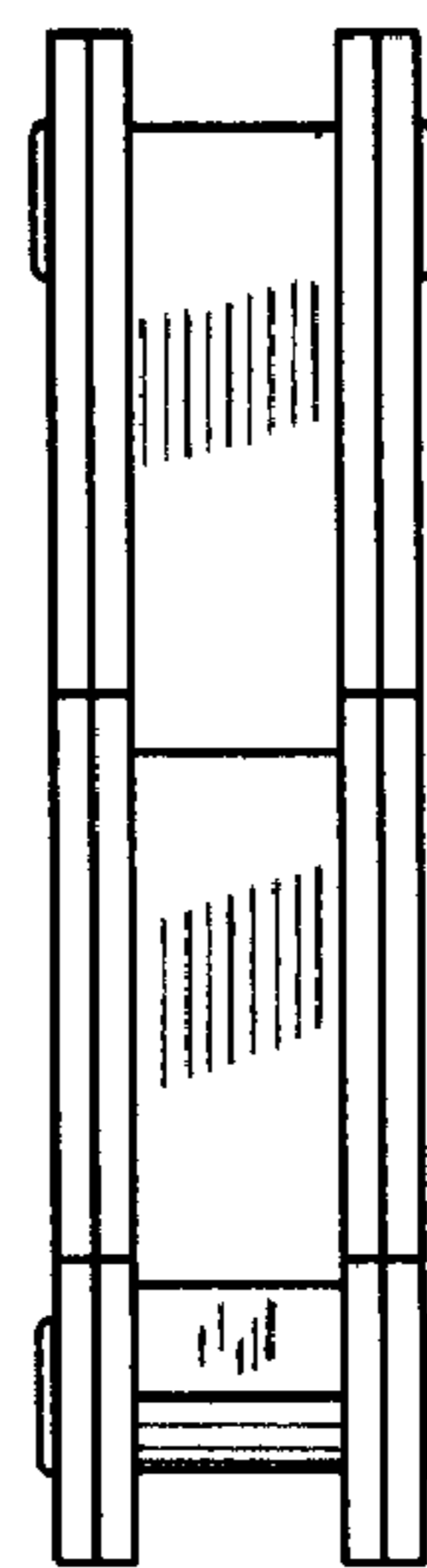


FIG.6

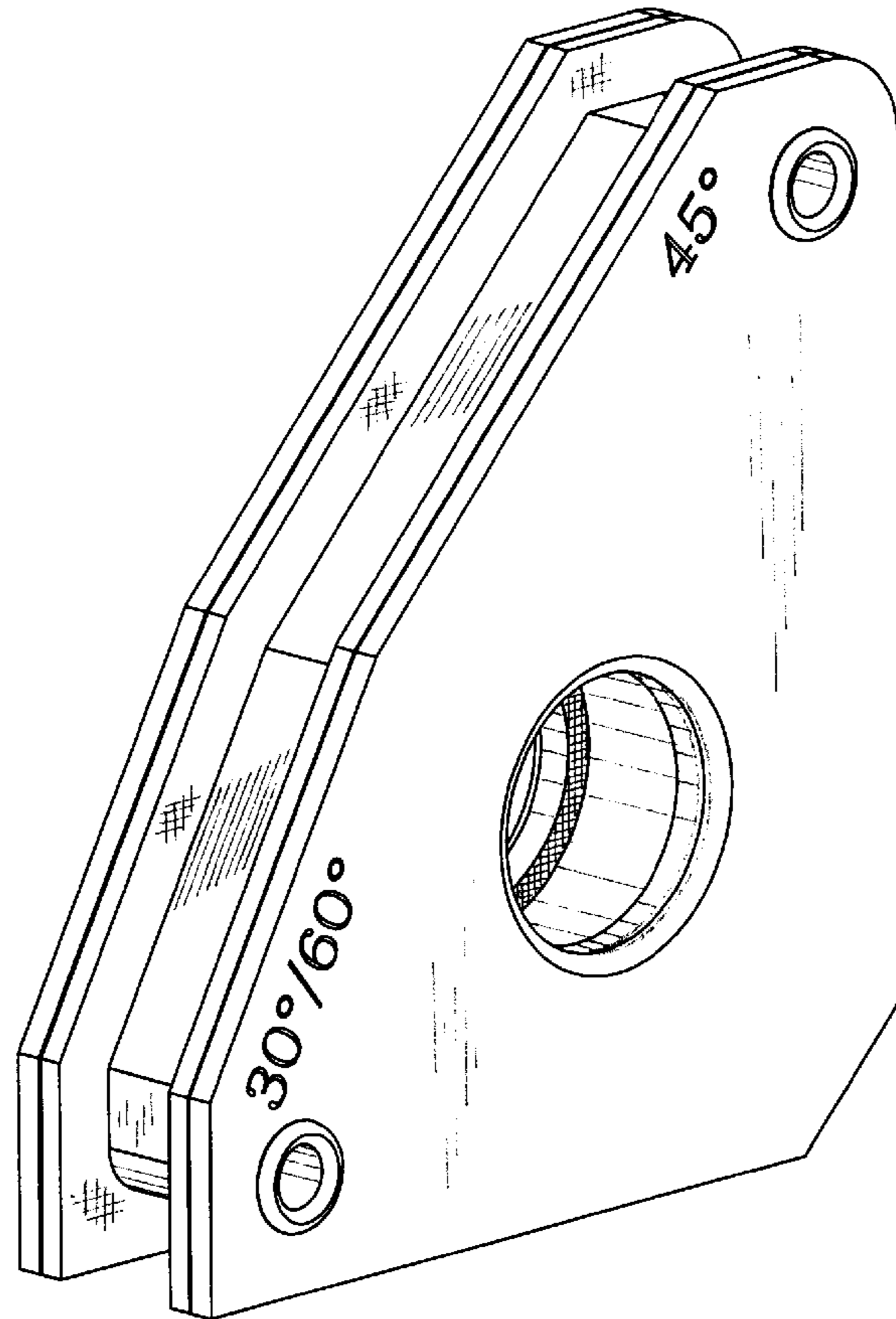


FIG.7

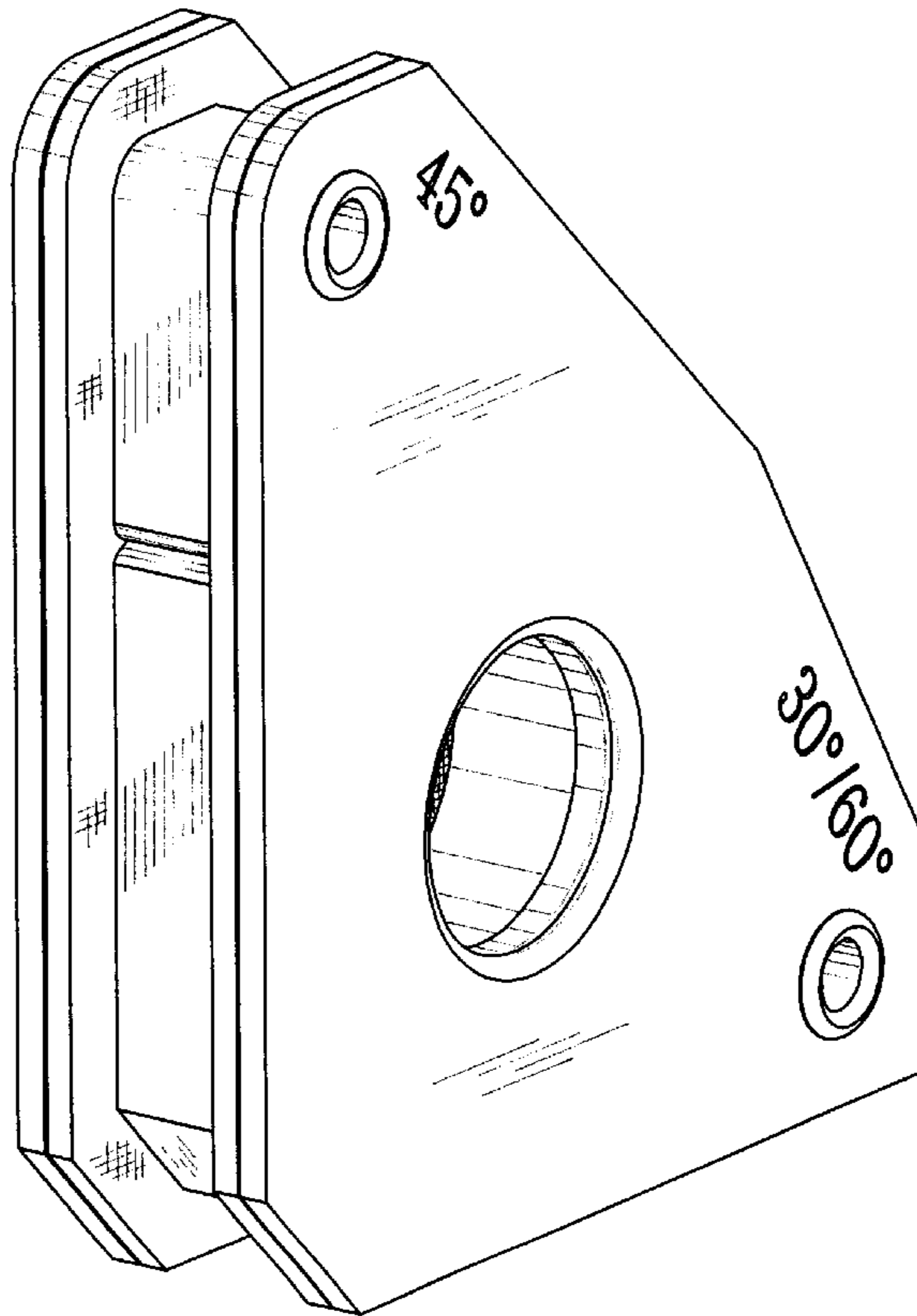


FIG.8