



US00D535576S

(12) **United States Design Patent**
Schäfer et al.

(10) **Patent No.:** **US D535,576 S**

(45) **Date of Patent:** **** Jan. 23, 2007**

(54) **ELECTRONIC SPIRIT LEVEL**

(75) Inventors: **Wolfgang Schäfer**, Albersweller (DE);
Gabriel Kallabis, Spirkelbach (DE);
Daniel Busam, Godramstein (DE)

(73) Assignee: **Stabila Messgerate Gustav Ullrich GmbH**, Annweiler (DE)

(**) Term: **14 Years**

(21) Appl. No.: **29/259,356**

(22) Filed: **May 8, 2006**

(30) **Foreign Application Priority Data**

Nov. 22, 2005 (EM) 000434980-0001

(51) **LOC (8) Cl.** **10-04**

(52) **U.S. Cl.** **D10/69**

(58) **Field of Classification Search** D10/69,
D10/74; 33/365, 366.11-366.27, 367-391
See application file for complete search history.

(56) **References Cited**

U.S. PATENT DOCUMENTS

D343,363 S * 1/1994 Wright D10/69

D459,251 S * 6/2002 Scheyer D10/69
D498,152 S * 11/2004 Hickey D10/69
D503,636 S * 4/2005 Kim D10/69
D525,543 S * 7/2006 Kallabis D10/69
2005/0039341 A1 * 2/2005 Hickey 33/365

* cited by examiner

Primary Examiner—Antoine D. Davis

Assistant Examiner—Patricia Palasik

(74) *Attorney, Agent, or Firm*—Dennison, Schultz & MacDonald

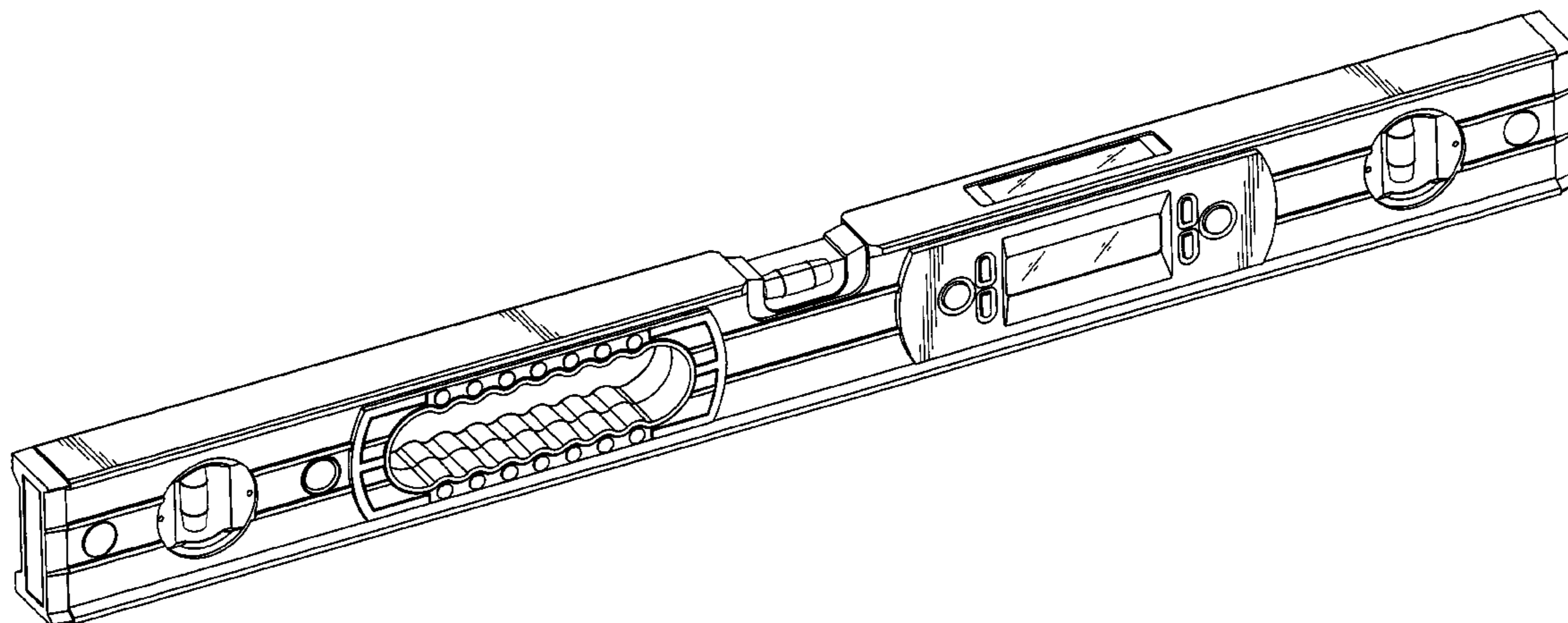
(57) **CLAIM**

The ornamental design for an electronic spirit level, as shown and described.

DESCRIPTION

FIG. 1= is a first perspective view of the spirit level;
FIG. 2= is a second perspective view of the spirit level;
FIG. 3= is a front view of the spirit level;
FIG. 4= is a rear view of the spirit level;
FIG. 5= is a top side view of the spirit level;
FIG. 6= is a bottom view of the spirit level;
FIG. 7= is a first end face view of the spirit level; and,
FIG. 8= is a second end face view of the spirit level.

1 Claim, 4 Drawing Sheets



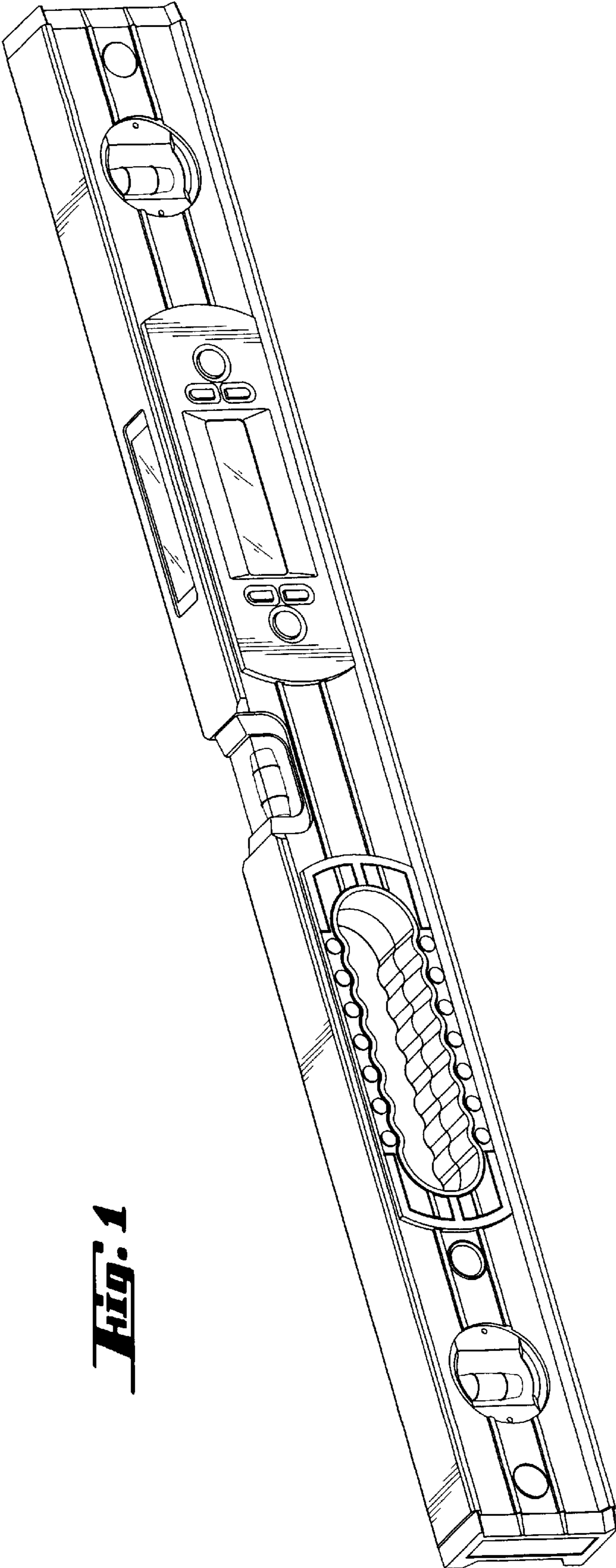


Fig. 1

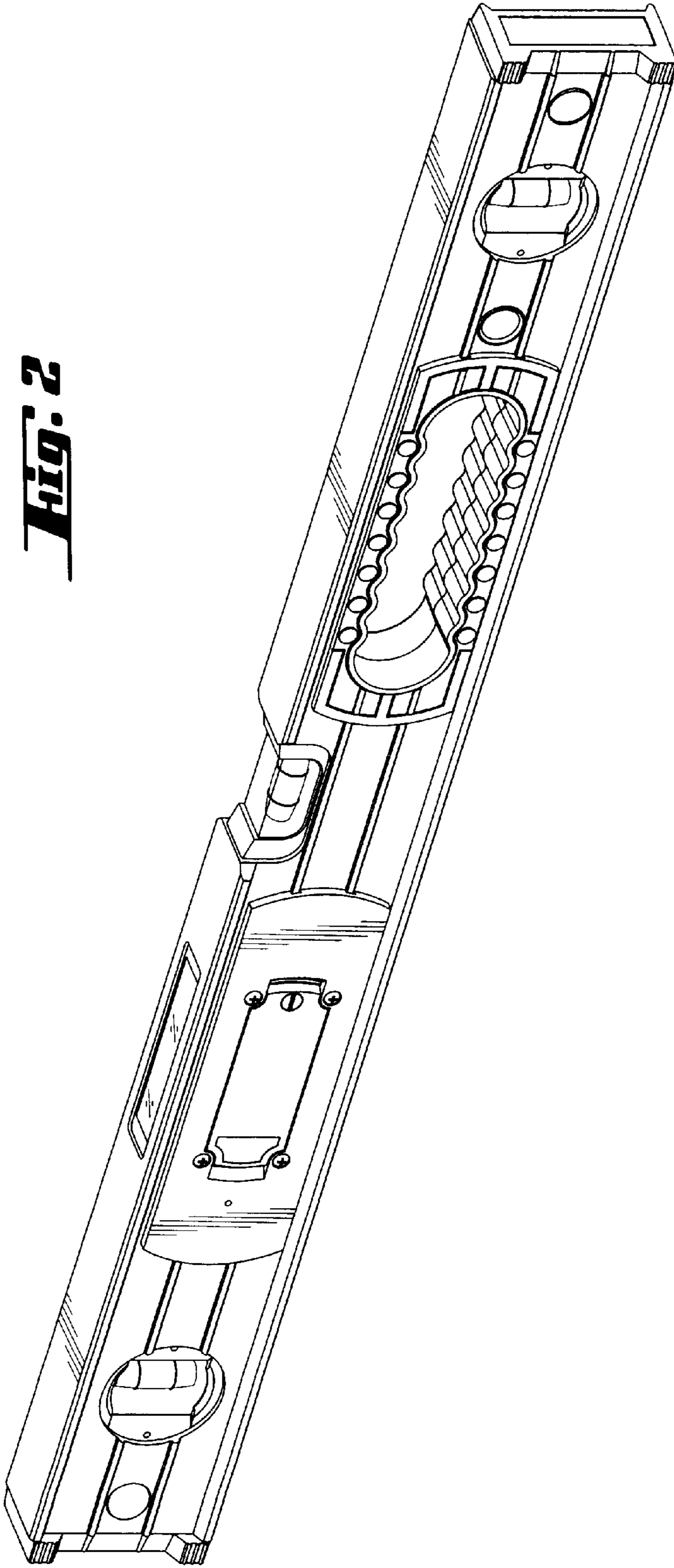


Fig. 2

Fig. 3

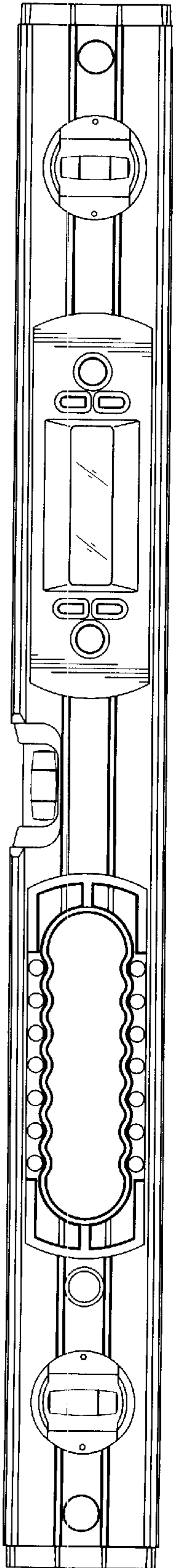


Fig. 4

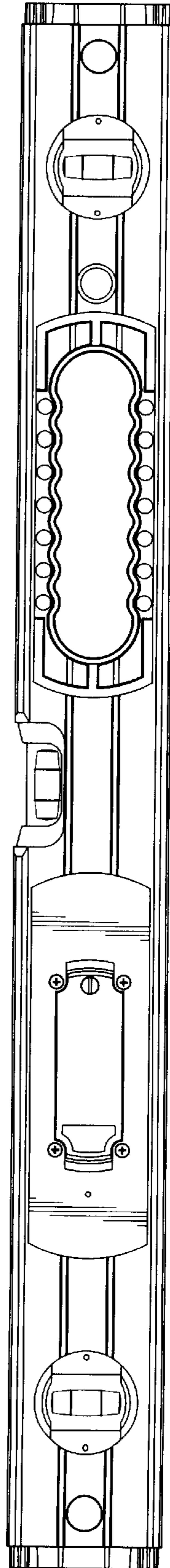


Fig. 5

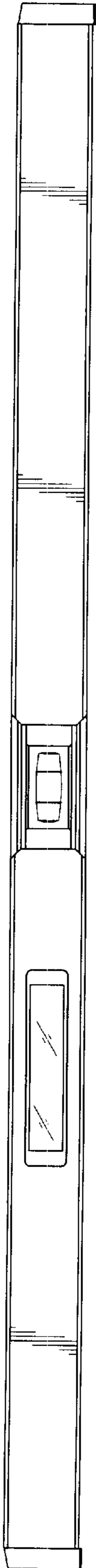


Fig. 6

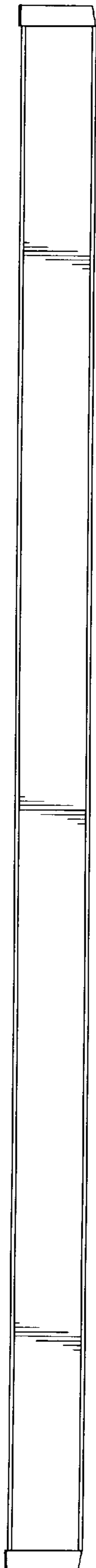


Fig. 7

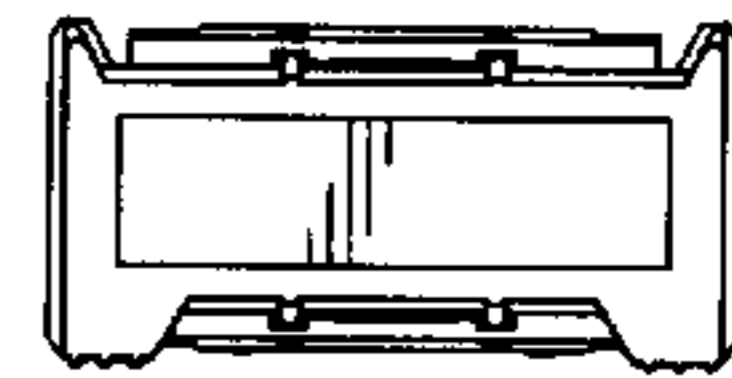


Fig. 8

