



US00D535574S

(12) **United States Design Patent**  
**Miller**

(10) **Patent No.:** **US D535,574 S**  
(45) **Date of Patent:** **\*\* Jan. 23, 2007**

(54) **TEMPERATURE SENSOR**

(75) Inventor: **David Eli Miller**, Vancouver (CA)

(73) Assignee: **Xantrex International**, St. Michael (BB)

(\*\*) Term: **14 Years**

(21) Appl. No.: **29/219,132**

(22) Filed: **Dec. 14, 2004**

(30) **Foreign Application Priority Data**

Nov. 12, 2004 (CA) ..... 108993

(51) **LOC (8) Cl.** ..... **10-04**

(52) **U.S. Cl.** ..... **D10/52**

(58) **Field of Classification Search** ..... D10/52,  
D10/53-56; 374/16, 100, 208

See application file for complete search history.

(56) **References Cited**

**U.S. PATENT DOCUMENTS**

- 4,453,835 A \* 6/1984 Clawson et al. .... 374/208
- D343,130 S \* 1/1994 Gambill et al. .... D10/52
- D501,799 S \* 2/2005 Yamamoto et al. .... D10/52
- D509,452 S \* 9/2005 Morikawa et al. .... D10/52

**OTHER PUBLICATIONS**

Pro sine 2.0 Battery Temperature Sensor, Xantrex Technology Inc., Sep. 28, 2001.

Battery Temperature Sensor, Xantrex Technology Inc., Nov. 10, 1999.

\* cited by examiner

*Primary Examiner*—Gary Watson  
*Assistant Examiner*—Patricia Palasik

(57) **CLAIM**

The ornamental design for a temperature sensor, as shown and described.

**DESCRIPTION**

FIG. 1 is a perspective view of a temperature sensor according to our new design;

FIG. 2 is an inverted right hand side elevational view of the temperature sensor of FIG. 1;

FIG. 3 is a bottom view of the temperature sensor of FIG. 1;

FIG. 4 is a top plan view of the temperature sensor of FIG. 1;

FIG. 5 is a front elevational view of the temperature sensor of FIG. 1;

FIG. 6 is a left hand side elevational view of the temperature sensor of FIG. 1; and,

FIG. 7 is a rear elevational view of the temperature sensor of FIG. 1.

The broken line showing of certain components of the temperature sensor to which the design is applied, is for illustrative purposes only and forms no part of the claimed design.

**1 Claim, 1 Drawing Sheet**

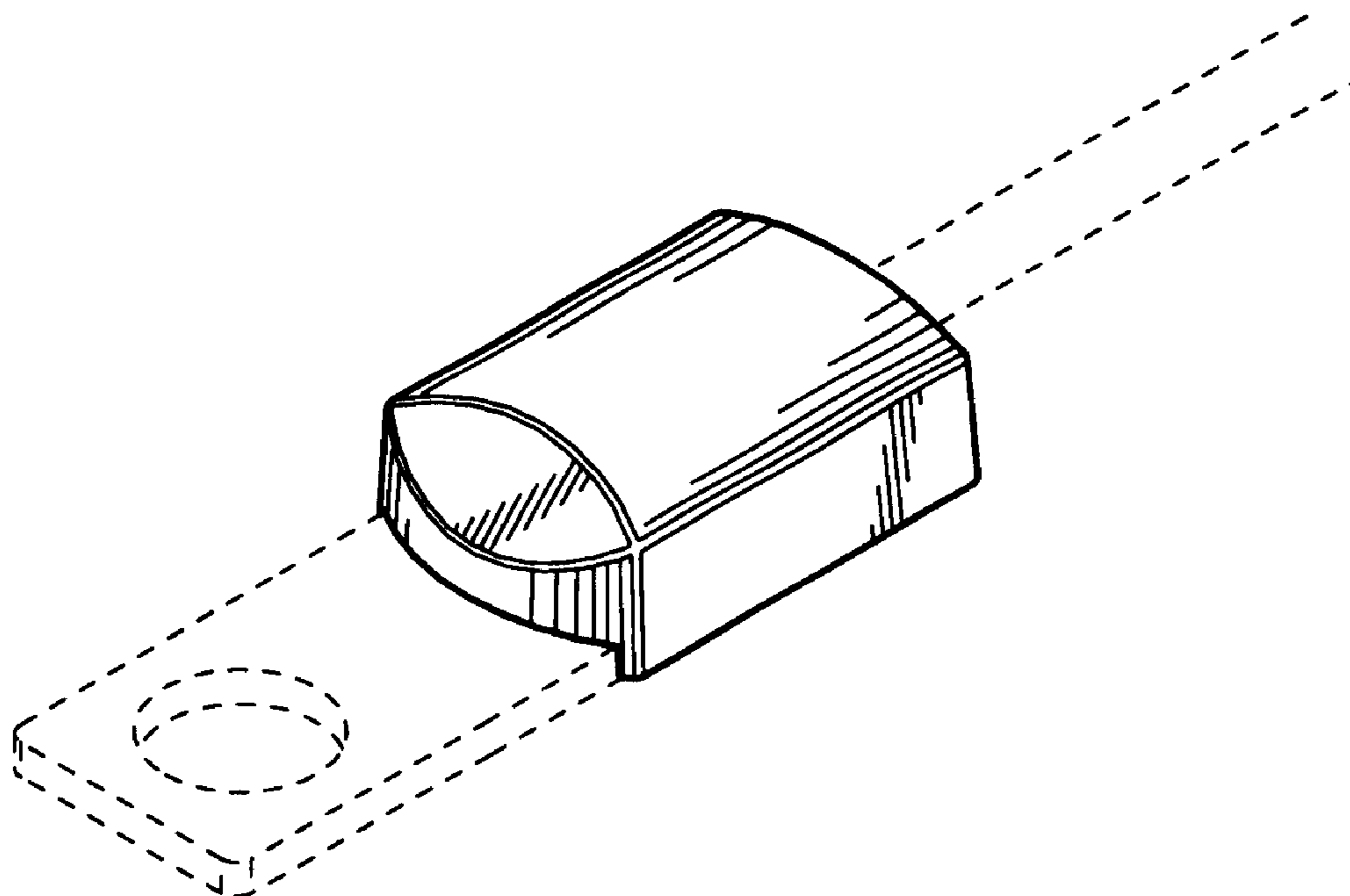


FIG. 1

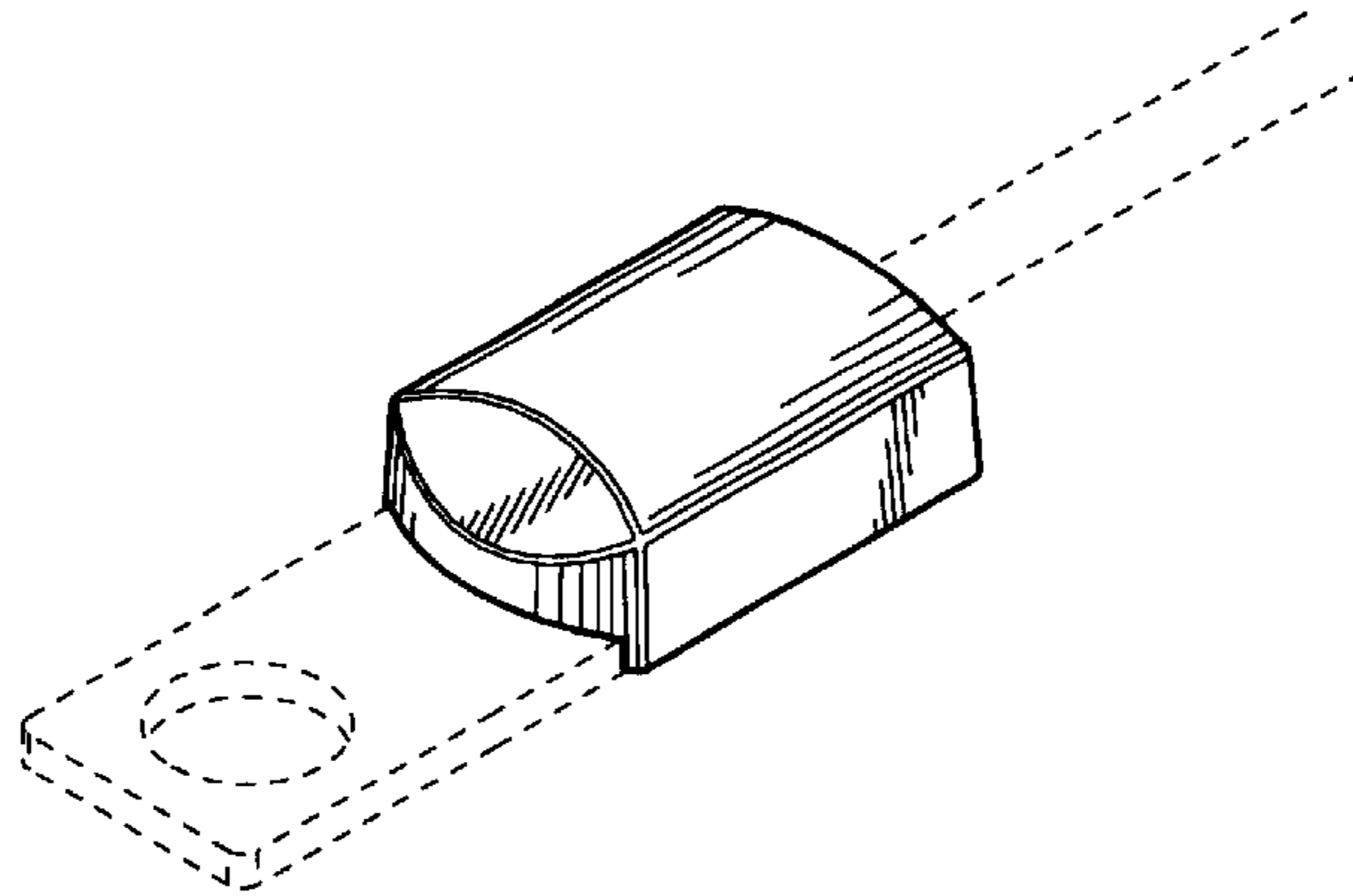


FIG. 2

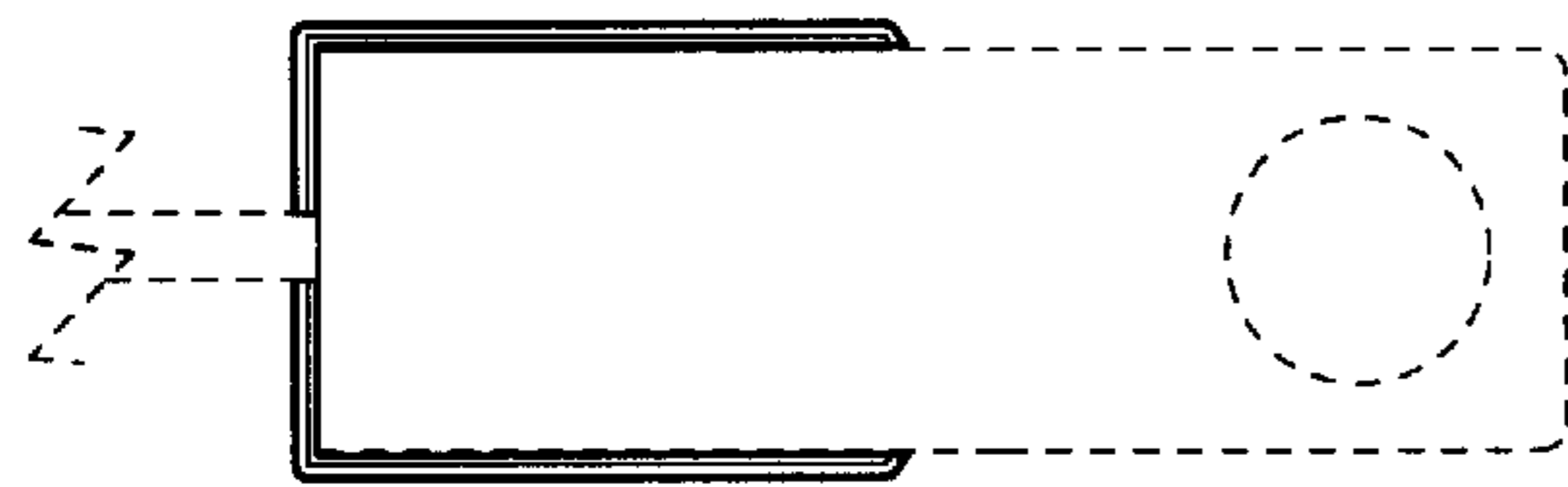


FIG. 3

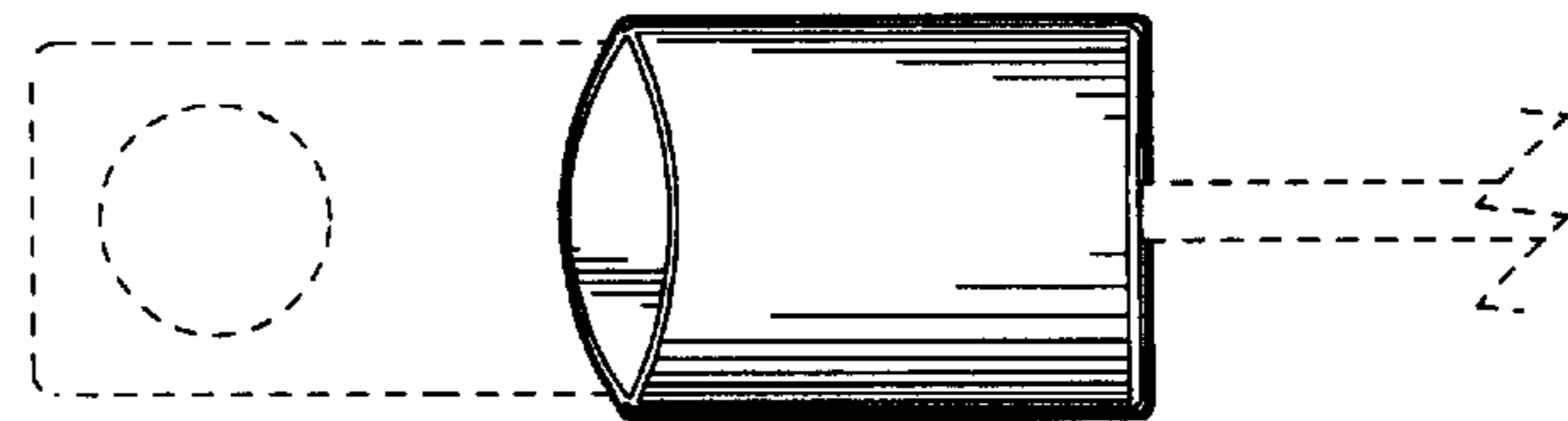


FIG. 4

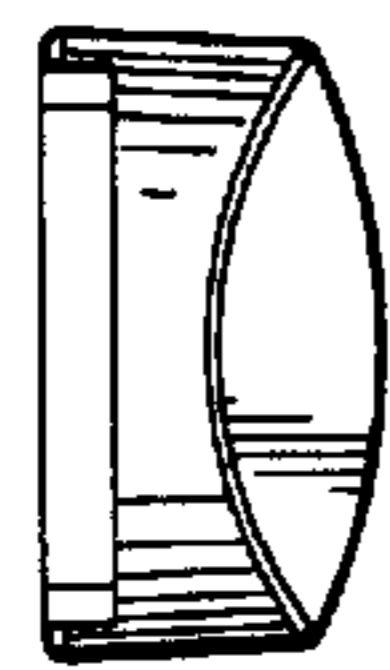


FIG. 5



FIG. 6

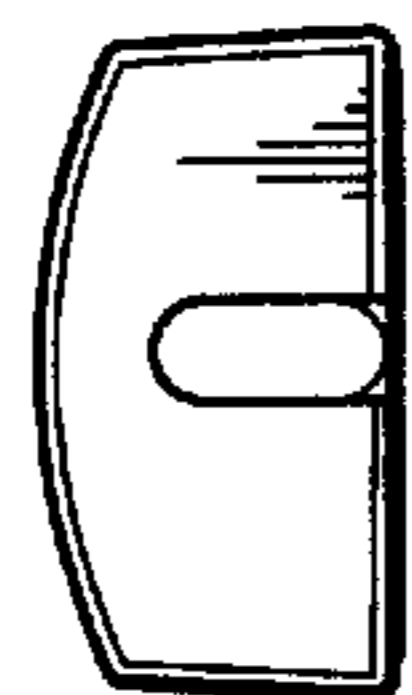


FIG. 7