



US00D535573S

(12) **United States Design Patent** (10) **Patent No.:** **US D535,573 S**
Barton et al. (45) **Date of Patent:** **** Jan. 23, 2007**

(54) **THERMOSTAT HOUSING**

(75) Inventors: **Eric Barton**, Eden Prairie, MN (US);
Christian Trifilio, St. Paul, MN (US);
Paul Meyers, Fishers, IN (US)

(73) Assignee: **Honeywell International Inc.**,
Morristown, NJ (US)

(**) Term: **14 Years**

(21) Appl. No.: **29/246,305**

(22) Filed: **Mar. 30, 2006**

Related U.S. Application Data

(62) Division of application No. 29/224,347, filed on Feb. 28,
2005, now Pat. No. Des. 525,541.

(51) **LOC (8) Cl.** **10-04**

(52) **U.S. Cl.** **D10/50**

(58) **Field of Classification Search** D10/49-50;
236/46 R, 47, 49.3, 51, 84, 94; 400/485
See application file for complete search history.

(56) **References Cited**

U.S. PATENT DOCUMENTS

- 4,079,366 A 3/1978 Wong
- 4,174,807 A 11/1979 Smith et al.
- 4,206,872 A 6/1980 Levine
- 4,264,034 A 4/1981 Hyltin et al.
- 4,298,946 A 11/1981 Hartsell et al.
- 4,308,991 A 1/1982 Peinetti et al.
- 4,337,822 A 7/1982 Hyltin et al.
- 4,382,544 A 5/1983 Stewart
- 4,386,649 A 6/1983 Hines et al.
- 4,388,692 A 6/1983 Jones et al.
- 4,431,134 A 2/1984 Hendricks et al.
- 4,442,972 A 4/1984 Sahay et al.
- 4,446,913 A 5/1984 Krockner
- 4,479,604 A 10/1984 Didner
- 4,606,401 A 8/1986 Levine et al.
- 4,621,336 A 11/1986 Brown
- 4,717,333 A 1/1988 Carignan
- 4,725,001 A 2/1988 Carney et al.

- 4,837,731 A 6/1989 Levine et al.
- 4,881,686 A 11/1989 Mehta
- 4,918,439 A 4/1990 Wozniak et al.
- 4,948,040 A 8/1990 Kobayashi et al.
- 4,992,779 A 2/1991 Sugino et al.

(Continued)

FOREIGN PATENT DOCUMENTS

WO WO 01/93779 12/2001

OTHER PUBLICATIONS

Carrier, "Programmable Dual Fuel Thermostat," Installation, Start-Up & Operating Instructions, pp. 1-12, Oct. 1998.

Carrier, "Programmable Thermostats," Installation, Start-Up & Operating Instructions, pp. 1-16, Sep. 1998.

Carrier, "Standard Programmable Thermostat," Homeowner's Manual, pp. 1-8 pages, 1998.

Carrier, "Thermostat Control," Installation, Start-Up & Operating Instructions, pp. 1-12, Aug. 1999.

CorAccess, "Companion 6," User Guide, pp. 1-20, Jun. 17, 2002.

(Continued)

Primary Examiner—Antoine D. Davis

(57) **CLAIM**

The ornamental design for a thermostat housing, as shown and described.

DESCRIPTION

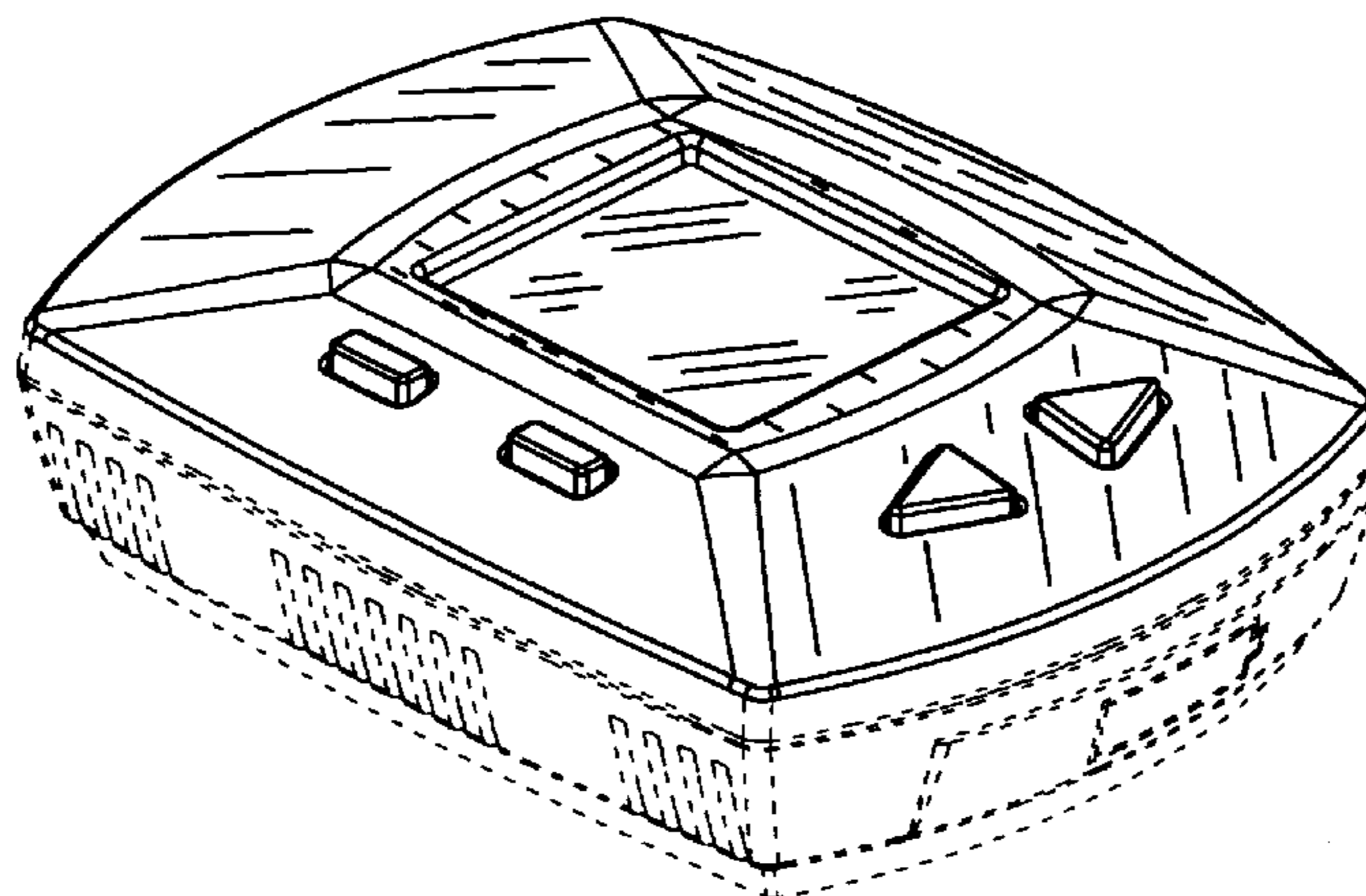
FIG. 1 is a perspective view of a thermostat housing; FIG. 2 is a front elevation view of the thermostat housing of FIG. 1;

FIGS. 3-6 are left, bottom, right and top views of the thermostat housing of FIG. 1; and,

FIG. 7 is a front elevation view of another thermostat housing.

The portions illustrated in broken lines on the figures are for illustrative purposes only and form no part of the claimed design.

1 Claim, 7 Drawing Sheets



U.S. PATENT DOCUMENTS

4,997,029 A 3/1991 Otsuka et al.
 5,012,973 A 5/1991 Dick et al.
 5,038,851 A 8/1991 Metha
 5,065,813 A 11/1991 Berkeley et al.
 5,088,645 A 2/1992 Bell
 5,161,606 A 11/1992 Berkeley et al.
 5,181,653 A 1/1993 Foster et al.
 5,230,482 A 7/1993 Ratz et al.
 5,259,445 A 11/1993 Pratt et al.
 5,329,991 A 7/1994 Mehta et al.
 5,348,078 A 9/1994 Dushane et al.
 D361,287 S 8/1995 Guy et al.
 5,482,209 A 1/1996 Cochran et al.
 D367,430 S 2/1996 Greenburg et al.
 5,526,422 A 6/1996 Keen
 5,537,106 A 7/1996 Mitcuhashi
 5,566,879 A 10/1996 Longtin
 5,570,837 A 11/1996 Brown et al.
 5,673,850 A 10/1997 Uptegraph
 5,782,296 A 7/1998 Metha
 5,873,519 A 2/1999 Beilfuss
 5,901,183 A 5/1999 D' Souza
 5,902,183 A 5/1999 D' Souza
 5,937,942 A 8/1999 Bias et al.
 6,032,867 A 3/2000 Dushane et al.
 6,196,467 B1 3/2001 Dushane et al.
 6,208,331 B1 3/2001 Singh et al.
 6,315,211 B1 11/2001 Sartain et al.
 6,318,639 B1 11/2001 Toth
 6,351,693 B1 2/2002 Monie et al.
 6,502,758 B2 1/2003 Cottrell
 6,513,723 B1 2/2003 Mueller et al.
 6,518,957 B1 2/2003 Lehtinen et al.
 6,581,846 B1 6/2003 Rosen
 6,595,430 B1 7/2003 Shah
 2002/0005435 A1 1/2002 Cottrell
 2003/0034897 A1 2/2003 Shamoon et al.
 2003/0034898 A1 2/2003 Shamoon et al.
 2003/0121652 A1 7/2003 Carey et al.
 2003/0142121 A1 7/2003 Rosen

OTHER PUBLICATIONS

<http://www.thermostatsales.com>, Robertshaw, "9610 Digital Programmable Thermostat," 3 pages, printed Jun. 17, 2004.

<http://www.thermostatsales.com>, Robertshaw, "9700 Deluxe Programmable Thermostat," 3 pages, printed Jun. 17, 2004.

<http://www.thermostatsales.com>, Robertshaw, "9710 Deluxe Programmable Thermostat," 3 pages, printed Jun. 17, 2004.

<http://www.thermostatsales.com>, Robertshaw, "9720 Deluxe Programmable Thermostat," 3 pages, printed Jun. 17, 2004.

Hunter, "44200/44250," Owner's Manual, 32 pages, prior to Feb. 28, 2005.

Hunter, "44300/44350," Owner's Manual, 35 pages, prior to Feb. 28, 2005.

Hunter, "Auto Saver 550", Owner's Manual Model 44550, 44 pages, prior to Feb. 28, 2005.

http://www.ritetemp.info/rtMenu_—.html, Rite Temp 8082, 8 pages, printed Jun. 20, 2003.

www.icmcontrols.com, Simplecomfort, SC3000 Single Stage Heat/Single Stage Cool or Single Stage Heat Pump/Manual Changeover, 1 page, prior to Feb. 28, 2005.

www.icmcontrols.com, Simplecomfort, SC3001 Single Stage Heat/Single Stage Cool or Single Stage Heat Pump/Manual Changeover, 1 page, prior to Feb. 28, 2005.

www.icmcontrols.com, Simplecomfort, SC3006 Single Stage Heat/Single Stage Cool or Single Stage Heat Pump/Manual Changeover, 1 page, prior to Feb. 28, 2005.

www.icmcontrols.com, Simplecomfort, SC3201 2 Stage Heat Pump Manual Changeover, 1 page, prior to Feb. 28, 2005.

www.icmcontrols.com, Simplecomfort, SC3801 2 Stage Heat/2 Stage Cool 2 Stage Heat Pump/Audio Changeover, 1 page, prior to Feb. 28, 2005.

<http://www.aed.net/climatouch>, Climatouch C3, 1 page, prior to Feb. 28, 2005.

U.S. Appl. No. 29/224,346, filed Feb. 28, 2005, entitled "Thermostat Housing".

U.S. Appl. No. 29/224,399, filed Mar. 1, 2005, entitled "Thermostat Housing".

U.S. Appl. No. 29/205,143, filed May 10, 2004, entitled "Thermostat Housing".

U.S. Appl. No. 29/205,127, filed May 10, 2004, entitled "Thermostat Housing".

U.S. Appl. No. 10/726,245, filed Dec. 2, 2003, entitled "Controller Interface With Interview Programming".

U.S. Appl. No. 10/726,243, filed Dec. 2, 2003, entitled "Controller With Programmable Service Event Display Mode".

U.S. Appl. No. 10/725,826, filed Dec. 2, 2003, entitled "Controller Interface With Separate Schedule Review Mode".

U.S. Appl. No. 10/726,174, filed Dec. 2, 2003, entitled "Programmable Controller With Saving Changes Indication".

U.S. Appl. No. 10/726,247, filed Dec. 2, 2003, entitled "Controller Interface With Menu Schedule Override".

U.S. Appl. No. 10/726,201, filed Dec. 2, 2003, entitled "Controller Interface With Multiple Day Programming".

Lux, "700/9000 Series Smart Temp Electronic Thermostat," Owner's Manual, 3 pages, prior to Feb. 28, 2005.

Lux, "PSPH521 Series Programmable Heat Pump Thermostat," Owner's Manual, 3 pages, prior to Feb. 28, 2005.

Lux, "TX1500 Series Smart Temp Electronic Thermostat," Owner's Manual, 6 pages, prior to Feb. 28, 2005.

Lux, "TX500 Series Smart Temp Electronic Thermostat," Owner's Manual, 3 pages, prior to Feb. 28, 2005.

Lux, "ELVI Programmable Line Voltage Thermostat," Owner's Manual, 3 pages, prior to Feb. 28, 2005.

Metasys, "HVAC PRO for Windows User's Manual," 308 pages, 1998.

http://www.ritetemp.info/rtMenu_13.html, Rite Temp 8082, 8 pages, printed Jun. 20, 2003.

Totaline, "1 For All programmable Digital Thermostat," Owner's Manual P/N P374-1100FM, 23 pages, Nov. 1998.

Totaline, "1 For All Programmable Digital Thermostat," Owner's Manual P/N P474-1050, 21 pages, Nov. 1998.

Totaline, "1 For All Programmable Digital Thermostat," Owner's Manual P/N P374-1100, 24 pages, Apr. 2001.

Totaline, "Intellstant Combination Temperature and Humidity Control," Owner's Manual P/N P374-1600, 25 pages, Jun. 2001.

Totaline, "Programmable Thermostat Configurable for Advanced Heat Pump or Dual Fuel Operation," Owner's Manual P/N P374-1500, 24 pages, Jun. 1999.

Totaline, "Instructions P/N P474-1010", Manual, 2 pages, Dec. 1998.

Totaline, "Programmable Thermostat", Homeowner's Guide, 27 pages, Dec. 1998.

Totaline, "Wireless Programmable Digital Thermostat," Owner's Manual 474-1100RF, 21 pages, 2000.

Warmly Yours, "Model TH111GFCI-P (120 VAC)," Manual, pp. 1-4, prior to Feb. 28, 2005.

White-Rodgers, "Installation Instructions for Heating & Air Conditioning IF72 5/2 Day Programmable Heat Pump Thermostat," 8 pages, prior to Feb. 28, 2005.

White-Rodgers, "Installation Instructions for Heating & Air Conditioning IF78 5/2 Day Programmable Thermostat," 7 pages, prior to Feb. 28, 2005.

White-Rodgers, "Comfort-Set 90 Series Thermostat," Manual, pp. 1-24, prior to Feb. 28, 2005.

White-Rodgers, "Comfort-Set III Thermostat," Manual, pp. 1-44, prior to Feb. 28, 2005.

White-Rodgers, IF80-240 "(for HEATING ONLY systems) Programmable Electronic Digital Thermostat," Installation and Operation Instructions, 8 pages, prior to Feb. 28, 2005.

White-Rodgers, IF80-241 "Programmable Electronic Digital Thermostat," Installation and Operation Instructions, 6 pages, prior to Feb. 28, 2005.

White-Rodgers, IF80-261 "Programmable Electronic Digital Thermostat," Installation and Operation Instructions, 8 pages, prior to Feb. 28, 2005.

White-Rodgers, IF81-261 "Programmable Electronic Digital Multi-Stage Thermostat," Installation and Operation Instructions, 8 pages, prior to Feb. 28, 2005.

White-Rodgers, IF82-261 "Programmable Electronic Digital Heat Pump Thermostat," Installation and Operation Instructions, 8 pages, prior to Feb. 28, 2005.

www.icmcontrols.com, Simplecomfort, SC3000 Single Stage Heat/Single Stage Cool or Single Stage Heat Pump/Manual Changeover, 1 page, prior to Feb. 28, 2005.

www.icmcontrols.com, Simplecomfort, SC3001 Single Stage Heat/Single Stage Cool or Single Stage Heat Pump/Manual Changeover, 1 page, prior to Feb. 28, 2005.

www.icmcontrols.com, Simplecomfort, SC3006 Single Stage Heat/Single Stage Cool or Single Stage Heat Pump/Manual Changeover, 1 page, prior to Feb. 28, 2005.

www.icmcontrols.com, Simplecomfort, SC3201 2 Stage Heat Pump Manual Changeover, 1 page, prior to Feb. 28, 2005.

www.icmcontrols.com, Simplecomfort, SC3801 2 Stage Heat/2 Stage Cool 2 Stage Heat Pump/Audio Changeover, 1 page, prior to Feb. 28, 2005.

<http://www.aed.net/climatouch>, , Climatouch C3, 1 page, prior to Feb. 28, 2005.

U.S. Appl. No. 29/224,346, filed Feb. 28, 2005, entitled "THERMOSTAT HOUSING".

U.S. Appl. No. 29/224,399, filed Mar. 1, 2005, entitled "THERMOSTAT HOUSING".

U.S. Appl. No. 29/205,143, filed May 10, 2004, entitled "THERMOSTAT HOUSING".

U.S. Appl. No. 29/205,127, filed May 10, 2004, entitled "THERMSTAT HOUSING".

U.S. Appl. No. 10/726,245, filed Dec. 2, 2003, entitled "CONTROLLER INTERFACE WITH INTERVIEW PROGRAMMING".

U.S. Appl. No. 10/726,243, filed Dec. 2, 2003, filed 2, 2003, entitled "CONTROLLER WITH PROGAMABLE SERVICE DISPLAY EVENT DISPLAY MODE".

U.S. Appl. No. 10/725,826, filed Dec. 2, 2003, entitled "CONTROLLER INTERFACE WITH SEPARATE SCHEDULE REVIEW MODE".

U.S. Appl. No. 10/726,174, filed Dec. 2, 2003, entitled "PROGRAMMABLE CONTROLLER WITH SAVING CHANGES INDICATION".

U.S. Appl. No. 10/726,247, filed Dec. 2, 2003, entitled "CONTROLLER INTERFACE WITH MENU SCHEDULE OVERRIDE".

U.S. Appl. No. 10/726,201, filed Dec. 2, 2003, entitled "CONTROLLER INTERFACE WITH MULTIPLE DAY PRGRAMMING".

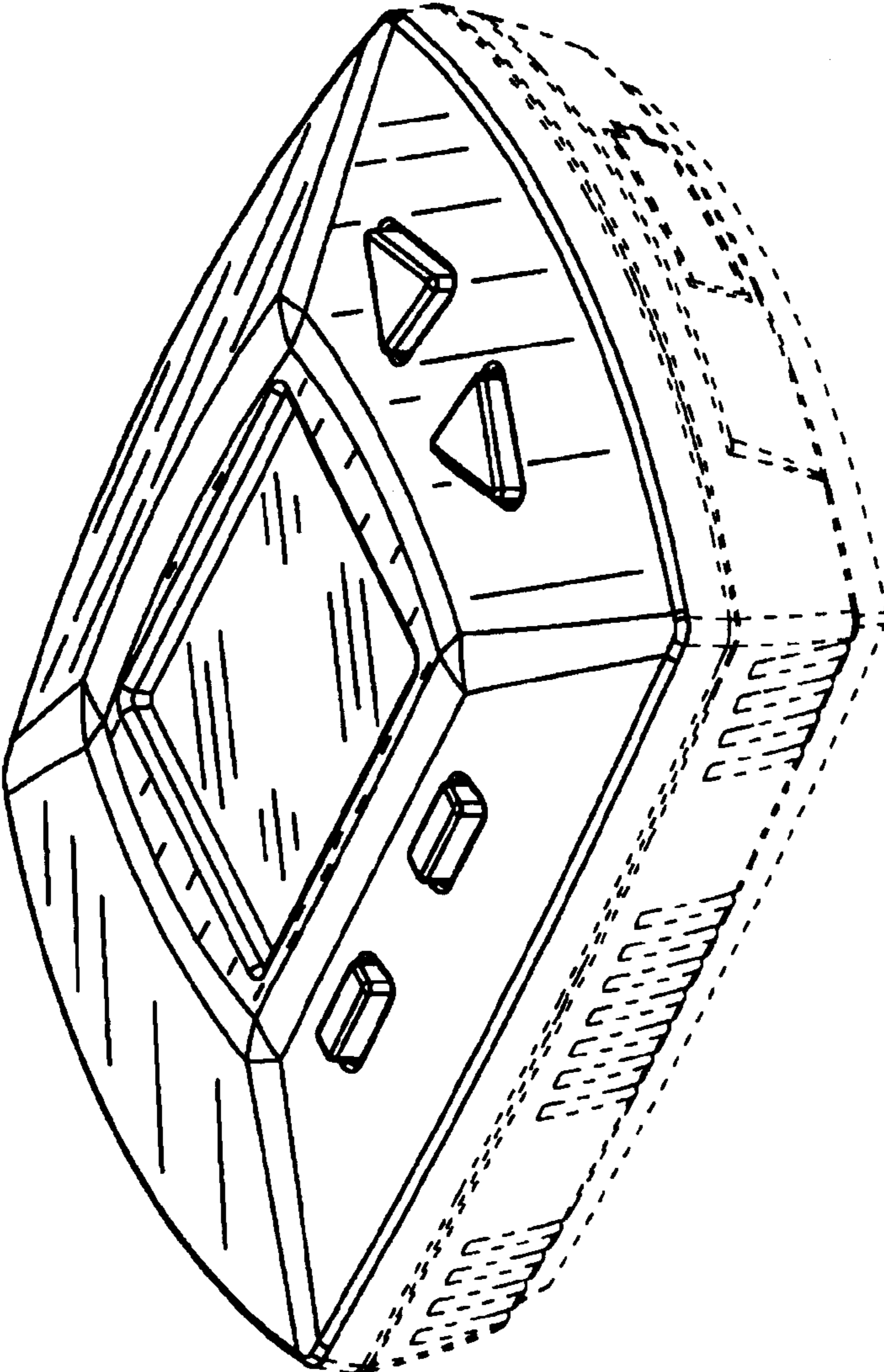


Figure 1

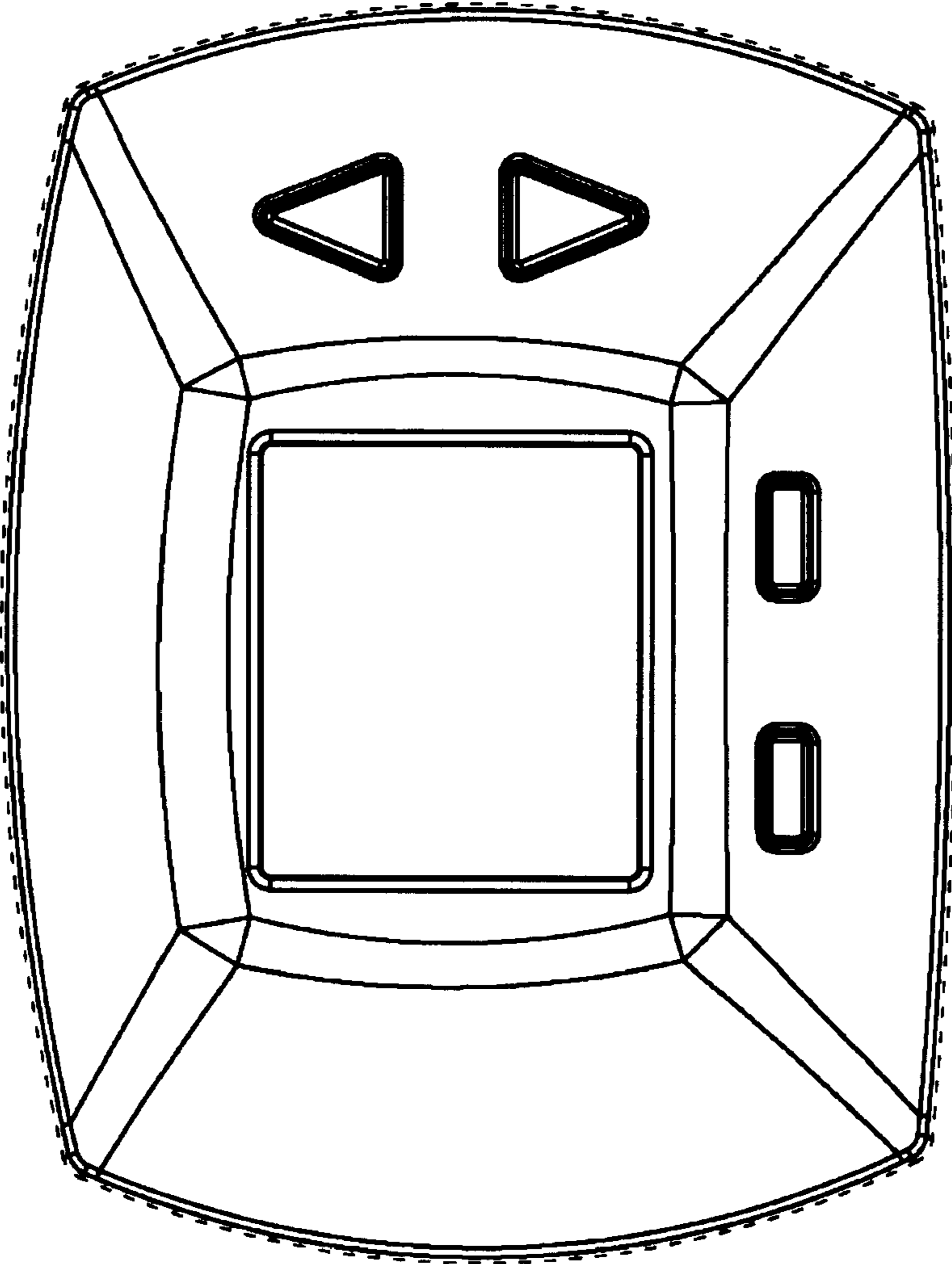


Figure 2

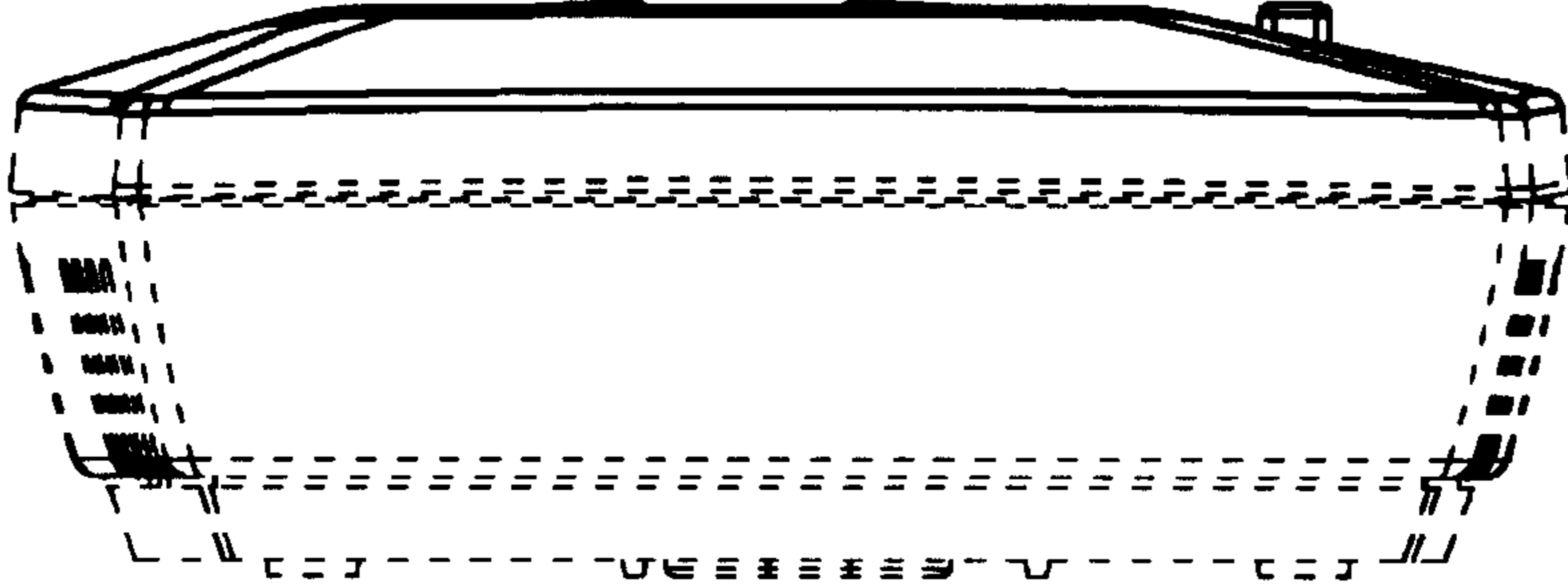


Figure 3

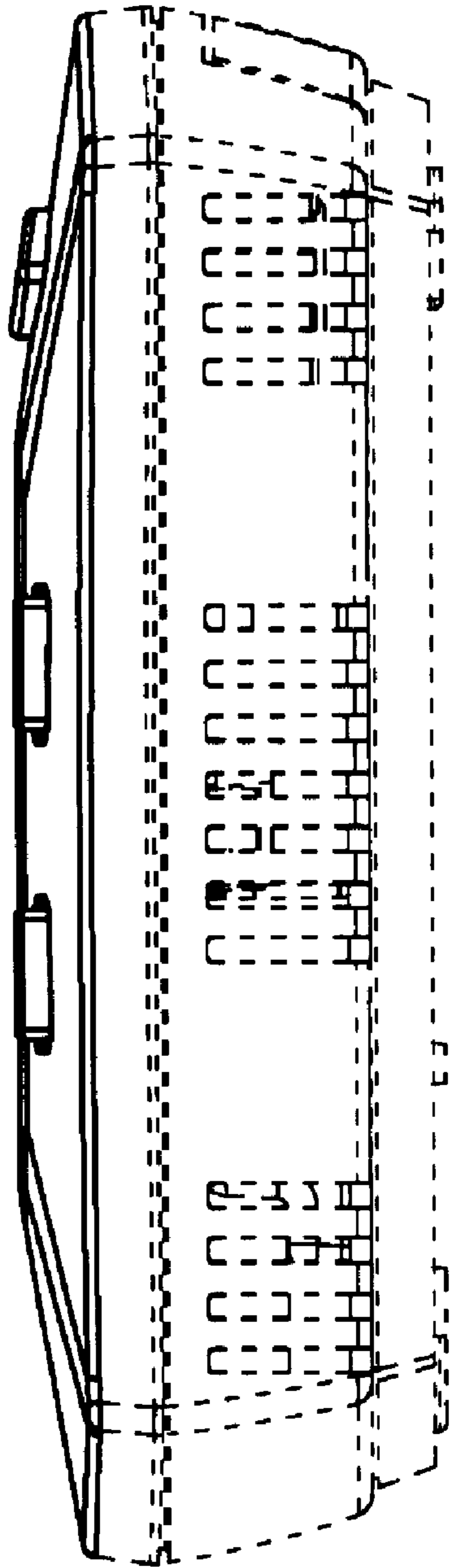


Figure 4

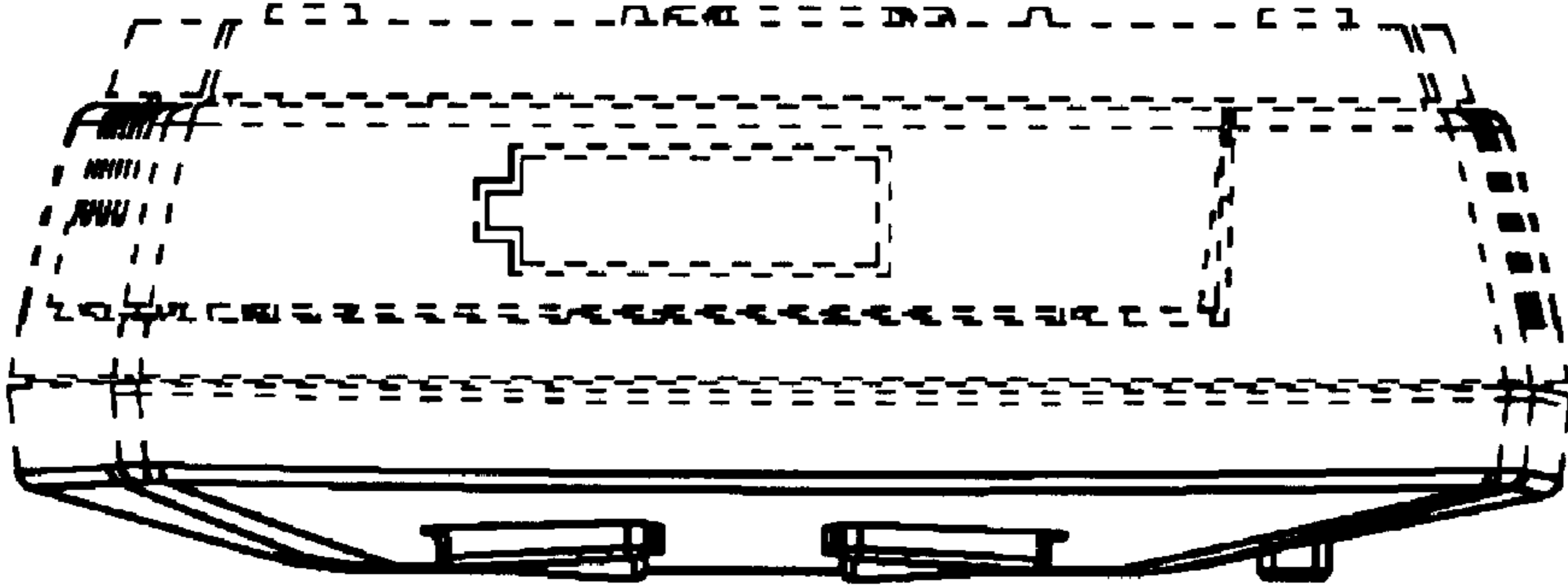


Figure 5

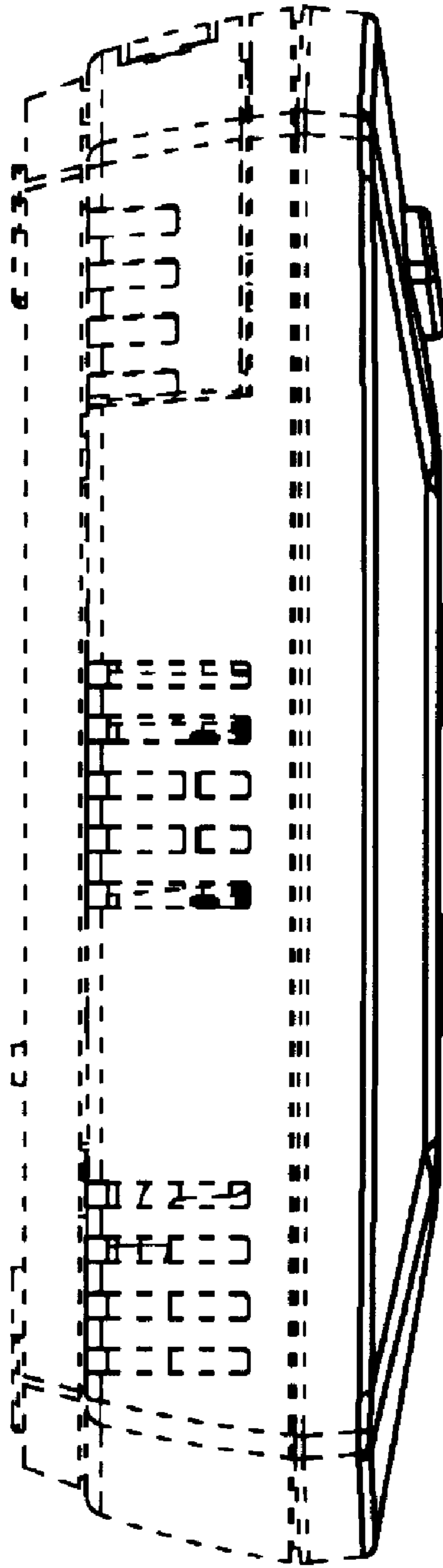


Figure 6

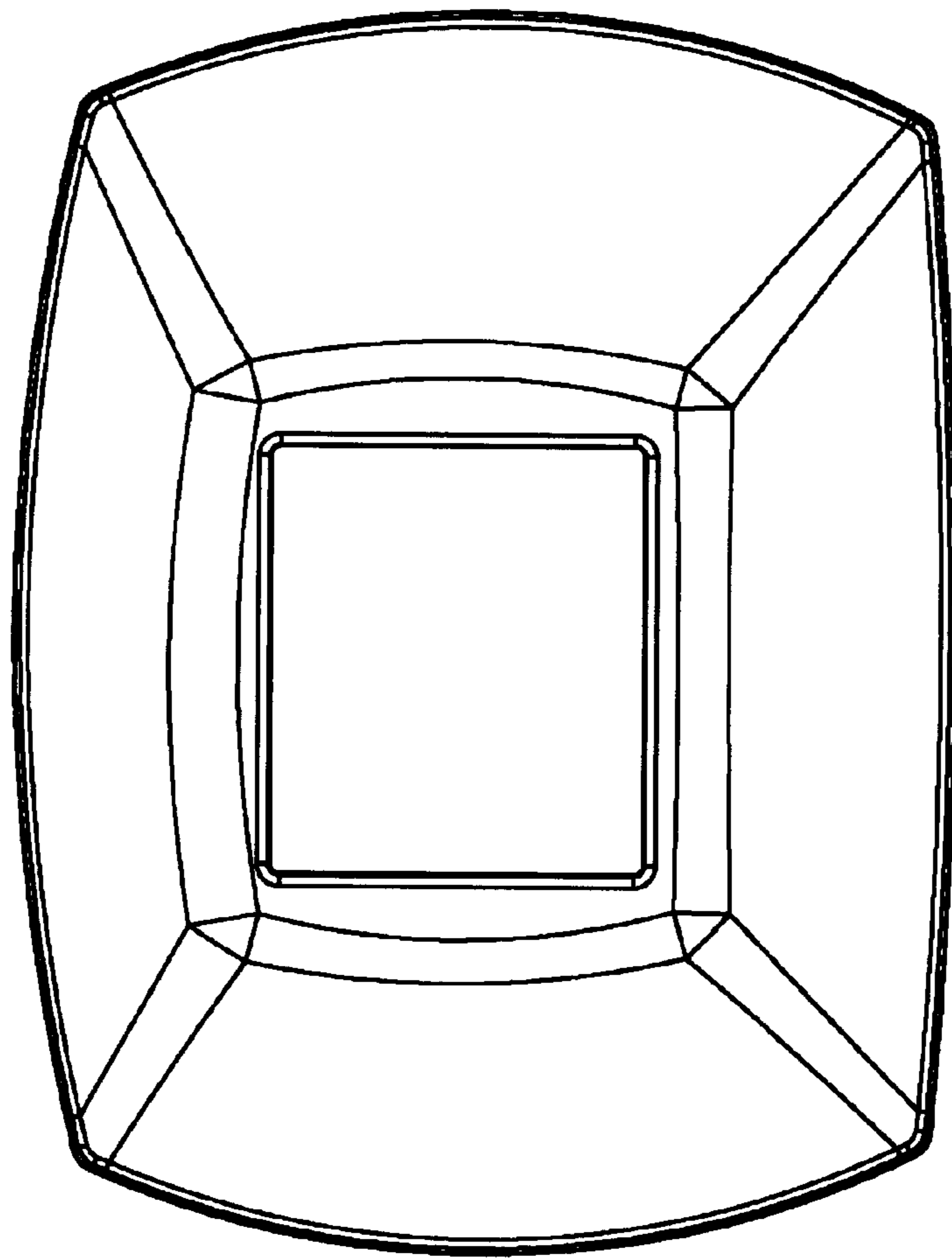


Figure 7