



US00D535572S

(12) **United States Design Patent** (10) **Patent No.:** **US D535,572 S**
Takach et al. (45) **Date of Patent:** **** Jan. 23, 2007**

(54) **THERMOSTAT HOUSING**

4,606,401 A 8/1986 Levine et al.
4,621,336 A 11/1986 Brown

(75) Inventors: **Eugene J. Takach**, Eden Prairie, MN (US); **John Wadsworth**, Los Angeles, CA (US); **John von Buelow**, Oak Park, CA (US)

(Continued)

OTHER PUBLICATIONS

(73) Assignee: **Honeywell International Inc.**, Morristown, NJ (US)

Carrier, "Programmable Dual Fuel Thermostat," Installation, Start-Up & Operating Instructions, pp. 1-12, Oct. 1998.

(**) Term: **14 Years**

Carrier, "Programmable Thermostats," Installation, Start-Up & Operating Instructions, pp. 1-16, Sep. 1998.

(21) Appl. No.: **29/246,098**

Carrier, "Standard Programmable Thermostat," Homeowner's Manual, pp. 1-8 pages, 1998.

(22) Filed: **Feb. 7, 2006**

Carrier, "Thermostat Control, Installation, Start-Up, and Operating Instructions," pp. 1-12, Aug. 1999.

(Continued)

Related U.S. Application Data

Primary Examiner—Antoine D. Davis

(63) Continuation of application No. 29/224,120, filed on Feb. 25, 2005, now Pat. No. Des. 520,885, which is a continuation of application No. 29/205,143, filed on May 10, 2004, now Pat. No. Des. 509,151.

(57) **CLAIM**

The ornamental design for a thermostat housing, as shown and described.

(51) **LOC (8) Cl.** **10-04**

(52) **U.S. Cl.** **D10/50; D10/49**

(58) **Field of Classification Search** D10/49-50; 62/180; 236/1 C, 11, 46 R, 47, 49.3, 51, 236/84, 94; 400/485

DESCRIPTION

See application file for complete search history.

The present application is related to co-pending U.S. patent application Ser. No. 10/726,201, filed on December 2, 2003, entitled "Controller Interface With Multiple Day Programming", U.S. patent application Ser. No. 10/726,247, filed on December 2, 2003, entitled "Controller Interface With Menu Schedule Override", U.S. patent application Ser. No. 10/726,174, filed on December 2, 2003, entitled "Programmable Controller With Saving Changes Indication", U.S. patent application Ser. No. 10/725,826, filed December 2, 2003, entitled "Controller Interface With Separate Schedule Review Mode", U.S. patent application Ser. No. 10/726,243, filed December 2, 2003, entitled "Controller With Programmable Service Event Display", and U.S. application Ser. No. 10/726,245, filed December 2, 2003, entitled Controller Interface With Interview Programming.

The FIGURE is a front elevation view of a thermostat housing.

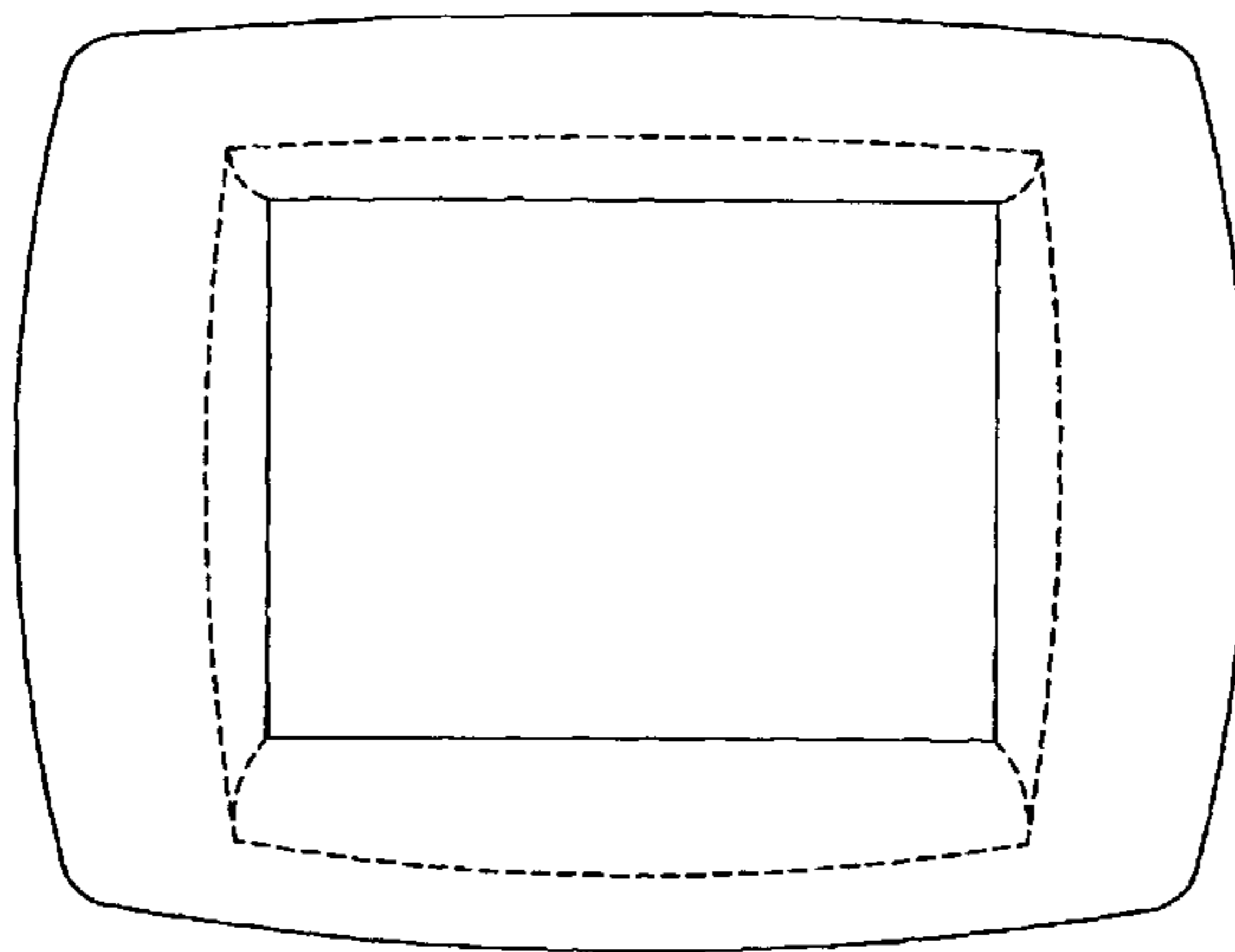
The portions, including letters and words, illustrated in broken lines on the figures are for illustrative purposes only and form no part of the claimed design.

(56) **References Cited**

U.S. PATENT DOCUMENTS

- 4,079,366 A 3/1978 Wong
- 4,174,807 A 11/1979 Smith et al.
- 4,206,872 A 6/1980 Levine
- 4,264,034 A 4/1981 Hyltin et al.
- 4,298,946 A 11/1981 Hartsell et al.
- 4,308,991 A 1/1982 Peinetti et al.
- 4,337,822 A 7/1982 Hyltin et al.
- 4,382,544 A 5/1983 Stewart
- 4,386,649 A 6/1983 Hines et al.
- 4,388,692 A 6/1983 Jones et al.
- 4,431,134 A 2/1984 Hendricks et al.
- 4,442,972 A 4/1984 Sahay et al.
- 4,446,913 A 5/1984 Krocker
- 4,479,604 A 10/1984 Didner

1 Claim, 1 Drawing Sheet



U.S. PATENT DOCUMENTS

4,717,333	A	1/1988	Carignan
4,725,001	A	2/1988	Carney et al.
4,837,731	A	6/1989	Levine et al.
4,881,686	A	11/1989	Mehta
4,918,439	A	4/1990	Wozniak et al.
4,948,040	A	8/1990	Kobayashi et al.
4,992,779	A	2/1991	Sugino et al.
4,997,029	A	3/1991	Otsuka et al.
5,012,973	A	5/1991	Dick et al.
5,038,851	A	8/1991	Mehta
5,065,813	A	11/1991	Berkeley et al.
5,088,645	A	2/1992	Bell
5,161,606	A	11/1992	Berkeley et al.
5,181,653	A	1/1993	Foster et al.
5,230,482	A	7/1993	Ratz et al.
5,259,445	A	11/1993	Pratt et al.
5,329,991	A	7/1994	Mehta et al.
5,348,078	A	9/1994	Dushane et al.
D361,287	S	8/1995	Guy et al.
5,482,209	A	1/1996	Cochran et al.
D367,430	S	2/1996	Greenberg et al.
5,526,422	A	6/1996	Keen
5,537,106	A	7/1996	Mitsuhashi
5,566,879	A	10/1996	Longtin
5,570,837	A	11/1996	Brown et al.
5,673,850	A	10/1997	Uptegraph
5,782,296	A	7/1998	Mehta
5,873,519	A	2/1999	Beilfuss
5,901,183	A	5/1999	Garin et al.
5,902,183	A	5/1999	D'Souza
5,937,942	A	8/1999	Bias et al.
6,032,867	A	3/2000	Dushane et al.
6,196,467	B1	3/2001	Dushane et al.
6,208,331	B1	3/2001	Singh et al.
6,315,211	B1	11/2001	Sartain et al.
6,318,639	B1	11/2001	Toth
6,351,693	B1	2/2002	Monie et al.
6,502,758	B1	1/2003	Cottrell
6,513,723	B1	2/2003	Mueller et al.
6,518,957	B1	2/2003	Lehtinen et al.
6,581,846	B1	6/2003	Rosen
6,595,430	B1	7/2003	Shah
2002/0005435	A1	1/2002	Conttrel
2003/0034897	A1	2/2003	Shamoon et al.
2003/0034898	A1	2/2003	Shamoon et al.
2003/0121652	A1	7/2003	Carey et al.
2003/0142121	A1	7/2003	Rosen

OTHER PUBLICATIONS

CorAccess, "Companion 6," User Guide, pp. 1–20, Jun. 17, 2002.

<http://www.thermostatsales.com>, Robertshaw, "9610 Digital Programmable Thermostat," 3 pages, printed Jun. 17, 2004.

<http://www.thermostatsales.com>, Robertshaw, "9700 Deluxe Programmable Thermostat" 3 pages, printed Jun. 17, 2004.

<http://www.thermostatsales.com>, Robertshaw, "9710 Deluxe Programmable Thermostat," 3 pages, printed Jun. 17, 2004.

<http://www.thermostatsales.com>, Robertshaw, "9720 Deluxe Programmable Thermostat," 3 pages, printed Jun. 17, 2004.

Hunter, "44200/44250," Owner's Manual, 32 pages, printed prior Feb. 25, 2005.

Hunter, "44300/44350," Owner's Manual, 35 pages, printed prior to Feb. 25, 2005.

Hunter, "Auto Saver 550", Owner's Manual Model 44550, 44 pages, printed prior to Feb. 25, 2005.

Invensys™, "9700i 9701i 9715i/9720i Deluxe Programmable Thermostats," User's Manual, pp. 1–28, printed prior to Feb. 25, 2005.

Lux, "511 Series Smart Temp Electronic Thermostat," Owner's Manual, 3 pages, printed prior to Feb. 25, 2005.

Lux, "600 Series Smart Temp Electronic Thermostat," Owner's Manual, 3 pages, printed prior to Feb. 25, 2005.

Lux, "602 Series Multi-Stage Programmable Thermostat," Owner's Manual, 2 pages, printed prior to Feb. 25, 2005.

Lux, "605/2110 Series Programmable Heat Pump Thermostat," Owner's Manual, 3 pages, printed prior to Feb. 25, 2005.

Lux, "700/9000 Series Smart Temp Electronic Thermostat," Manual, 3 pages, printed prior to Feb. 25, 2005.

Lux, "PSPH521 Series Programmable Heat Pump Thermostat," Owner's Manual, 3 pages, printed prior to Feb. 25, 2005.

Lux, "TX1500 Series Smart Temp Electronic Thermostat," Owner's Manual, 6 pages, printed prior to Feb. 25, 2005.

Lux, "TX500 Series Smart Temp Electronic Thermostat," Owner's Manual, 3 pages, printed prior to Feb. 25, 2005.

Lux, "ELV1 Programmable Line Voltage Thermostat," Owner's Manual, 3 pages, printed prior to Feb. 25, 2005.

METASYS, "HVAC PRO for Windows User's Manual," 308 pages, 1998.

http://www.ritetemp.info/rtMenu_13.html, Rite Temp 8082, 8 pages, printed Jun. 20, 2003.

Totaline, "1 For All programmable Digital Thermostat," Owner's Manual P/N P374–1100FM, 23 pages, Nov. 1998.

Totaline, "1 For All Programmable Digital Thermostat," Owner's Manual P/N P374–1100, 24 pages, Apr. 2001.

Totaline, "1 For All Programmable Digital Thermostat," Owner's Manual P/N P474–1050, 21 pages, Nov. 1998.

Totaline, "Intellistat Combination Temperature and Humidity Control," Owner's Manual P/N P374–1600, 25 pages, Jun. 2001.

Totaline, "Programmable Thermostat Configurable for Advanced Heat Pump or Dual Fuel Operation," Owner's Manual P/N P374–1500, 24 pages, Jun. 1999.

Totaline, "Instructions P/N P474–1010", Manual, 2 pages, Dec. 1998.

Totaline, "Programmable Thermostat", Homeowner's Guide, 27 pages, Dec. 1998.

Totaline, "Wireless Programmable Digital Thermostat," Owner's Manual 474–1100RF, 21 pages, 2000.

Warmly Yours, "Model TH111GFCI-P (120 VAC), " Manual, pp. 1–4, printed prior to Feb. 28, 2005.

White-Rodgers, "Installation Instructions for Heating & Air Conditioning IF72 5/2 Day Programmable Heat Pump Thermostat," 8 pages, printed prior to Feb. 25, 2005.

White-Rodgers, "Installation Instructions for Heating & Air Conditioning IF78 5/2 Day Programmable Thermostat," 7 pages, printed prior to Feb. 25, 2005.

White-Rodgers, "Comfort-Set 90 Series Thermostat," Manual, pp. 1–24, printed prior to Feb. 25, 2005.

White-Rodgers, "Comfort-Set III Thermostat," Manual 1–44, printed prior to Feb. 25, 2005.

White-Rodgers, 1F80–240 "(for Heating Only systems) Programmable Electronic Digital Thermostat," Installation and Operation Instructions, 8 pages, printed prior to Feb. 25, 2005.

White-Rodgers, 1F80-241 "Programmable Electronic Digital Thermostat," Installation and Operation Instructions, 6 pages, printed prior to Feb. 25, 2005.

White-Rodgers, 1F80-261 "Programmable Electronic Digital Thermostat," Installation and Operation Instructions, 8 pages, printed prior to Feb. 25, 2005.

White-Rodgers, 1F81-261 "Programmable Electronic Digital Multi-Stage Thermostat," Installation and Operation Instructions, 8 pages, printed prior to Feb. 25, 2005.

White-Rodgers, 1F82-261 "Programmable Electronic Digital Heat Pump Thermostat," Installation and Operation Instructions, 8 pages, printed prior to Feb. 25, 2005.

www.icmcontrols.com, Simplecomfort, SC3000 Single Stage Heat/Single Stage Cool or Single Stage Heat Pump/Manual Changeover, 1 page, printed prior to Feb. 25, 2005.

www.icmcontrols.com, Simplecomfort, SC3001 Single Stage Heat/Single Stage Cool or Single Stage Heat Pump/Manual Changeover, 1 page, printed prior to Feb. 25, 2005.

www.icmcontrols.com, Simplecomfort, SC3006 Single Stage Heat/Single Stage Cool or Single Stage Heat Pump/Manual Changeover, 1 page, printed prior to Feb. 25, 2005.

www.icmcontrols.com, Simplecomfort, SC3201 2 Stage Heat Pump Manual Changeover, 1 page, printed prior to Feb. 25, 2005.

www.icmcontrols.com, Simplecomfort, SC3801 2 Stage Heat/2 Stage Cool 2 Stage Pump Heat Pump/Audio Changeover, 1 page, printed prior to Feb. 25, 2005.

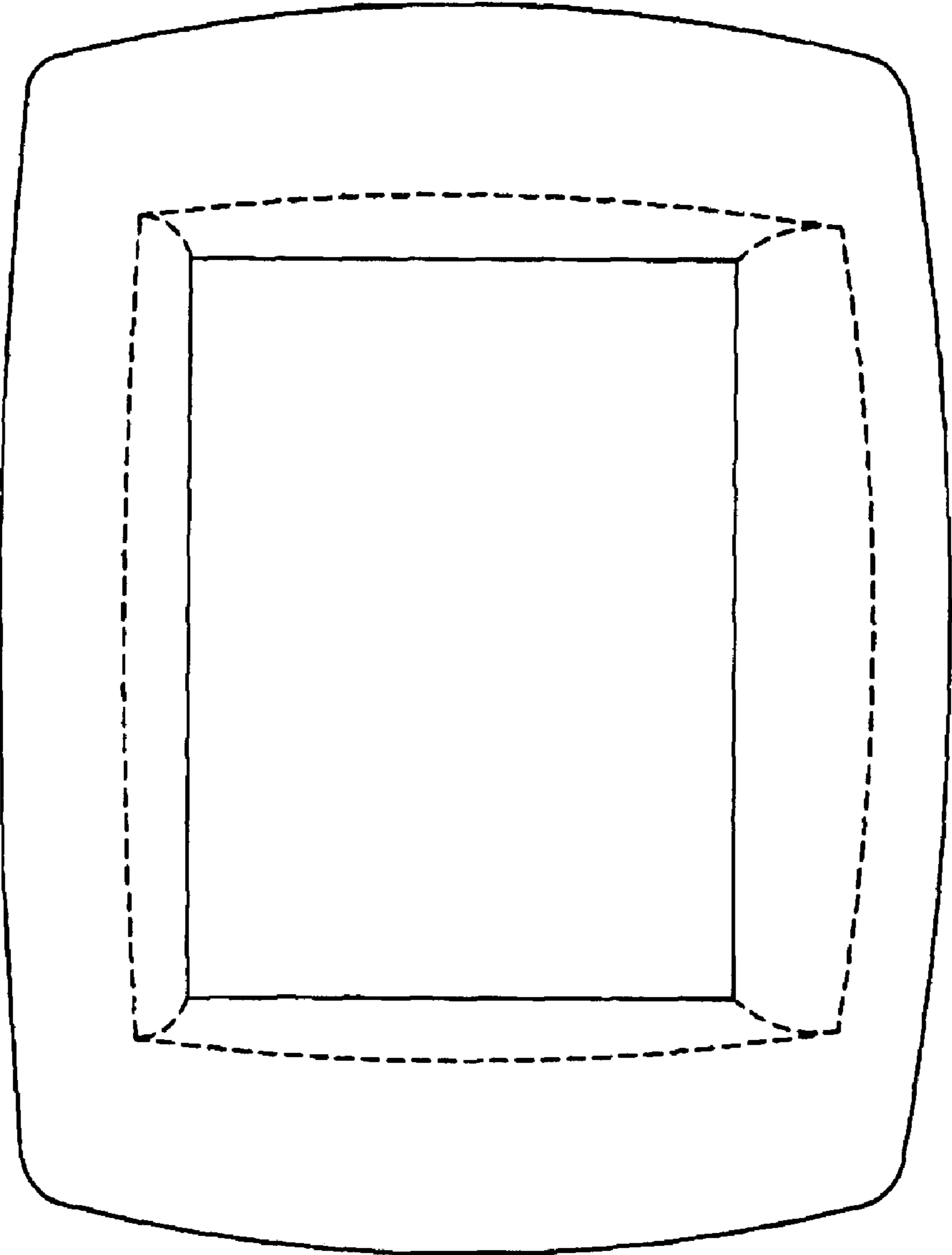


Figure 1