



US00D535564S

(12) **United States Design Patent**
Toth et al.

(10) **Patent No.: US D535,564 S**
(45) **Date of Patent: ** Jan. 23, 2007**

(54) **CONTAINER WITH CAP**

(75) Inventors: **Mary Toth**, Ann Arbor, MI (US);
Javier Verdura, Milford, CT (US);
Craig Pirie, Ontario (CA); **Daniel**
Peter Sterling, Bridgeport, CT (US);
Erik Joseph Moses, New Haven, CT
(US); **Peter Michaelian**, New York, NY
(US); **Richard A. Gross**, Oconomowoc,
WI (US); **Dieter F. Lay**, Oconomowoc,
WI (US)

(73) Assignee: **McNeil-PPC, Inc.**, Skillman, NJ (US)

(**) Term: **14 Years**

(21) Appl. No.: **29/261,439**

(22) Filed: **Jun. 14, 2006**

Related U.S. Application Data

(62) Division of application No. 29/219,697, filed on Dec. 21,
2004.

(51) **LOC (8) Cl.** **09-01**

(52) **U.S. Cl.** **D9/522; D9/529**

(58) **Field of Classification Search** D7/612-615,
D7/629; D9/516, 522-523, 529, 530, 542-543,
D9/560, 572-575, 414, 430-432; 215/382-384,
215/396, 398, 400; D3/273; D19/65, 75
See application file for complete search history.

(56) **References Cited**

U.S. PATENT DOCUMENTS

104,853 A * 6/1870 Kaufmann 206/278

| | | | | |
|--------------|---|---------|----------------------|-------------|
| 2,102,643 A | * | 12/1937 | Pellegrini | 220/62.11 X |
| D109,021 S | * | 3/1938 | Lloyd | D9/522 |
| D120,746 S | * | 5/1940 | Trevisan | D9/423 |
| D195,772 S | * | 7/1963 | Sanders | D3/205 |
| D262,264 S | * | 12/1981 | Hadtke et al. | D9/529 X |
| D262,265 S | * | 12/1981 | Hadtke et al. | D9/729 |
| D268,648 S | * | 4/1983 | Stark | D9/416 |
| D273,563 S | * | 4/1984 | Jeans et al. | D9/522 |
| D355,125 S | * | 2/1995 | Patel et al. | D9/522 |
| D443,981 S | * | 6/2001 | DiVincenzo | D3/205 |
| D468,204 S | * | 1/2003 | Gittins et al. | D9/430 |
| D489,609 S | * | 5/2004 | Holthaus et al. | D9/430 |
| 6,772,902 B1 | * | 8/2004 | White | 220/283 |
| D497,311 S | * | 10/2004 | Walsh et al. | D9/522 |
| D502,102 S | * | 2/2005 | Schmedes | D9/522 |
| D506,930 S | * | 7/2005 | Cauwood et al. | D9/522 |
| D520,877 S | * | 5/2006 | Toth et al. | D9/522 |
| D523,344 S | * | 6/2006 | Toth et al. | D9/522 |

* cited by examiner

Primary Examiner—Carol Rademaker

(74) *Attorney, Agent, or Firm*—Michele G. Mangini

(57) **CLAIM**

The ornamental design for a container with cap, as shown
and described.

DESCRIPTION

FIG. 1 is a top, front, and right side perspective view of the
container with cap of our new design, shown in exploded
condition; and,
FIG. 2 is a top, front, and right side perspective view of the
container with cap, shown with the cap on the container.
The broken lines shown in the drawings are for illustrative
purposes only and form no part of the claimed design.

1 Claim, 2 Drawing Sheets

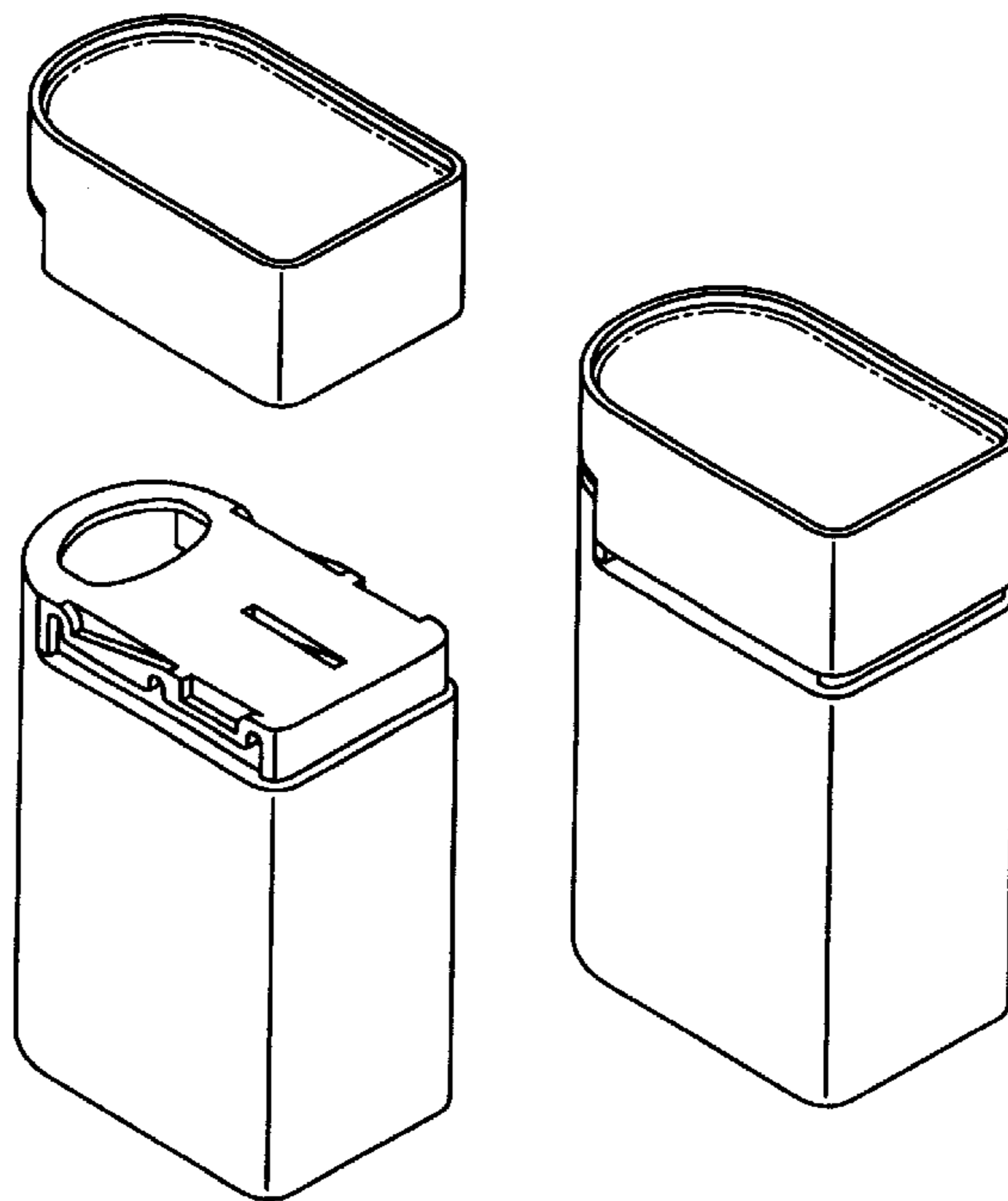


FIG. 1

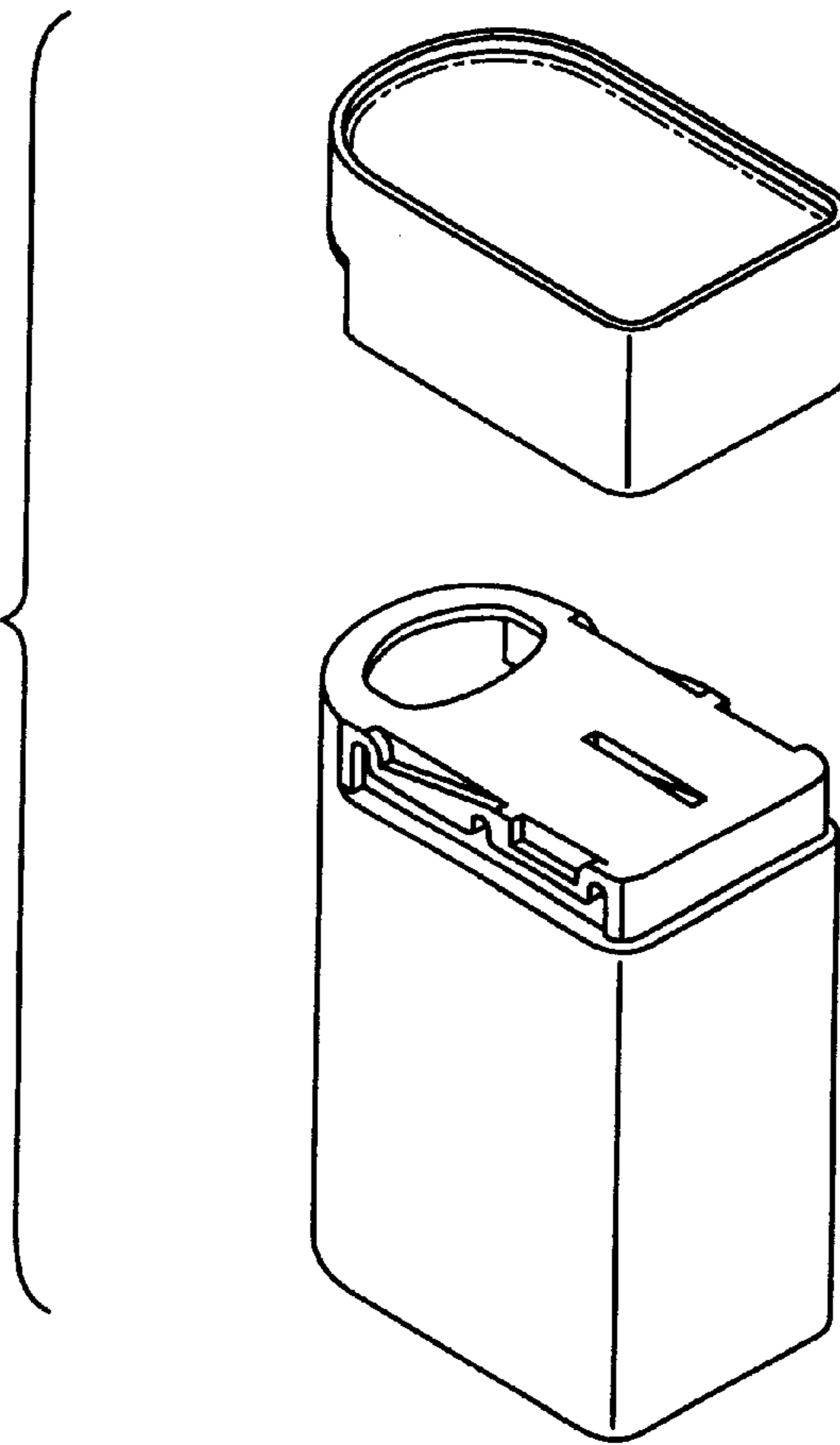


FIG. 2

