

US00D535552S

(12) **United States Design Patent**  
**Neunzert**

(10) **Patent No.:** **US D535,552 S**

(45) **Date of Patent:** **\*\* Jan. 23, 2007**

(54) **BOLT FOR SECURING PORTIONS OF A TABLE FRAME**

(75) **Inventor:** **Martin Neunzert**, Ogden, UT (US)

(73) **Assignee:** **Lifetime Products, Inc.**, Clearfield, UT (US)

(\*\*) **Term:** **14 Years**

(21) **Appl. No.:** **29/221,014**

(22) **Filed:** **Jan. 10, 2005**

(51) **LOC (8) Cl.** ..... **08-08**

(52) **U.S. Cl.** ..... **D8/387; D8/14**

(58) **Field of Classification Search** ..... **D8/14, D8/387, 29; 81/445, 125**

See application file for complete search history.

(56) **References Cited**

**U.S. PATENT DOCUMENTS**

3,550,486	A	*	12/1970	Edwards	.....	81/125
D301,298	S	*	5/1989	Porrello	.....	D8/14
D359,669	S	*	6/1995	Splingaire	.....	D8/29
D409,062	S	*	5/1999	Braley	.....	D8/29
D464,254	S	*	10/2002	Monson	.....	D8/387

\* cited by examiner

*Primary Examiner*—Holly H. Baynham

(74) *Attorney, Agent, or Firm*—Workman Nydegger

(57) **CLAIM**

The ornamental design for a bolt for securing portions of a table frame, as shown and described.

**DESCRIPTION**

FIG. 1 is a perspective, exploded view of a bolt for securing portions of a table frame;

FIG. 2 is a top view of a portion of the bolt for securing portions of a table frame shown in FIG. 1;

FIG. 3 is a bottom view of the portion of the bolt for securing portions of a table frame shown in FIG. 2;

FIG. 4 is a front view of the portion of the bolt for securing portions of a table frame shown in FIG. 2, with the rear view being a mirror image thereof;

FIG. 5 is a right side view of the portion of the bolt for securing portions of a table frame shown in FIG. 2;

FIG. 6 is a right side view of a second portion of the bolt for securing portions of a table frame shown in FIG. 1;

FIG. 7 is a front view of the second portion of the bolt for securing portions of a table frame shown in FIG. 6, with the rear view being a mirror image thereof;

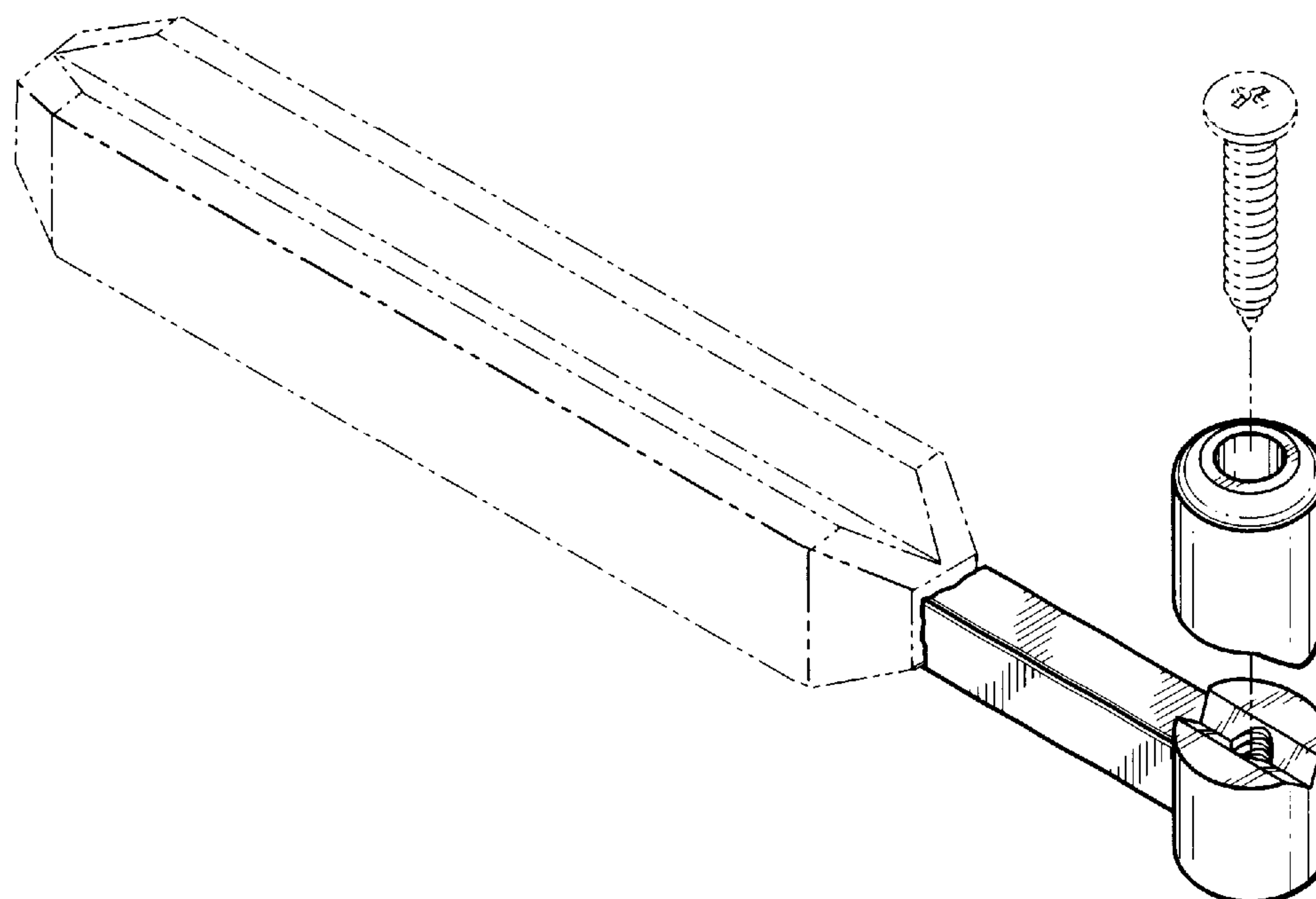
FIG. 8 is a top view of the second portion of the bolt for securing portions of a table frame shown in FIG. 6; and,

FIG. 9 is a bottom view of the second portion of the bolt for securing portions of a table frame shown in FIG. 6.

The broken lines shown in the figures are for illustrative purposes only and form no part of the claimed design.

The elements of the claimed design are shown detached for ease and clarity of illustration.

**1 Claim, 1 Drawing Sheet**



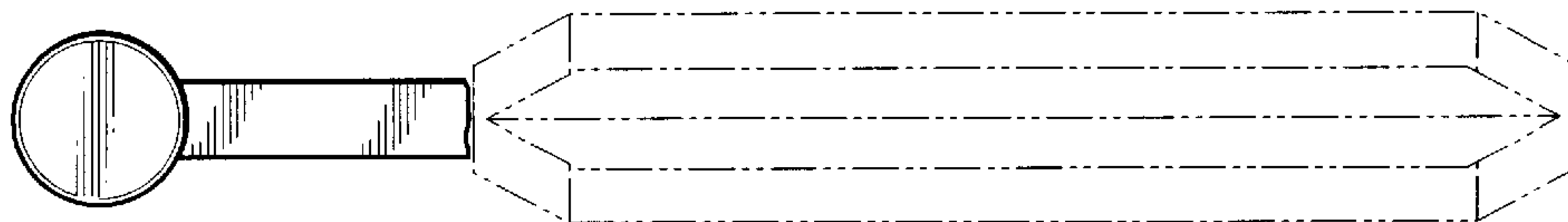


Fig. 2

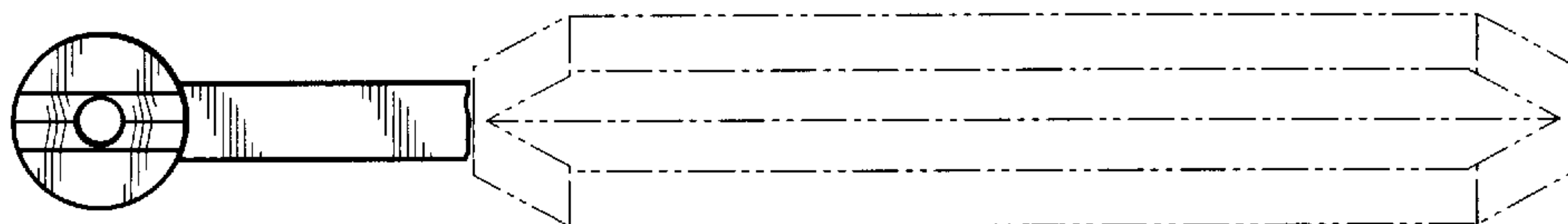


Fig. 3

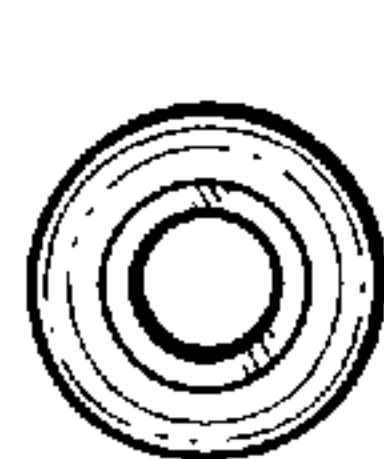


Fig. 8



Fig. 6

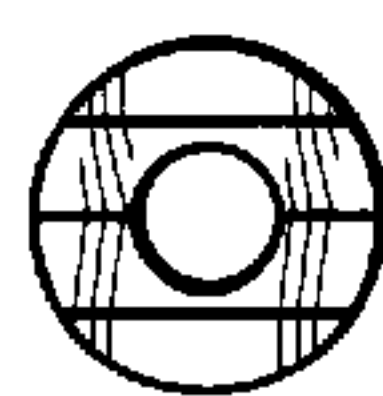


Fig. 9

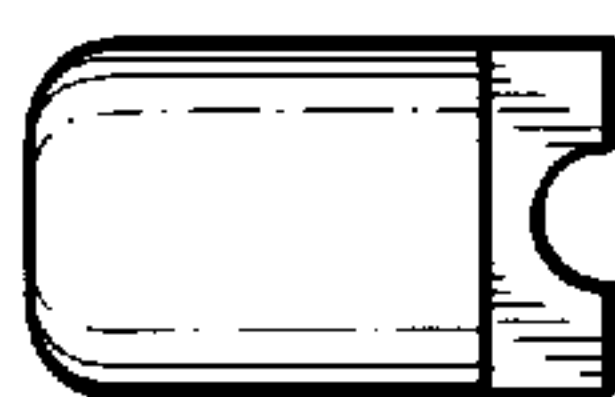


Fig. 7

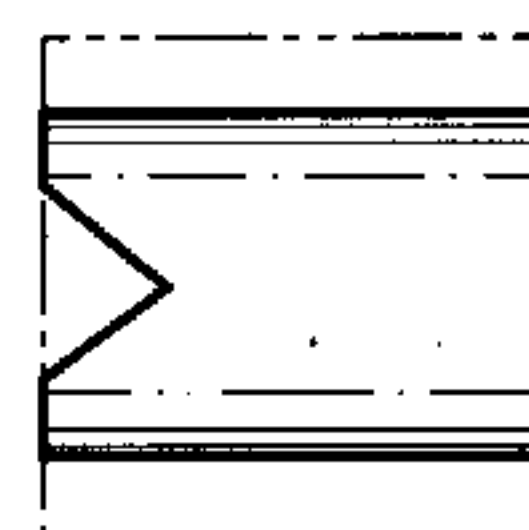


Fig. 5

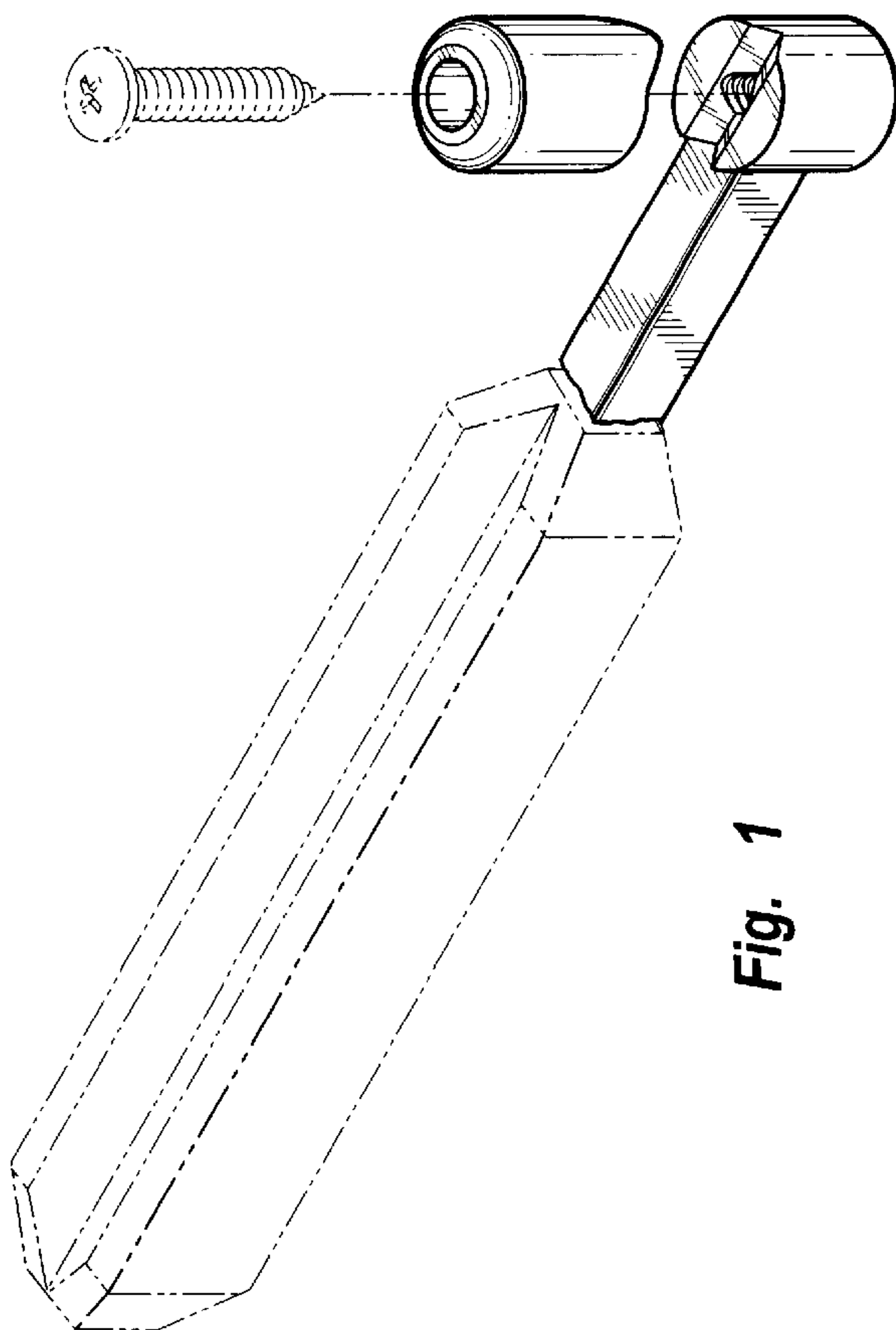


Fig. 1

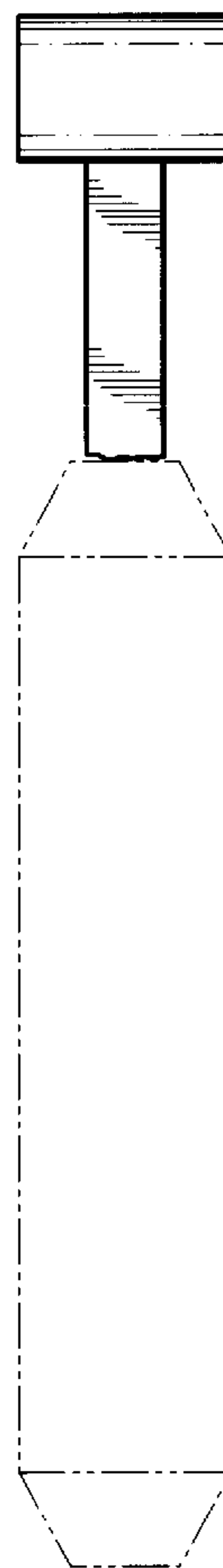


Fig. 4