



US00D535551S

(12) **United States Design Patent**
Milligan

(10) **Patent No.:** **US D535,551 S**

(45) **Date of Patent:** **** Jan. 23, 2007**

(54) **SLIDE WITH LOCK-IN/LOCK-OUT FEATURE**

(75) **Inventor:** **Charles A. Milligan**, Hacienda Heights, CA (US)

(73) **Assignee:** **Accuride International Inc.**, Sante Fe Springs, CA (US)

(**) **Term:** **14 Years**

(21) **Appl. No.:** **29/212,451**

(22) **Filed:** **Aug. 31, 2004**

(51) **LOC (8) Cl.** **08-05**

(52) **U.S. Cl.** **D8/377**

(58) **Field of Classification Search** D8/349, D8/354, 363, 377, 376, 380, 382; D6/512, D6/513; 312/333, 334.13, 334.41, 334.44, 312/334.46, 334.8, 410

See application file for complete search history.

(56) **References Cited**

U.S. PATENT DOCUMENTS

2,679,447	A	*	5/1954	Bissman	312/334.8
2,981,584	A	*	4/1961	Friend	312/334.13
D243,682	S	*	3/1977	Dallaire	D25/119
D260,135	S	*	8/1981	Fairbanks	D8/377
D283,395	S	*	4/1986	Cox et al.	D25/119
D352,790	S	*	11/1994	Gullblom	D25/121
D354,144	S	*	1/1995	Kain et al.	D25/125
D376,460	S	*	12/1996	Isaia et al.	D34/28
D430,904	S	*	9/2000	Khalaj	D20/44
D447,145	S		8/2001	Cooper et al.		
D476,220	S	*	6/2003	McCoy et al.	D8/376

D488,712	S		4/2004	Kim		
6,764,150	B2	*	7/2004	Le et al.	312/334.46
D496,249	S	*	9/2004	Liebendorfer	D8/354
6,805,418	B2	*	10/2004	Milligan	312/333
6,817,685	B2		11/2004	Lammens		
6,854,816	B2		2/2005	Milligan		
D506,381	S	*	6/2005	Lu	D8/349
6,938,617	B2		9/2005	Le et al.		
2003/0034720	A1	*	2/2003	Milligan et al.	312/334.44
2004/0130248	A1	*	7/2004	Chi	312/334.8
2004/0174101	A1	*	9/2004	Lin	312/333
2004/0174103	A1	*	9/2004	Yang	312/334.46
2004/0207300	A1	*	10/2004	Chen et al.	312/333
2004/0227442	A1	*	11/2004	Huang	312/334.9

* cited by examiner

Primary Examiner—Holly Baynham

Assistant Examiner—Cynthia M. Chin

(74) *Attorney, Agent, or Firm*—Christie, Parker & Hale, LLP

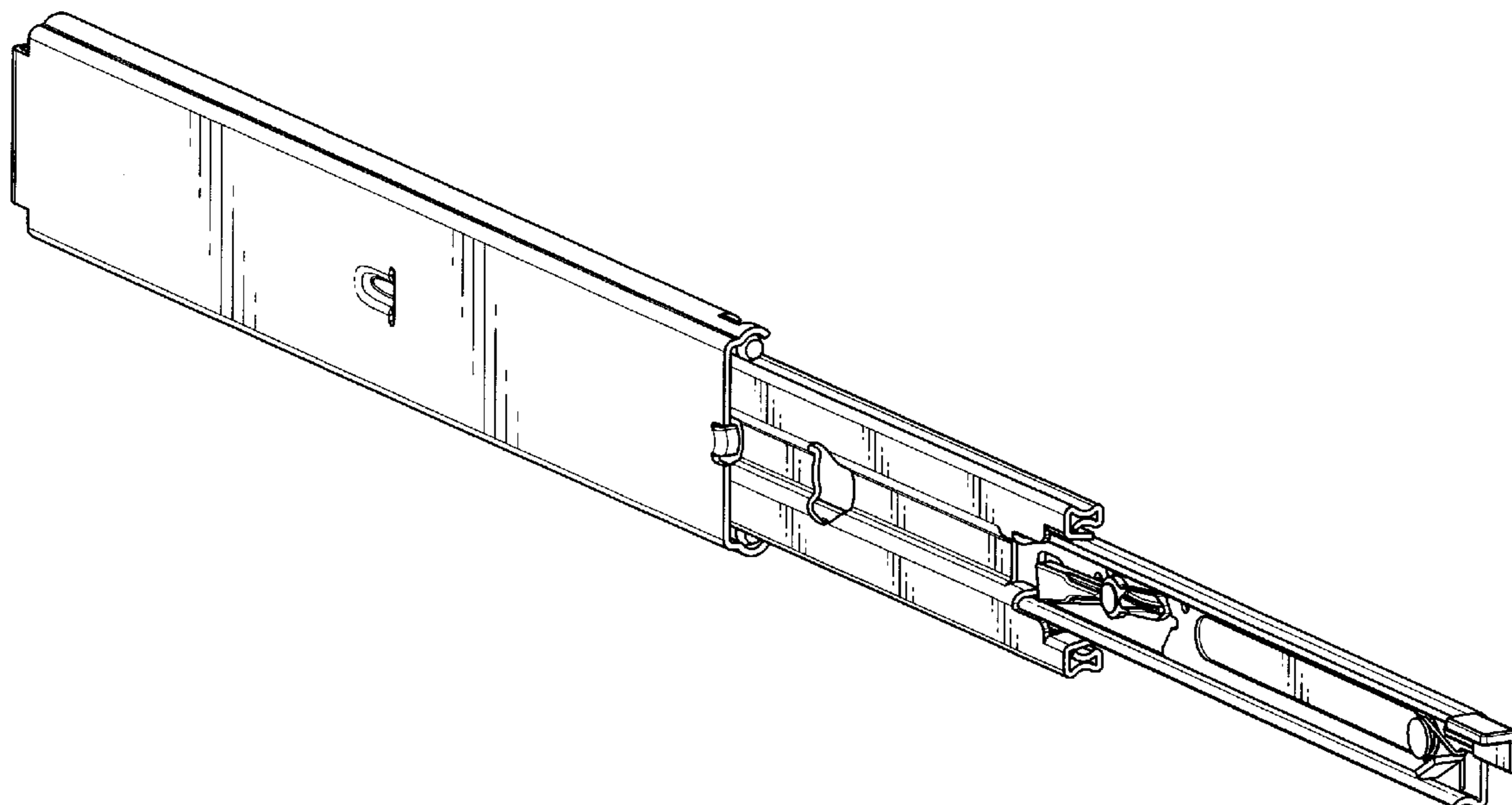
(57) **CLAIM**

The ornamental design for a slide with lock-in/lock-out feature, as shown and described.

DESCRIPTION

FIG. 1 is a perspective view of a slide with lock-in/lock-out feature according to my new design; FIG. 2 is a front view of the slide; FIG. 3 is a bottom view of the slide; FIG. 4 is a back view of the slide; FIG. 5 is a top view of the slide; FIG. 6 is an enlarged right end view of the slide; and, FIG. 7 is an enlarged left end view of the slide.

1 Claim, 3 Drawing Sheets



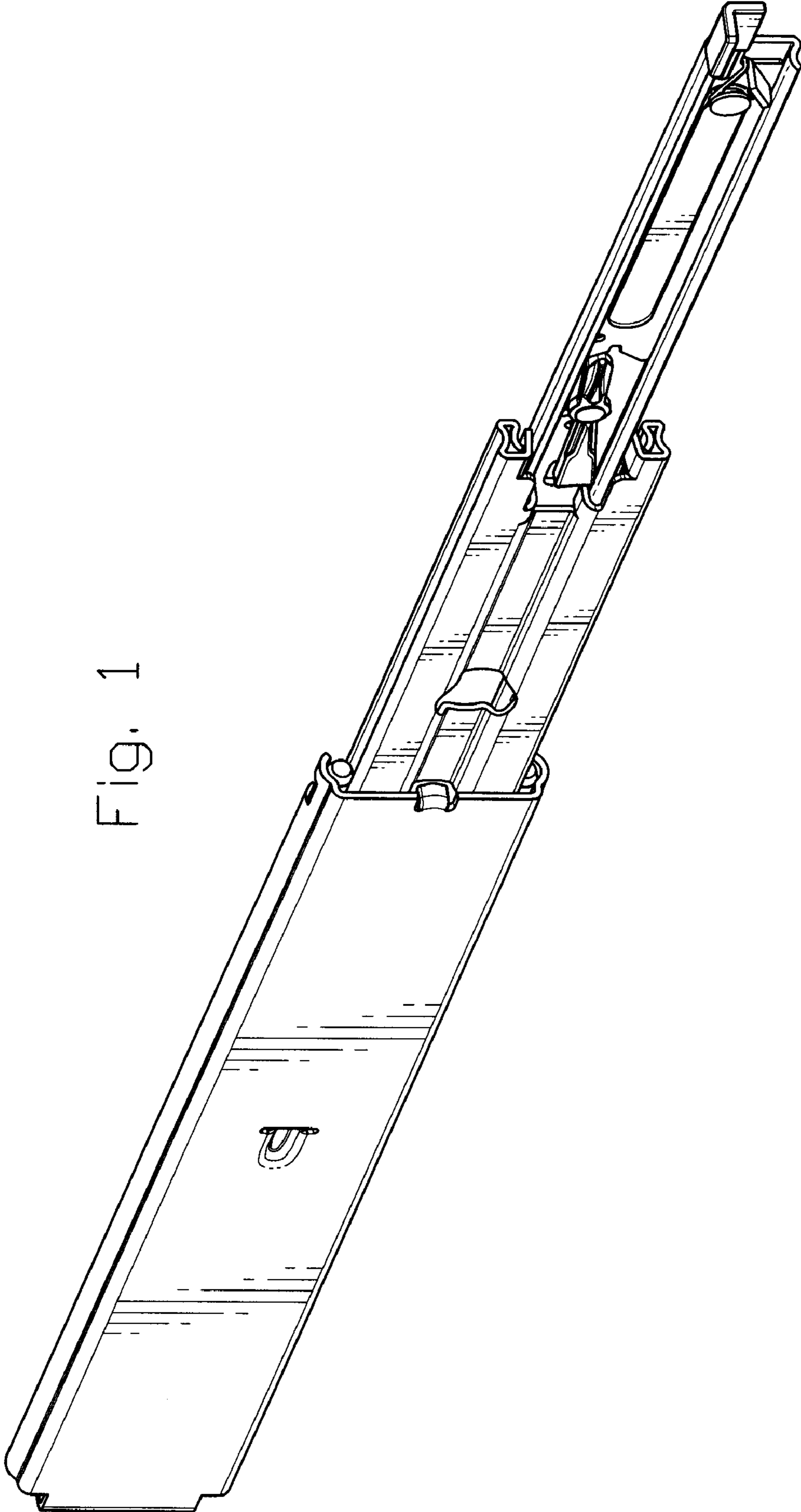


Fig. 1

Fig. 2

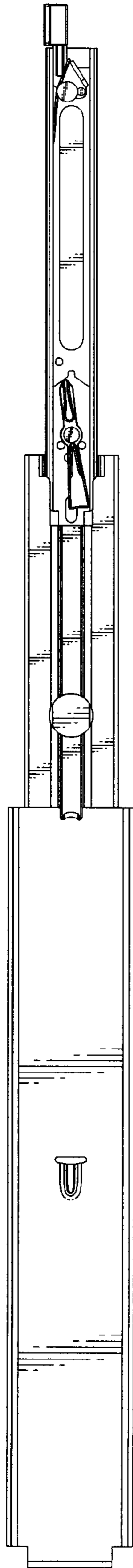


Fig. 3



Fig. 4

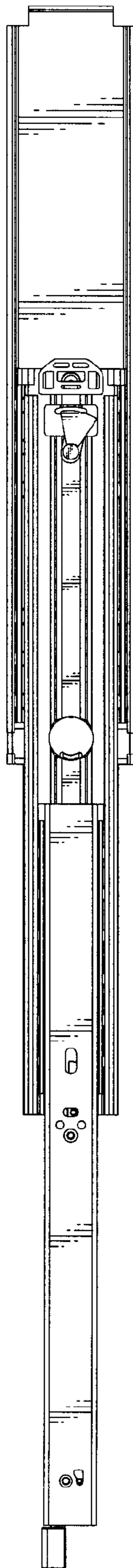


Fig. 5



Fig. 6

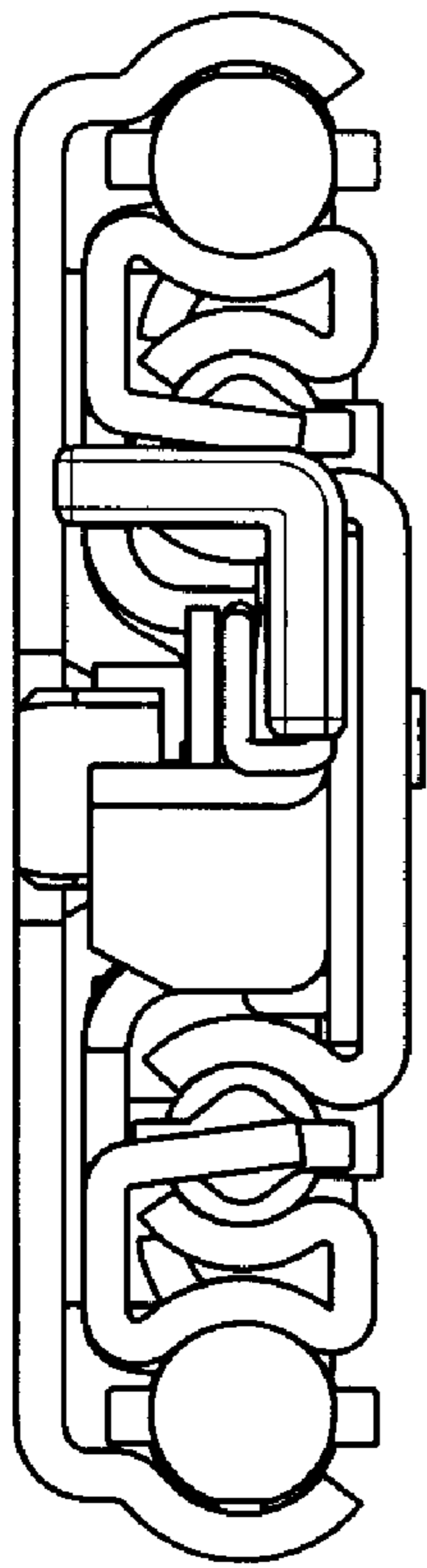


Fig. 7

