



US00D535549S

(12) **United States Design Patent**
Yajima et al.

(10) **Patent No.:** **US D535,549 S**
(45) **Date of Patent:** **** Jan. 23, 2007**

(54) **PORTION OF A VALVE**
(75) Inventors: **Takashi Yajima**, Kasugai (JP);
Katsunori Hirose, Kasugai (JP)
(73) Assignee: **CKD Corporation**, Aichi (JP)
(**) Term: **14 Years**

D428,113 S 7/2000 Russo
D452,134 S * 12/2001 Johns D8/345
D457,804 S * 5/2002 Sawajiri et al. D8/345
D463,011 S 9/2002 Hirose et al.
6,622,536 B1 * 9/2003 Fuller et al. 70/177
6,782,724 B2 * 8/2004 Kelly 70/100
D511,369 S 11/2005 Croft

(21) Appl. No.: **29/258,280**
(22) Filed: **Apr. 20, 2006**

FOREIGN PATENT DOCUMENTS

JP 1206836 5/2004
JP 1206837 5/2004
JP 1207075 5/2004

Related U.S. Application Data

(62) Division of application No. 29/207,935, filed on Jun. 22, 2004, now Pat. No. Des. 527,073.

* cited by examiner

Primary Examiner—Ian Simons
Assistant Examiner—Maurice Stevens
(74) *Attorney, Agent, or Firm*—Banner & Witcoff, Ltd.

(30) **Foreign Application Priority Data**

Apr. 2, 2004 (JP) 2004-010348
Apr. 2, 2004 (JP) 2004-010349
Apr. 2, 2004 (JP) 2004-010350
Apr. 2, 2004 (JP) 2004-010351

(57) **CLAIM**

The ornamental design for a portion of a valve, as shown and described.

(51) **LOC (8) Cl.** **08-07**
(52) **U.S. Cl.** **D8/345**; D23/223
(58) **Field of Classification Search** D8/330–331,
D8/345; 70/12, 141, 175, 177; D23/223,
D23/237, 244, 245, 246, 247, 248, 249, 250;
251/215, 216, 218

DESCRIPTION

See application file for complete search history.

FIG. 1 is a perspective view of a portion of a valve according to the present invention;
FIG. 2 is a front view thereof;
FIG. 3 is a rear view thereof;
FIG. 4 is a top plan view thereof;
FIG. 5 is a bottom plan view thereof;
FIG. 6 is a right side elevational view thereof;
FIG. 7 is a left side elevational view thereof; and,
FIG. 8 is an enlarged portion of the view shown in FIG. 5. The broken lines in FIG. 1 through FIG. 8 are shown for illustrative purposes only and form no part of the claimed design.

(56) **References Cited**

U.S. PATENT DOCUMENTS

730,593 A * 6/1903 Ashmusen 70/141
1,752,667 A 4/1930 Hutchings
D298,962 S 12/1988 Bruninga
D317,248 S * 6/1991 Poe D8/346
D427,284 S 6/2000 Sato et al.

1 Claim, 3 Drawing Sheets

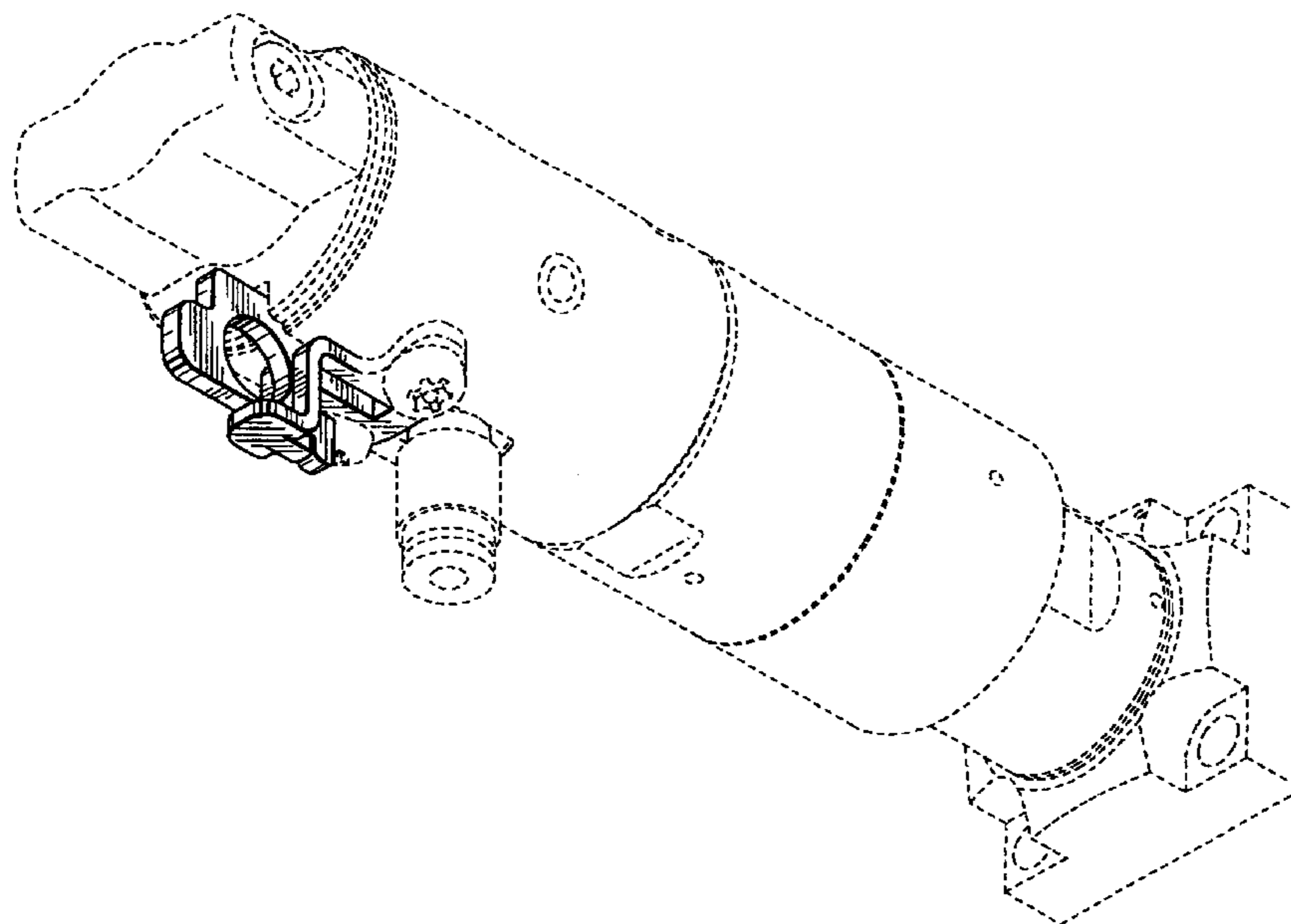


FIG. 1

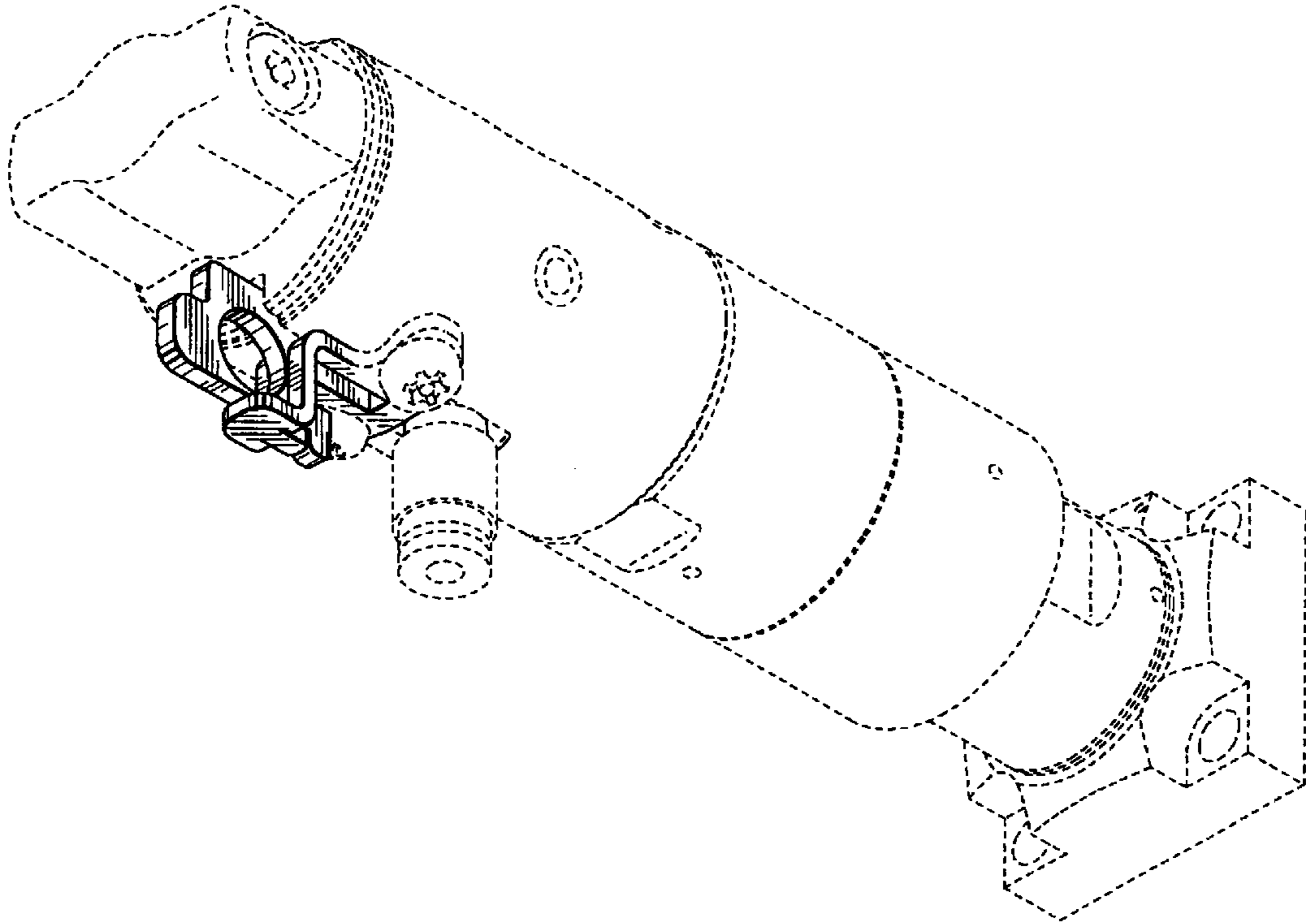


FIG. 2

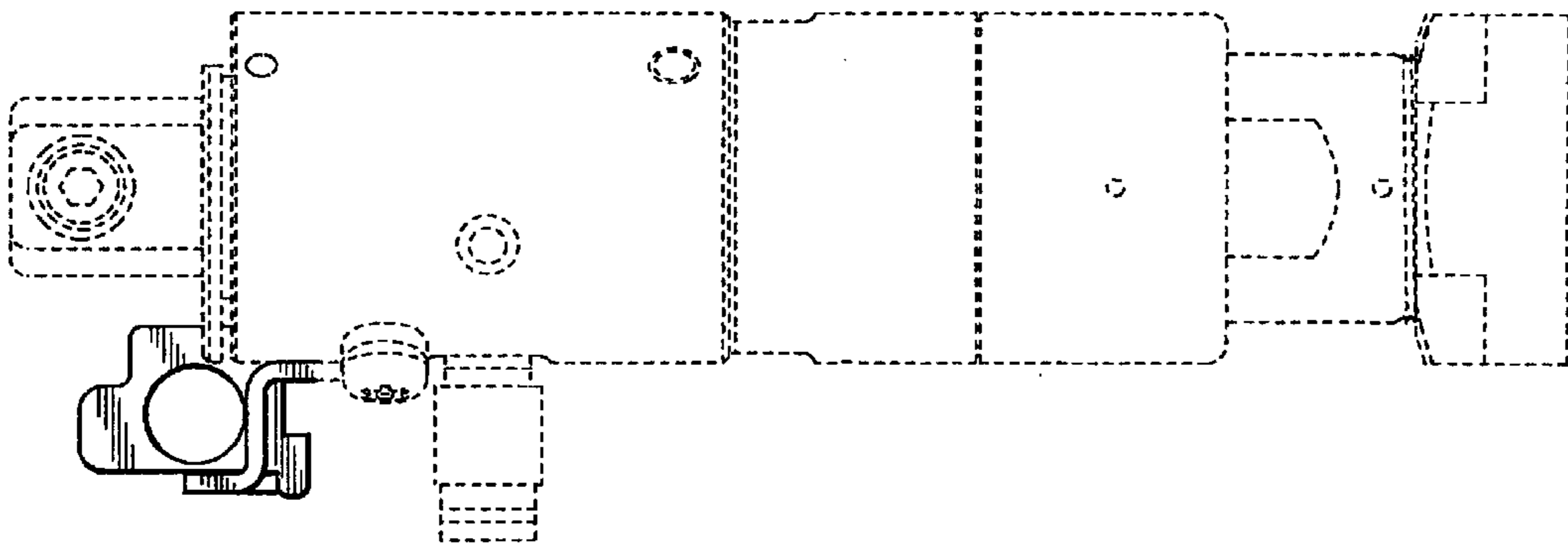


FIG. 3

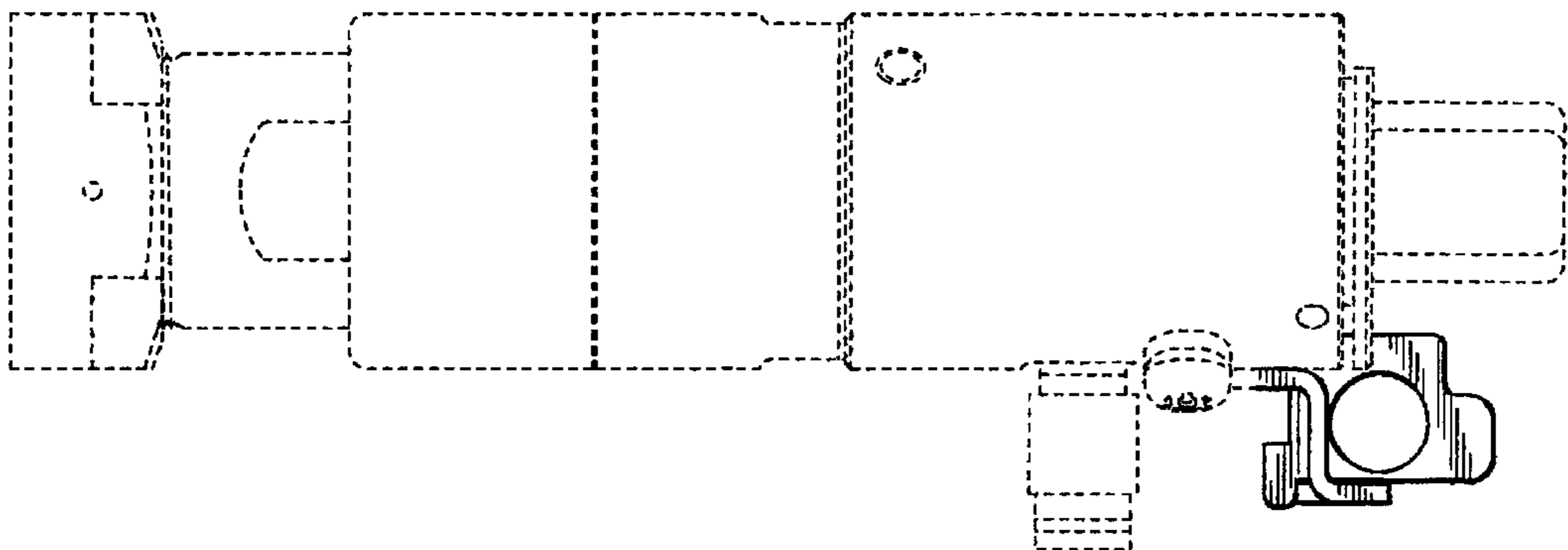


FIG. 4

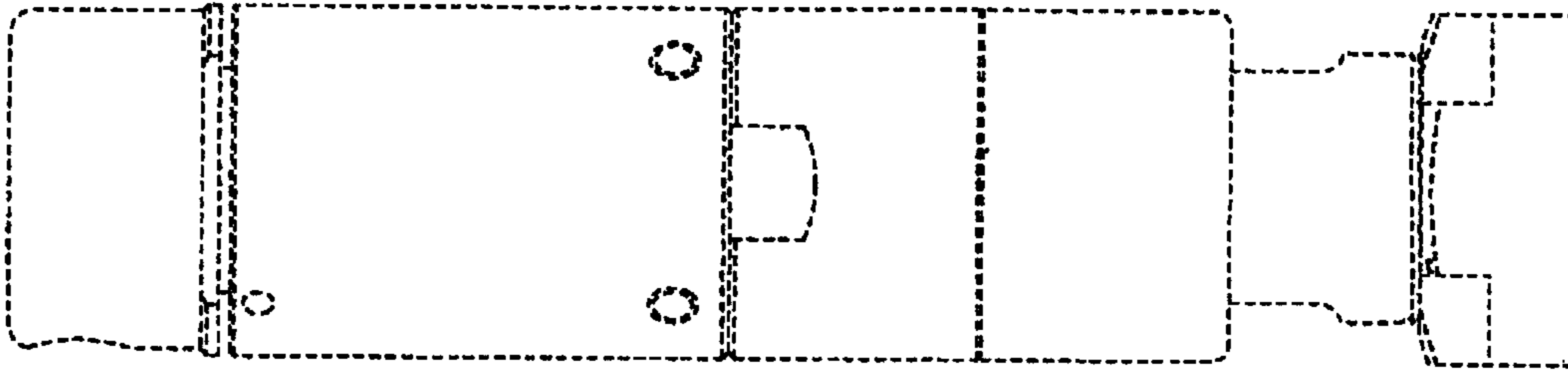


FIG. 5

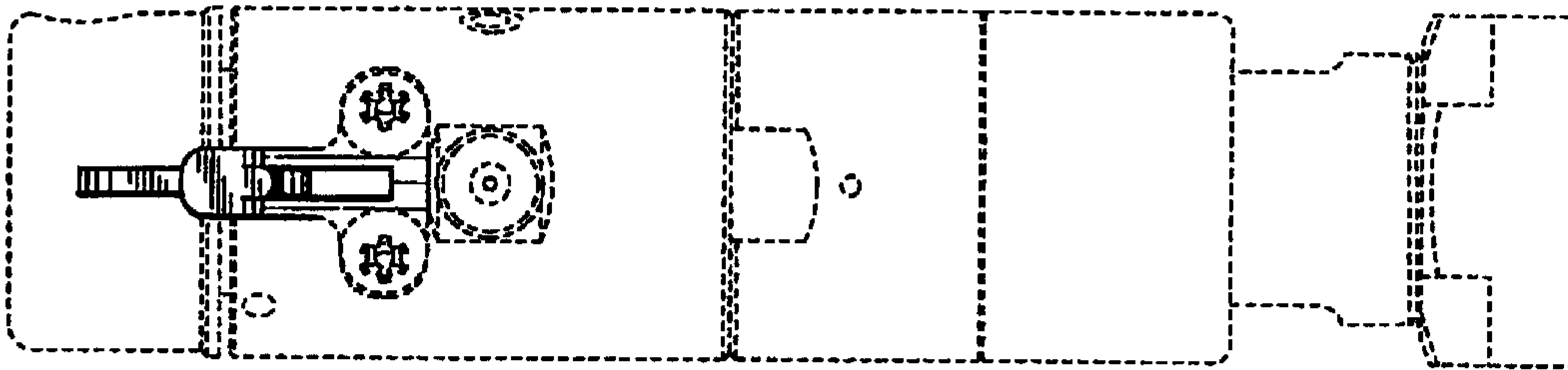


FIG. 6

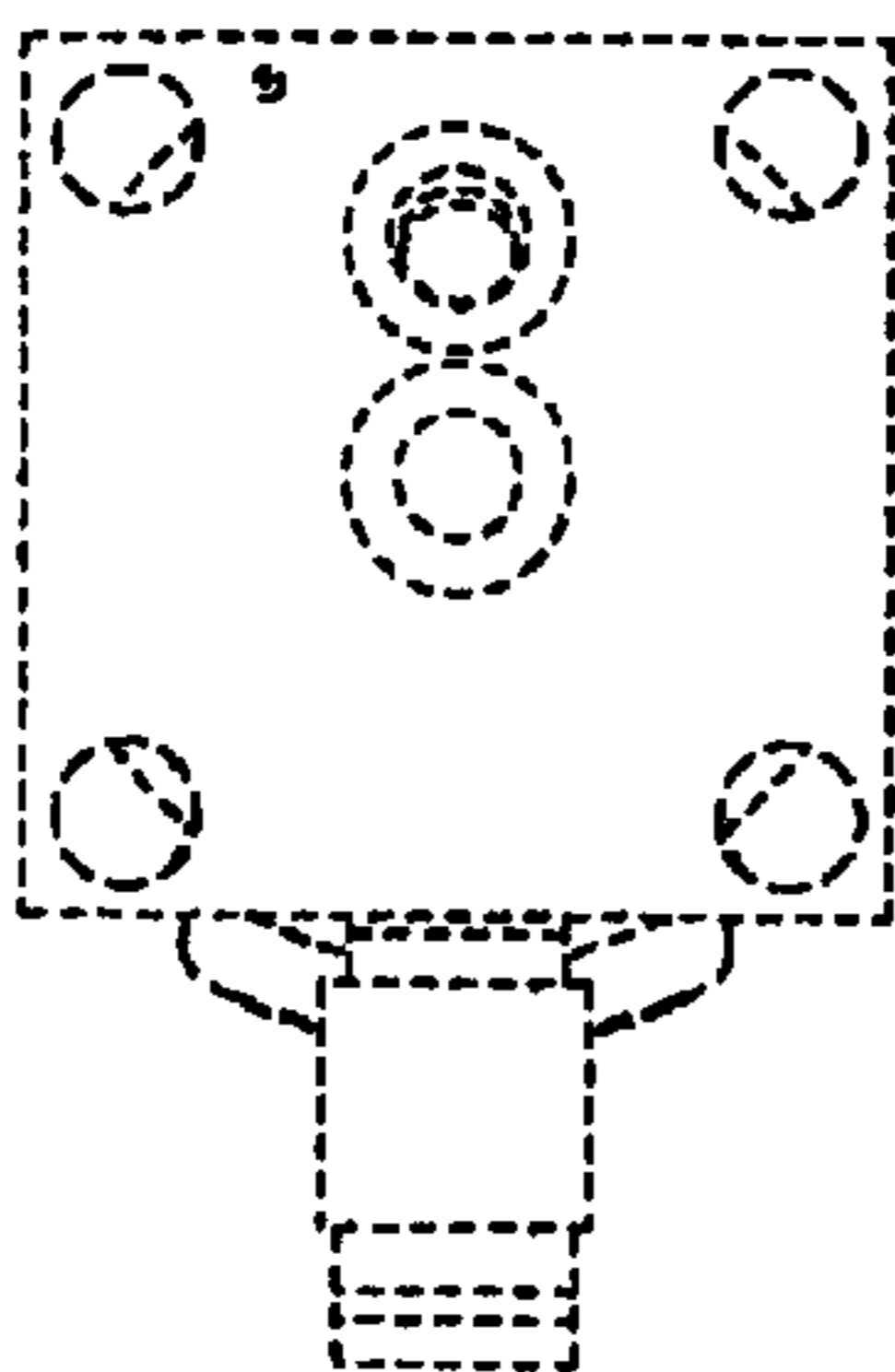


FIG. 7

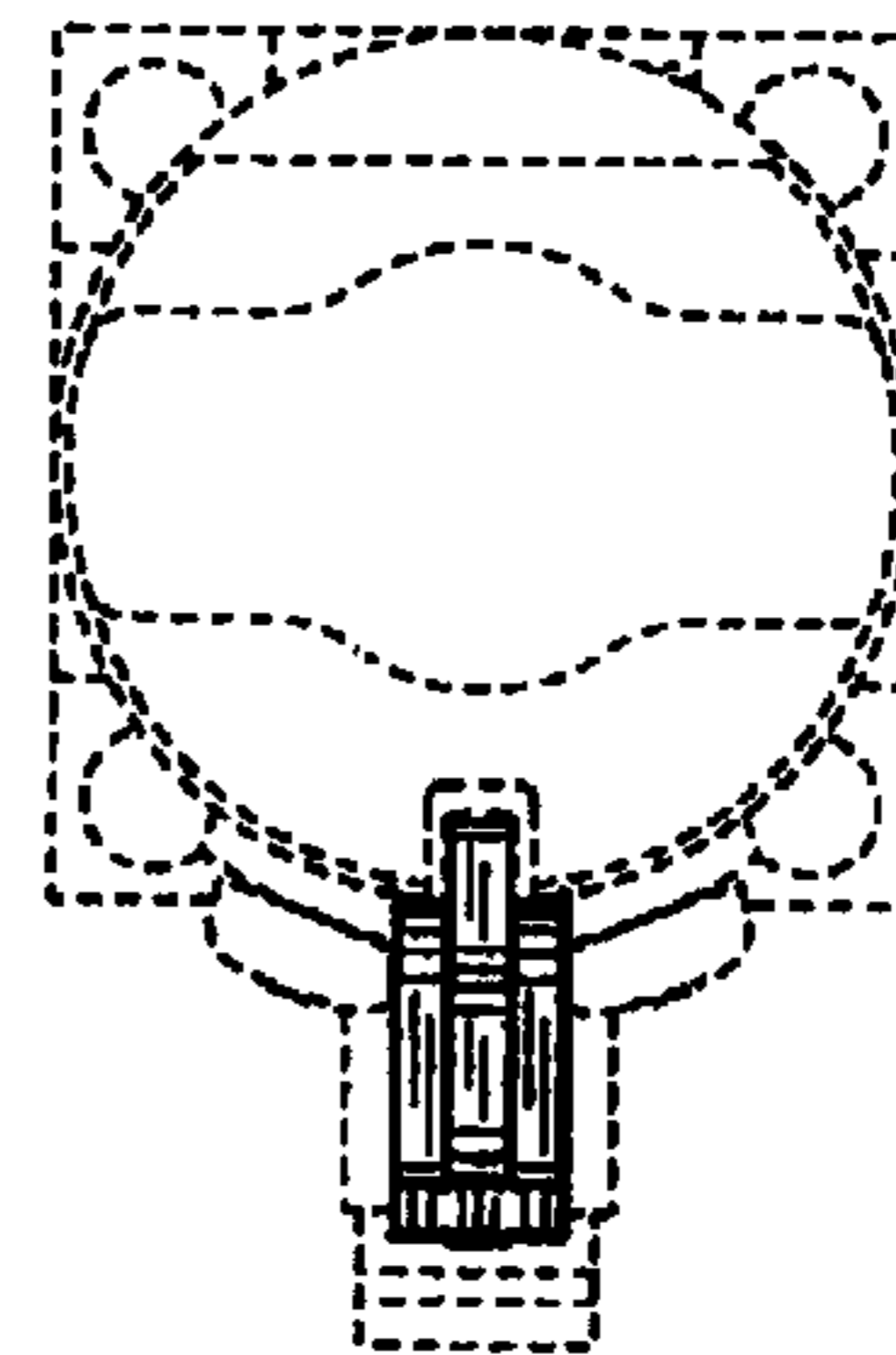


FIG. 8

