



US00D535547S

(12) **United States Design Patent** (10) **Patent No.:** **US D535,547 S**
Lim (45) **Date of Patent:** **** Jan. 23, 2007**

(54) **HINGE FOR A TOILET COVER**

(75) Inventor: **Hyung-Suk Lim**, Seoul (KR)

(73) Assignee: **Paseco Co., Ltd.**, Gyeonggi-Do (KR)

(**) Term: **14 Years**

(21) Appl. No.: **29/239,003**

(22) Filed: **Sep. 22, 2005**

(30) **Foreign Application Priority Data**

May 30, 2005 (KR) 30-2005-0017982

(51) **LOC (8) Cl.** **08-06**

(52) **U.S. Cl.** **D8/326**

(58) **Field of Classification Search** 16/385,
 16/386, 387, 388, 389, 221, DIG. 13, DIG. 40,
 16/DIG. 43, 234–237, 239–241, 245–246,
 16/249, 254, 261–262, 265, 272, 277, 307,
 16/319, 335, 339, 342, 379, 381–383, 384;
 4/236, 237, 238, 239, 240; D23/303; 248/200,
 248/221.11, 300, 309.1, 317; D7/334, 337,
 D7/402; D8/323, 324, 325, 326, 327, 328,
 D8/329, 349, 354, 356

See application file for complete search history.

(56) **References Cited**

U.S. PATENT DOCUMENTS

4,159,548	A *	7/1979	Hewson	4/240
4,807,330	A *	2/1989	Gomes	16/261
5,419,013	A *	5/1995	Hsiao	16/319
5,491,873	A *	2/1996	Ferguson	16/245
D385,020	S *	10/1997	Francke	D8/326
6,052,869	A *	4/2000	Suzuki	4/236
6,421,842	B1 *	7/2002	Fujita	4/236
6,634,061	B1 *	10/2003	Maynard	16/319
6,647,593	B2 *	11/2003	Iguchi et al.	16/386
6,687,921	B1 *	2/2004	Li	4/236
6,751,826	B2 *	6/2004	Miller	16/386
2002/0083555	A1 *	7/2002	Suzuki	16/340
2004/0000029	A1 *	1/2004	Miller	16/262

* cited by examiner

Primary Examiner—T. Chase Nelson

(74) *Attorney, Agent, or Firm*—Lee, Hong, Degerman,
 Kang & Schmadeka

(57) **CLAIM**

The ornamental design for a hinge for a toilet cover, as shown and described.

DESCRIPTION

FIG. 1 is a first front perspective view of a hinge for a toilet cover;

FIG. 2 is a front elevational view thereof;

FIG. 3 is a rear elevational view thereof;

FIG. 4 is a left side elevational view thereof;

FIG. 5 is a right side elevational view thereof;

FIG. 6 is a top plan view thereof;

FIG. 7 is a bottom plan view thereof;

FIG. 8 is a reduced scale, exploded first front perspective view thereof, it being understood that the brackets embracing the exploded portions of the design as well as the broken lines indicating the order of their assembly form no part of the claimed design;

FIG. 9 is a second front perspective view showing the hinge for a toilet cover in an alternate position; and,

FIG. 10 is a greatly reduced scale front perspective view showing the hinge for a toilet cover in use.

Any broken lines showing certain structures and environments are for illustrative purposes only and form no part of the claimed design.

The claim is directed to the design as depicted in FIGS. 1 through 7 and FIGS. 9 and 10. The exploded view of FIG. 8 is included to show aspects of the design and its assembly not apparent in the other drawing views, but it is understood that those elements, or portions of elements, shown in FIG. 8 that are not visible in the remaining views are included for illustrative purposes only and form no part of the claimed design.

1 Claim, 5 Drawing Sheets

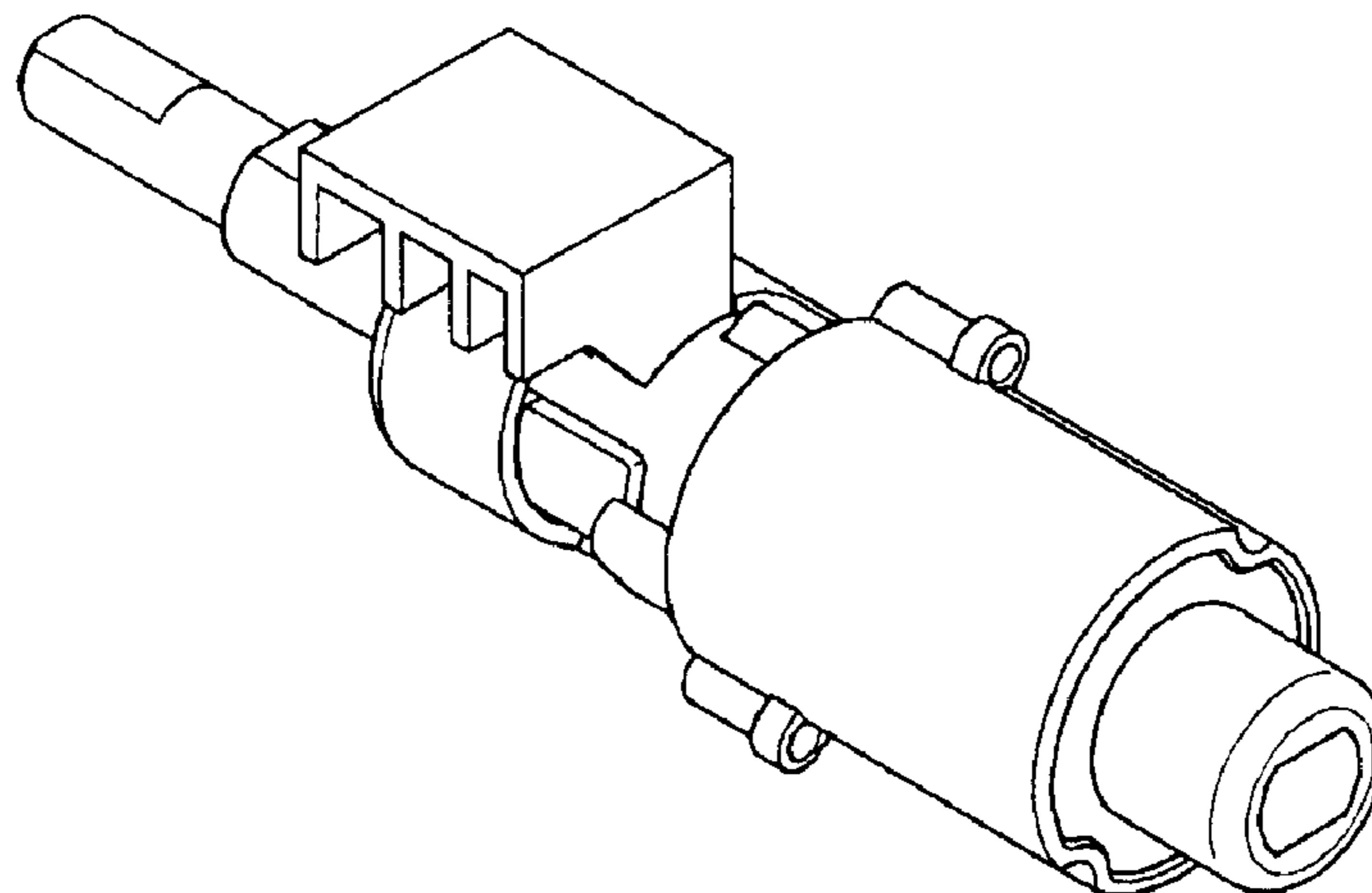


FIG. 1

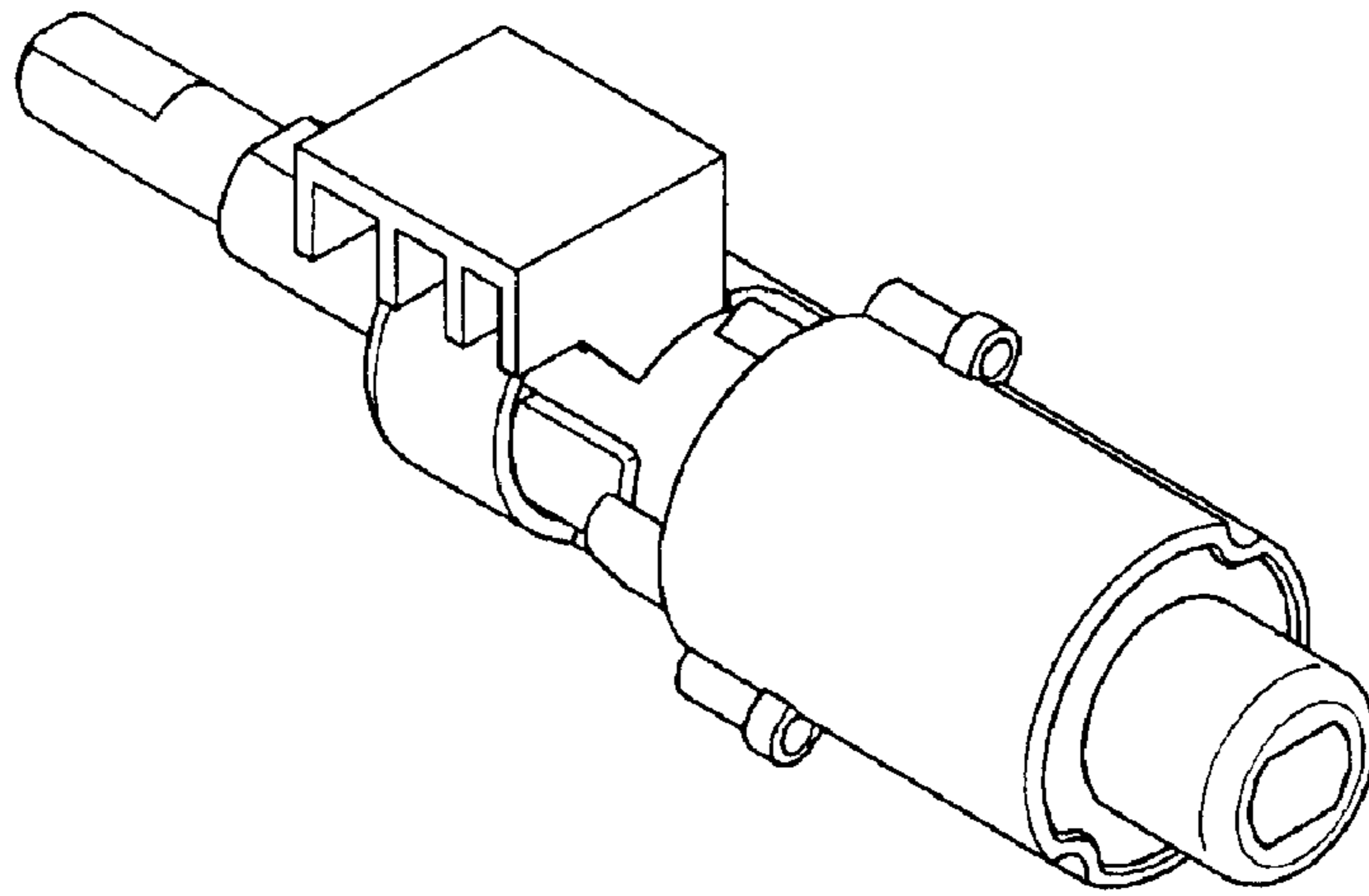


FIG. 2

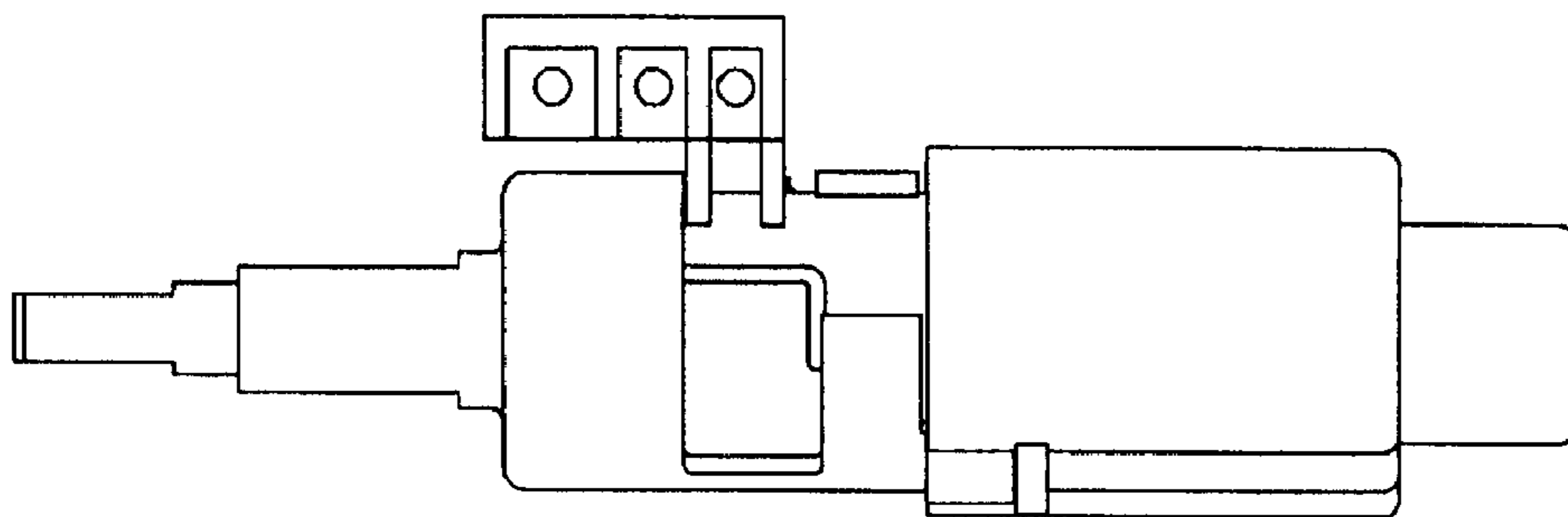


FIG. 3

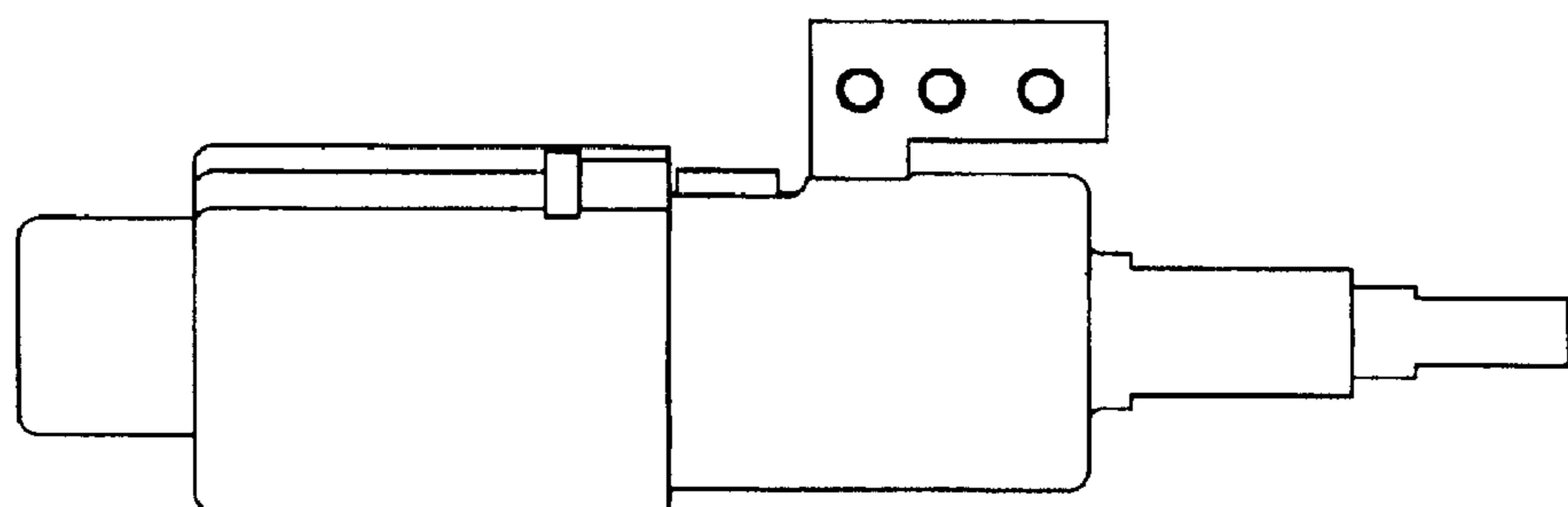


FIG. 4

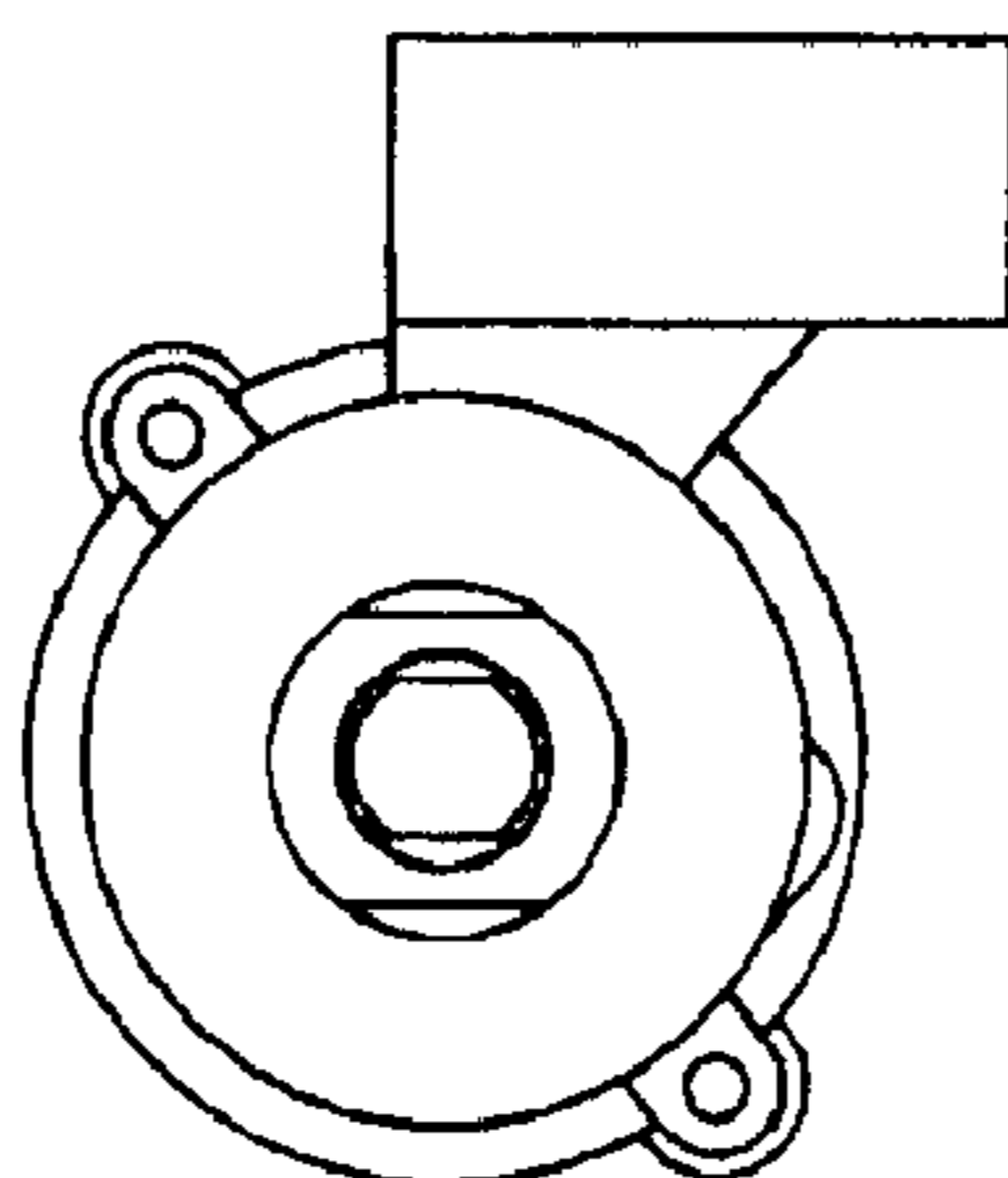


FIG. 5

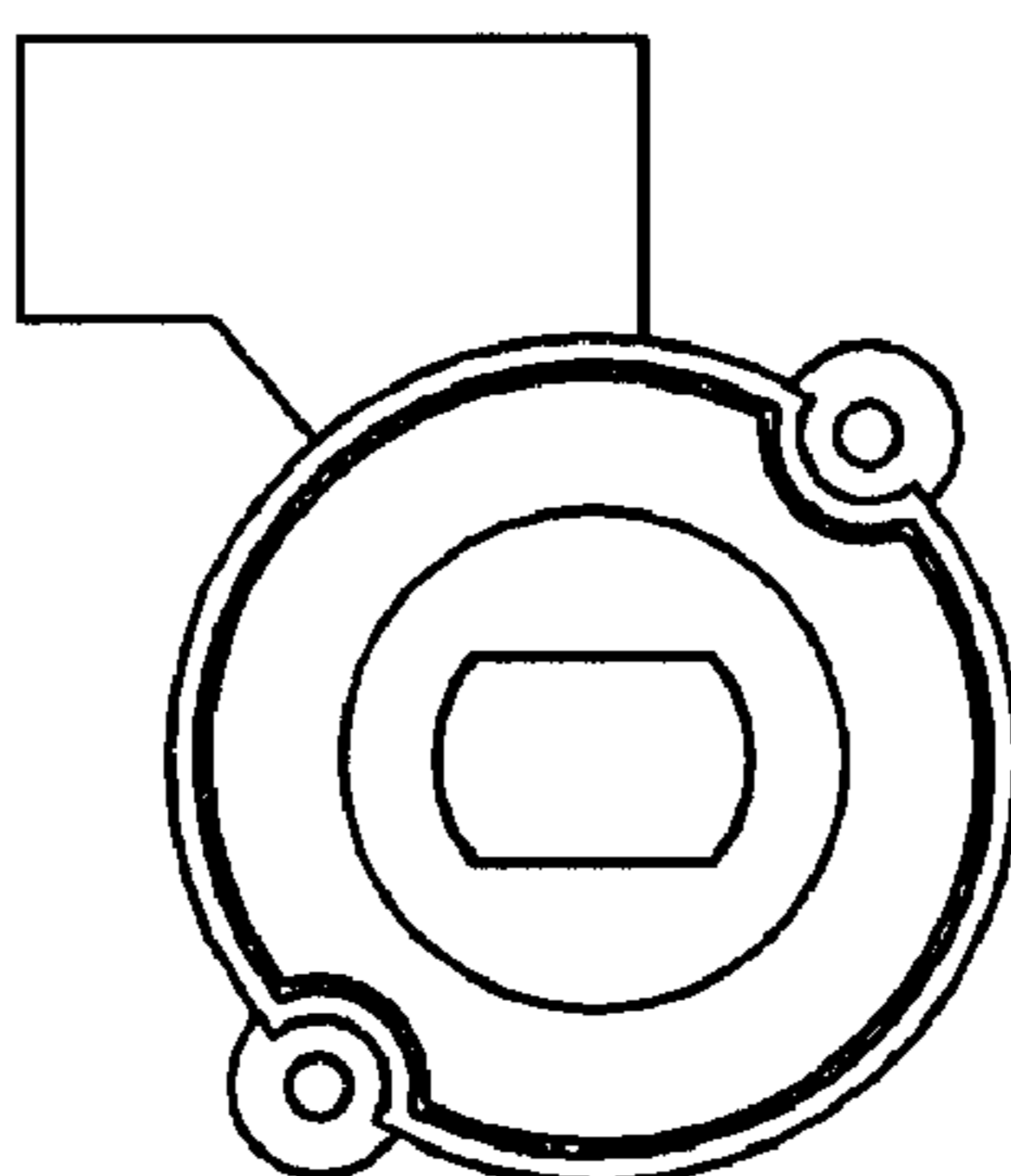


FIG. 6

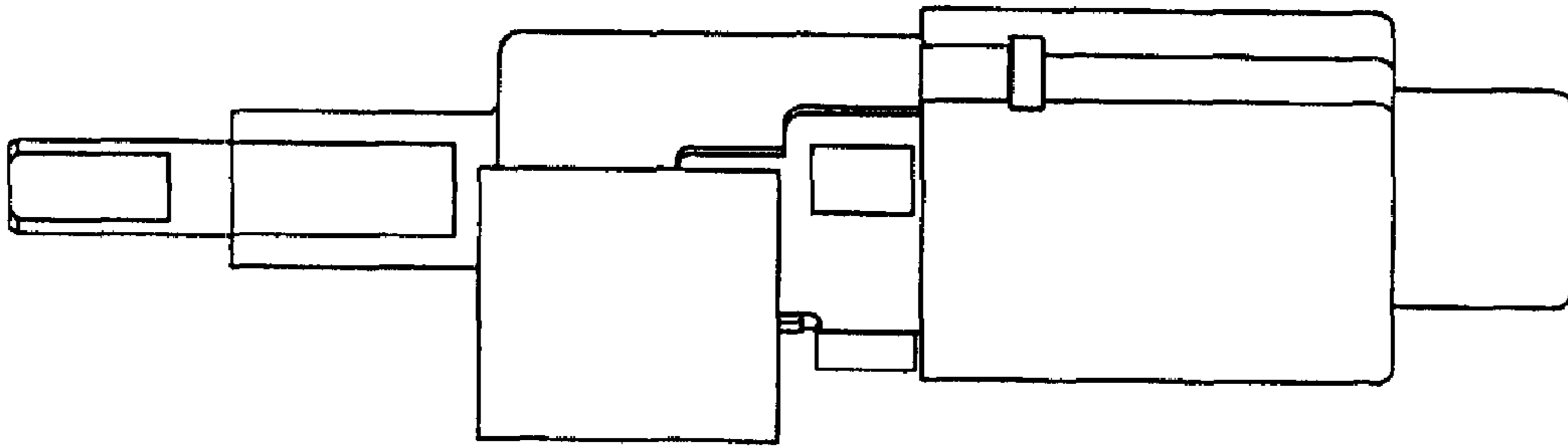


FIG. 7

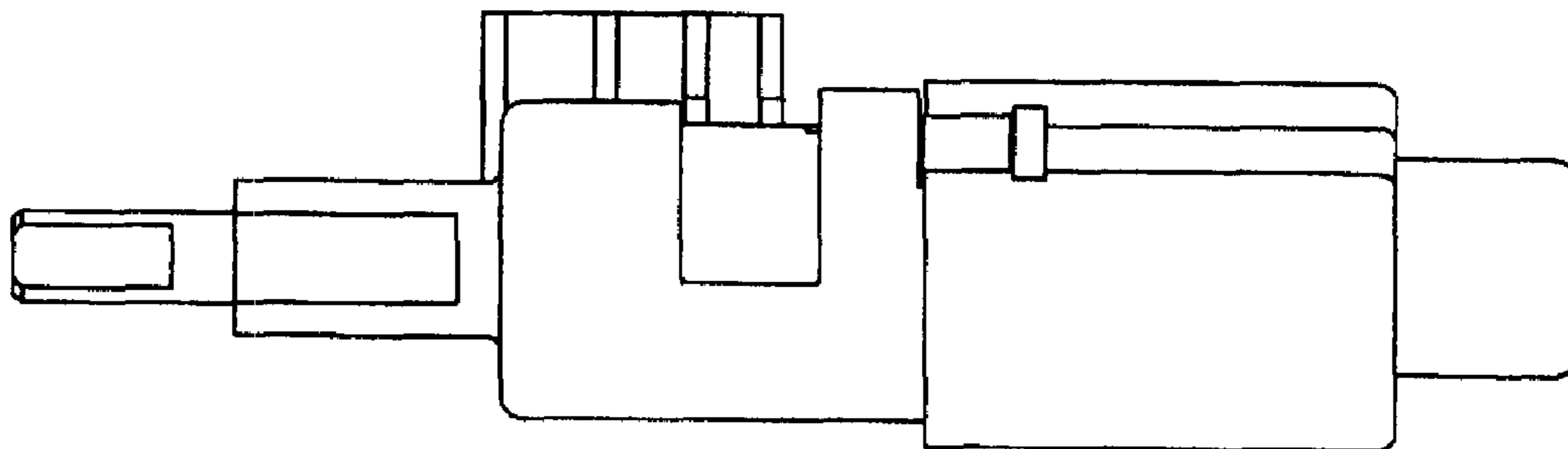


FIG. 8

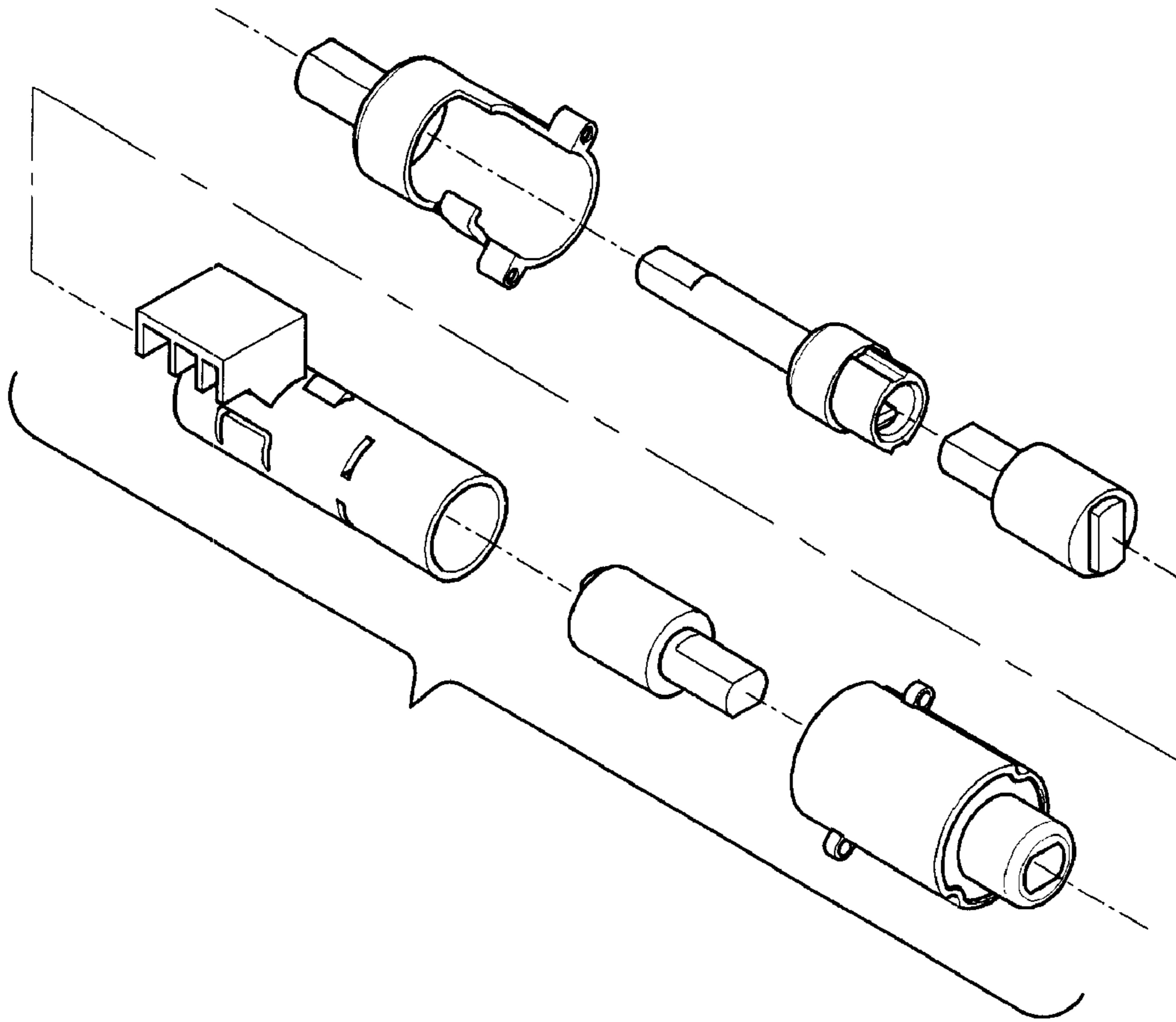


FIG. 9

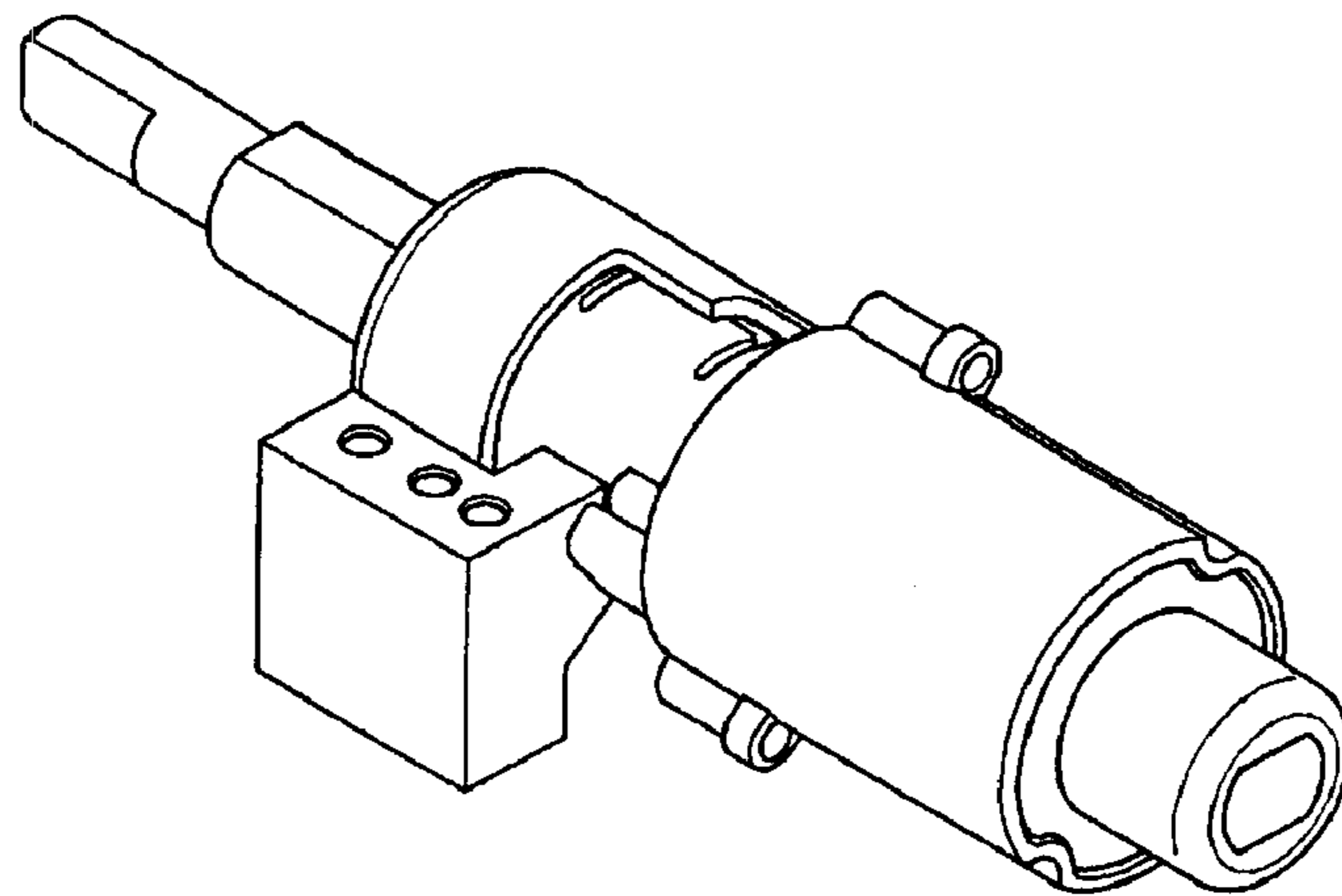


FIG. 10

