



US00D535545S

(12) **United States Design Patent**  
**Gilbert**

(10) **Patent No.:** **US D535,545 S**  
(45) **Date of Patent:** **\*\* Jan. 23, 2007**

(54) **LEVER**  
(75) Inventor: **Christopher Jon Gilbert**, Moreland Hills, OH (US)  
(73) Assignee: **Moen Incorporated**, North Olmsted, OH (US)  
(\*\*) Term: **14 Years**  
(21) Appl. No.: **29/218,247**  
(22) Filed: **Nov. 30, 2004**  
(51) **LOC (8) Cl.** ..... **08-06**  
(52) **U.S. Cl.** ..... **D8/308**  
(58) **Field of Classification Search** ..... D8/300, D8/307, 308, 310, DIG. 1, DIG. 10; D23/238, D23/243, 252, 255, DIG. 1; 4/675-678; 137/625.17, 137/625.4, 801; 16/DIG. 12; 292/DIG. 8  
See application file for complete search history.

D421,096 S 2/2000 Sawhney et al.  
D424,663 S 5/2000 Mark et al.  
D426,619 S 6/2000 Sawhney et al.  
D427,290 S 6/2000 Milrud et al.  
D429,798 S \* 8/2000 Milrud et al. .... D23/252  
D433,735 S 11/2000 Lord  
D443,678 S 6/2001 Lord  
D444,851 S 7/2001 Sturgeon  
D448,068 S 9/2001 Lord  
D458,666 S 6/2002 Mark et al.  
D464,404 S 10/2002 Lord  
D464,405 S 10/2002 Lord  
D465,015 S 10/2002 Hoernig  
D467,642 S 12/2002 Panis et al.  
D467,996 S 12/2002 Panis et al.  
D470,917 S 2/2003 Friedrich  
D471,254 S 3/2003 Bonnell et al.  
D474,259 S 5/2003 Marshall  
D476,720 S 7/2003 Hanna  
D489,120 S \* 4/2004 Shieh ..... D23/252  
D495,402 S \* 8/2004 Spiegelberg et al. .... D23/252  
D507,331 S \* 7/2005 Lord et al. .... D23/252

(56) **References Cited**  
U.S. PATENT DOCUMENTS

D131,217 S \* 1/1942 Braun ..... D8/308  
D193,757 S 10/1962 Armstrong  
D273,128 S 3/1984 Roddick  
D291,235 S 8/1987 Bergmann et al.  
D293,599 S 1/1988 Bergmann et al.  
D293,605 S 1/1988 Bergmann et al.  
D318,717 S \* 7/1991 Spangler ..... D23/252  
D318,901 S \* 8/1991 Rodstein ..... D23/242  
D324,725 S 3/1992 Lang et al.  
5,303,737 A 4/1994 Koch  
D357,525 S \* 4/1995 Fabian ..... D23/252  
D358,869 S 5/1995 Mark et al.  
D384,729 S 10/1997 Fabian  
D387,416 S 12/1997 Chin  
D397,423 S 8/1998 Short et al.  
D404,470 S \* 1/1999 Pitsch et al. .... D23/252  
D406,877 S 3/1999 Esche et al.  
D407,466 S \* 3/1999 Hundley et al. .... D23/252  
D409,726 S 5/1999 Formgren  
D417,490 S 12/1999 Formgren  
6,003,170 A 12/1999 Humpert et al.

\* cited by examiner

*Primary Examiner*—Paula A. Greene  
(74) *Attorney, Agent, or Firm*—Calfee, Halter & Griswold LLP

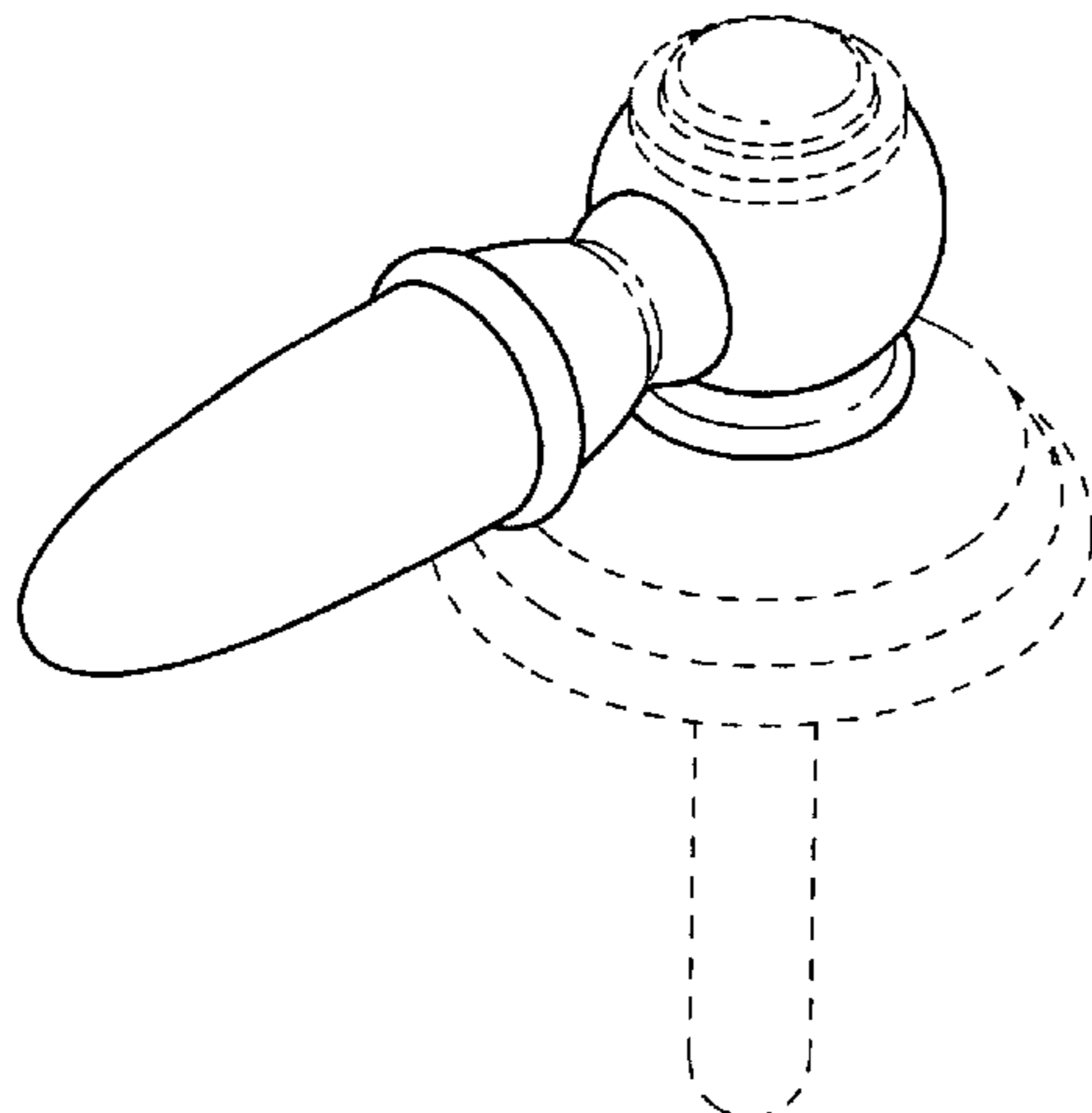
(57) **CLAIM**

The ornamental design for a lever, as shown and described.

**DESCRIPTION**

FIG. 1 is a perspective view of a lever of the new design; FIG. 2 is a front elevational view of the lever of FIG. 1; FIG. 3 is a right side elevational view of the lever of FIG. 1; FIG. 4 is a bottom plan view of the lever of FIG. 1; FIG. 5 is a top plan view of the lever of FIG. 1; FIG. 6 is a rear elevational view of the lever of FIG. 1; and, FIG. 7 is a left side elevational view of the lever of FIG. 1. The portions of the Figures shown in broken lines are not part of the claimed design but are for illustration only.

**1 Claim, 2 Drawing Sheets**



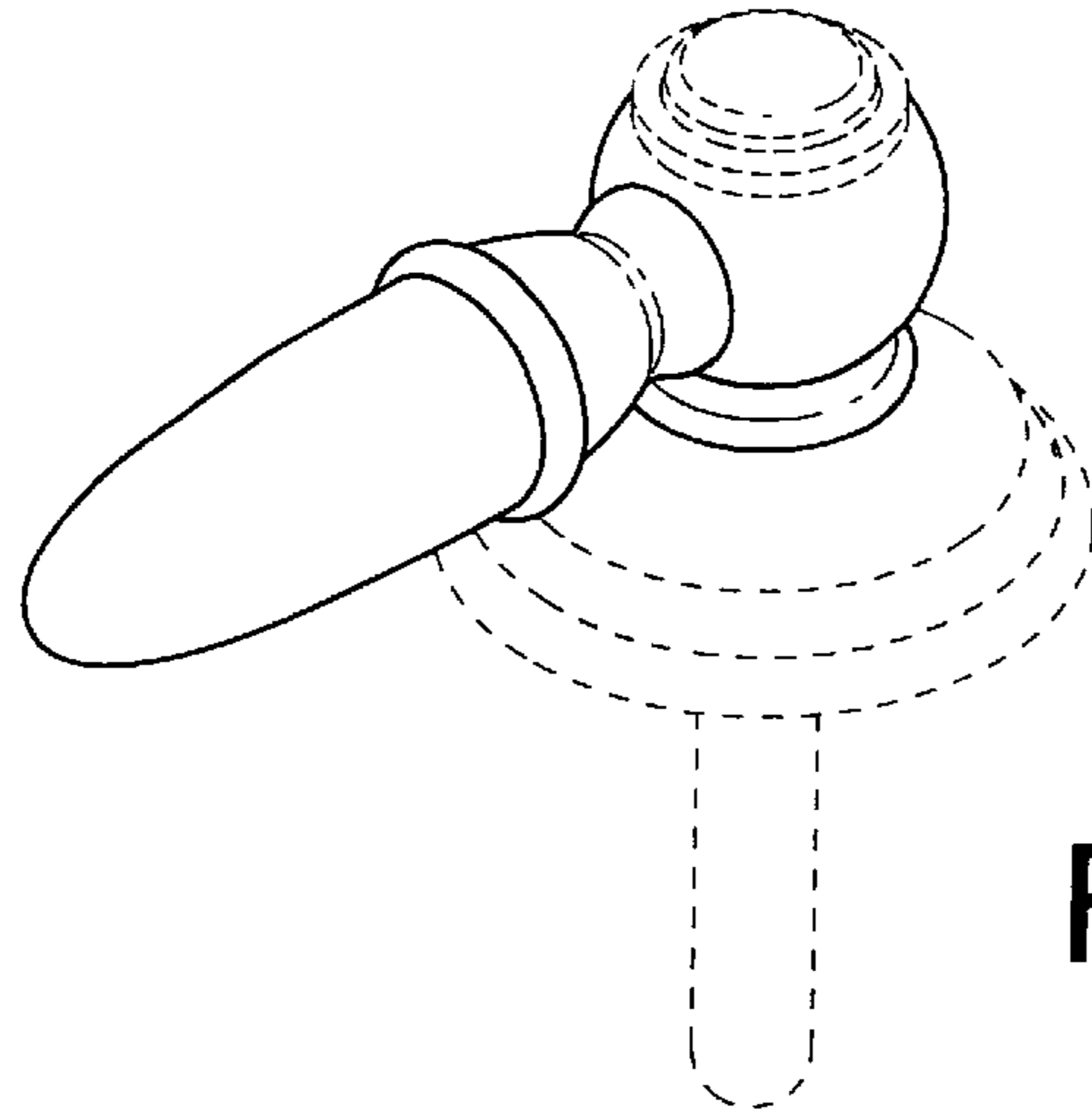


FIG. 1

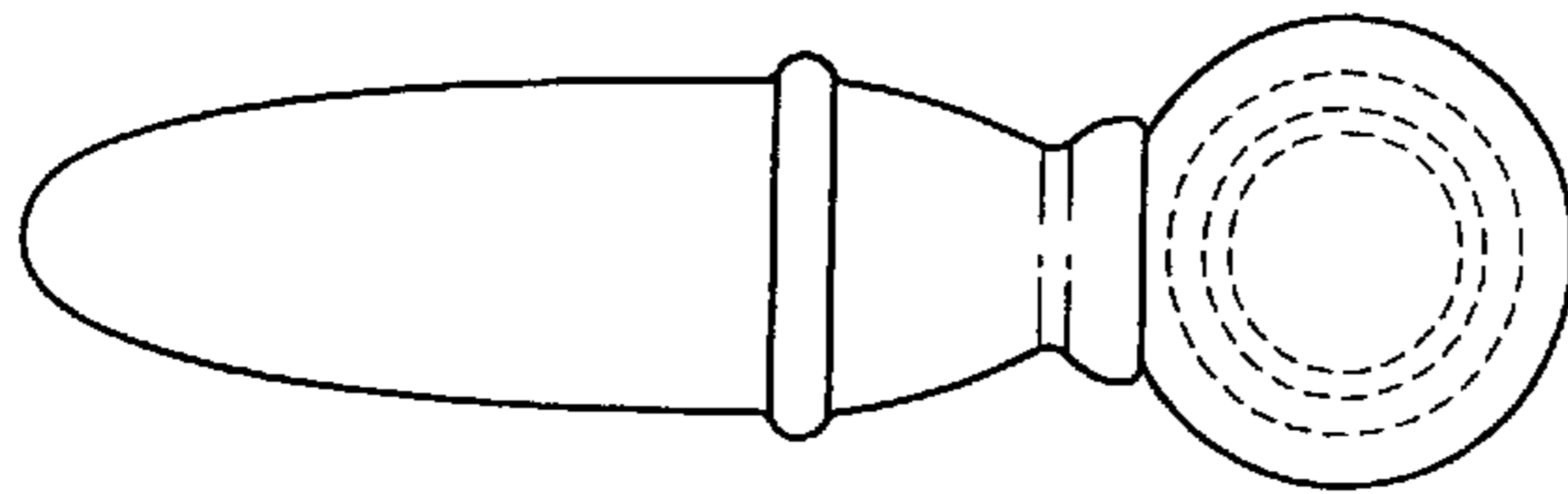


FIG. 2

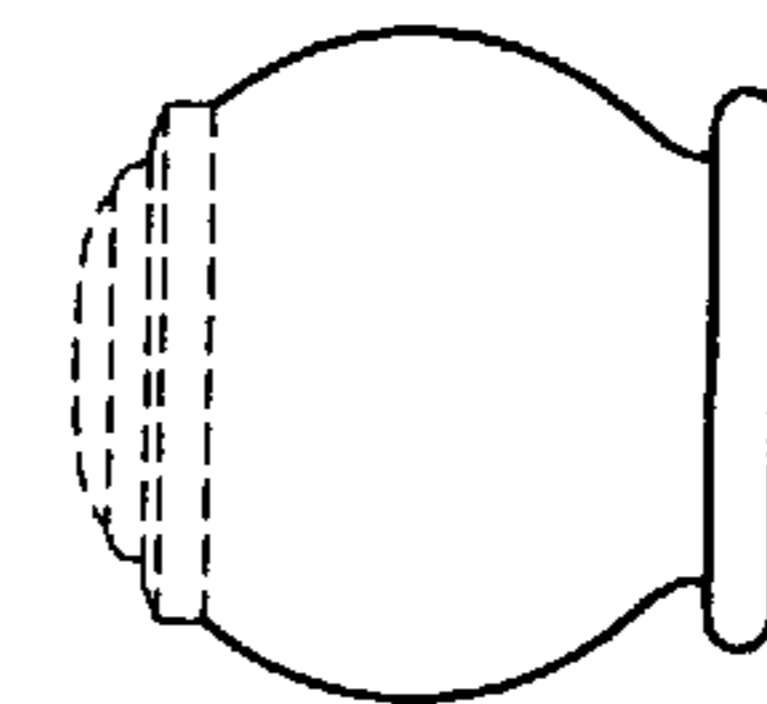


FIG. 3

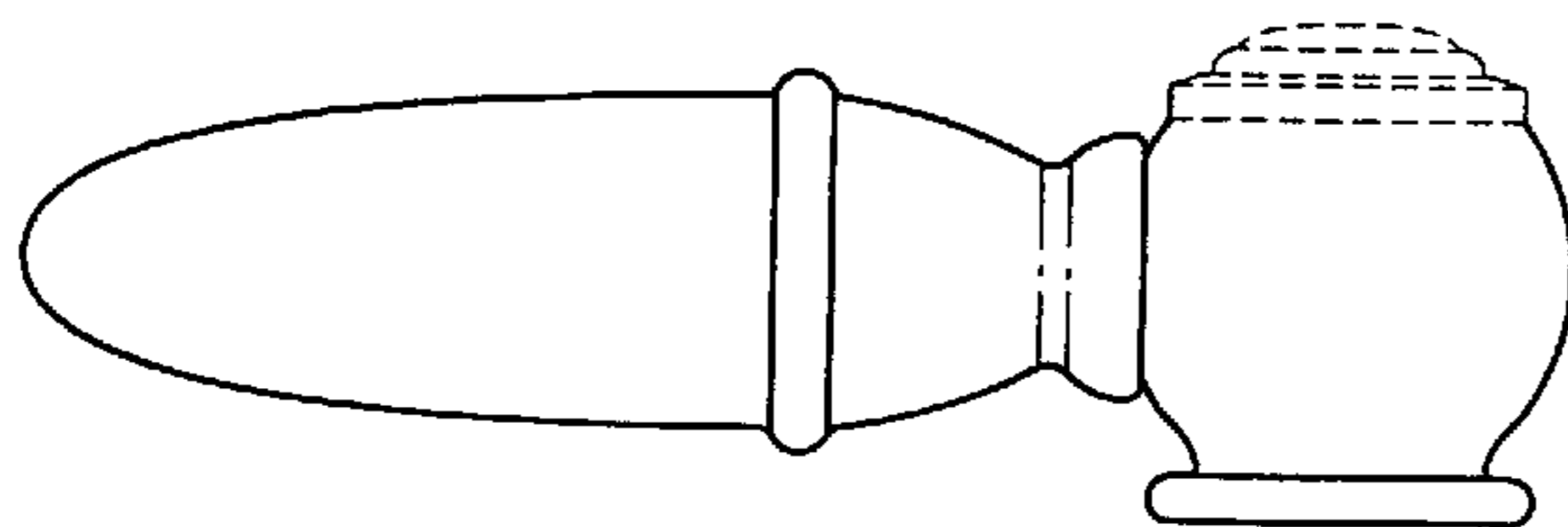


FIG. 4

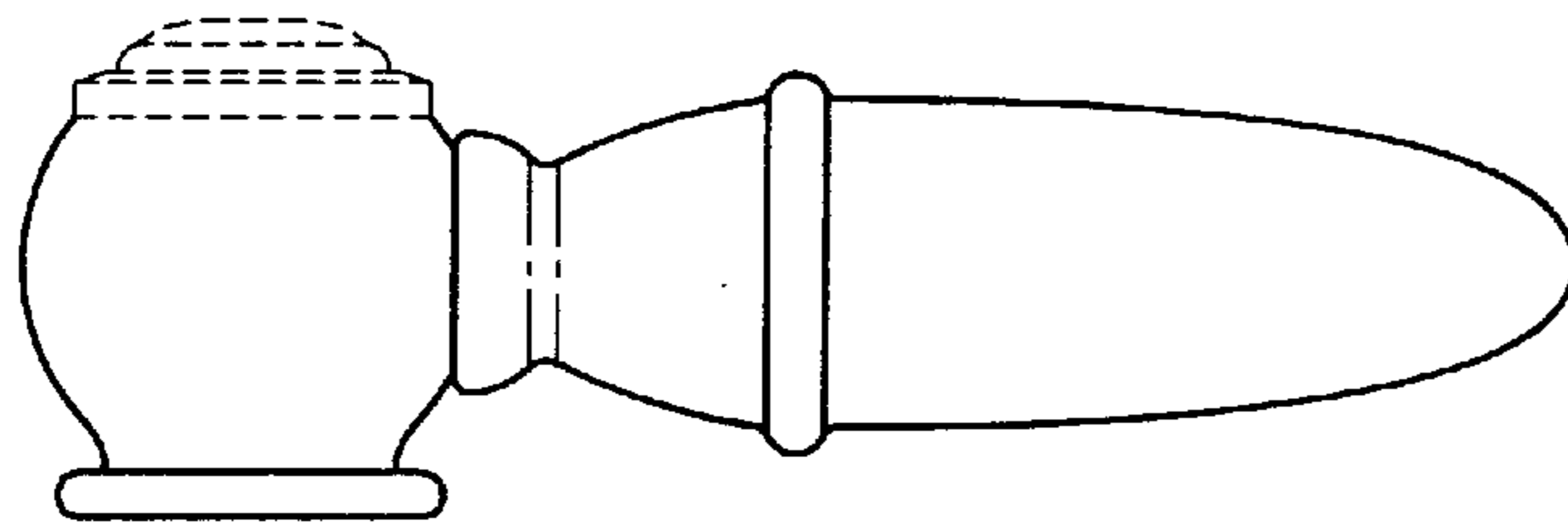


FIG. 5

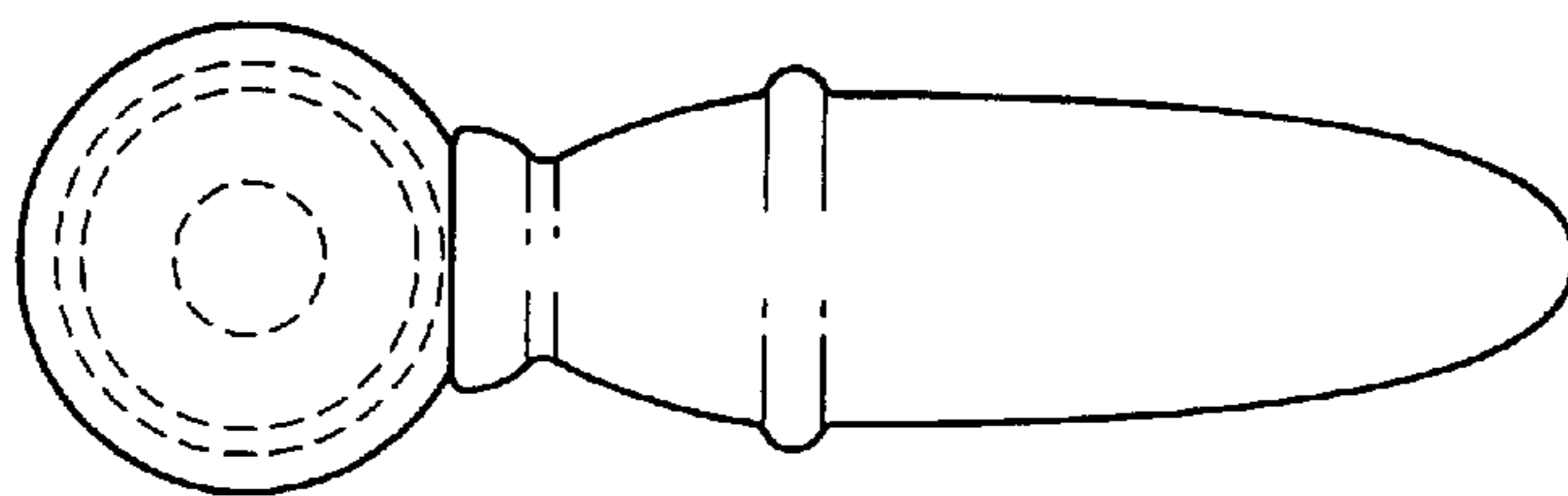


FIG. 6

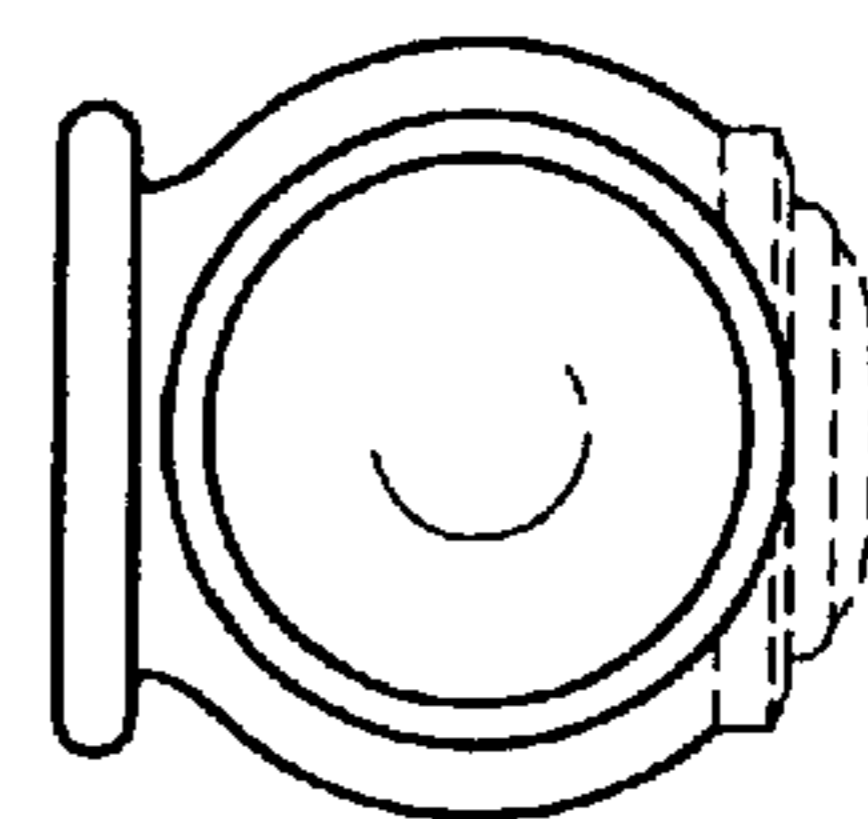


FIG. 7