



US00D535537S

(12) **United States Design Patent**
Aglassinger

(10) **Patent No.:** **US D535,537 S**

(45) **Date of Patent:** **** Jan. 23, 2007**

(54) **ROTARY HAMMER**

(75) Inventor: **Hans-Peter Aglassinger**, Esslingen
(DE)

(73) Assignee: **Robert Bosch GmbH**, Stuttgart (DE)

(**) Term: **14 Years**

(21) Appl. No.: **29/253,593**

(22) Filed: **Feb. 9, 2006**

(30) **Foreign Application Priority Data**

Aug. 29, 2005 (DE) 405 04 538

(51) **LOC (8) Cl.** **08-02**

(52) **U.S. Cl.** **D8/69**

(58) **Field of Classification Search** D8/14.1,
D8/61, 62, 63, 64, 65, 66, 67, 68, 69, 70;
81/57.11, 429, 464, 465, 466, 469, 489; 173/13,
173/104, 114, 168, 169, 170, 171, 178, 201,
173/211, 213, 217; 408/20, 124, 125, 234,
408/241 R; 451/358; 310/50; 227/8, 113,
227/114, 120, 130, 136, 142

See application file for complete search history.

(56) **References Cited**

U.S. PATENT DOCUMENTS

D320,918 S * 10/1991 Mochida D8/68
D378,654 S * 4/1997 Matsuoka et al. D8/69
5,671,815 A * 9/1997 Kabatnik et al. 173/217
5,881,823 A * 3/1999 Kabatnik et al. 310/50
D442,452 S * 5/2001 Stirm et al. D8/69
6,223,835 B1 * 5/2001 Habedank et al. 173/217
D447,036 S * 8/2001 Netzler D8/69
6,357,533 B1 * 3/2002 Buchholz et al. 173/217

6,412,572 B2 * 7/2002 Habedank et al. 310/50
D485,738 S * 1/2004 Pretzell D8/69
D491,438 S * 6/2004 Cheung et al. D8/68
D502,375 S * 3/2005 Aglassinger D8/68
D502,377 S * 3/2005 Aglassinger D8/69
D511,286 S * 11/2005 Aglassinger D8/68
6,971,456 B2 * 12/2005 Yamada et al. 173/217
2001/0040036 A1 * 11/2001 Habedank et al. 173/217
2002/0017548 A1 * 2/2002 Jalbert et al. 227/136
2003/0094294 A1 * 5/2003 Fritz 173/217
2004/0231871 A1 * 11/2004 Arich et al. 173/217
2004/0251041 A1 * 12/2004 Grossman 173/217

FOREIGN PATENT DOCUMENTS

GB 2085824 S * 8/1999
GB 3015689 S * 12/2003

* cited by examiner

Primary Examiner—T. Chase Nelson

(74) *Attorney, Agent, or Firm*—Michael J. Striker

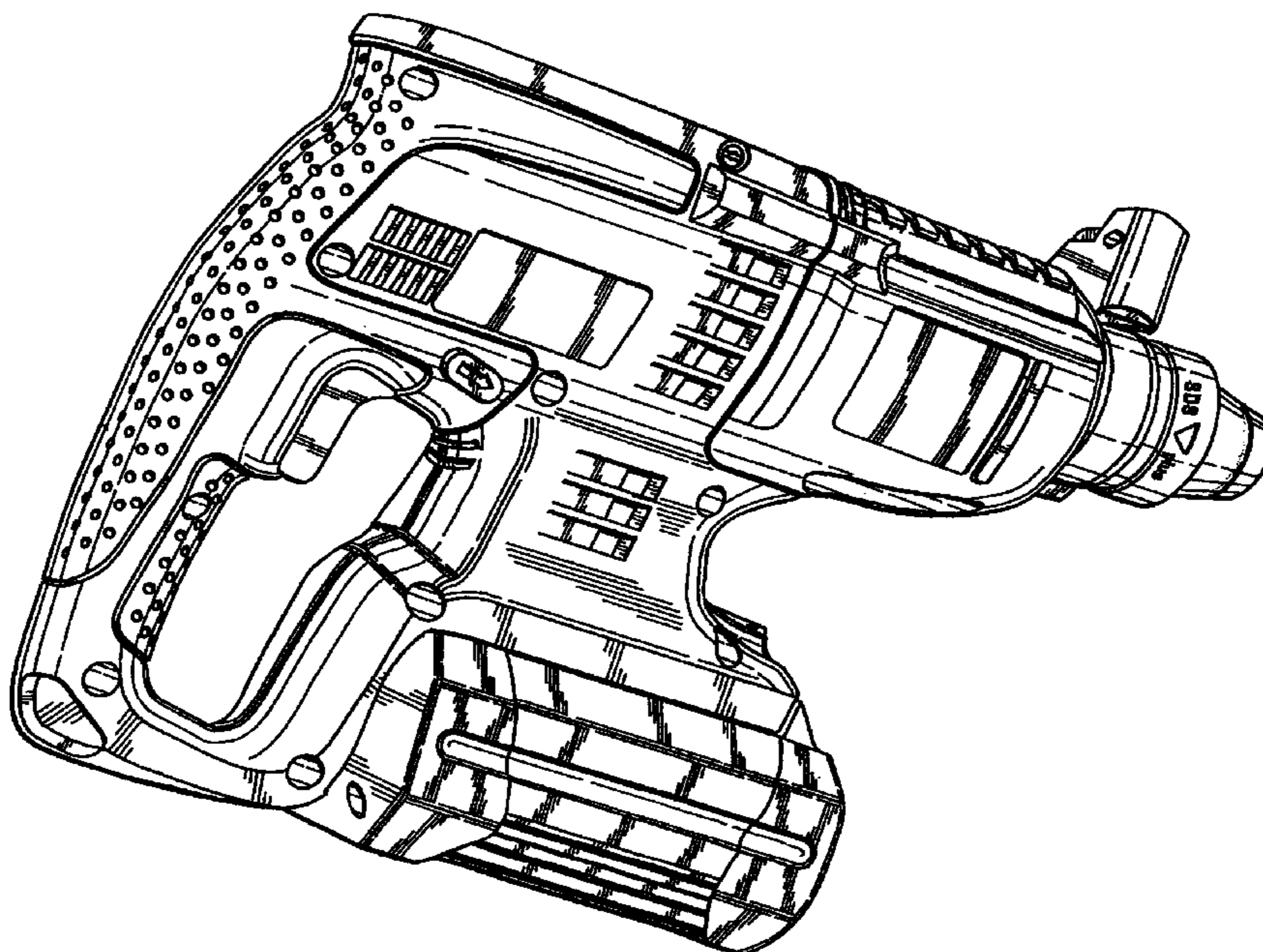
(57) **CLAIM**

The ornamental design for a rotary hammer, as shown and described.

DESCRIPTION

FIG. 1 is a side perspective view of a rotary hammer showing my new design;
FIG. 2 is a side view thereof;
FIG. 3 is a bottom view thereof;
FIG. 4 is the opposite site view of FIG. 2 thereof;
FIG. 5 is a top view thereof;
FIG. 6 is a front view thereof; and,
FIG. 7 is a rear view thereof.

1 Claim, 7 Drawing Sheets



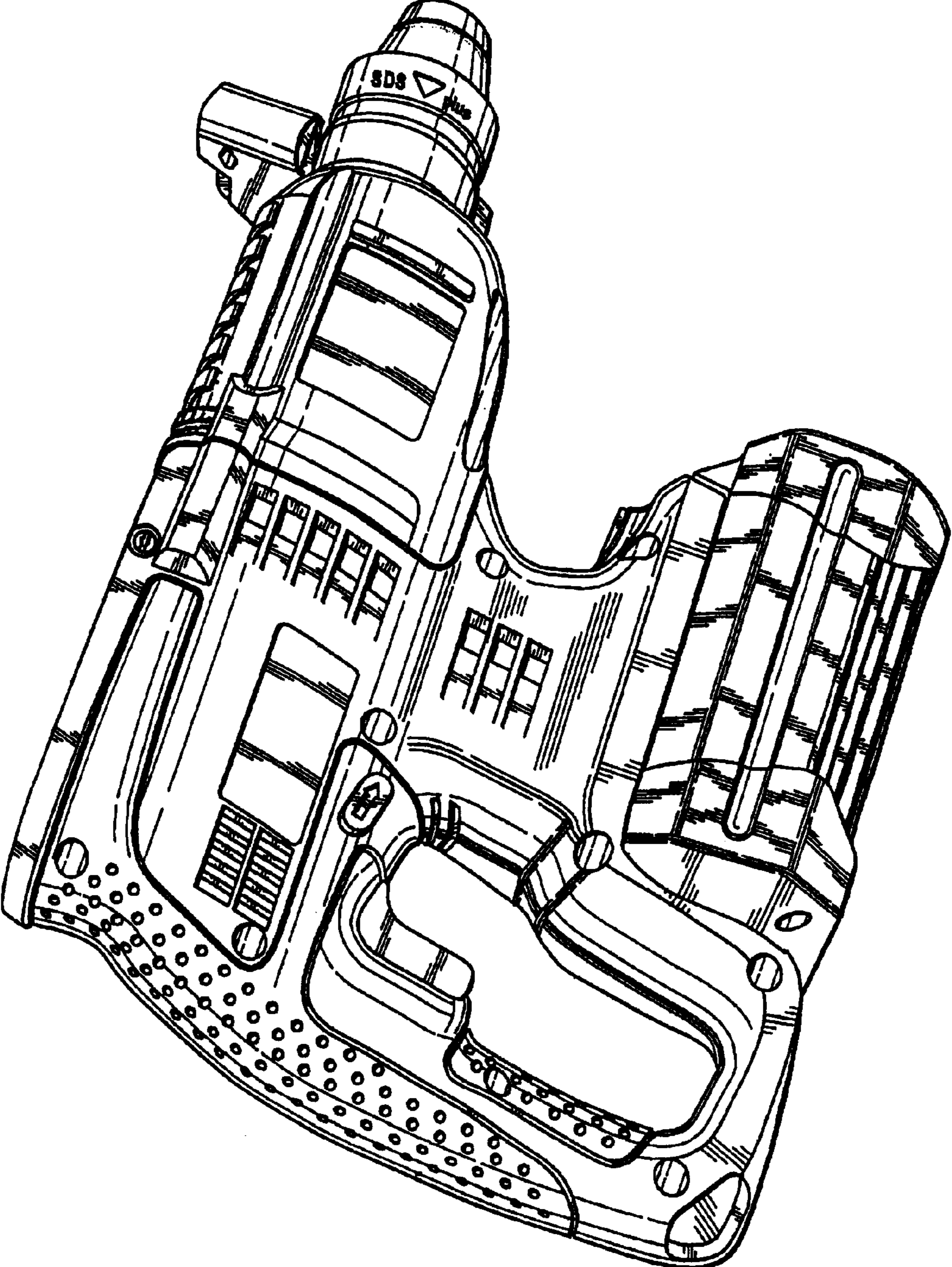


Fig. 1

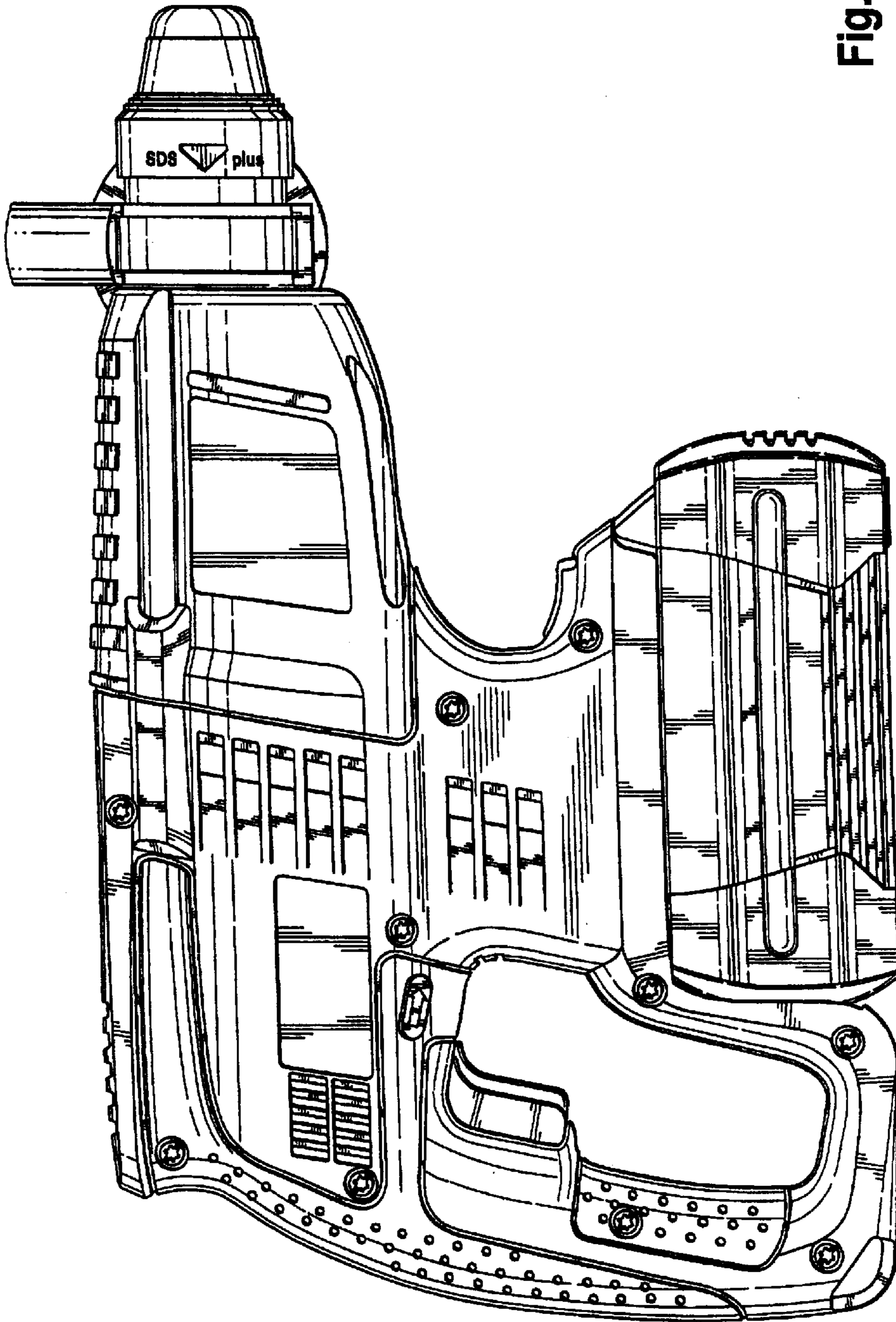


Fig. 2

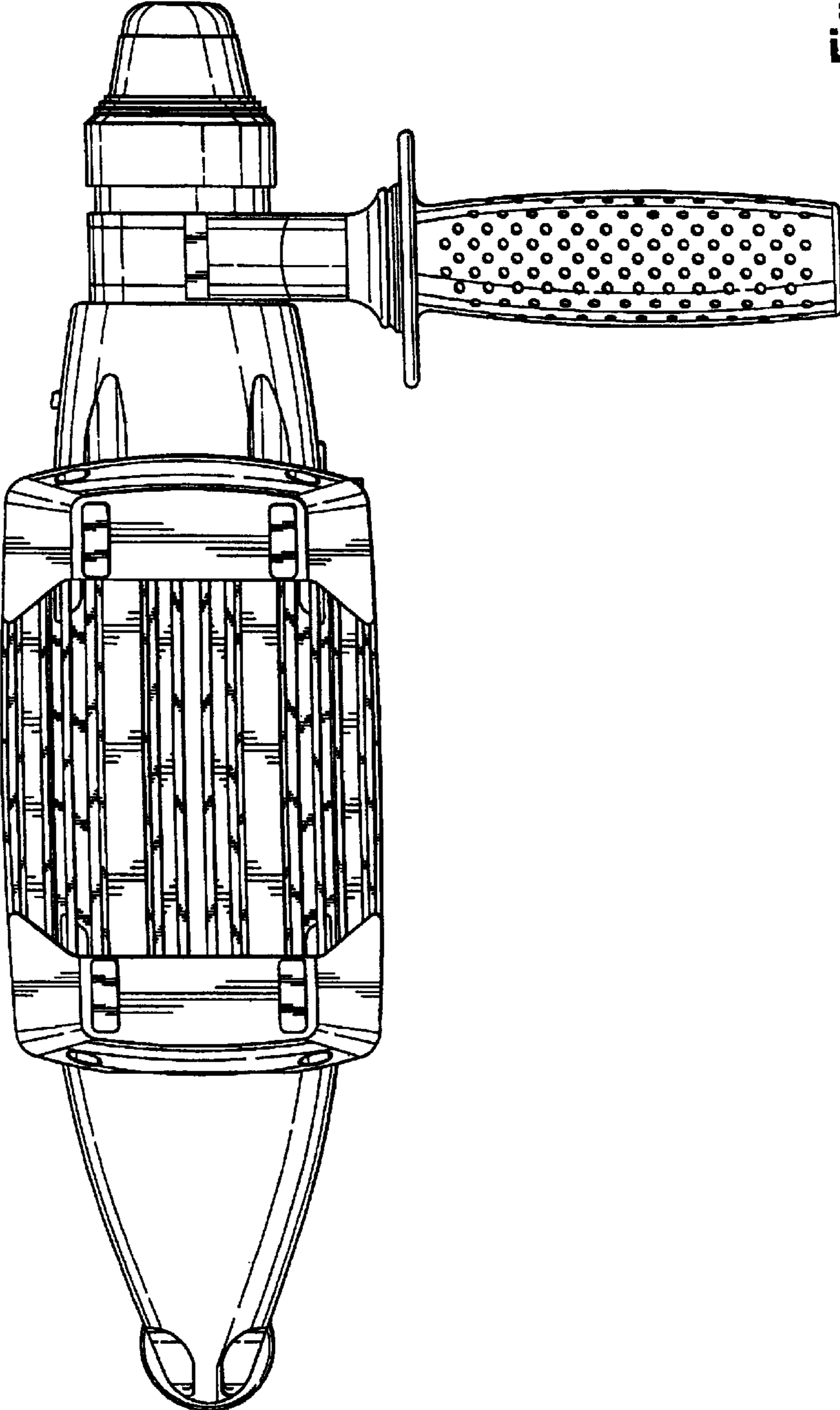


Fig. 3

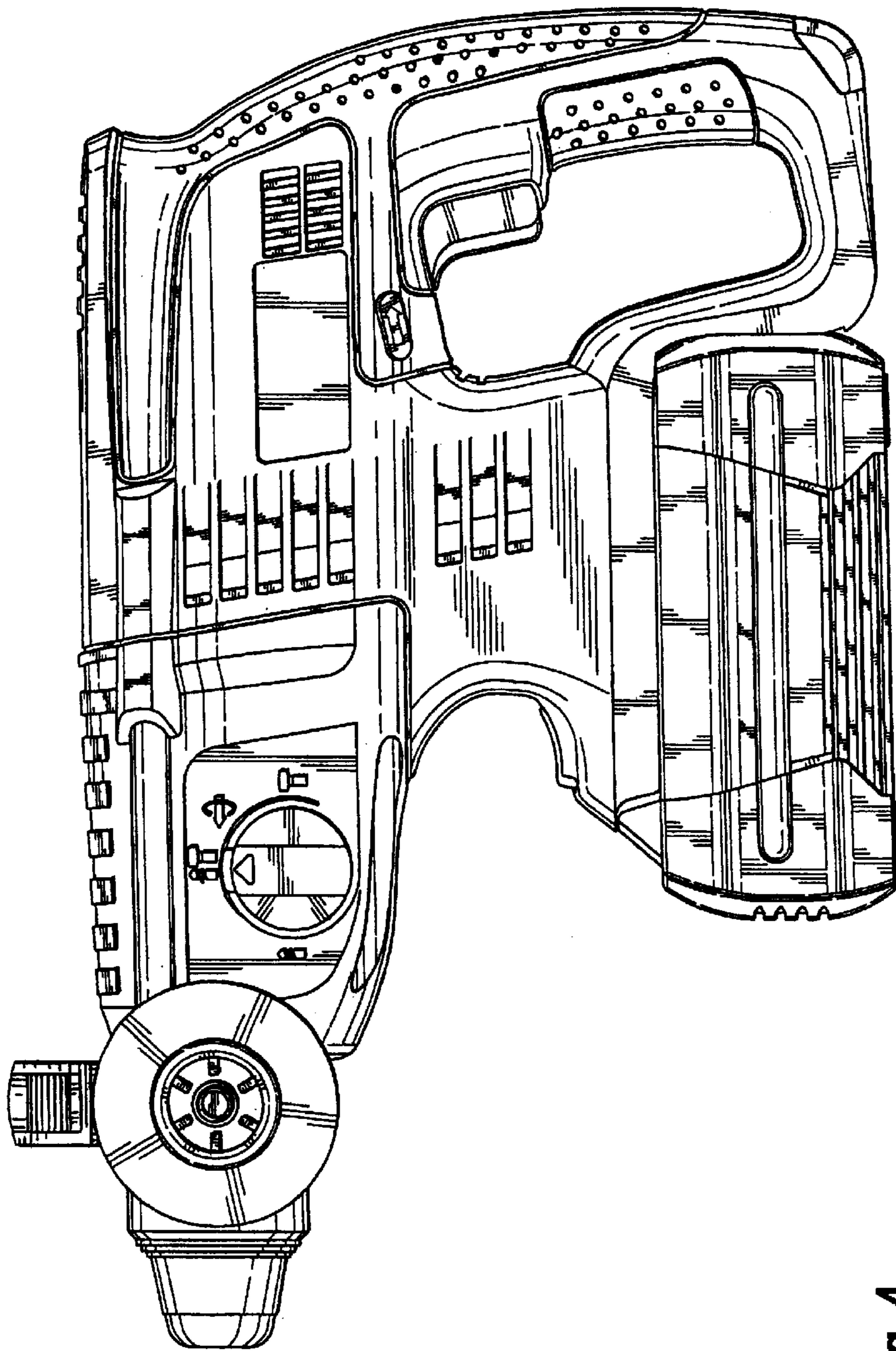


Fig. 4

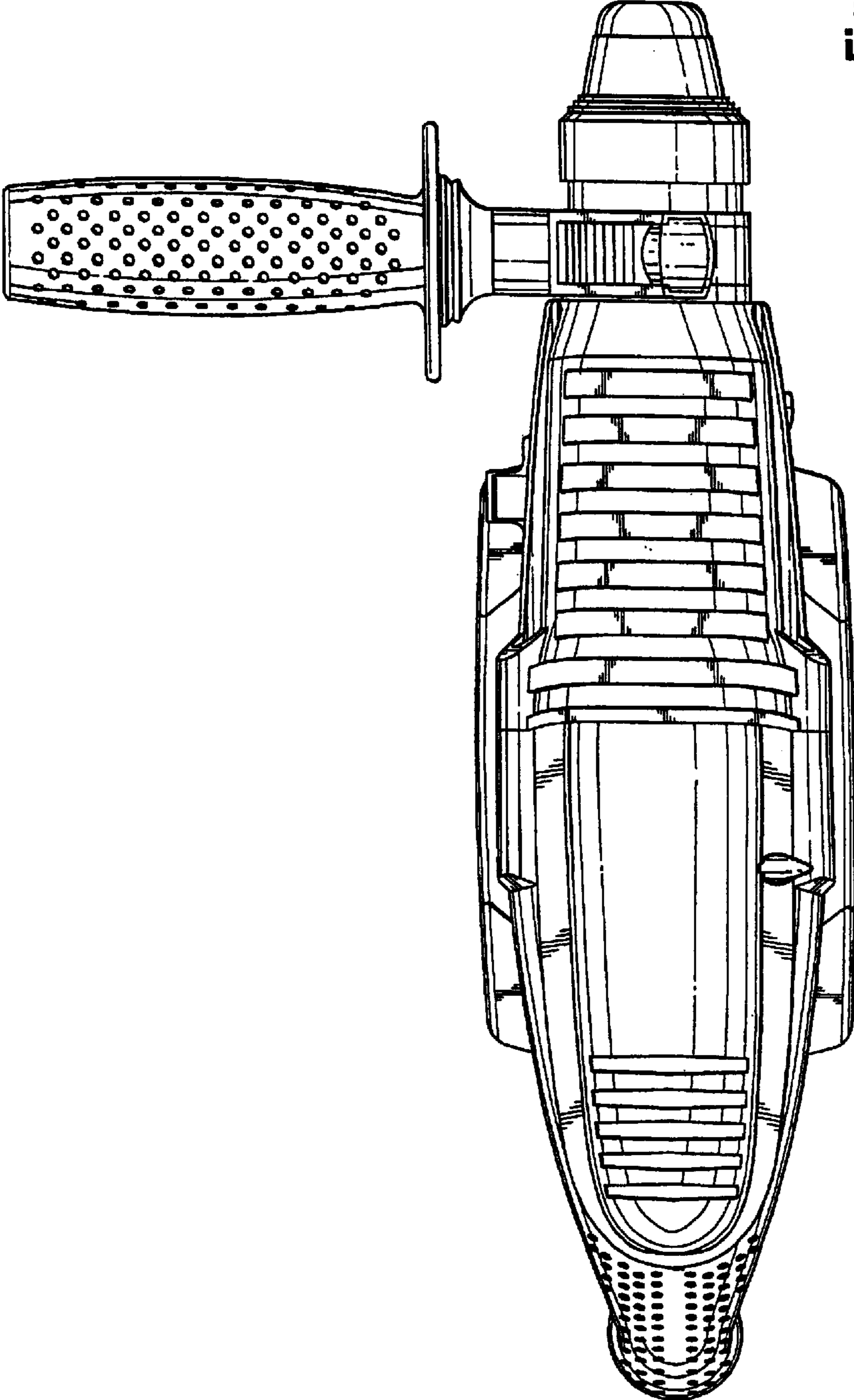


Fig. 5

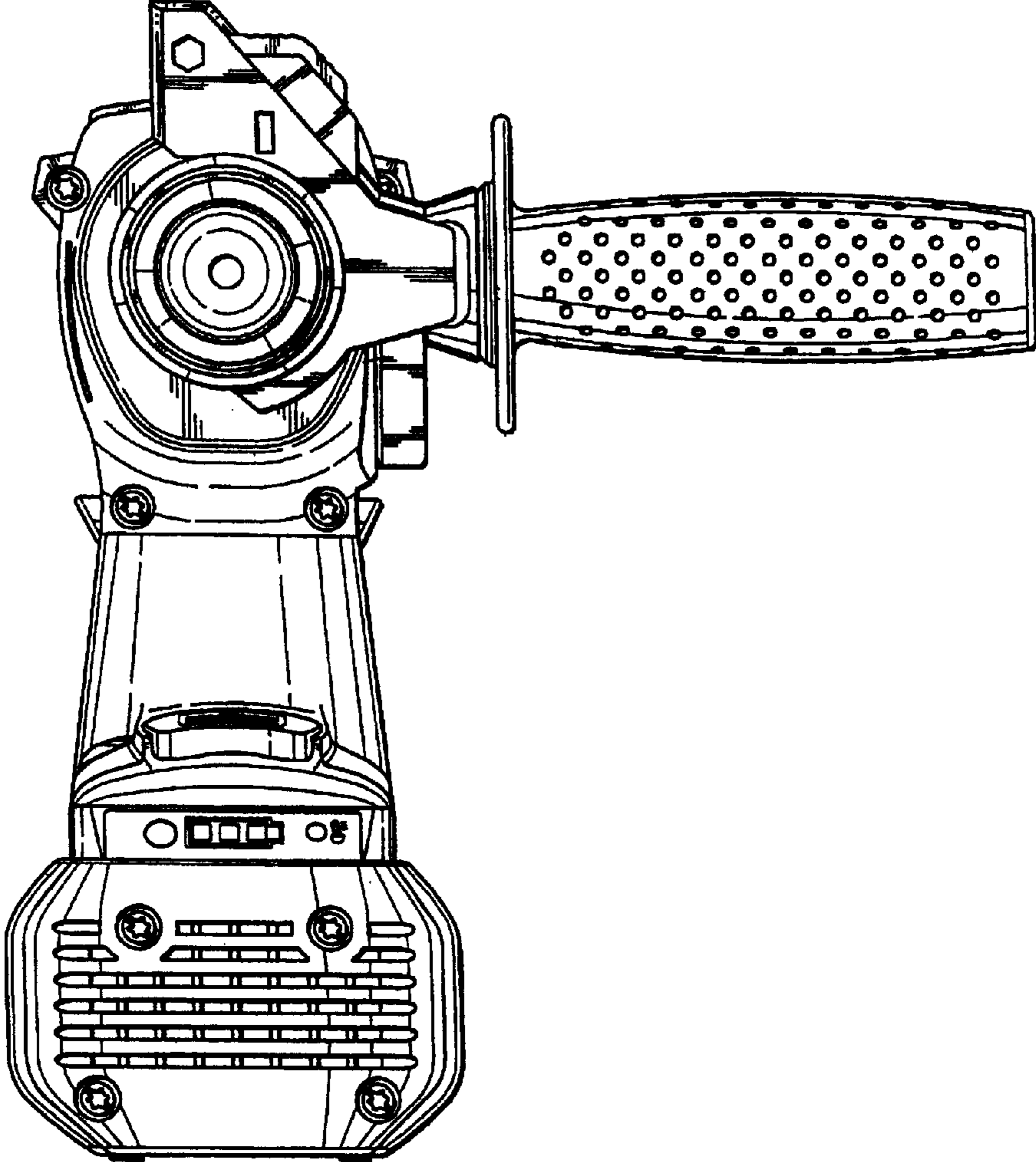


Fig. 6

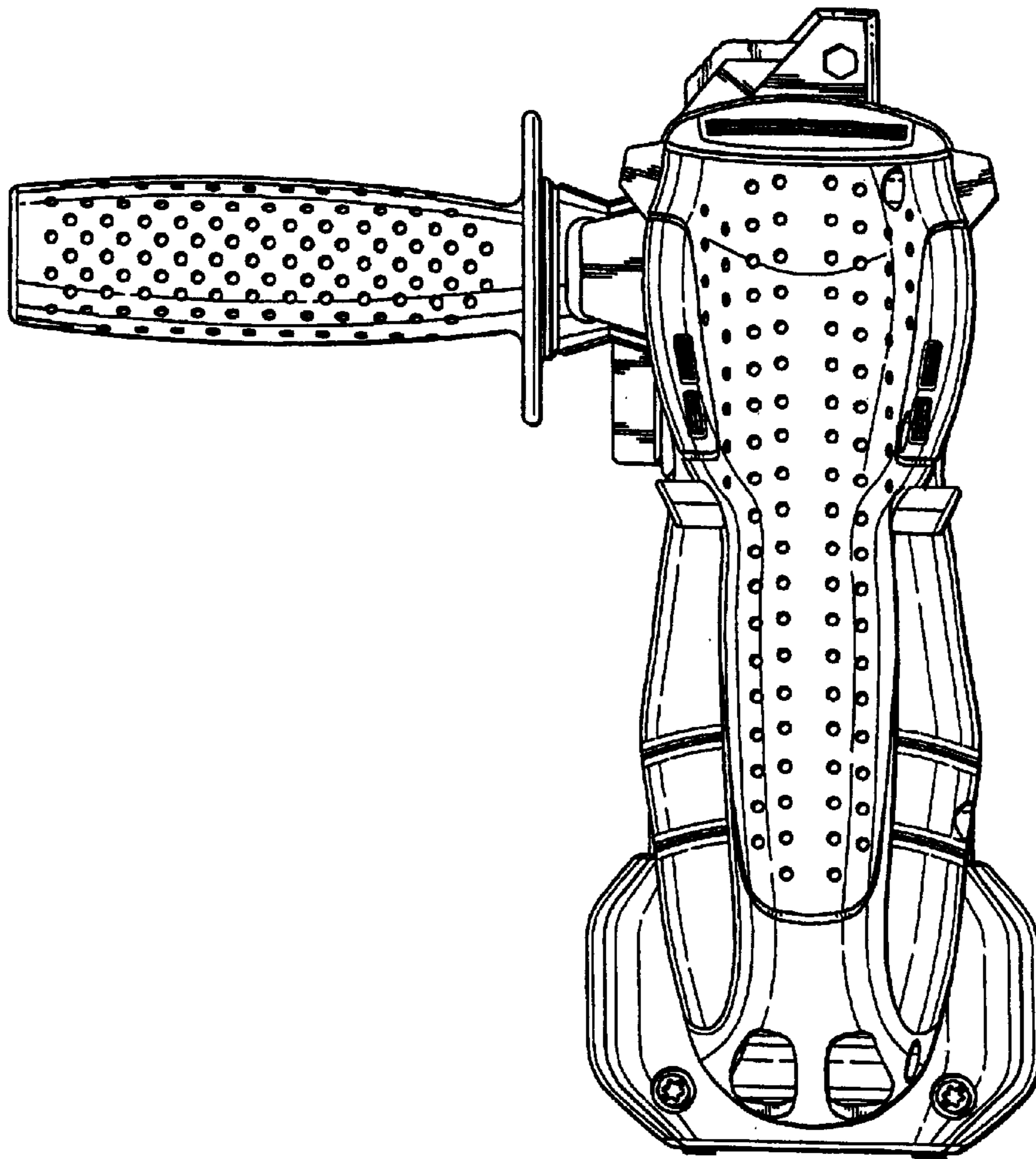


Fig. 7