

US00D535535S

(12) **United States Design Patent**
Baker

(10) **Patent No.:** **US D535,535 S**

(45) **Date of Patent:** **** Jan. 23, 2007**

(54) **PNEUMATIC RATCHET WRENCH**

(75) Inventor: **David J. Baker**, Fort Lawn, SC (US)

(73) Assignee: **Chicago Pneumatic Tool Company**,
Rock Hill, SC (US)

(**) Term: **14 Years**

(21) Appl. No.: **29/226,694**

(22) Filed: **Mar. 31, 2005**

(51) **LOC (8) Cl.** **08-05**

(52) **U.S. Cl.** **D8/25**

(58) **Field of Classification Search** D8/17,
D8/21-29, 59-62, 64, 67, 68, 82; 81/54,
81/57, 57.11, 57.13, 57.14, 57.42, 57.29,
81/57.39, 58, 60-63.2, 177.1, 177.4, 177.6,
81/177.8, 177.85, 177.9, 469, 474; 173/169,
173/170, 182, 217

See application file for complete search history.

(56) **References Cited**

U.S. PATENT DOCUMENTS

D265,962 S	*	8/1982	Izumisawa	D8/25
D278,407 S	*	4/1985	Fleischer, Jr.	D8/61
D334,124 S	*	3/1993	Izumisawa	D8/61
D334,125 S	*	3/1993	Izumisawa	D8/61
D380,949 S	*	7/1997	Sung	D8/61

D395,386 S	*	6/1998	Giardino	D8/61
5,784,934 A	*	7/1998	Izumisawa	81/57.26
D408,243 S	*	4/1999	Izumisawa	D8/61
D435,204 S	*	12/2000	Izumisawa	D8/61
D484,016 S	*	12/2003	Baker	D8/61
D491,032 S	*	6/2004	Baker	D8/61
D497,785 S	*	11/2004	Izumisawa	D8/25

* cited by examiner

Primary Examiner—Raphael Barkai

Assistant Examiner—Randall H. Gholson

(74) *Attorney, Agent, or Firm*—Schmeiser, Olsen & Watts

(57) **CLAIM**

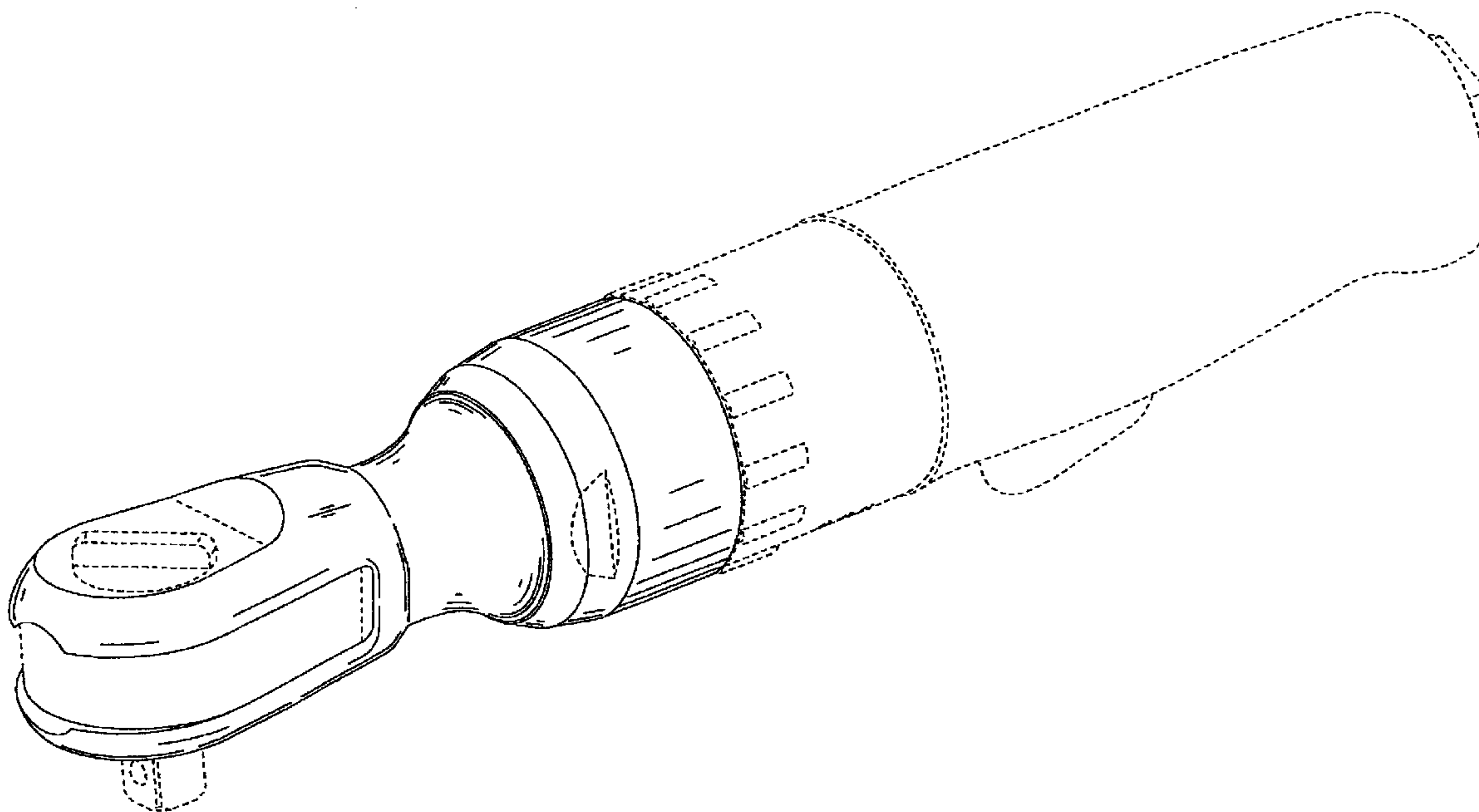
The ornamental design for a pneumatic ratchet wrench, as shown and described.

DESCRIPTION

FIG. 1 is a right side front perspective view showing our design for a pneumatic ratchet wrench;
FIG. 2 is a top plan view thereof;
FIG. 3 is a side view thereof;
FIG. 4 is a rear view thereof;
FIG. 5 is a front view thereof; and,
FIG. 6 is a bottom plan view thereof.

The broken line showing of a pneumatic ratchet wrench handle and portions of a ratchet wrench head is for illustrative purposes only and forms no part of the claimed design.

1 Claim, 5 Drawing Sheets



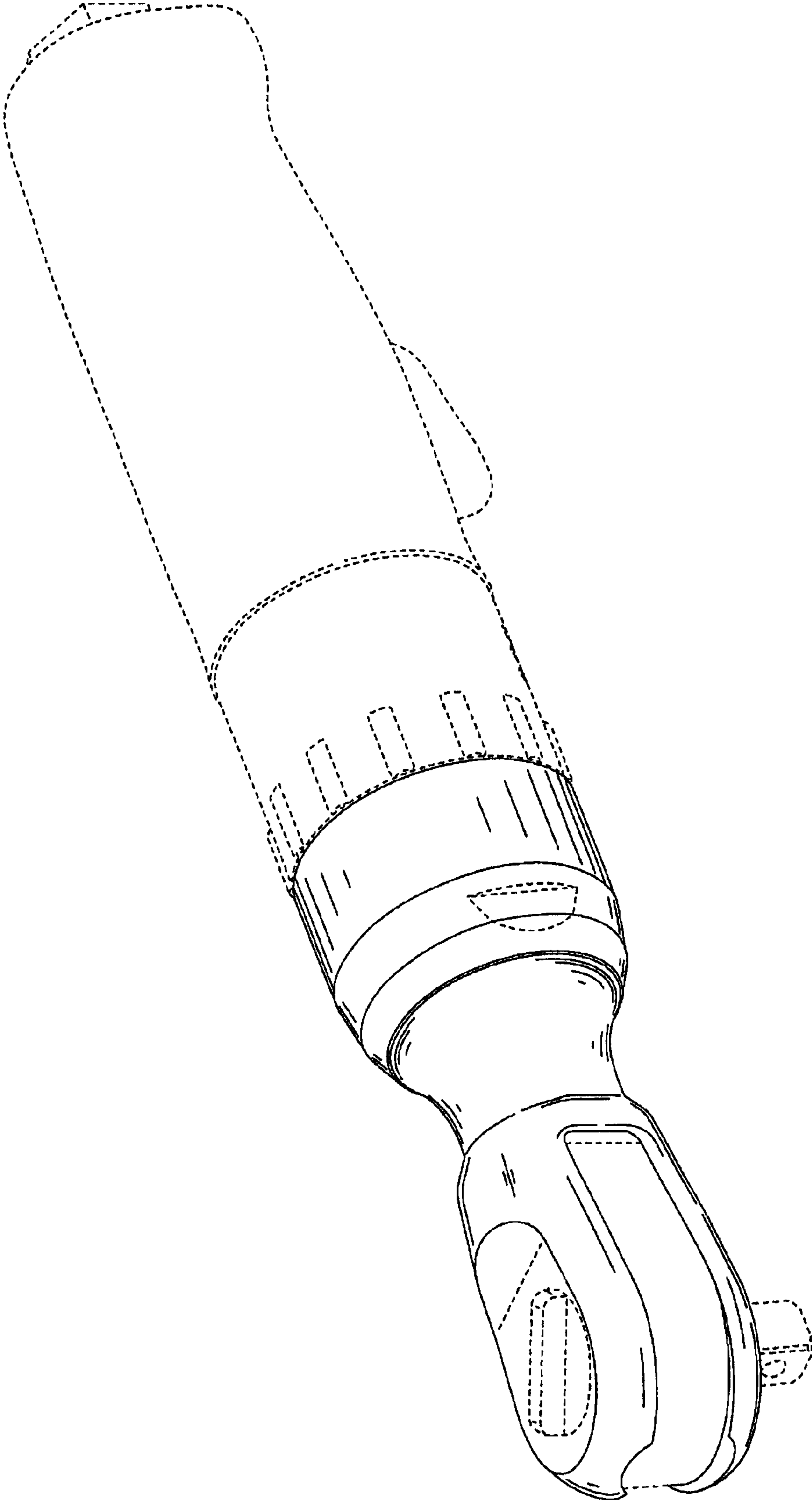


FIG. 1

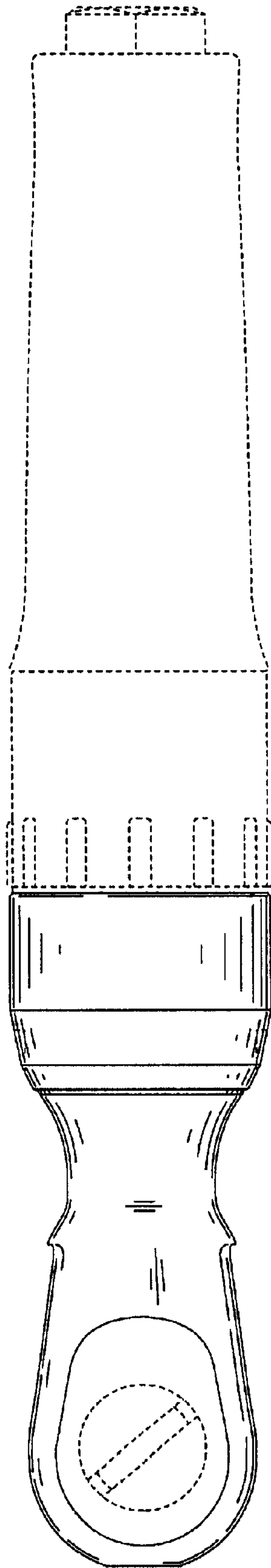


FIG. 2

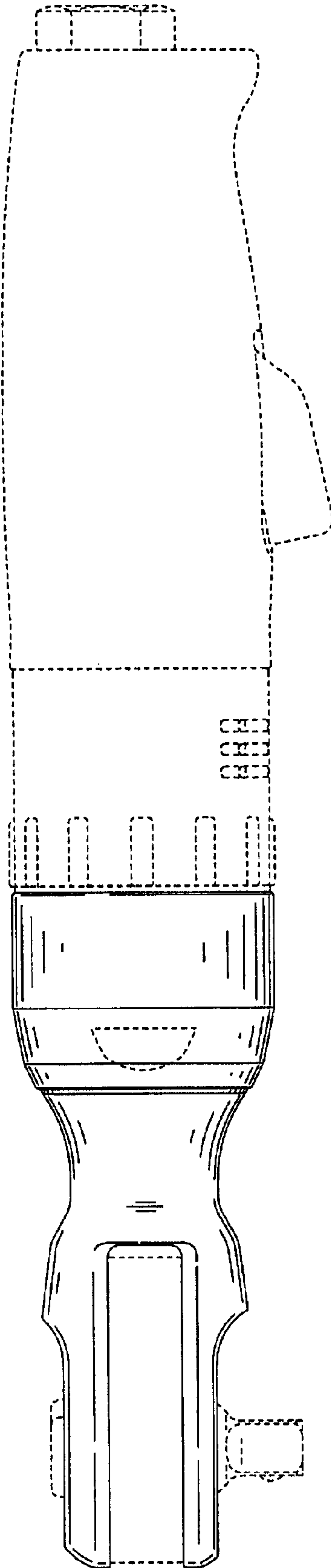


FIG. 3

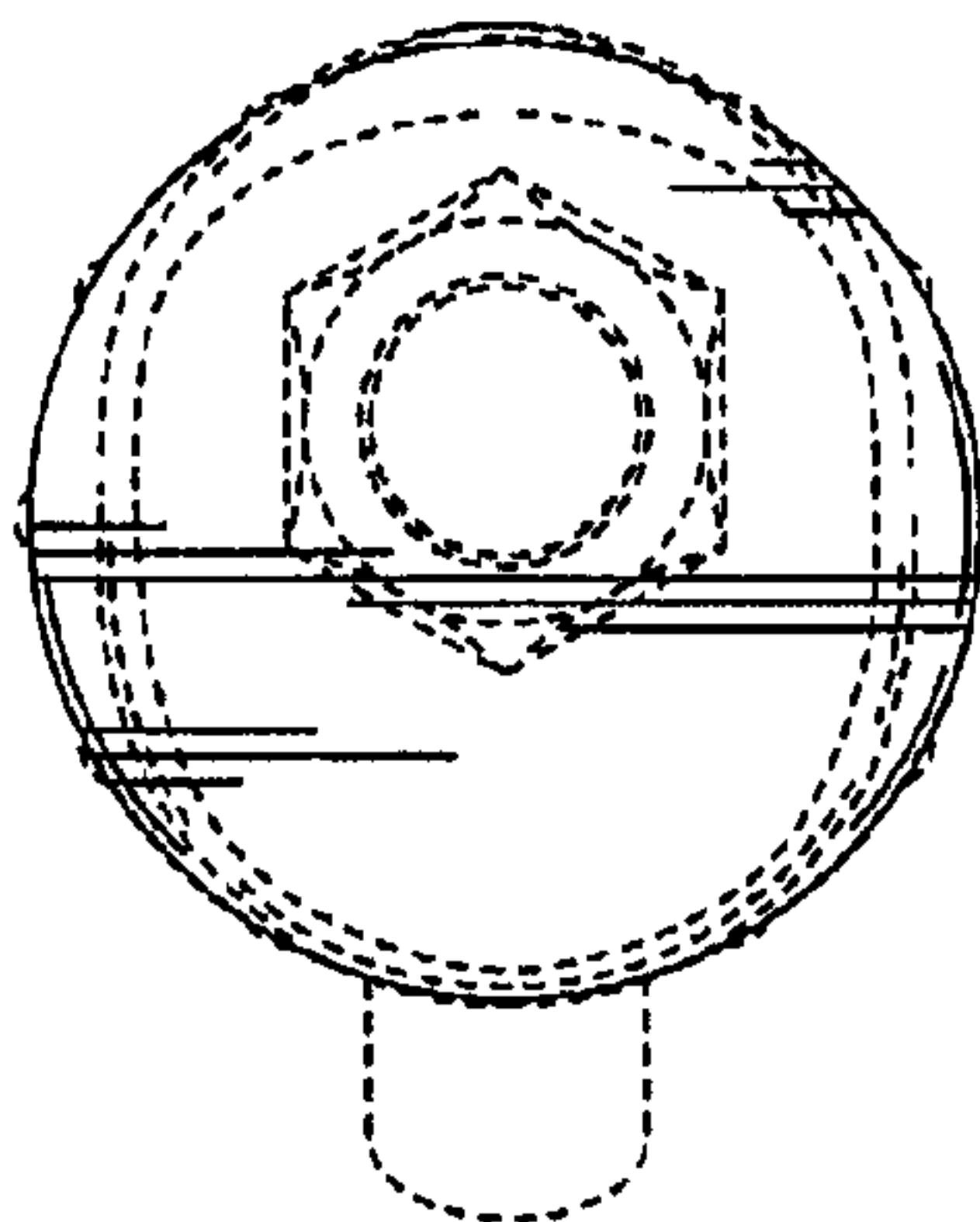


FIG. 4

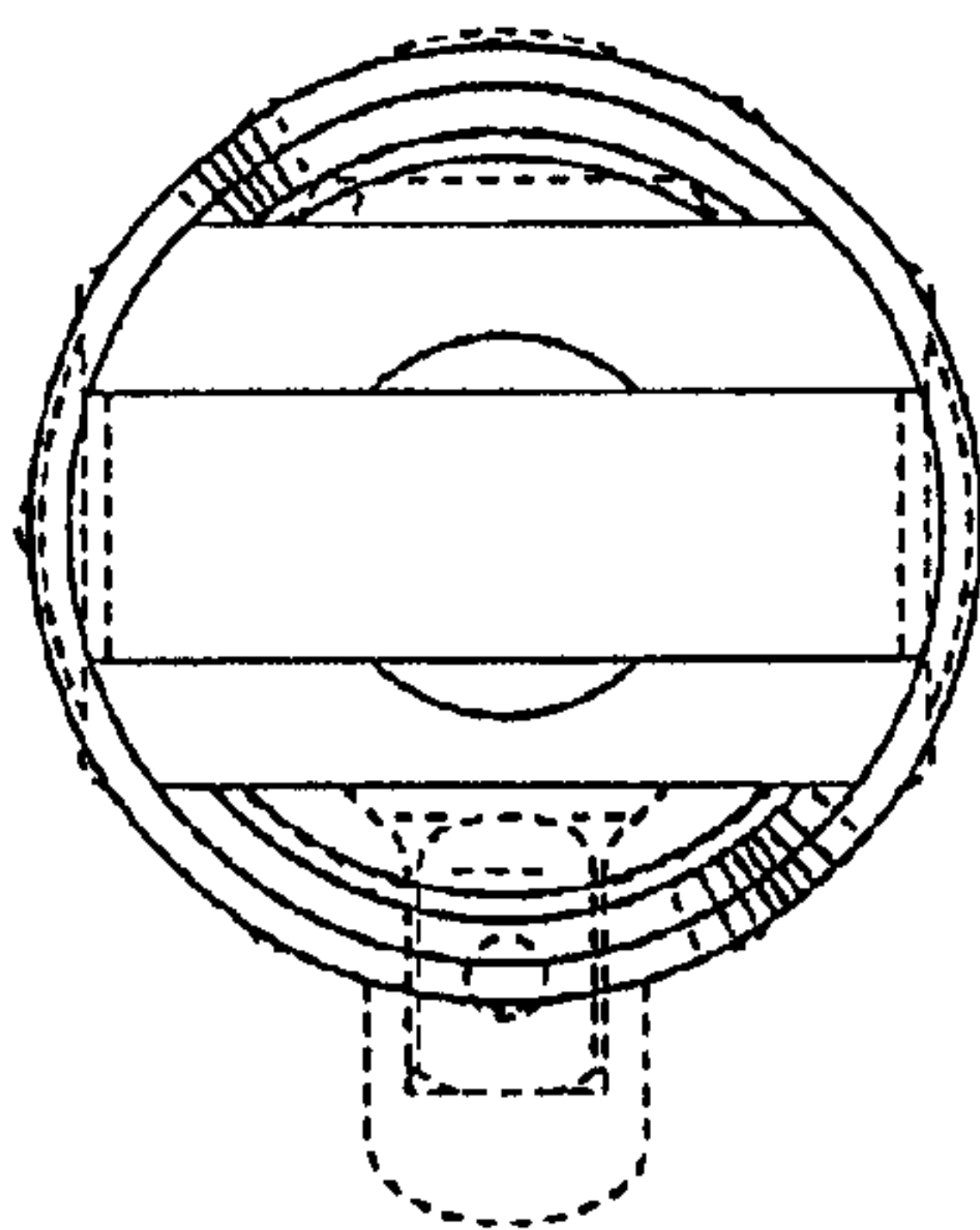


FIG. 5

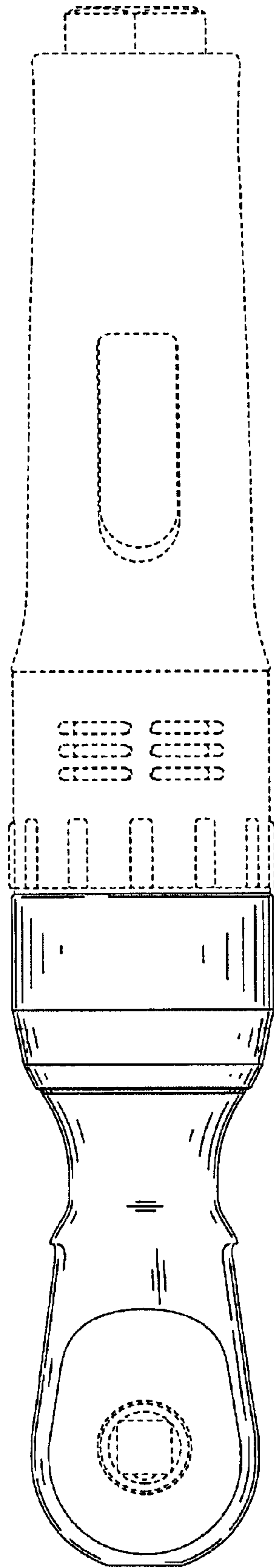


FIG. 6