



US00D535534S

(12) **United States Design Patent**
Wong

(10) **Patent No.:** **US D535,534 S**

(45) **Date of Patent:** **** Jan. 23, 2007**

(54) **DOUBLE BLADE PEELER**

(76) Inventor: **Yan Kwong Wong**, Rm 1016-17, Metro Centre II 21 Lam Hing Street, Kowloon Bay, Kowloon (HK)

(**) Term: **14 Years**

(21) Appl. No.: **29/240,947**

(22) Filed: **Oct. 20, 2005**

(30) **Foreign Application Priority Data**

Apr. 25, 2005 (CN) 2005300161293

(51) **LOC (8) Cl.** **07-04**

(52) **U.S. Cl.** **D7/693**

(58) **Field of Classification Search** D7/669,
D7/368, 693, 672, 673; 99/537-541, 584,
99/588-599; 83/882, 455

See application file for complete search history.

(56) **References Cited**

U.S. PATENT DOCUMENTS

1,256,751 A * 2/1918 Wenzel 99/598
2,483,930 A * 10/1949 Pauls 83/882

4,137,839 A * 2/1979 Couture et al. 99/541
D254,590 S * 4/1980 Doyel D7/381
5,957,045 A * 9/1999 He et al. 99/541
D465,137 S * 11/2002 Wong D7/693
6,854,383 B1 * 2/2005 Wang 99/542

* cited by examiner

Primary Examiner—Terry A. Wallace

(74) *Attorney, Agent, or Firm*—Law Office of Sergi Orel, LLC

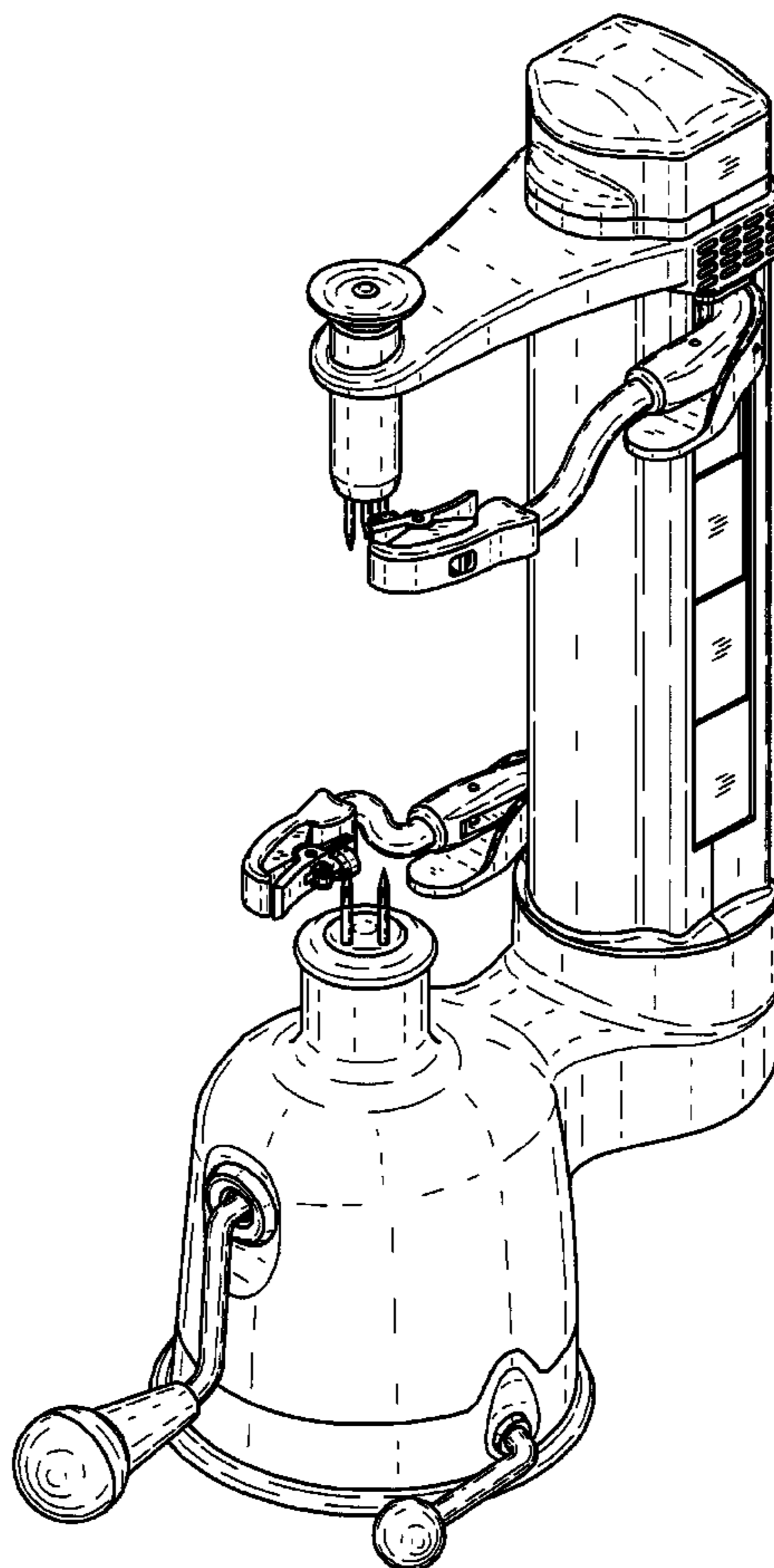
(57) **CLAIM**

The ornamental design for a double blade peeler, as shown and described.

DESCRIPTION

FIG. 1 Front view.
FIG. 2 Rear view.
FIG. 3 Side view.
FIG. 4 Opposite side view.
FIG. 5 Top plan view.
FIG. 6 Bottom plan view; and,
FIG. 7 Perspective view.

1 Claim, 4 Drawing Sheets



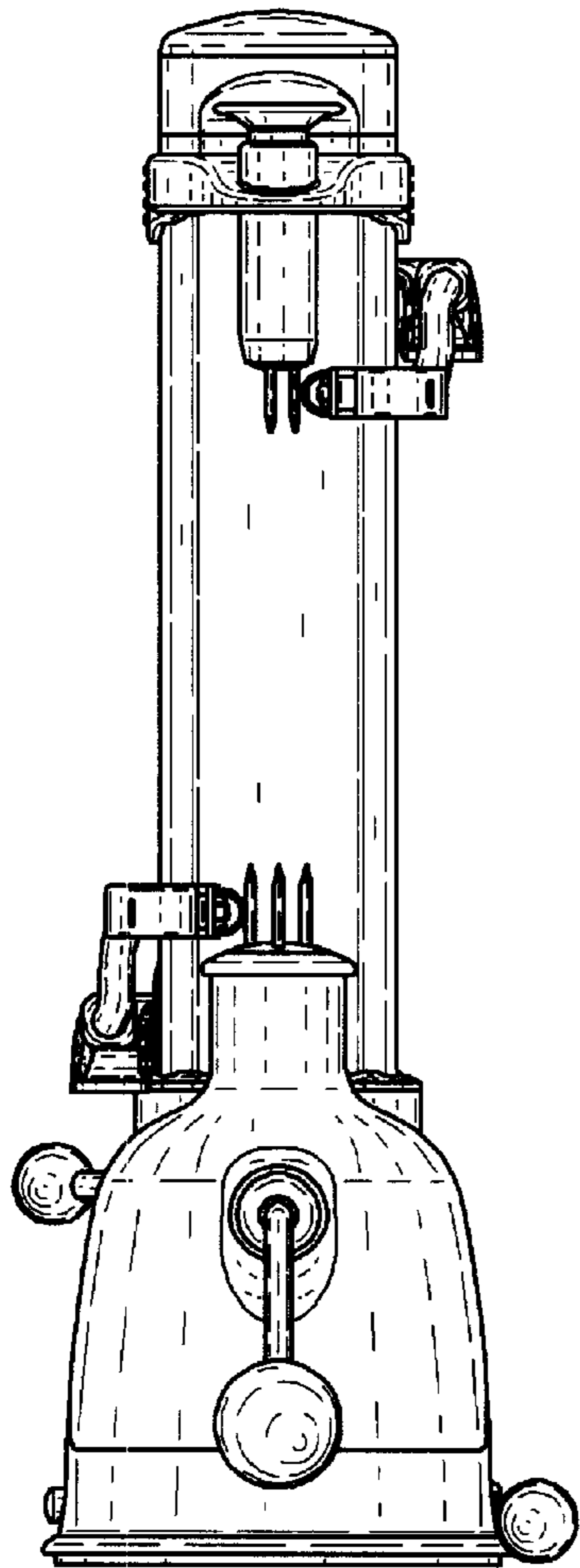


Fig.1

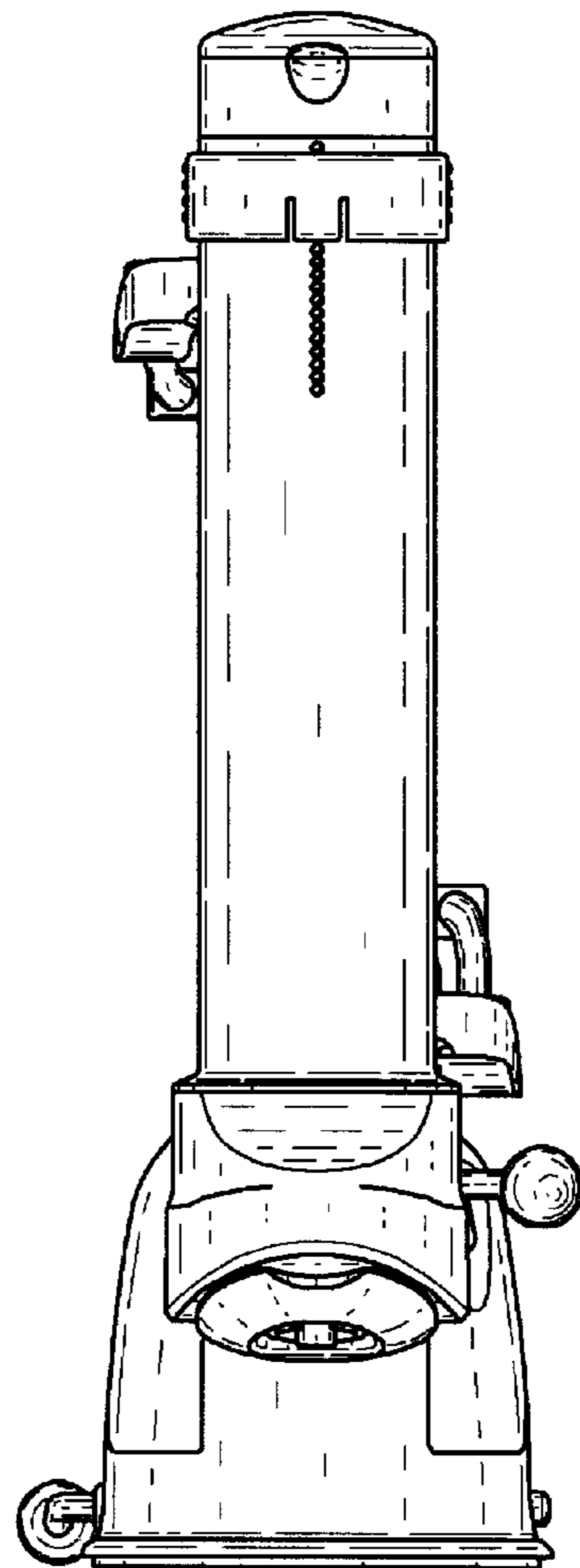


Fig.2

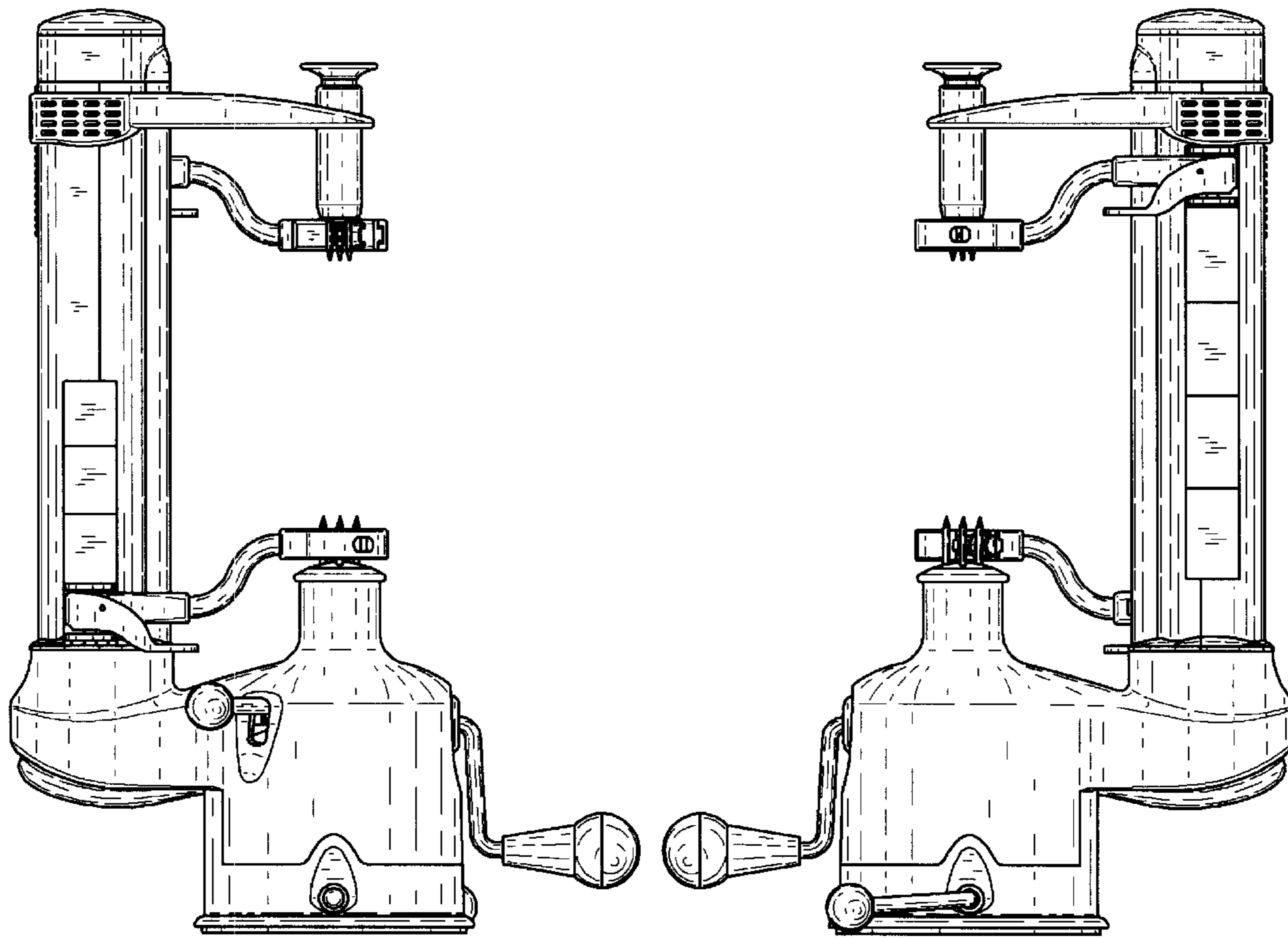


Fig.3

Fig.4

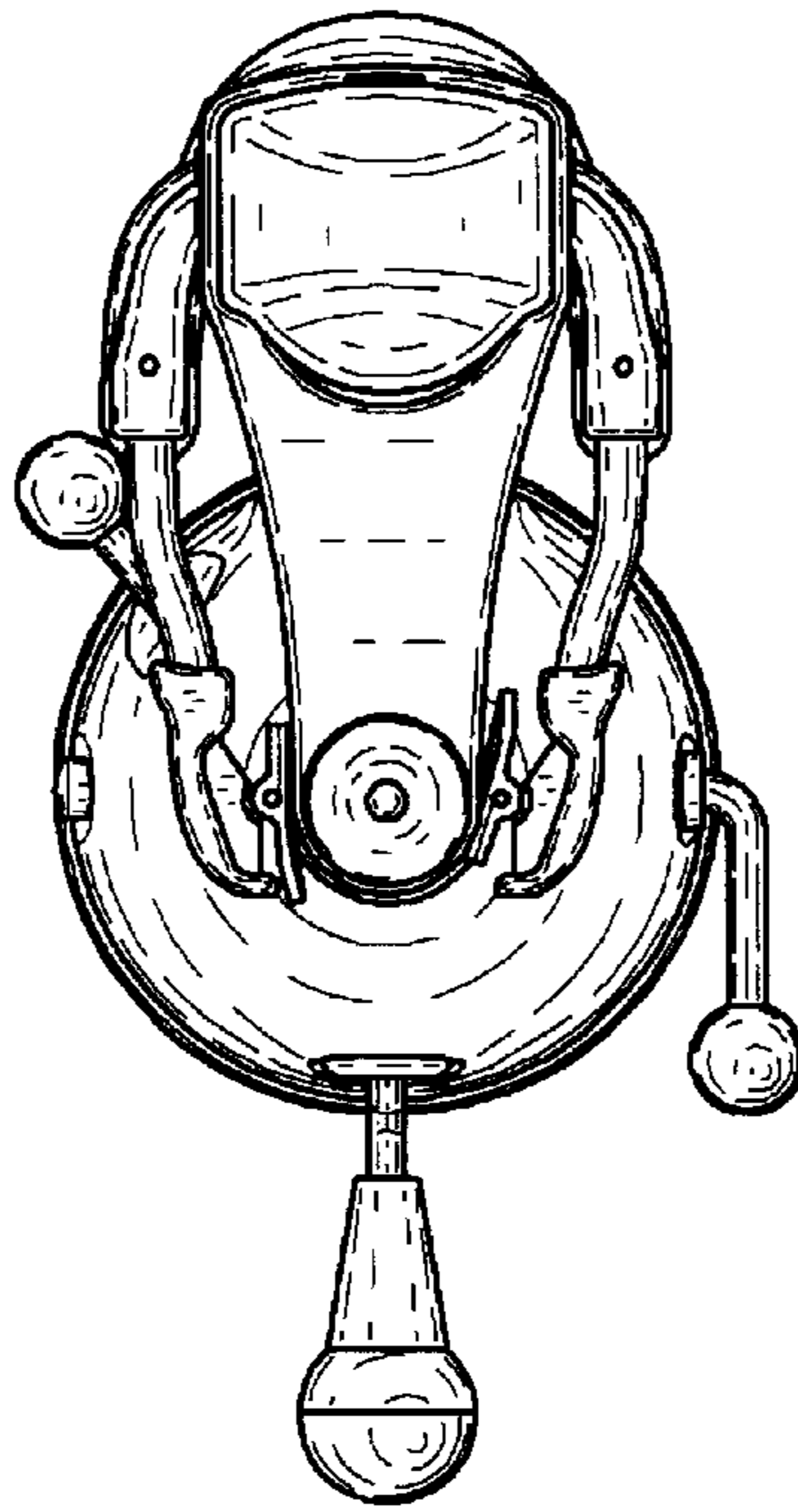


Fig.5

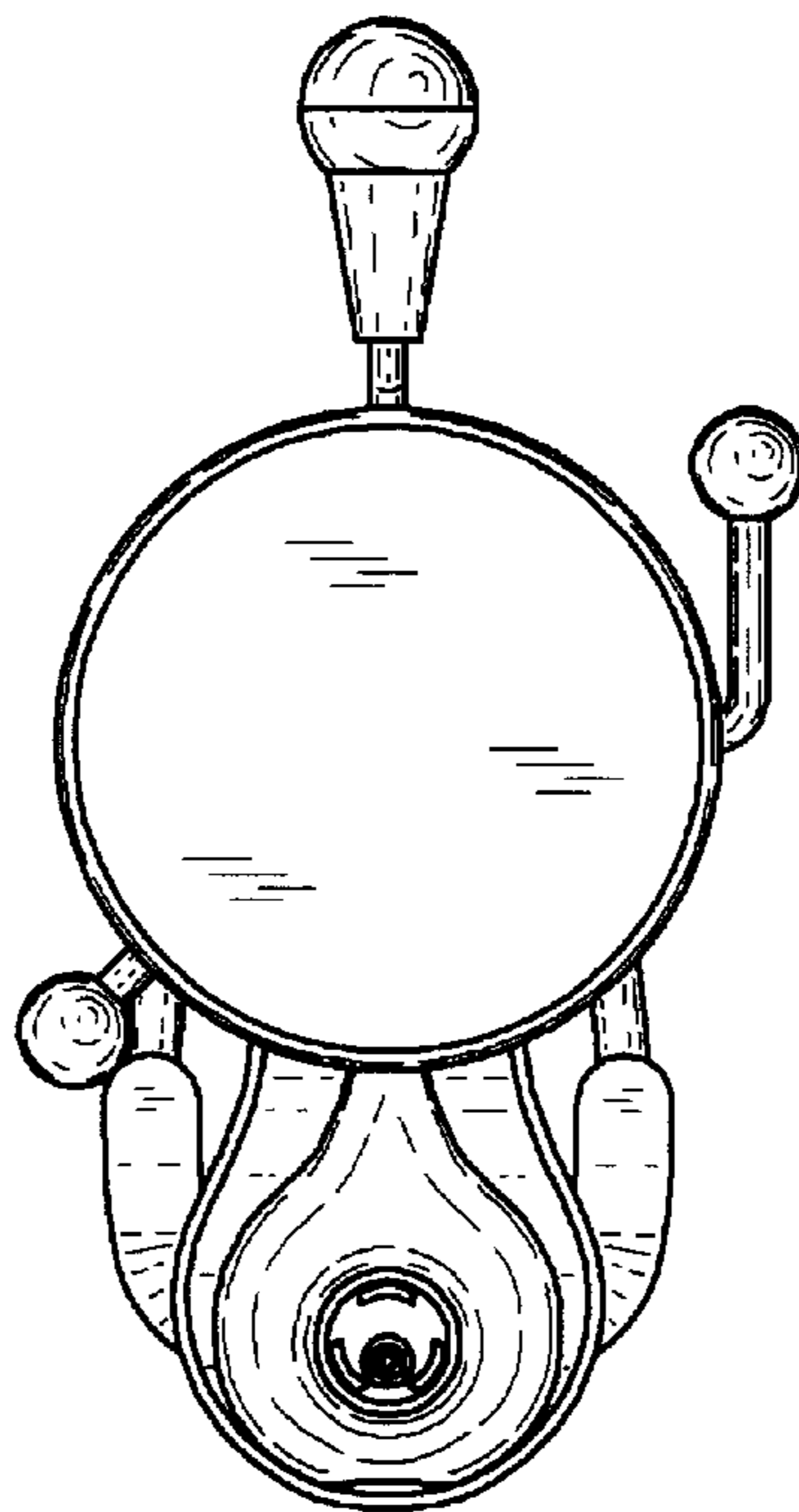


Fig.6

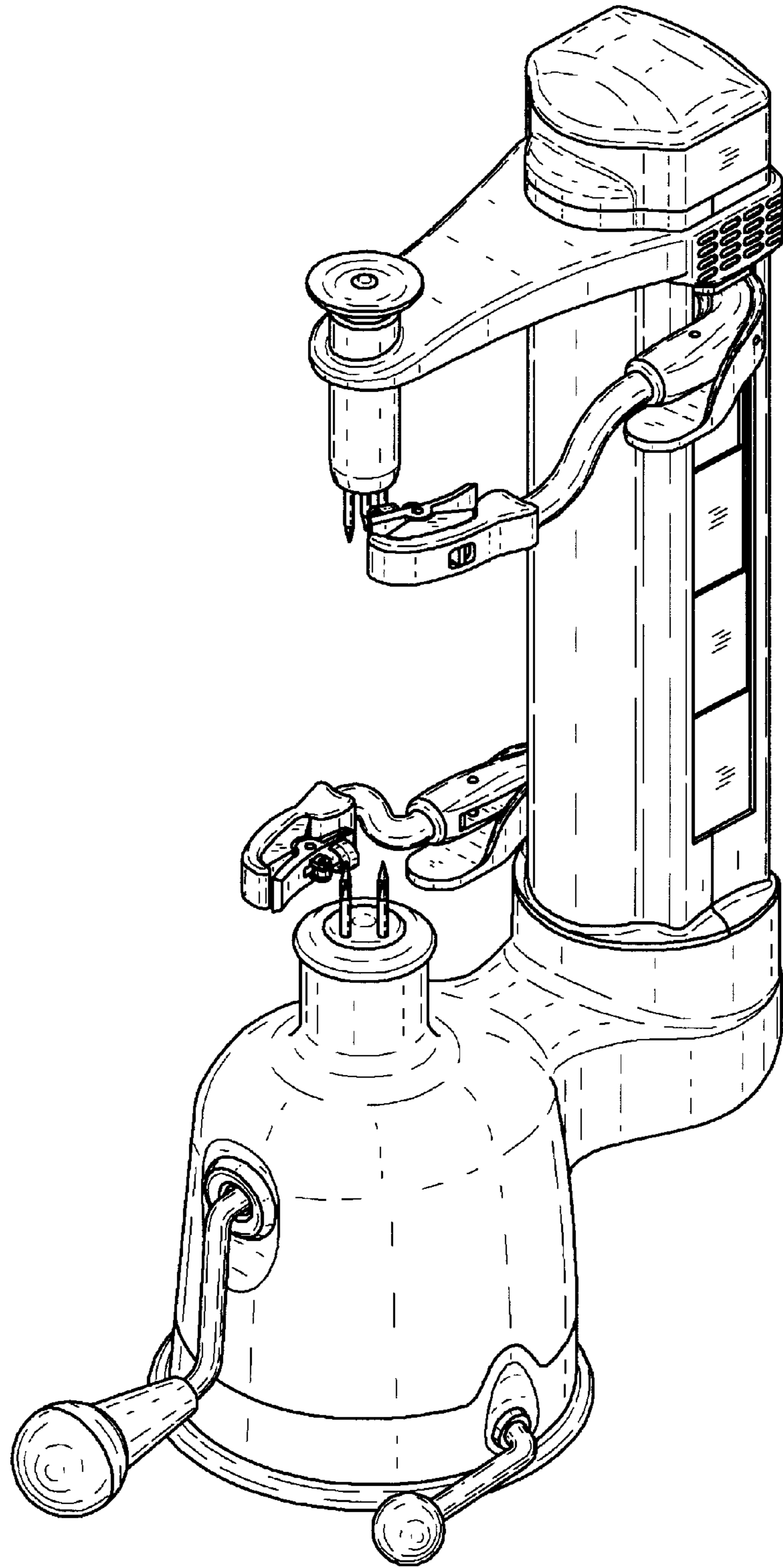


Fig.7