

US00D535531S

(12) **United States Design Patent**
Shane-Schuldt

(10) **Patent No.:** **US D535,531 S**
(45) **Date of Patent:** **** Jan. 23, 2007**

(54) **SPOON**

(75) **Inventor:** **Diane Shane-Schuldt**, Sherrill, NY (US)

(73) **Assignee:** **Oneida, Ltd.**, Oneida, NY (US)

(**) **Term:** **14 Years**

(21) **Appl. No.:** **29/209,629**

(22) **Filed:** **Jul. 19, 2004**

(51) **LOC (8) Cl.** **07-03**

(52) **U.S. Cl.** **D7/653**

(58) **Field of Classification Search** D7/368,
D7/401.2, 642-664, 688-692, 669, 675, 676,
D7/683; 30/137, 141, 142, 340, 147-150,
30/322-329, 342-345; 416/70 R
See application file for complete search history.

(56) **References Cited**

U.S. PATENT DOCUMENTS

D185,679 S	*	7/1959	Rector	D7/662
D378,181 S	*	2/1997	Richmond	D7/653
D431,758 S	*	10/2000	Junko	D7/653
D448,255 S	*	9/2001	Shane-Schuldt	D7/653
D463,956 S	*	10/2002	Richmond	D7/653

D484,369 S	*	12/2003	Ito	D7/653
D489,581 S	*	5/2004	Shane-Schuldt	D7/653
D489,942 S	*	5/2004	Shane-Schuldt	D7/653
D490,662 S	*	6/2004	Shane-Schuldt	D7/653
D497,084 S	*	10/2004	Shane-Schuldt	D7/662
D510,504 S	*	10/2005	Shane-Schuldt	D7/653
D511,656 S	*	11/2005	Shane-Schuldt	D7/653
D512,280 S	*	12/2005	Ito	D7/664

* cited by examiner

Primary Examiner—Cathron C. Brooks

Assistant Examiner—Ricky Pham

(74) *Attorney, Agent, or Firm*—Peter J. Bilinski

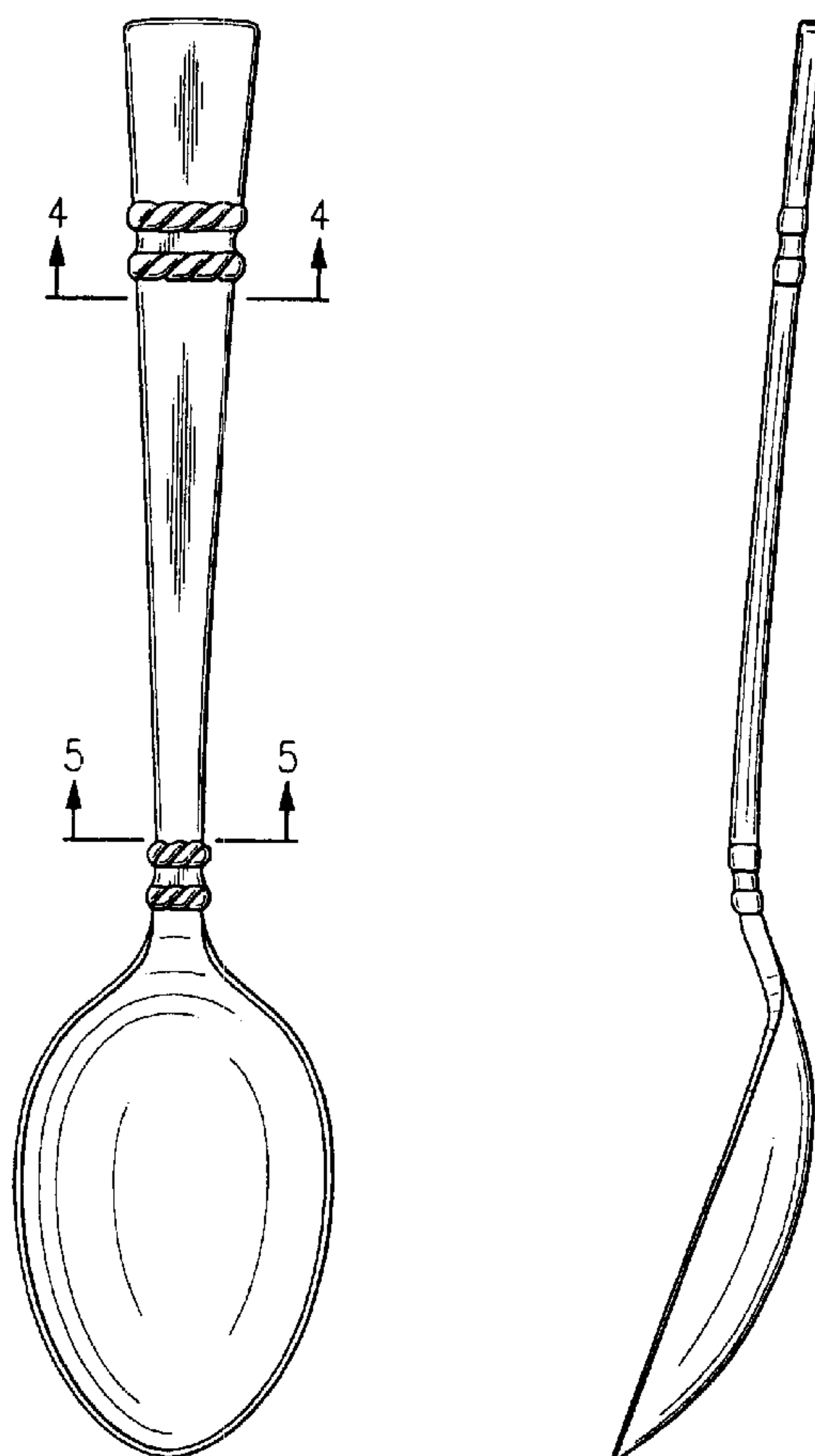
(57) **CLAIM**

The ornamental design for a spoon, as shown and described.

DESCRIPTION

FIG. 1 is a top view of a spoon, illustrating my new Design; FIG. 2 is a left side view thereof, the right side view being a mirror image thereof; FIG. 3 is a bottom view thereof; FIG. 4 is a cross-sectional view taken through line 4—4 of FIG. 1; and, FIG. 5 is a cross-sectional view taken through line 5—5 of FIG. 1.

1 Claim, 1 Drawing Sheet



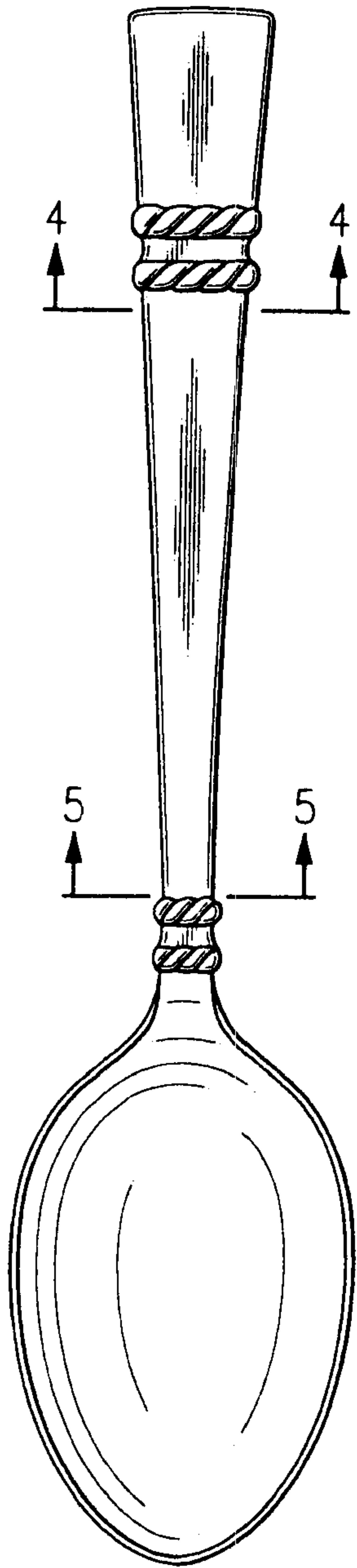


FIG. 1

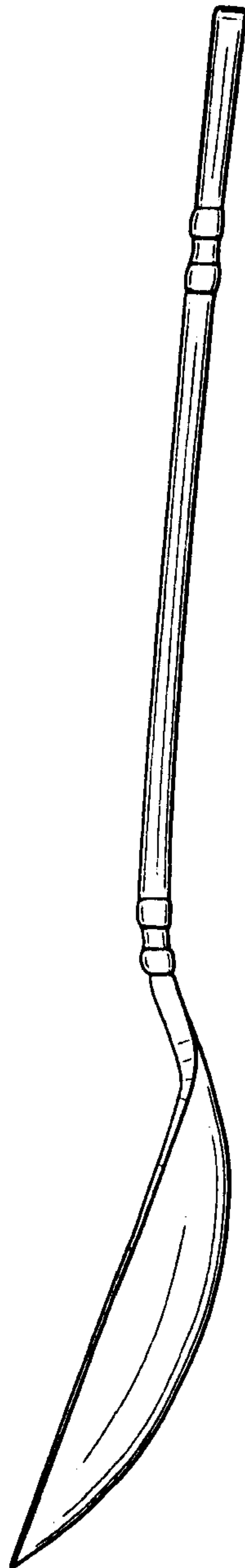


FIG. 2

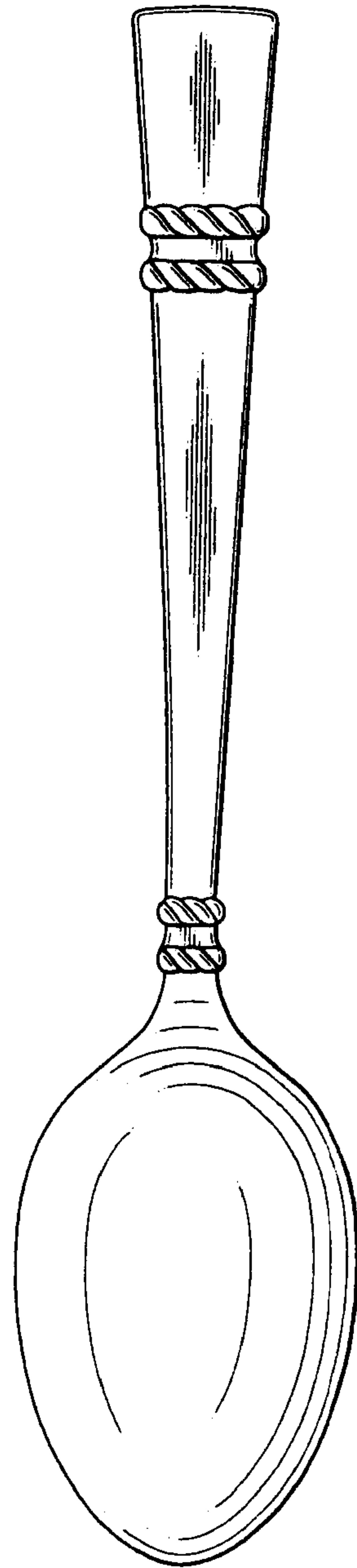


FIG. 3



FIG. 4



FIG. 5