



US00D535530S

(12) **United States Design Patent**
Clement

(10) **Patent No.:** **US D535,530 S**

(45) **Date of Patent:** **** Jan. 23, 2007**

(54) **COFFEE CONTAINER**

(76) Inventor: **Cameron Clement**, 1121 Adelaide Ave., Fort Smith, AR (US) 72901

(**) Term: **14 Years**

(21) Appl. No.: **29/242,622**

(22) Filed: **Nov. 10, 2005**

(51) **LOC (8) Cl.** **07-07**

(52) **U.S. Cl.** **D7/629**; D7/612

(58) **Field of Classification Search** D7/602,
D7/612-615, 629, 538-542; D9/561, 414,
D9/424-430, 572, 529, 516; 220/675, 780-805;
D3/201, 273

See application file for complete search history.

(56) **References Cited**

U.S. PATENT DOCUMENTS

D209,847 S	*	1/1968	Taylor	D7/612
D308,336 S	*	6/1990	Delbanco	D9/572
D314,139 S	*	1/1991	Ambasz	D9/529
4,990,345 A	*	2/1991	Webb	220/522
D336,589 S	*	6/1993	Schindler	D7/629
5,335,804 A	*	8/1994	Flory	D7/614
D356,368 S	*	3/1995	Kunze	D9/430

D439,161 S * 3/2001 Rondolino D9/430

* cited by examiner

Primary Examiner—Terry A. Wallace

(74) *Attorney, Agent, or Firm*—Boyd D. Cox

(57) **CLAIM**

The ornamental design of a coffee container, as shown.

DESCRIPTION

FIG. 1 is a front, top and right side perspective view of the present invention;

FIG. 2 is a left side elevational view of the coffee container of FIG. 1;

FIG. 3 is a right side elevational view of the coffee container of FIG. 1;

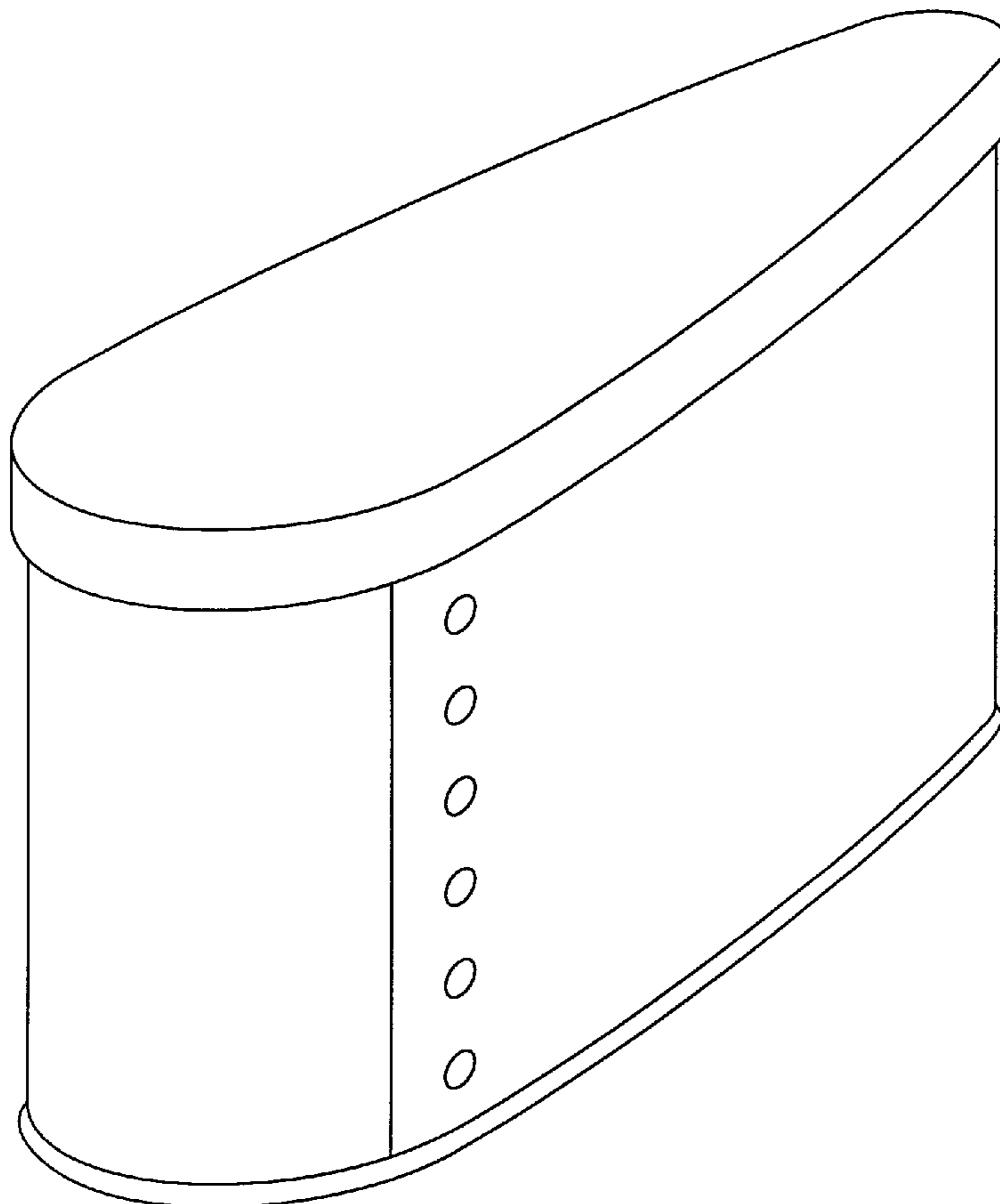
FIG. 4 is a front elevational view of the coffee container of FIG. 1;

FIG. 5 is a rear elevational view of the coffee container of FIG. 1;

FIG. 6 is a top plan view of the coffee container of FIG. 1; and,

FIG. 7 is a bottom plan view of the coffee container of FIG. 1.

1 Claim, 5 Drawing Sheets



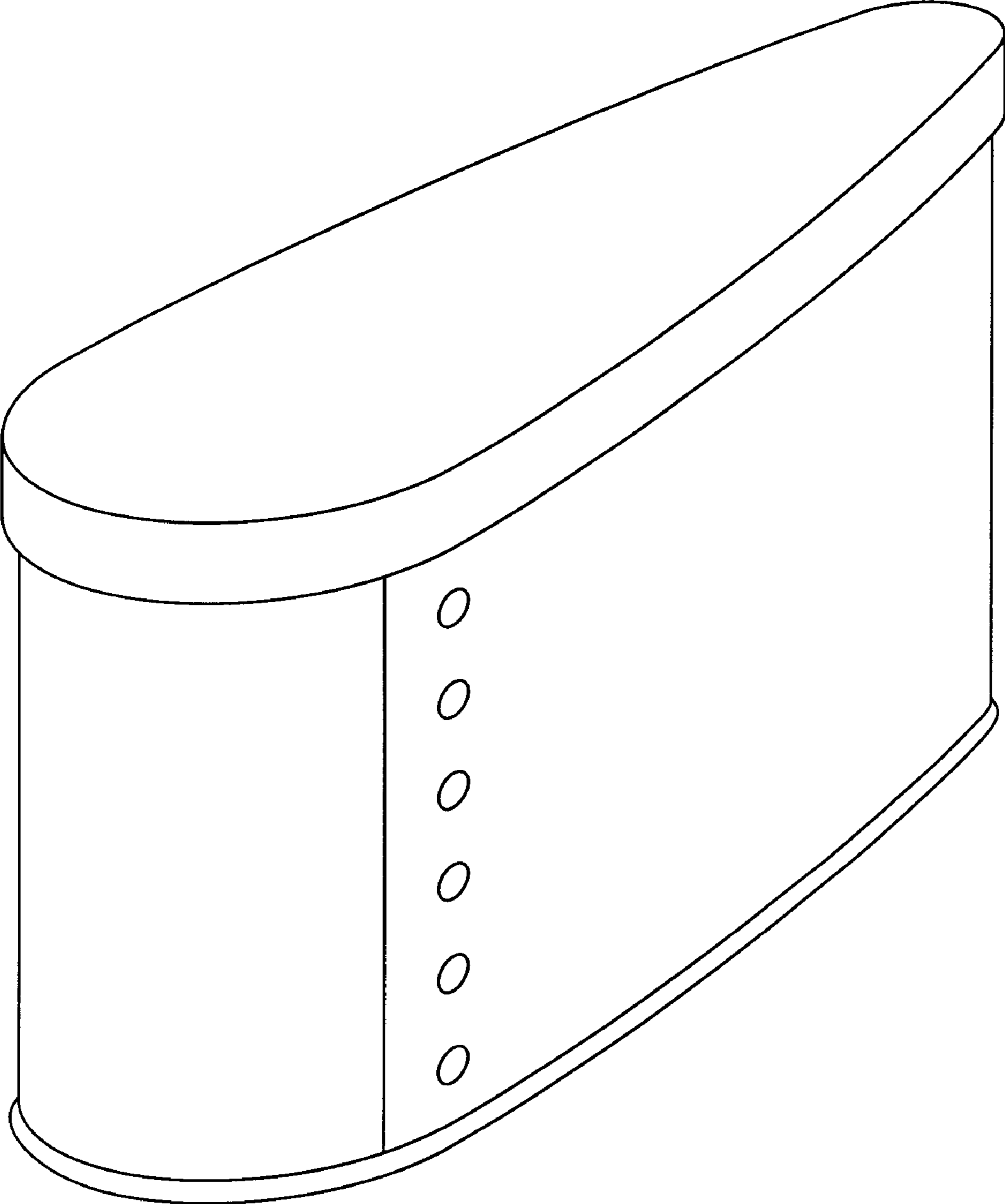


FIG. 1

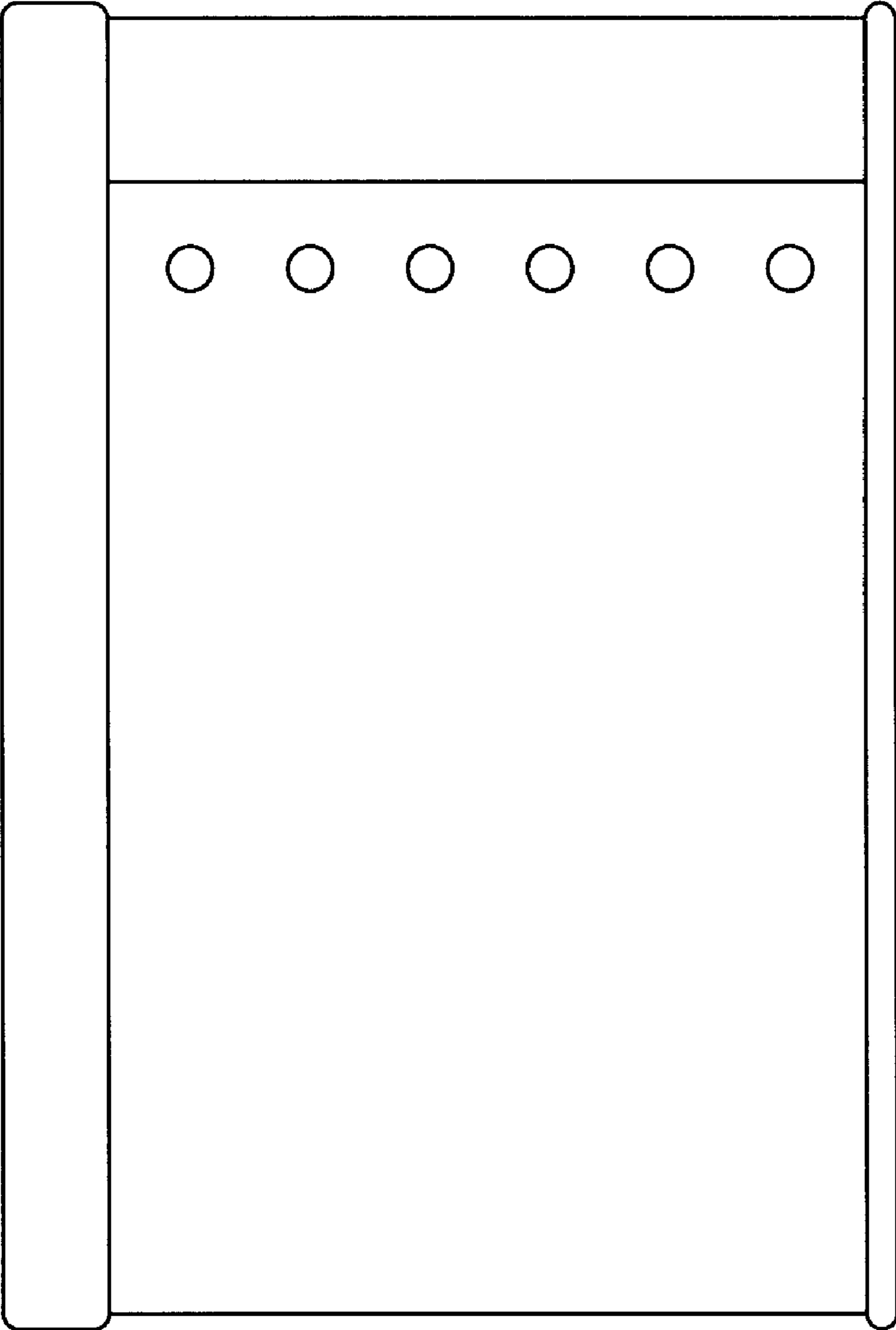


FIG. 2

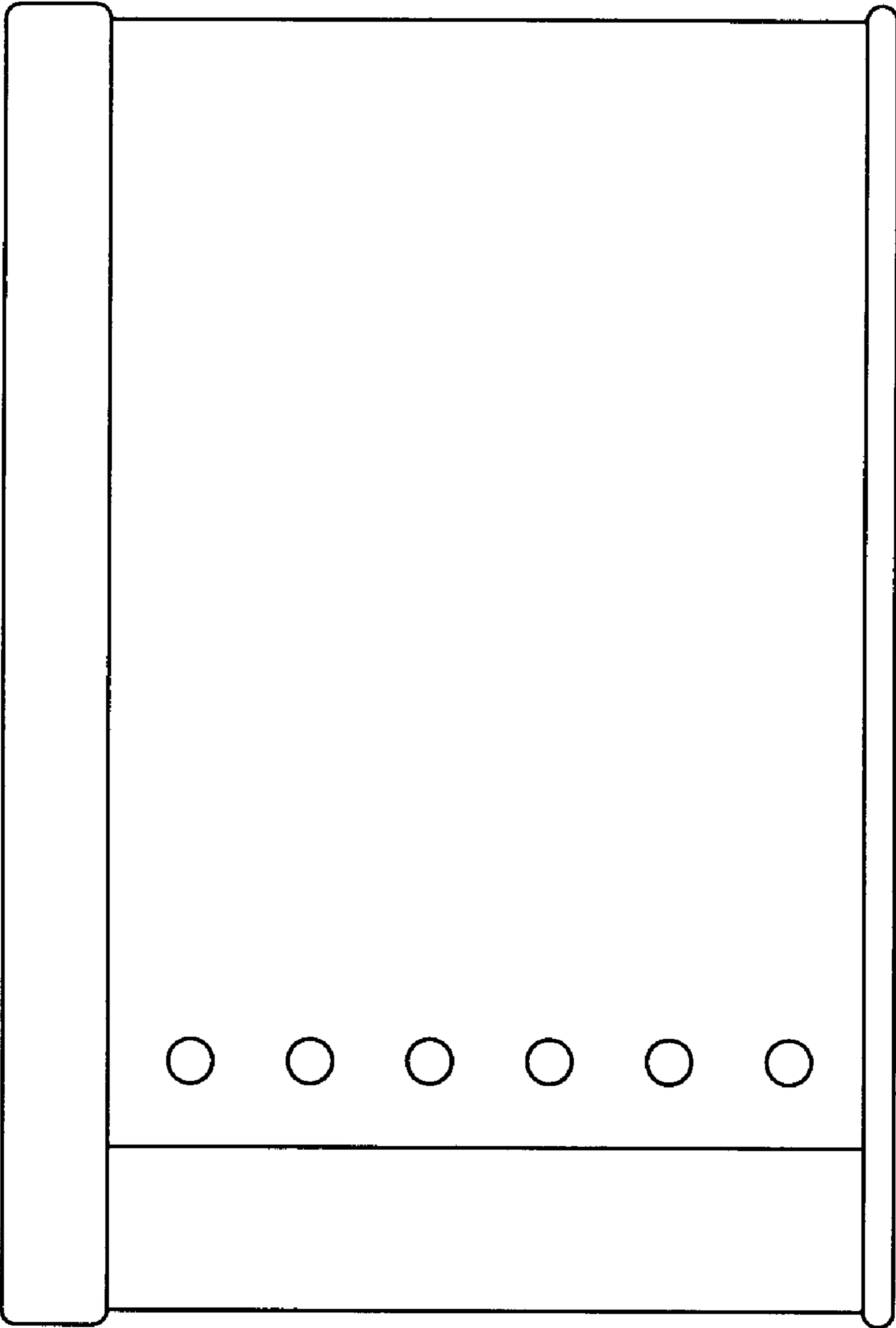


FIG. 3

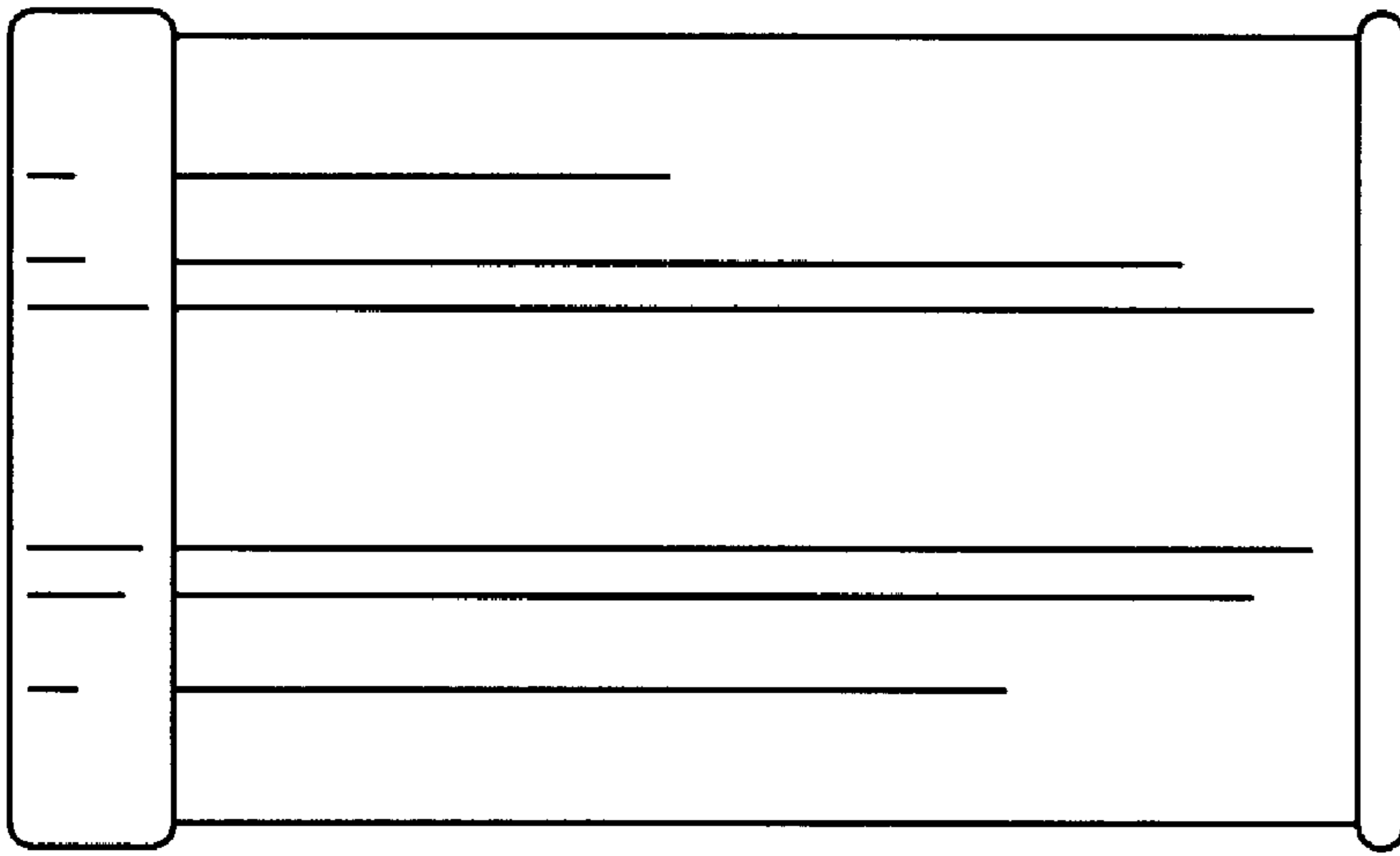


FIG. 5

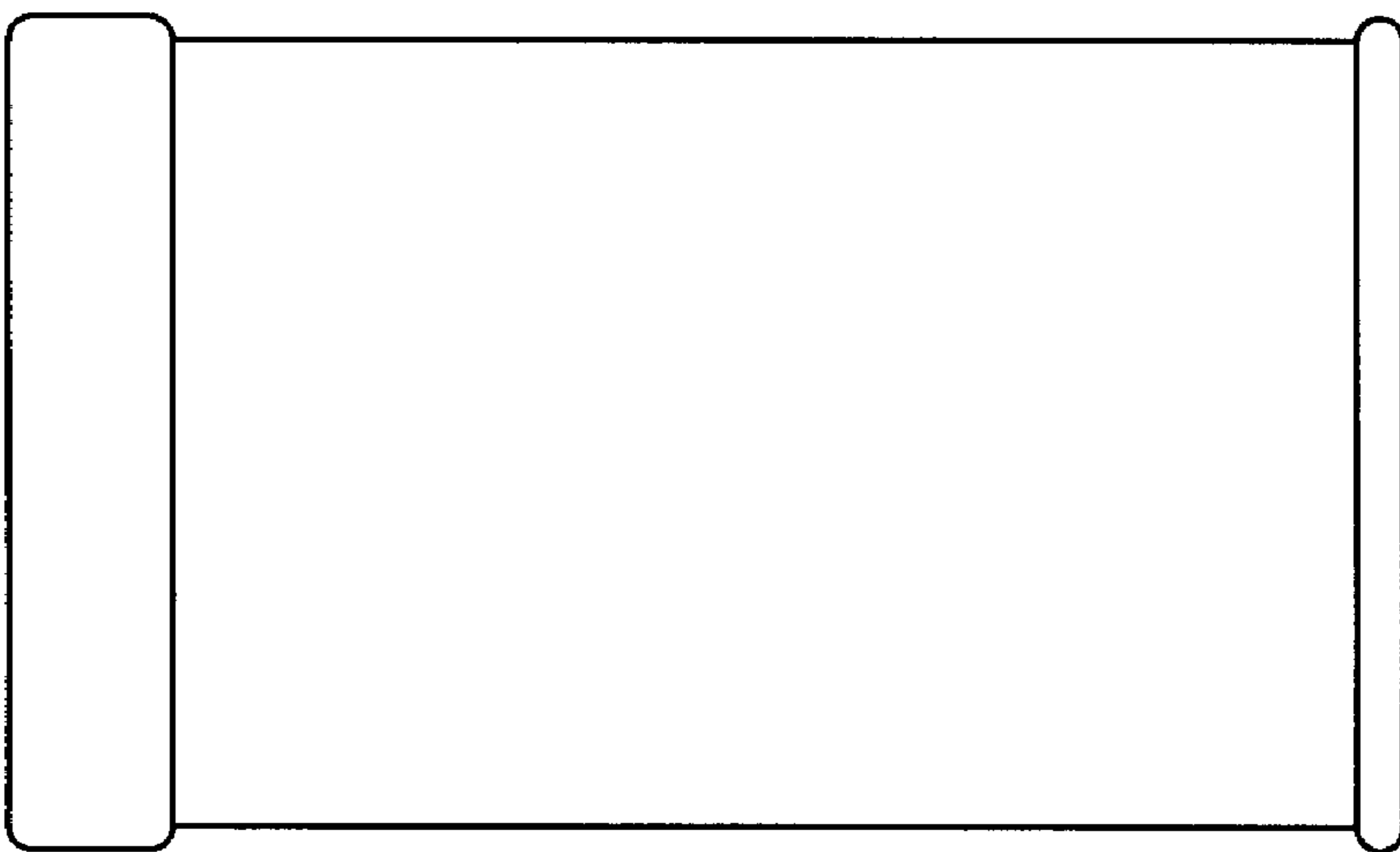


FIG. 4

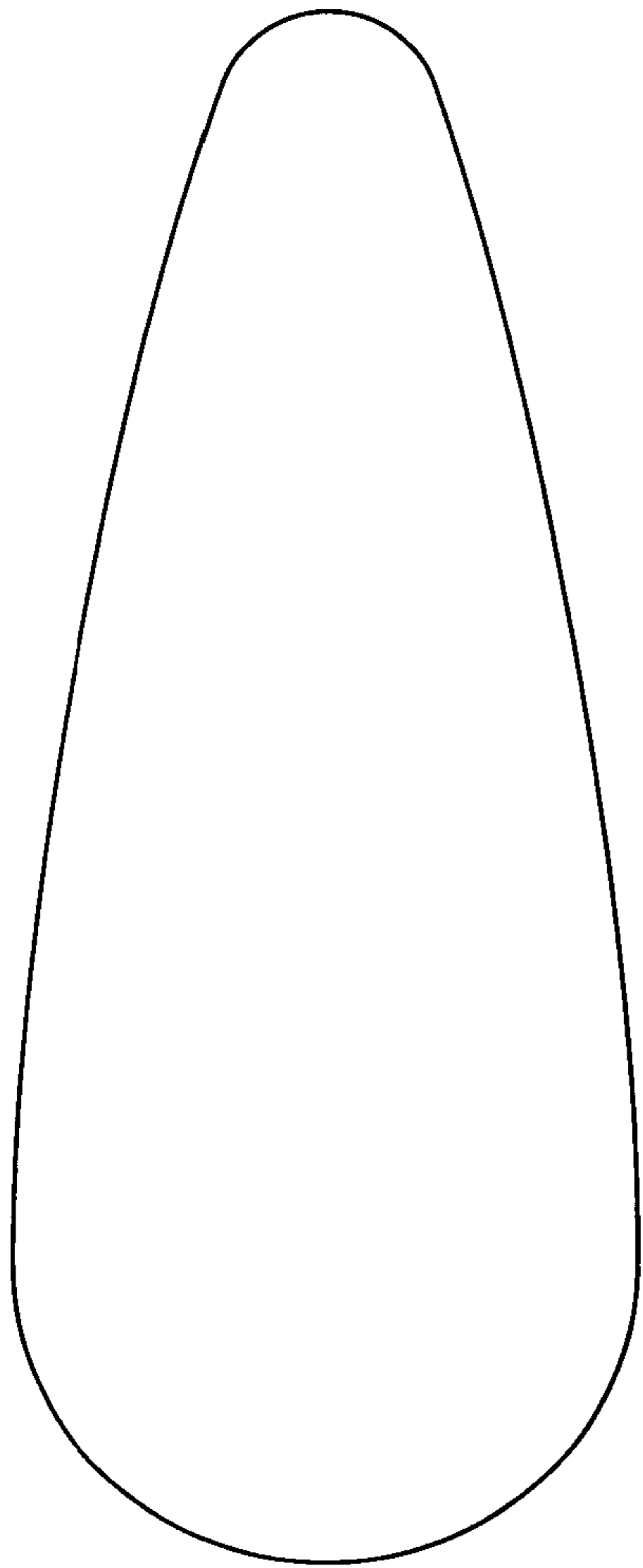


FIG. 6

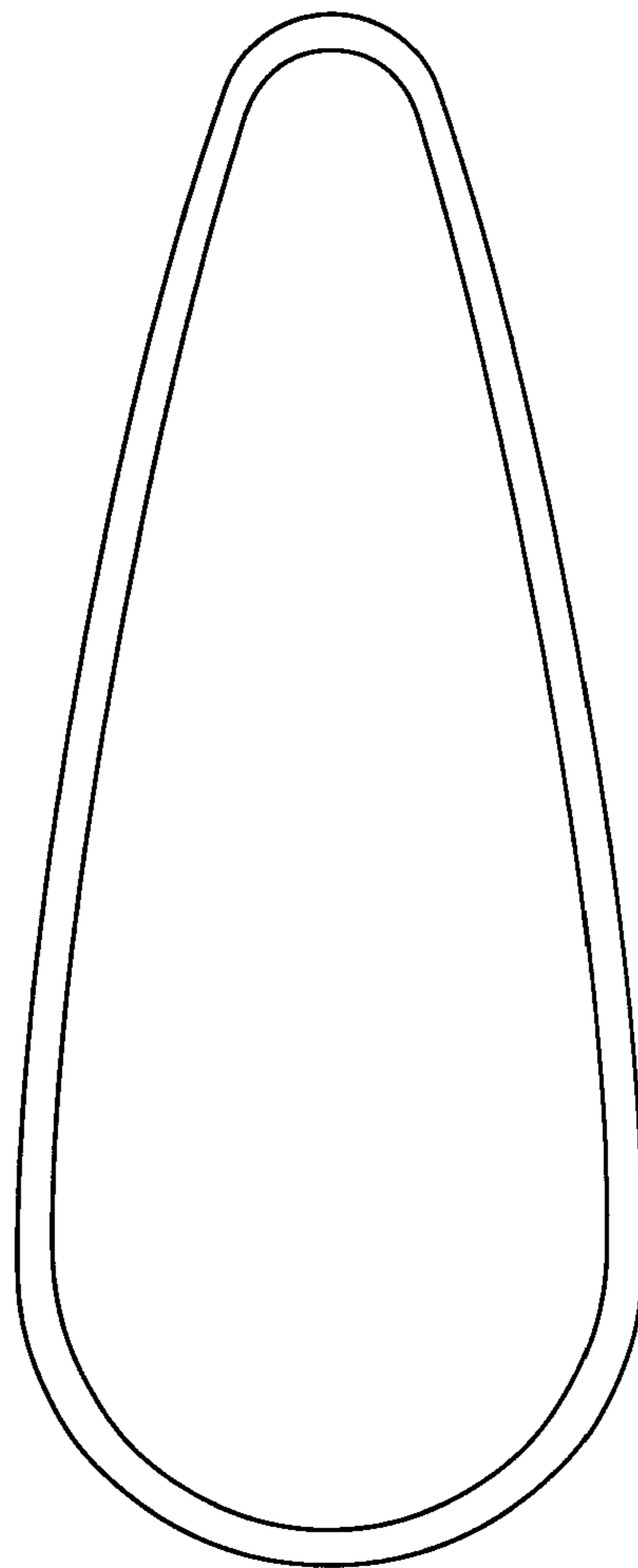


FIG. 7