

US00D535523S

(12) **United States Design Patent**  
**White**

(10) **Patent No.:** **US D535,523 S**

(45) **Date of Patent:** **\*\* Jan. 23, 2007**

- (54) **DOG DRIVE FOR BLENDER**
- (75) Inventor: **Martin White**, West Malling (GB)
- (73) Assignee: **McGill Technology Limited**, West Malling (GB)
- (\*\*) Term: **14 Years**
- (21) Appl. No.: **29/238,982**
- (22) Filed: **Sep. 26, 2005**
- (30) **Foreign Application Priority Data**  
Sep. 7, 2005 (EM) ..... 000399571-0001/0002

D366,935 S	*	2/1996	Arthun et al. ....	D23/411
D368,480 S	*	4/1996	Thirumalaisamy et al. ....	D15/5
D377,362 S	*	1/1997	Mihailovic .....	D15/126
5,639,217 A	*	6/1997	Ohtsuki et al. ....	416/183
5,645,346 A	*	7/1997	Thuna .....	366/205
5,730,582 A	*	3/1998	Heitmann .....	416/188
D421,546 S	*	3/2000	Ekstrom .....	D7/412
6,123,449 A	*	9/2000	Sadek-Patt .....	366/347
D451,526 S	*	12/2001	Lee, II .....	D15/148
6,406,214 B1	*	6/2002	Chene .....	403/350
6,406,255 B1	*	6/2002	Angelle .....	415/121.1
6,532,863 B1	*	3/2003	Lee .....	99/348
D482,847 S	*	12/2003	Lee .....	D2/869
D514,125 S	*	1/2006	Cook .....	D15/7
2003/0198127 A1	*	10/2003	Kumar et al. ....	366/314

- (51) **LOC (8) Cl.** ..... **07-02**
- (52) **U.S. Cl.** ..... **D7/412**
- (58) **Field of Classification Search** ..... D7/306,  
D7/309, 311, 376-386, 412, 413, 415, 509,  
D7/523, 529, 530; 99/348, 509-511; 241/30,  
241/33, 37.5, 101.01, 101.1, 101.2, 282.2,  
241/285.1, 285.2, 301; 366/64, 65, 129, 197-214,  
366/219, 241-254, 314, 341, 349; D15/5,  
D15/7, 126, 139, 148; D23/379, 411; 415/121.1;  
416/183, 188  
See application file for complete search history.

**FOREIGN PATENT DOCUMENTS**

EP	804896 A1	*	11/1997
FR	2820021		8/2002

\* cited by examiner

*Primary Examiner*—Cathron C. Brooks  
*Assistant Examiner*—Ricky Pham  
(74) *Attorney, Agent, or Firm*—Nixon & Vanderhye P.C.

(57) **CLAIM**

The ornamental design for a dog drive for blender, as shown and described.

(56) **References Cited**

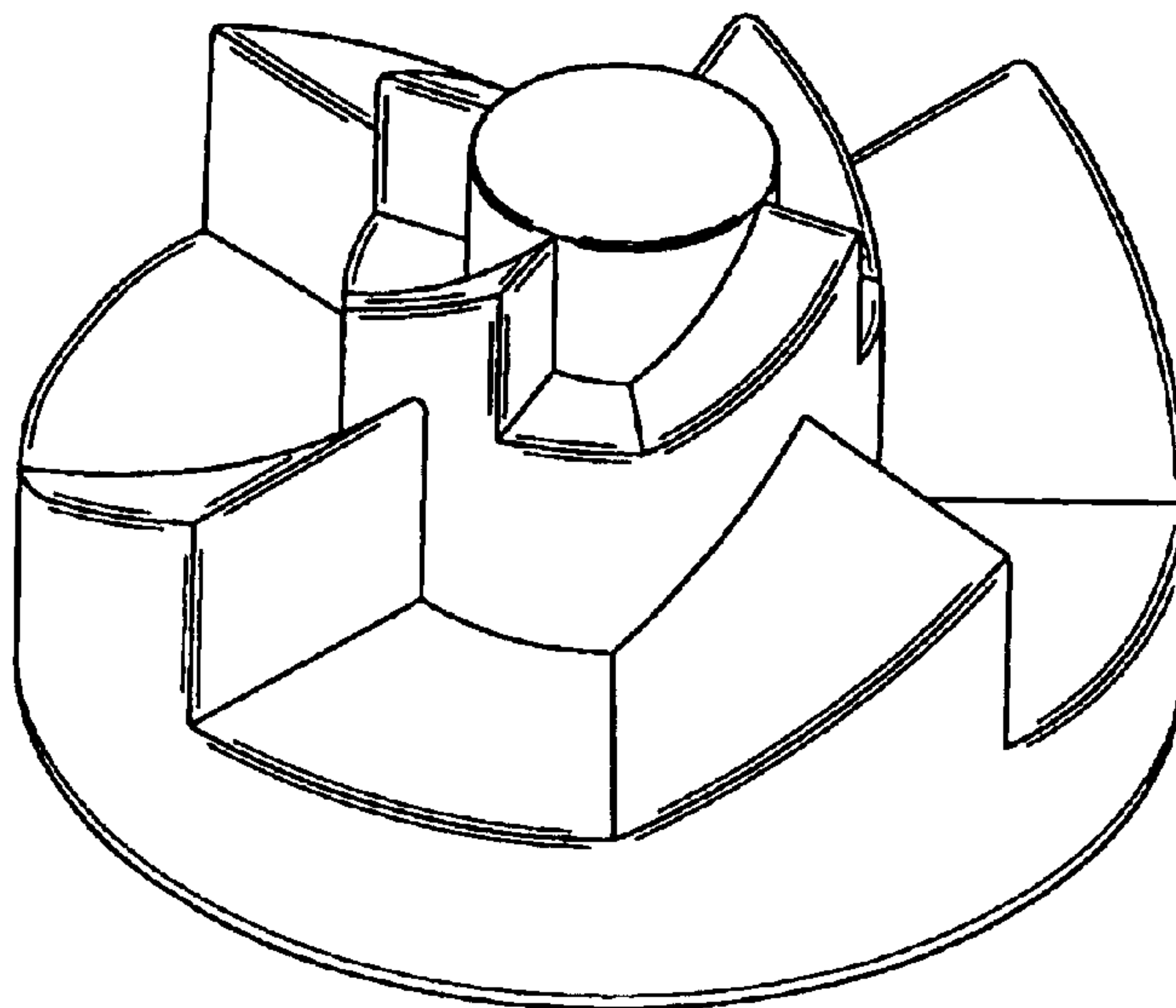
**U.S. PATENT DOCUMENTS**

2,223,018 A	*	11/1940	Christensen .....	366/314
2,465,671 A	*	3/1949	Millingen Reuel Duncan Van et al. ....	416/188
2,702,571 A	*	2/1955	Murray .....	241/294
2,940,738 A	*	6/1960	Posener .....	366/205
3,240,246 A	*	3/1966	Dewenter .....	241/98
4,520,541 A	*	6/1985	Miki et al. ....	29/889.23
4,732,342 A		3/1988	Mobius .....	
D296,900 S	*	7/1988	Randolph .....	D15/148
4,904,158 A	*	2/1990	Kun .....	416/183

**DESCRIPTION**

FIG. 1 is a perspective view of a dog drive for blender showing my new design;  
FIG. 2 is a top plan view thereof;  
FIG. 3 is a bottom plan view thereof; and,  
FIG. 4 is a side elevational view thereof.  
This design relates to a component of a food blending machine, in particular a dog drive.

**1 Claim, 2 Drawing Sheets**



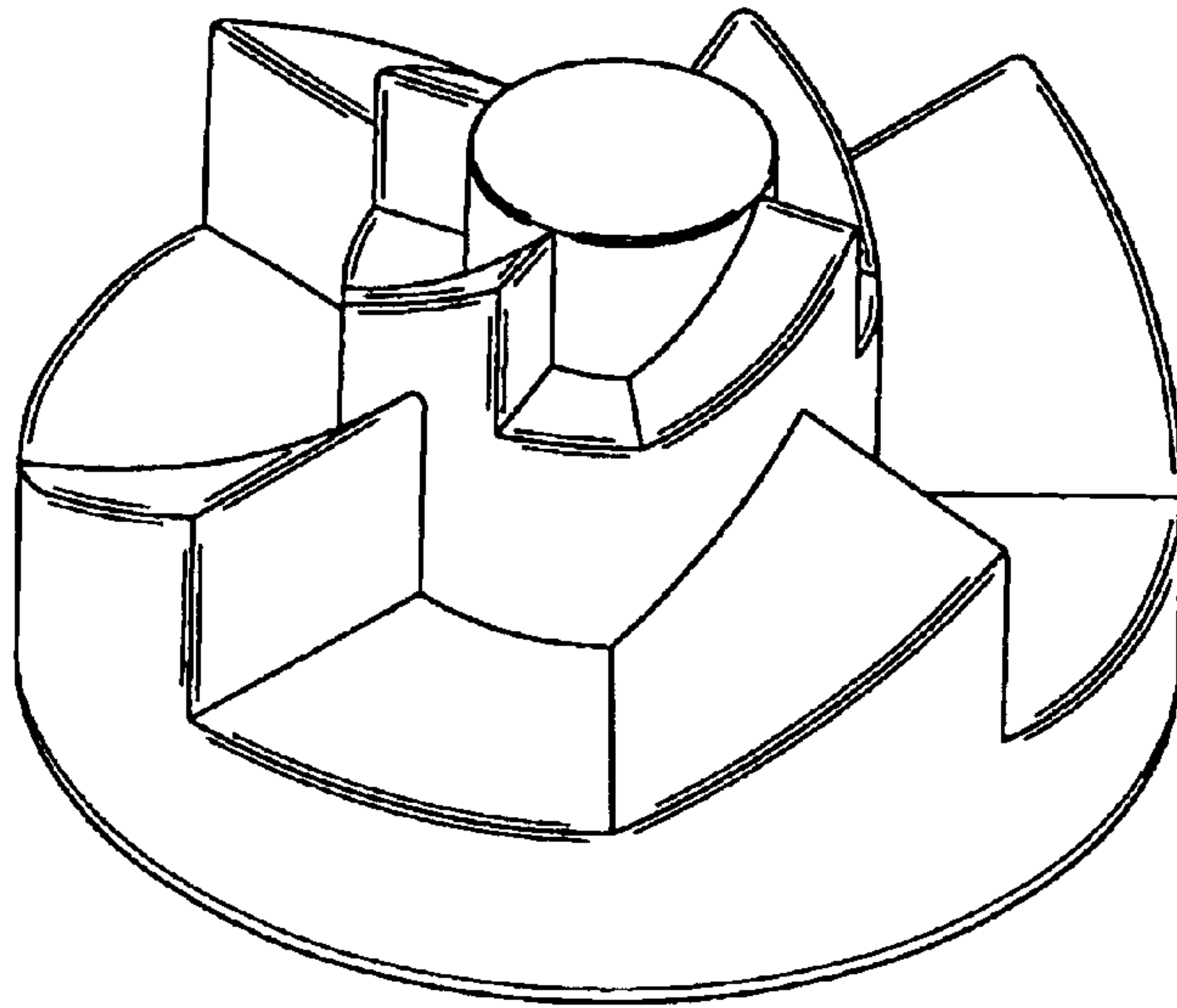


FIG. 1

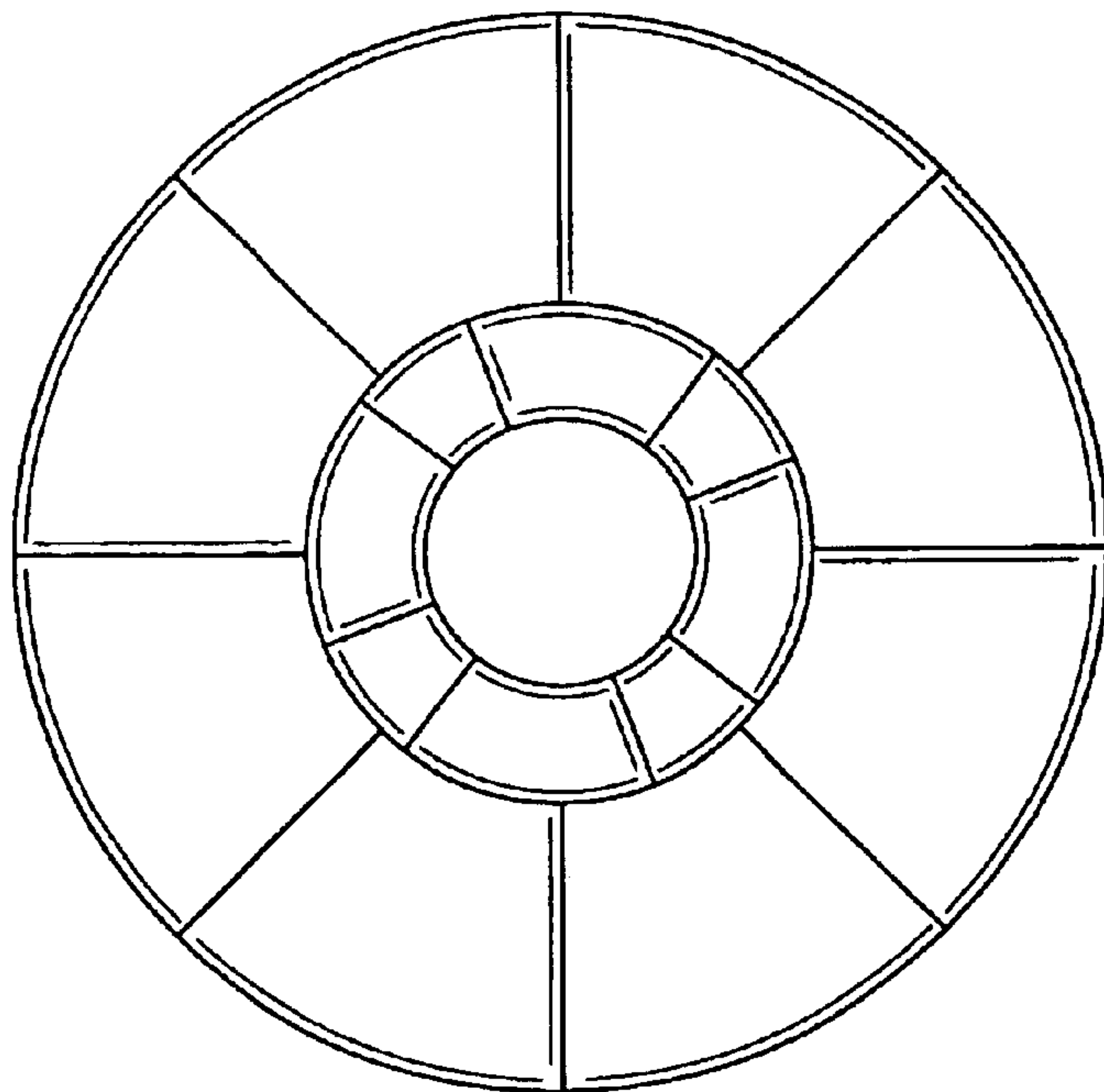


FIG. 2

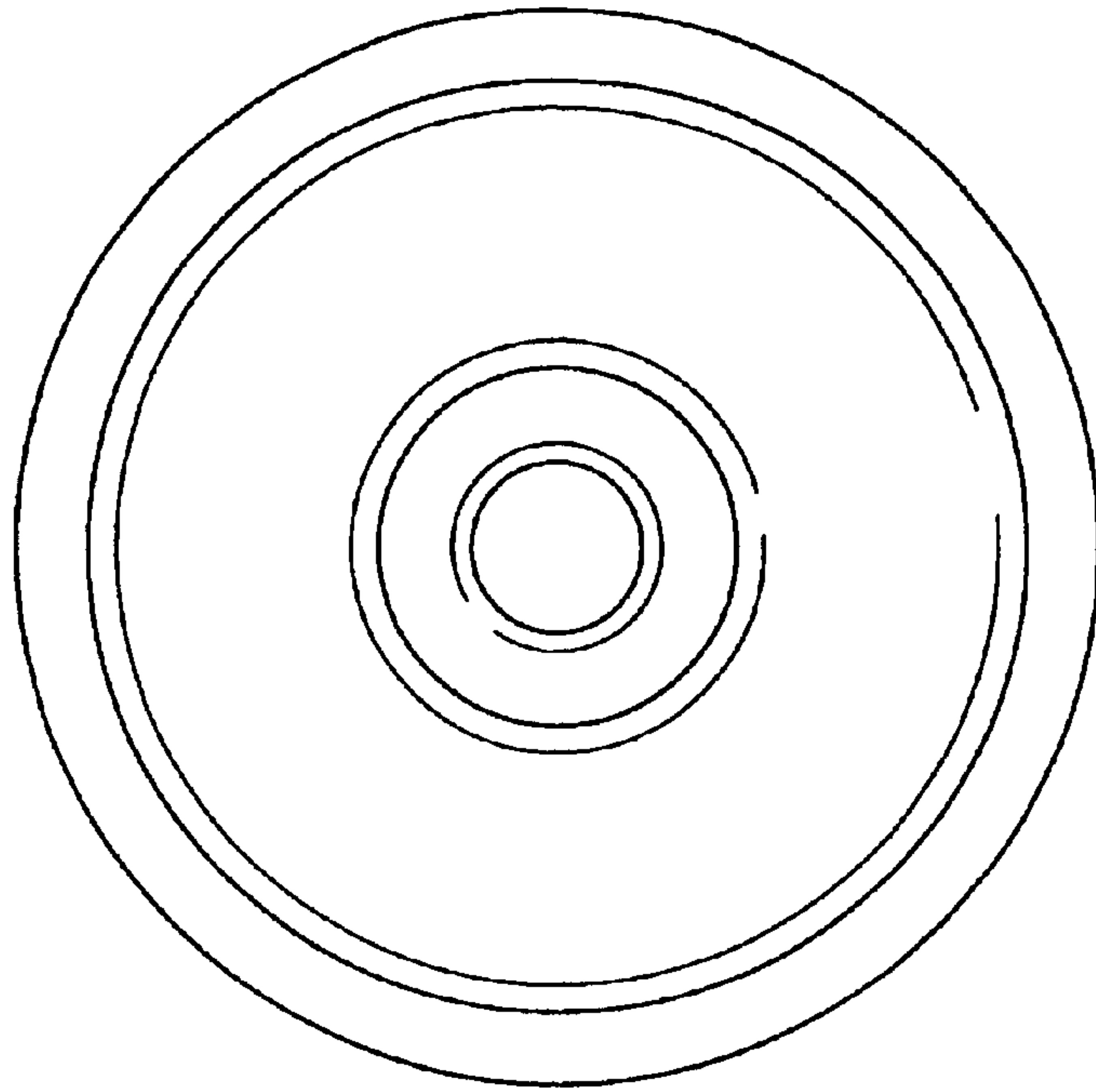


FIG. 3

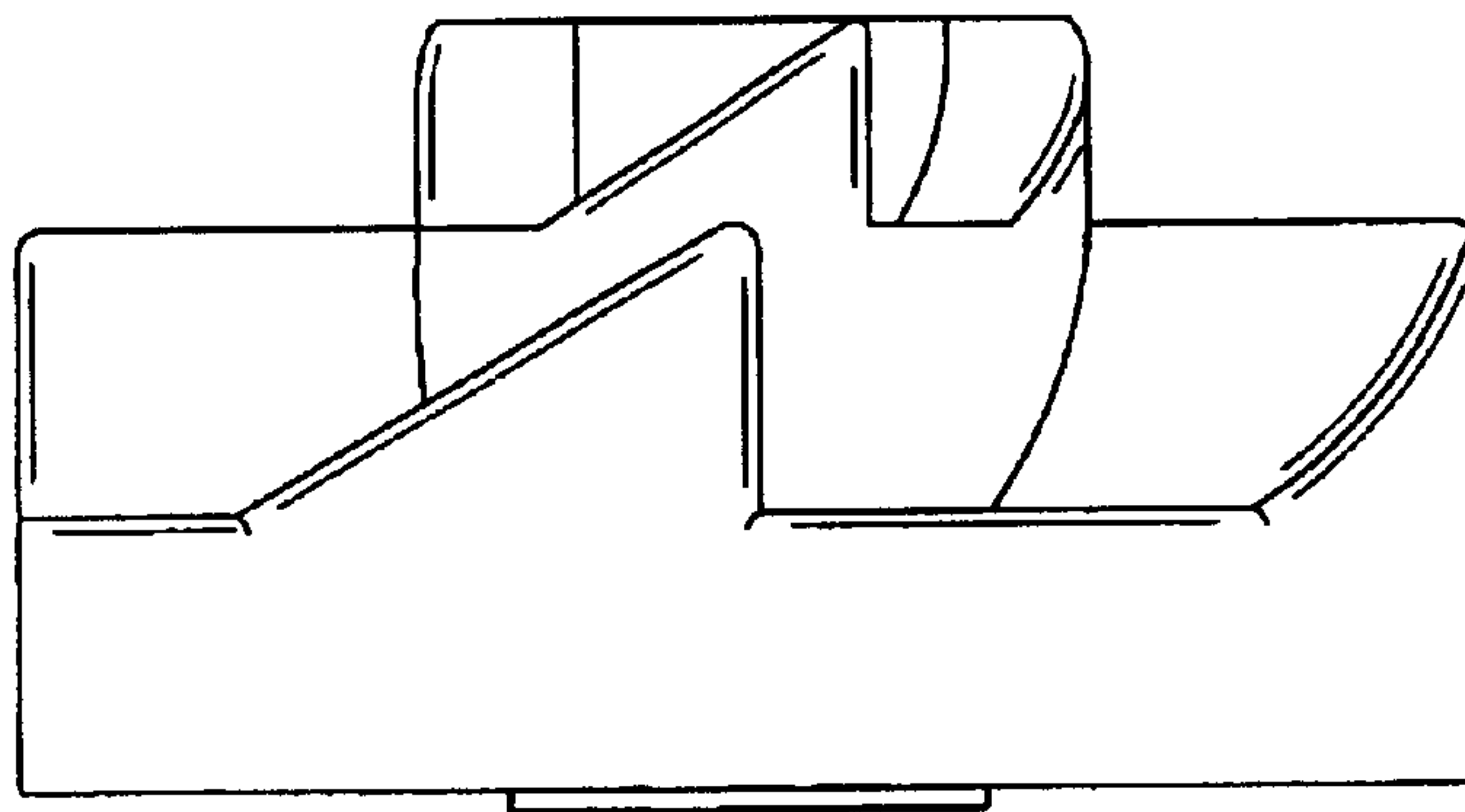


FIG. 4