



US00D535520S

(12) **United States Design Patent**
Cundieff

(10) **Patent No.:** **US D535,520 S**

(45) **Date of Patent:** **** Jan. 23, 2007**

- (54) **BASE FOR A DRINKING VESSEL**
 - (76) Inventor: **Larry Cundieff**, 2539 E. Eightmile Ave., Athol, ID (US) 83801
 - (**) Term: **14 Years**
 - (21) Appl. No.: **29/259,653**
 - (22) Filed: **May 11, 2006**
 - (51) **LOC (8) Cl.** **07-99**
 - (52) **U.S. Cl.** **D7/396.6; D7/396.2; D7/624.1**
 - (58) **Field of Classification Search** D7/509, D7/510, 511, 523, 507, 513, 624.1, 624.2, D7/396.6, 396.2, 619.1; 215/383, 388, 374, 215/6; 220/705, 504, 703; 362/105; 99/571; 472/71; 428/3
- See application file for complete search history.

- D417,819 S * 12/1999 Kelly-Pollet D7/510
- 6,145,685 A * 11/2000 Dick 220/23.88
- D447,004 S * 8/2001 Green D7/510
- D479,671 S * 9/2003 Gluck D7/533
- D496,222 S * 9/2004 Kleckauskas et al. D7/507
- D519,324 S * 4/2006 Martin D7/590
- D519,782 S * 5/2006 Schuler et al. D7/509
- D520,302 S * 5/2006 Yeh D7/530

* cited by examiner

Primary Examiner—M. N. Pandozzi

(74) *Attorney, Agent, or Firm*—Wells St. John P.S.

(57) **CLAIM**

The ornamental design for a base for a drinking vessel, as shown and described.

DESCRIPTION

FIG. 1 is a top perspective view of a base for a drinking vessel showing my new design;
 FIG. 2 is a bottom perspective view thereof;
 FIG. 3 is a front elevational view thereof;
 FIG. 4 is a rear elevational view thereof;
 FIG. 5 is a left side elevational view thereof;
 FIG. 6 is a right side elevational view thereof;
 FIG. 7 is a top plan view thereof; and,
 FIG. 8 is a bottom plan view thereof.

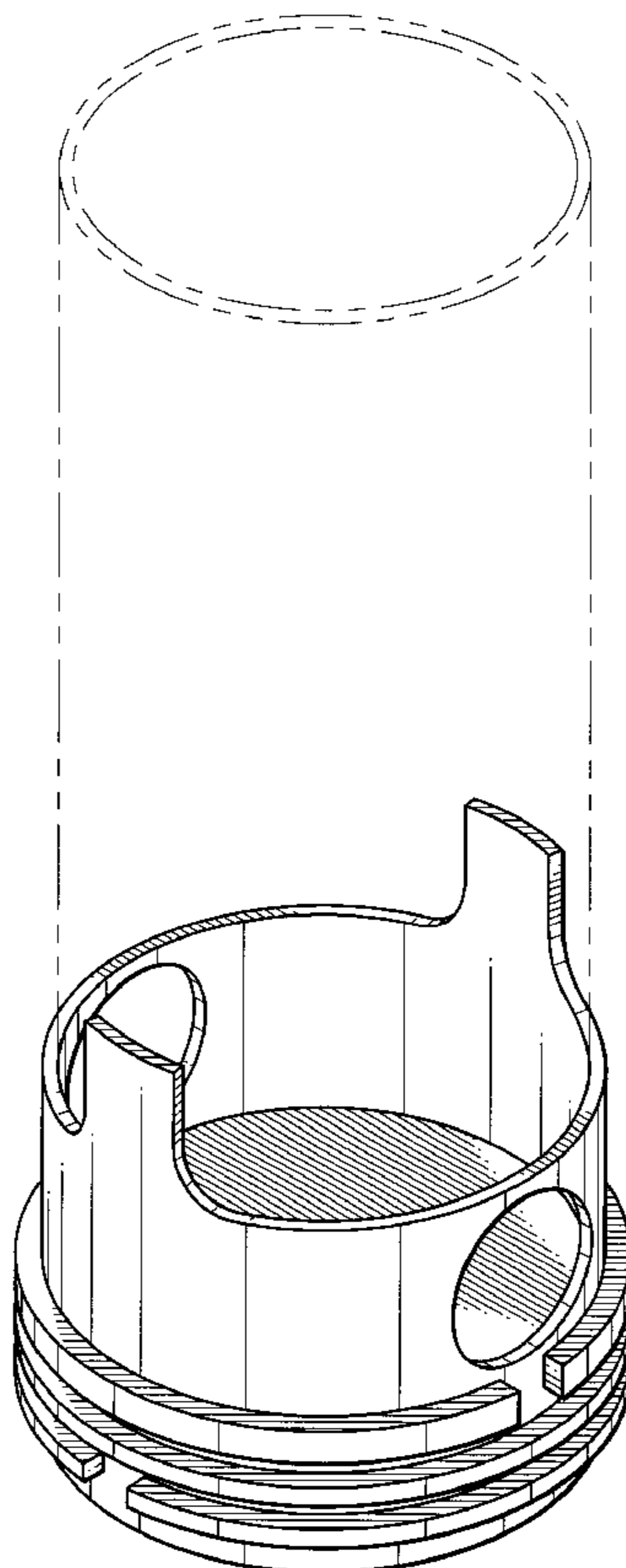
The broken lines in the drawings are for illustrative purposes only and form no part of the claimed design.

(56) **References Cited**

U.S. PATENT DOCUMENTS

- D226,126 S * 1/1973 Washburn D7/624.1
- D226,215 S * 1/1973 Hills D7/624.1
- 4,600,111 A * 7/1986 Brown 215/6
- D327,818 S * 7/1992 Haralson et al. D7/534
- D358,296 S * 5/1995 Garneau D7/510
- D376,728 S * 12/1996 Richards et al. D7/507
- D384,859 S * 10/1997 Cundieff D7/523
- D410,174 S * 5/1999 Sheu D7/510
- D410,364 S * 6/1999 Ramirez et al. D7/507

1 Claim, 7 Drawing Sheets



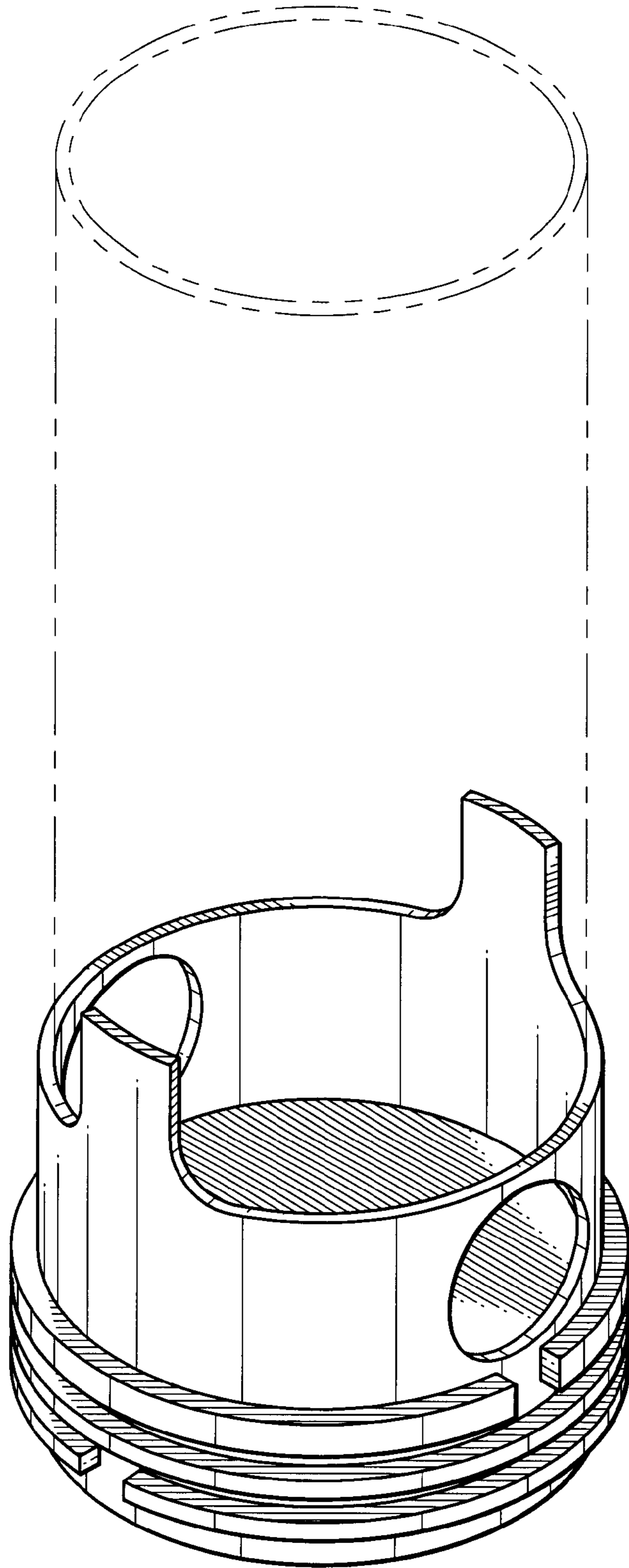
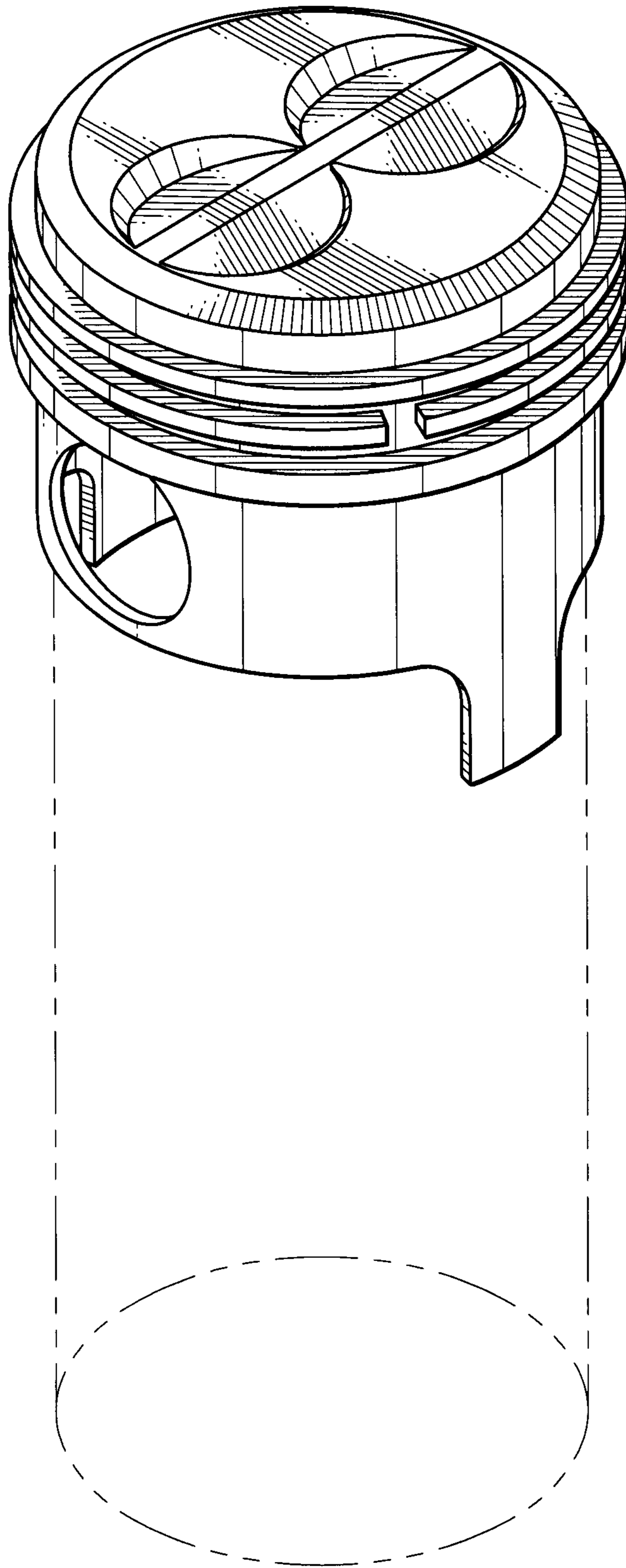


FIG. 1



11 07 02

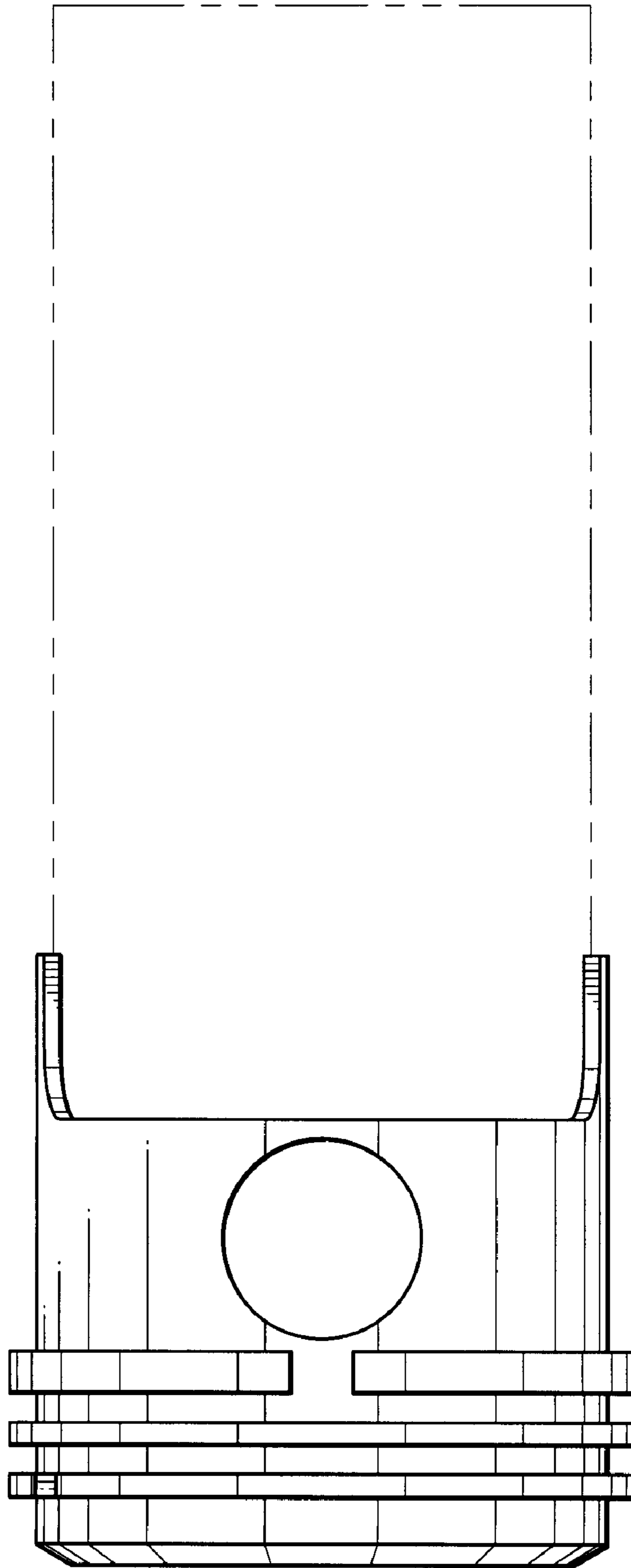


FIG. 3

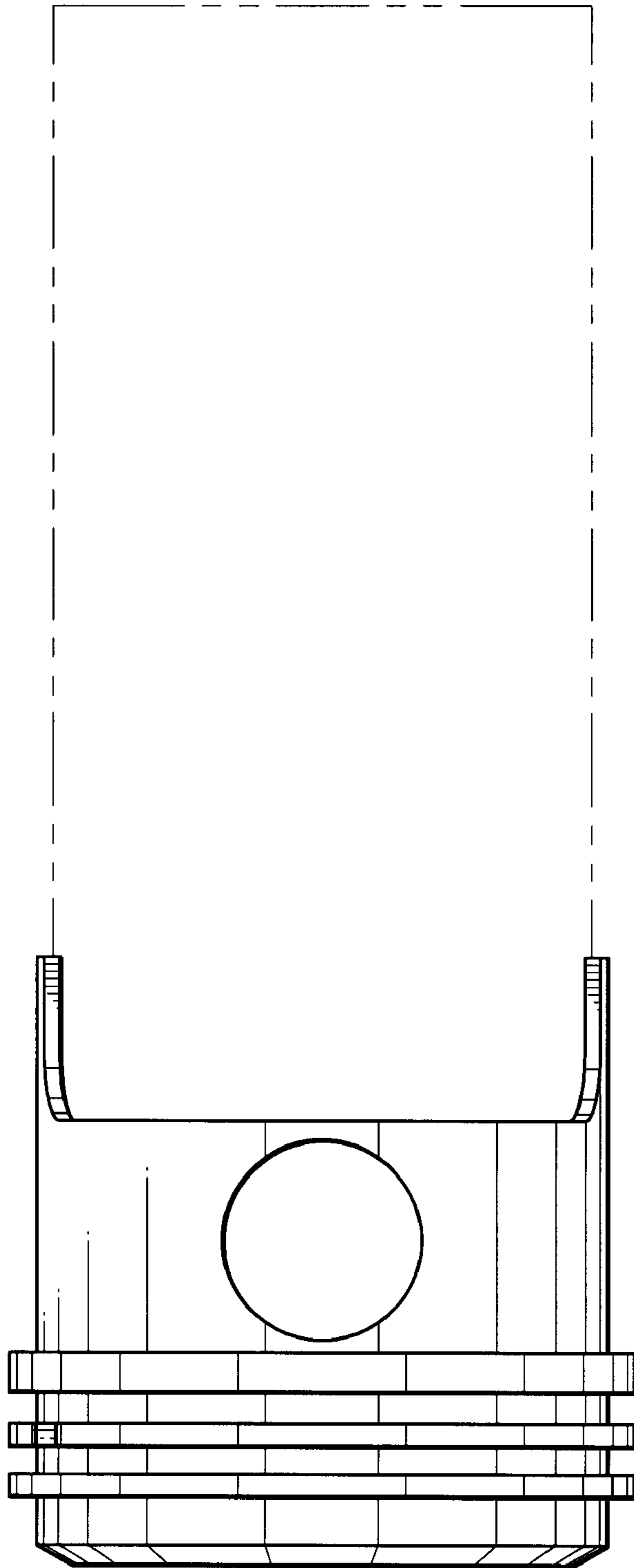


Fig. 4

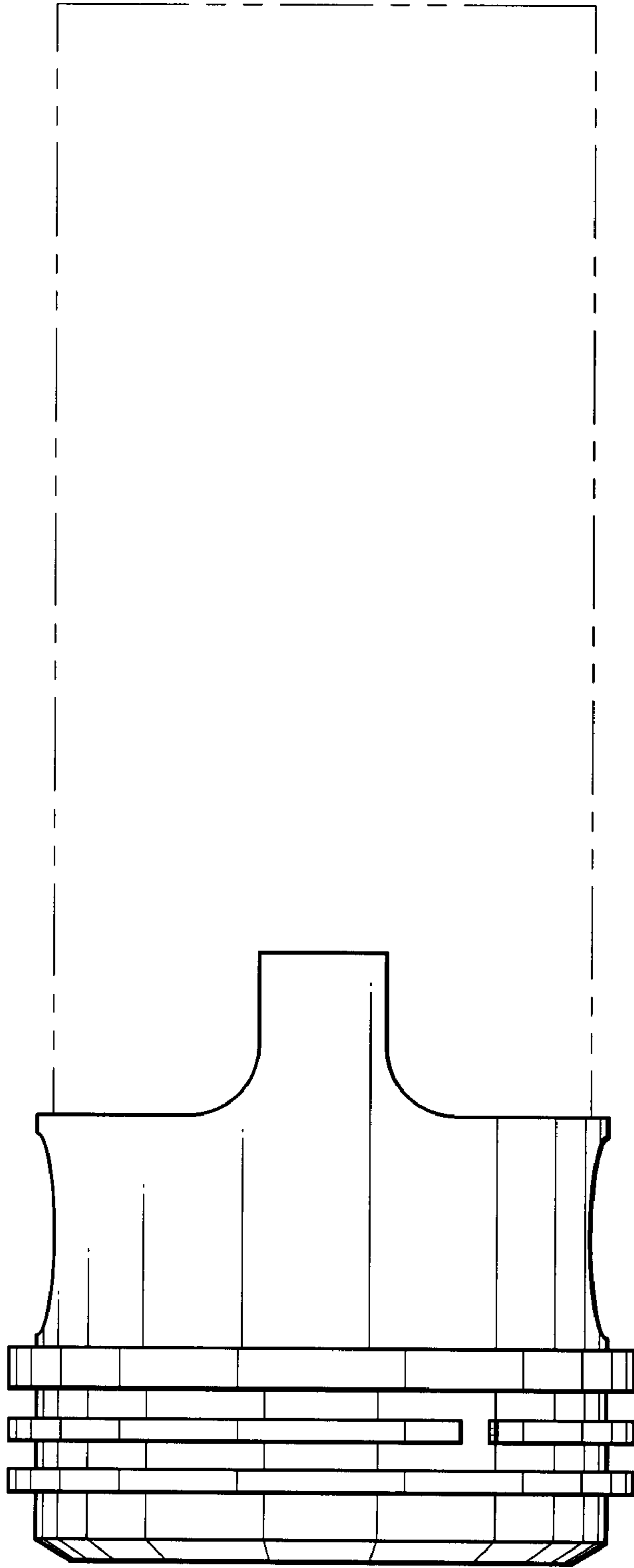


Fig. 5

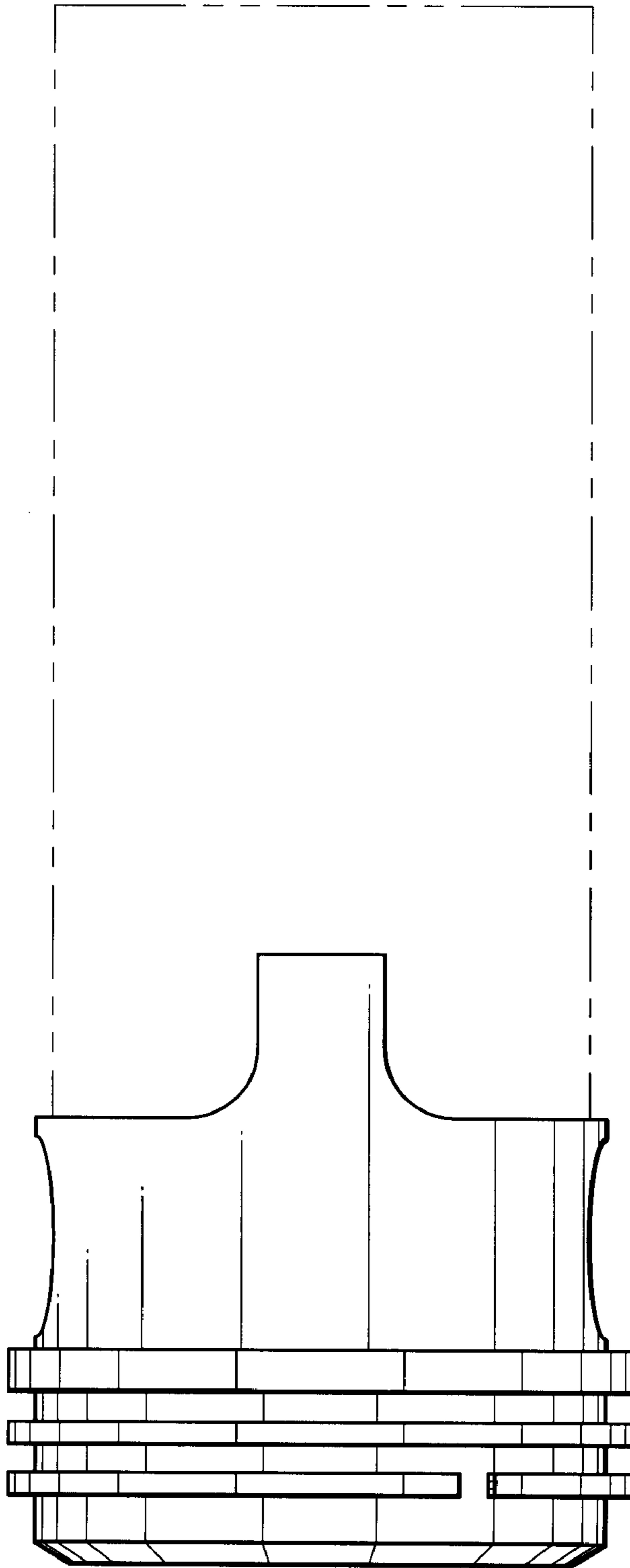


FIG. 6

