



US00D535518S

(12) **United States Design Patent** (10) **Patent No.:** **US D535,518 S**
Patterson et al. (45) **Date of Patent:** **** Jan. 23, 2007**

(54) **FOOD WASTE DISPOSER TRIM SHELL**
 (75) Inventors: **James Robert Patterson**, Oak Creek, WI (US); **Thomas M. Garza, Sr.**, Milwaukee, WI (US); **Scott W Anderson**, Racine, WI (US); **David MacNair**, Libertyville, WI (US); **Joshua P Malik**, Racine, WI (US); **Eric Joseph Schultz**, Thiensville, WI (US); **James Douglas Wilson**, Norwood, MA (US); **Kevin Robert Young**, South Boston, MA (US); **Jo Frances Wollschlaeger**, Portland, OR (US)

D431,153 S 9/2000 Brandel et al. D7/375
 D431,752 S 10/2000 Brandel et al. D7/375
 D444,668 S * 7/2001 Leung D7/372
 D451,755 S 12/2001 Brandel et al. D7/375
 D452,110 S 12/2001 Brandel et al. D7/375
 D455,603 S 4/2002 Brandel et al. D7/375
 D455,604 S * 4/2002 Brandel et al. D7/375

(73) Assignee: **Emerson Electric Co.**, St. Louis, MO (US)

(**) Term: **14 Years**

(21) Appl. No.: **29/245,755**

(22) Filed: **Dec. 27, 2005**

(51) **LOC (8) Cl.** **31-00**
 (52) **U.S. Cl.** **D7/375**
 (58) **Field of Classification Search** D7/375,
 D7/372-374, 378-379, 384, 678; 241/36,
 241/37.5, 92, 169.1, 199.12, 282.1; 210/539-540;
 4/629, DIG. 4
 See application file for complete search history.

(56) **References Cited**

U.S. PATENT DOCUMENTS

D194,128 S * 11/1962 Hawkins D7/375
 3,801,998 A * 4/1974 Macias 4/629
 4,761,235 A * 8/1988 Haentjens 210/532.1
 D426,421 S 6/2000 Hirsch et al. D7/375
 D430,987 S 9/2000 Brandel et al. D7/375

OTHER PUBLICATIONS

U.S. Appl. No. 29/245,756, Patterson et al., filed Dec. 27, 2005.
 U.S. Appl. No. 29/245,750, Patterson et al., filed Dec. 27, 2005.
 U.S. Appl. No. 29/245,751, Patterson et al., filed Dec. 27, 2005.
 U.S. Appl. No. 29/245,759, Patterson et al., filed Dec. 27, 2005.

* cited by examiner

Primary Examiner—Catherine R. Oliver

(74) *Attorney, Agent, or Firm*—Locke Liddell & Sapp LLP

(57) **CLAIM**

The ornamental design for a food waste disposer trim shell, as shown and described.

DESCRIPTION

FIG. 1 is a perspective view of the food waste disposer trim shell.
 FIG. 2 is a front view.
 FIG. 3 is a rear view.
 FIG. 4 a side view.
 FIG. 5 is a side view showing the side opposite that shown in FIG. 4.
 FIG. 6 is a top view; and,
 FIG. 7 is a bottom view.

1 Claim, 2 Drawing Sheets

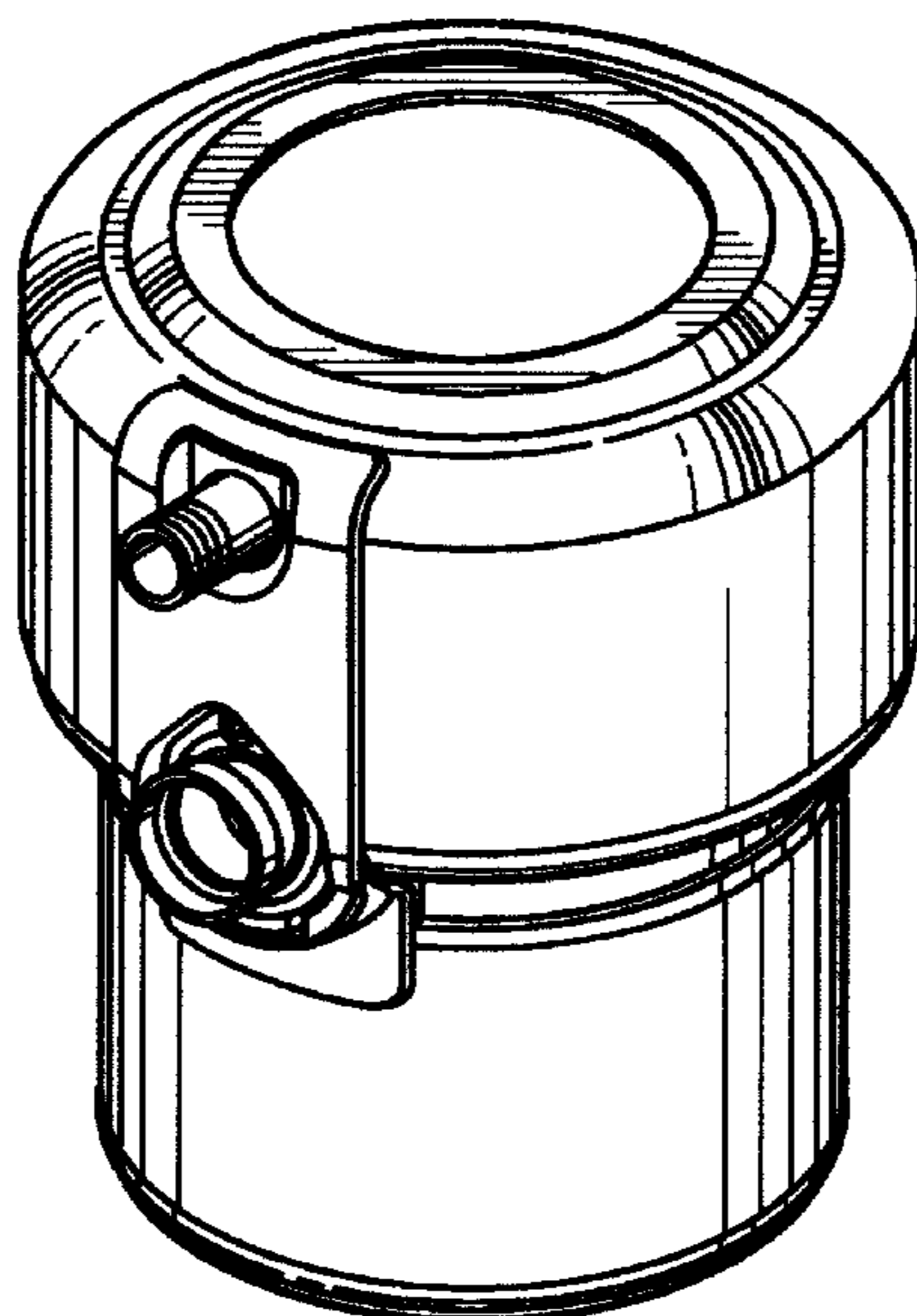


FIG. 1

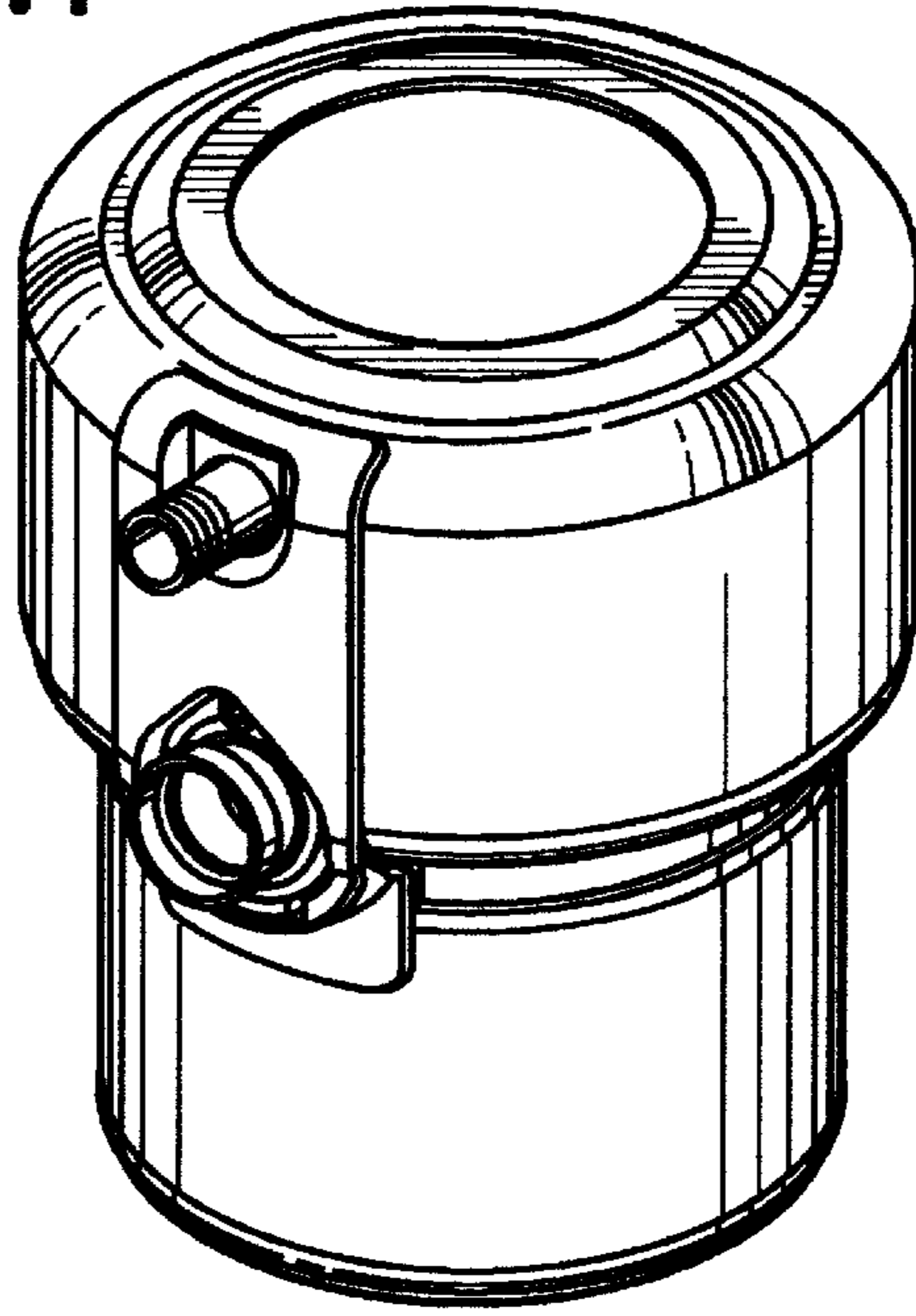


FIG. 2

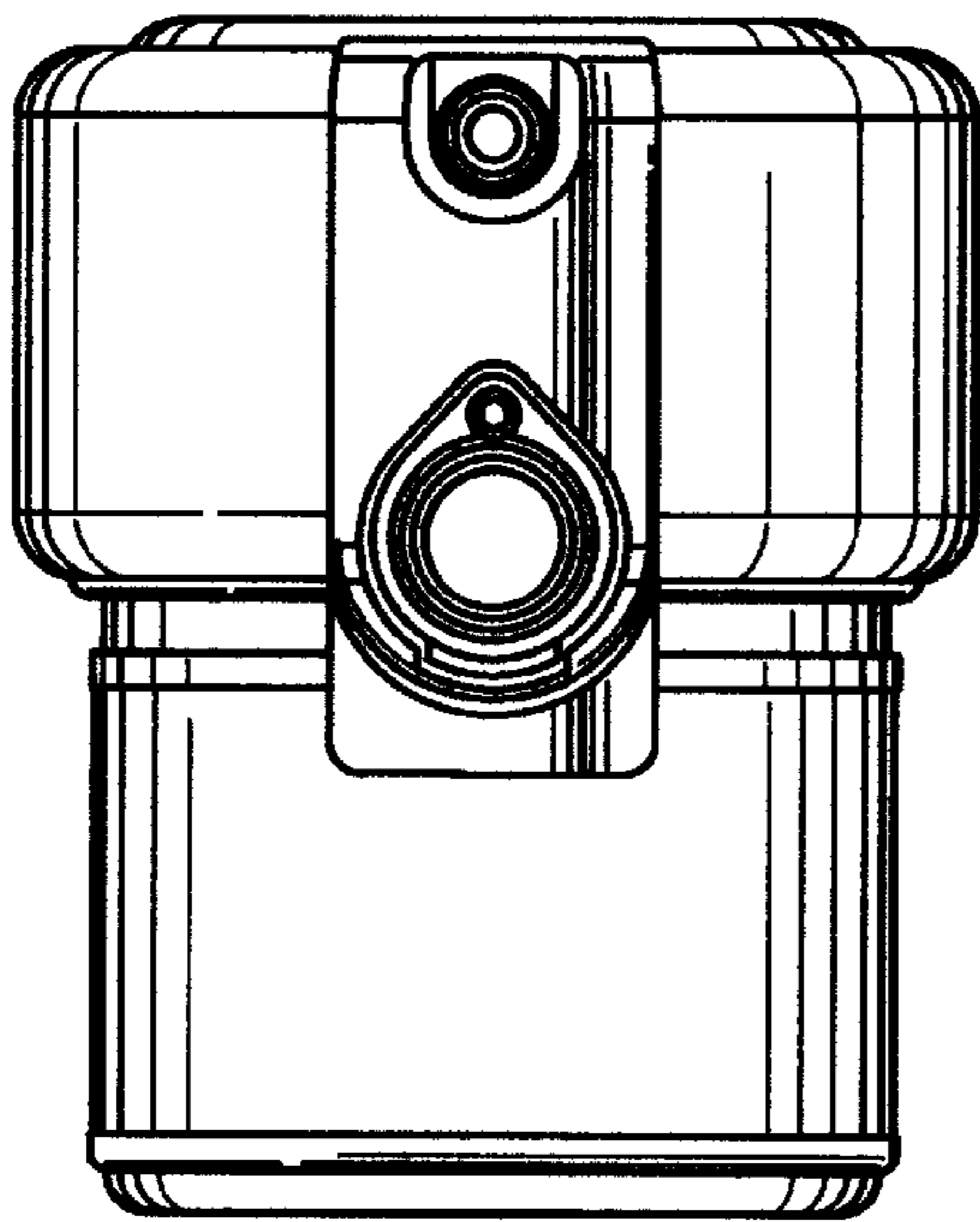


FIG. 3

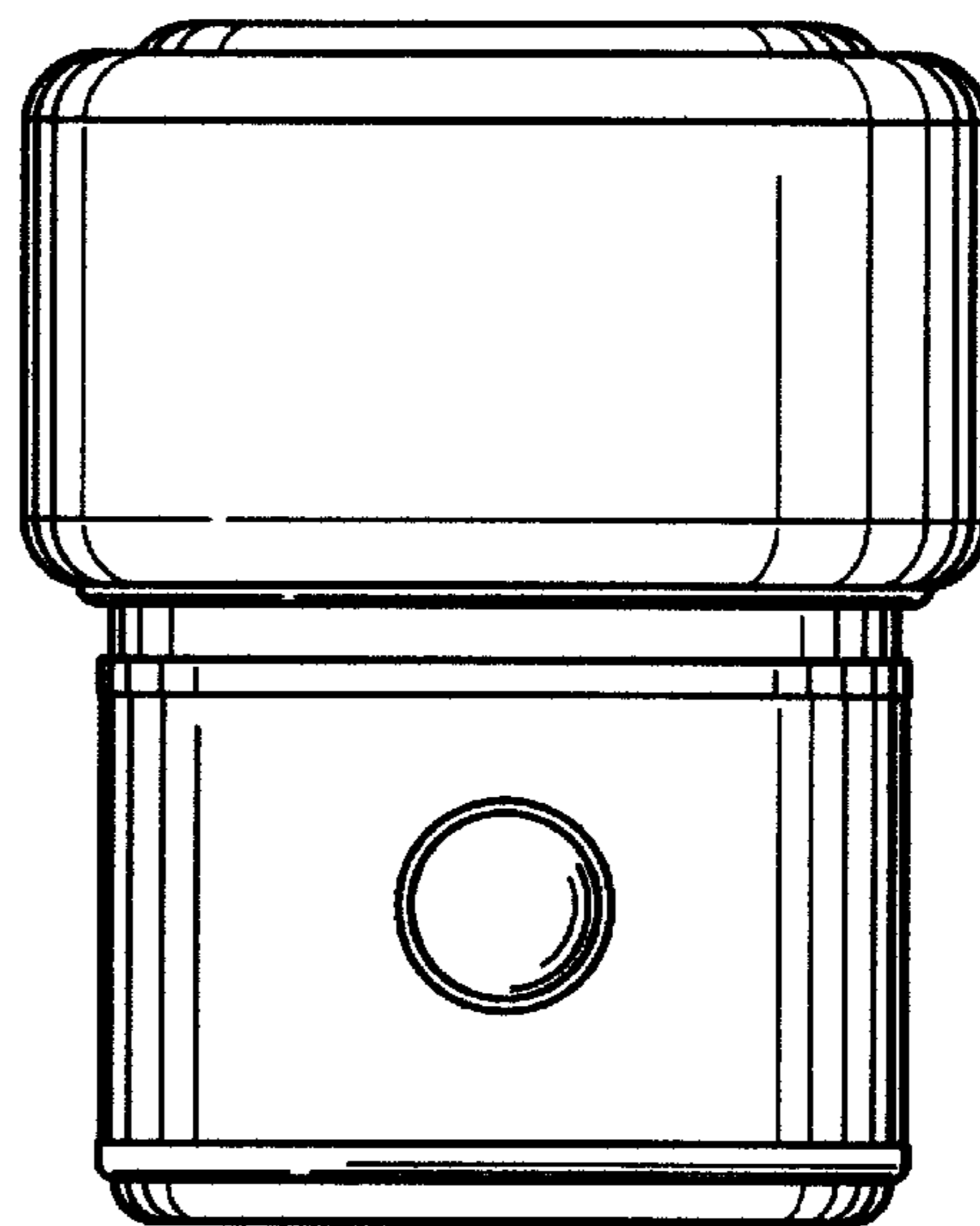


FIG. 4

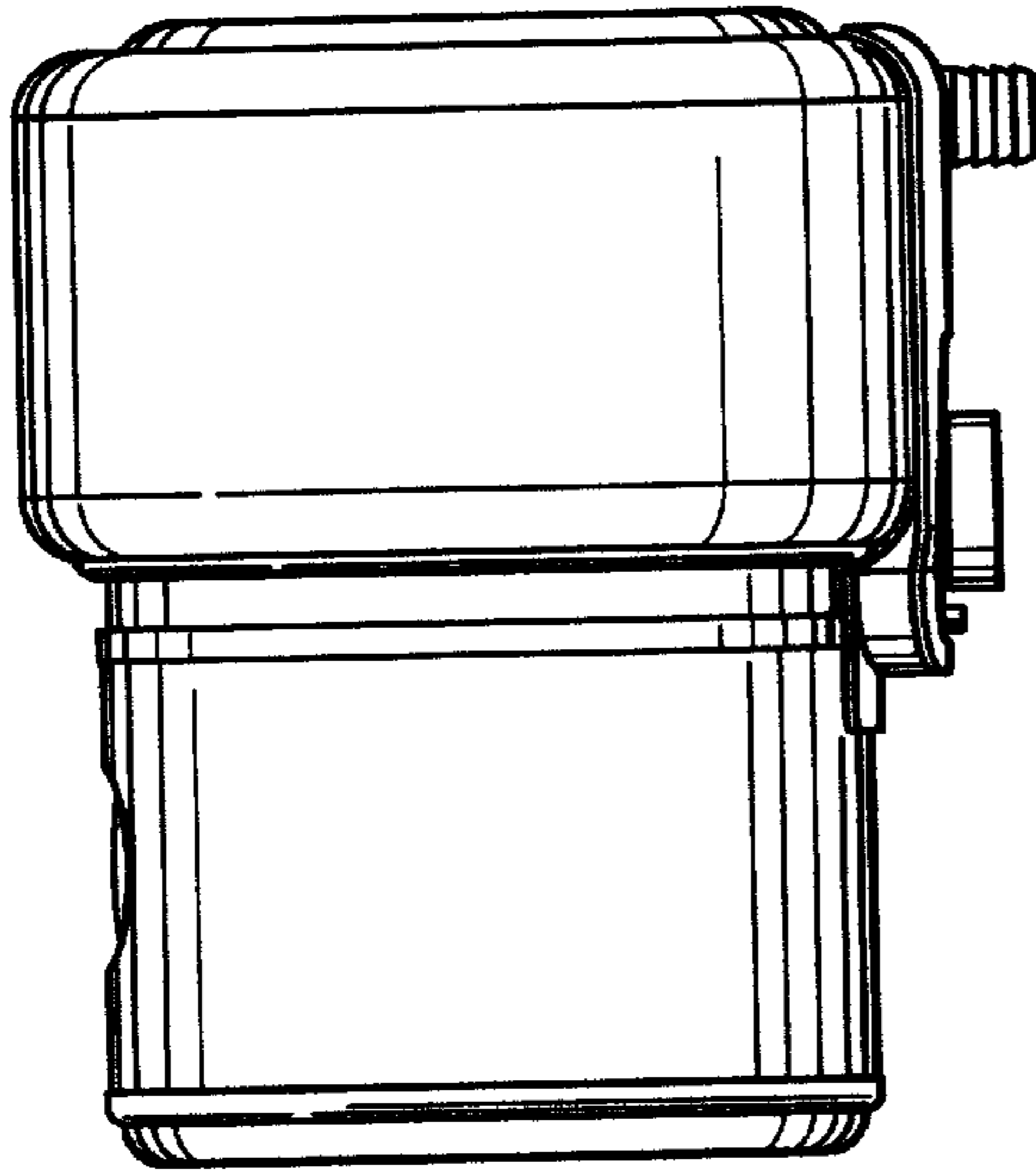


FIG. 5

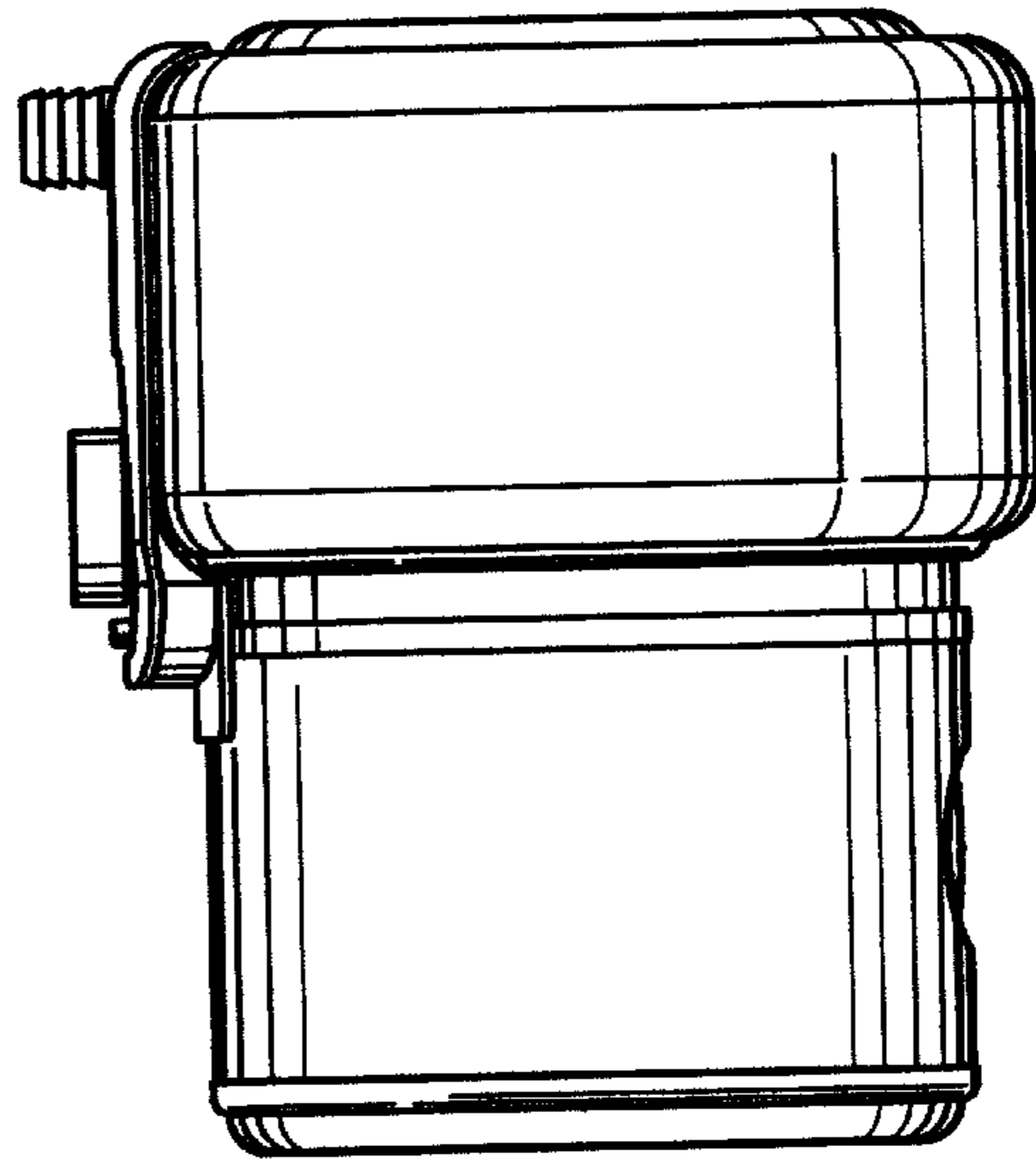


FIG. 6

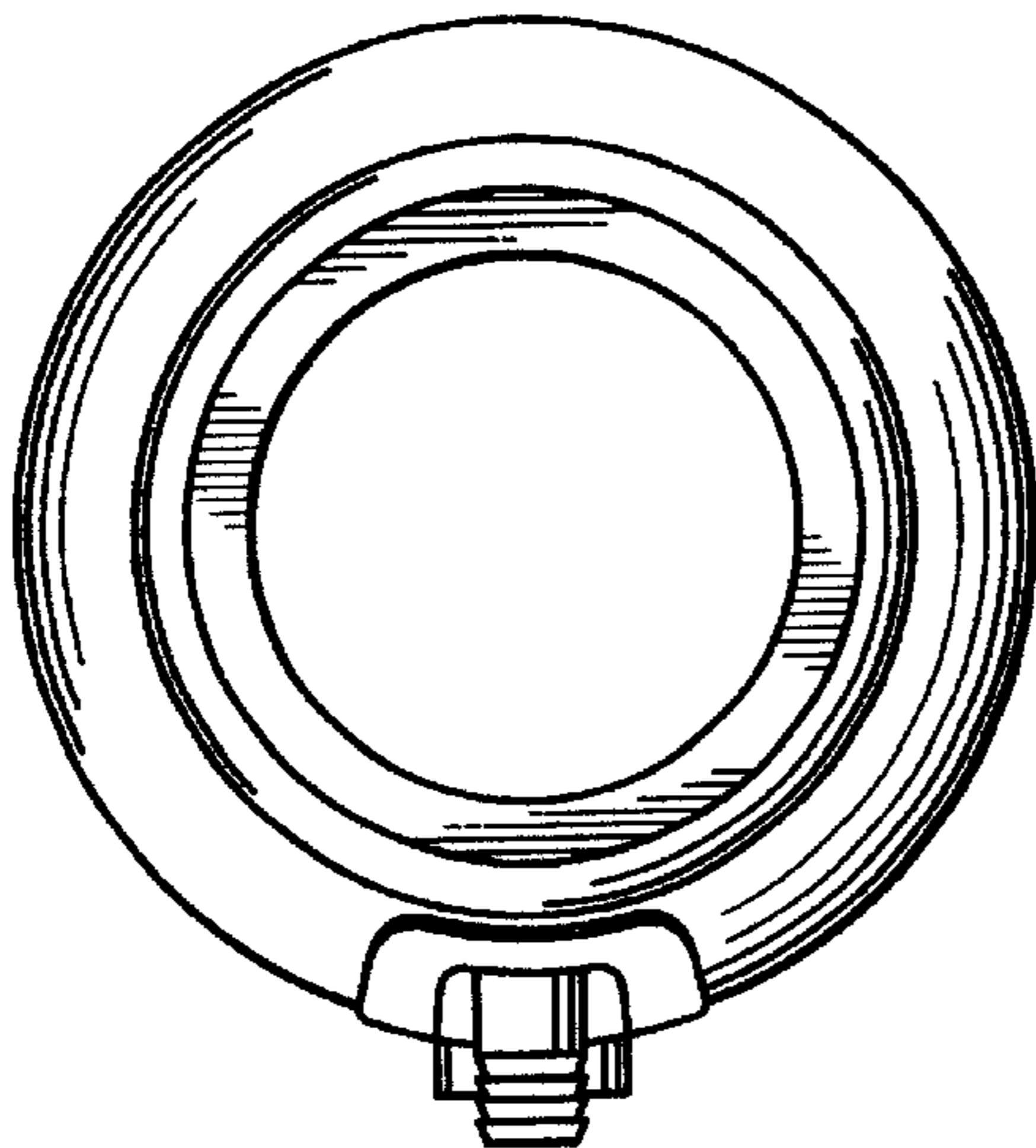


FIG. 7

