

US00D535514S

(12) **United States Design Patent**  
**Cantillo**

(10) **Patent No.:** **US D535,514 S**

(45) **Date of Patent:** **\*\* Jan. 23, 2007**

(54) **COOKING APPARATUS FOR HOTDOGS**

(76) Inventor: **Armando Cantillo**, 201 Taft Blvd.,  
Clewiston, FL (US) 33440

(\*\*) Term: **14 Years**

(21) Appl. No.: **29/233,457**

(22) Filed: **Jul. 5, 2005**

(51) **LOC (8) Cl.** ..... **07-02**

(52) **U.S. Cl.** ..... **D7/338**

(58) **Field of Classification Search** ..... D7/359,  
D7/354, 409, 402, 363, 337, 338; D23/324;  
426/233; 99/425, 441, 340, 423, 445  
See application file for complete search history.

(56) **References Cited**

**U.S. PATENT DOCUMENTS**

2,697,395	A	*	12/1954	Steriss	.....	99/423
3,298,303	A	*	1/1967	Waller	.....	99/423
3,331,308	A	*	7/1967	Hoffert	.....	99/340
3,418,921	A	*	12/1968	Fautz	.....	99/445
4,516,485	A	*	5/1985	Miller	.....	99/339
5,117,748	A	*	6/1992	Costa	.....	99/441
D339,713	S	*	9/1993	Gueringer	.....	D7/354
D340,835	S	*	11/1993	Lupa et al.	.....	D7/409
D414,074	S	*	9/1999	Jalayer	.....	D7/402
6,024,014	A	*	2/2000	Kasai	.....	99/425
D432,852	S	*	10/2000	Mosher et al.	.....	D7/337

D471,397	S	*	3/2003	Wright	.....	D7/359
D484,737	S	*	1/2004	Bodum	.....	D7/337
6,800,314	B1	*	10/2004	Evans et al.	.....	426/233
D497,769	S	*	11/2004	Steinberg et al.	.....	D7/363
D505,044	S	*	5/2005	Hei	.....	D7/363
D515,864	S	*	2/2006	Elnekaveh	.....	D7/338

\* cited by examiner

*Primary Examiner*—Louis S. Zarfaz

*Assistant Examiner*—Anna K. Dworzecka

(74) *Attorney, Agent, or Firm*—Albert Bordas

(57) **CLAIM**

The ornamental design for the cooking apparatus for hotdogs, as shown and described.

**DESCRIPTION**

FIG. 1 is a top plan view of a cooking apparatus for hotdogs showing my new design;

FIG. 2 is a bottom plan view thereof;

FIG. 3 is a left side elevational view thereof;

FIG. 4 is a right side elevational view thereof;

FIG. 5 is a front side elevational view thereof;

FIG. 6 is a rear side elevational view thereof; and,

FIG. 7 is a perspective view of the cooking apparatus for hotdogs in condition of use cooking at least one hotdog.

The broken lines are for environmental purposes only and form no part of the claimed design.

**1 Claim, 3 Drawing Sheets**

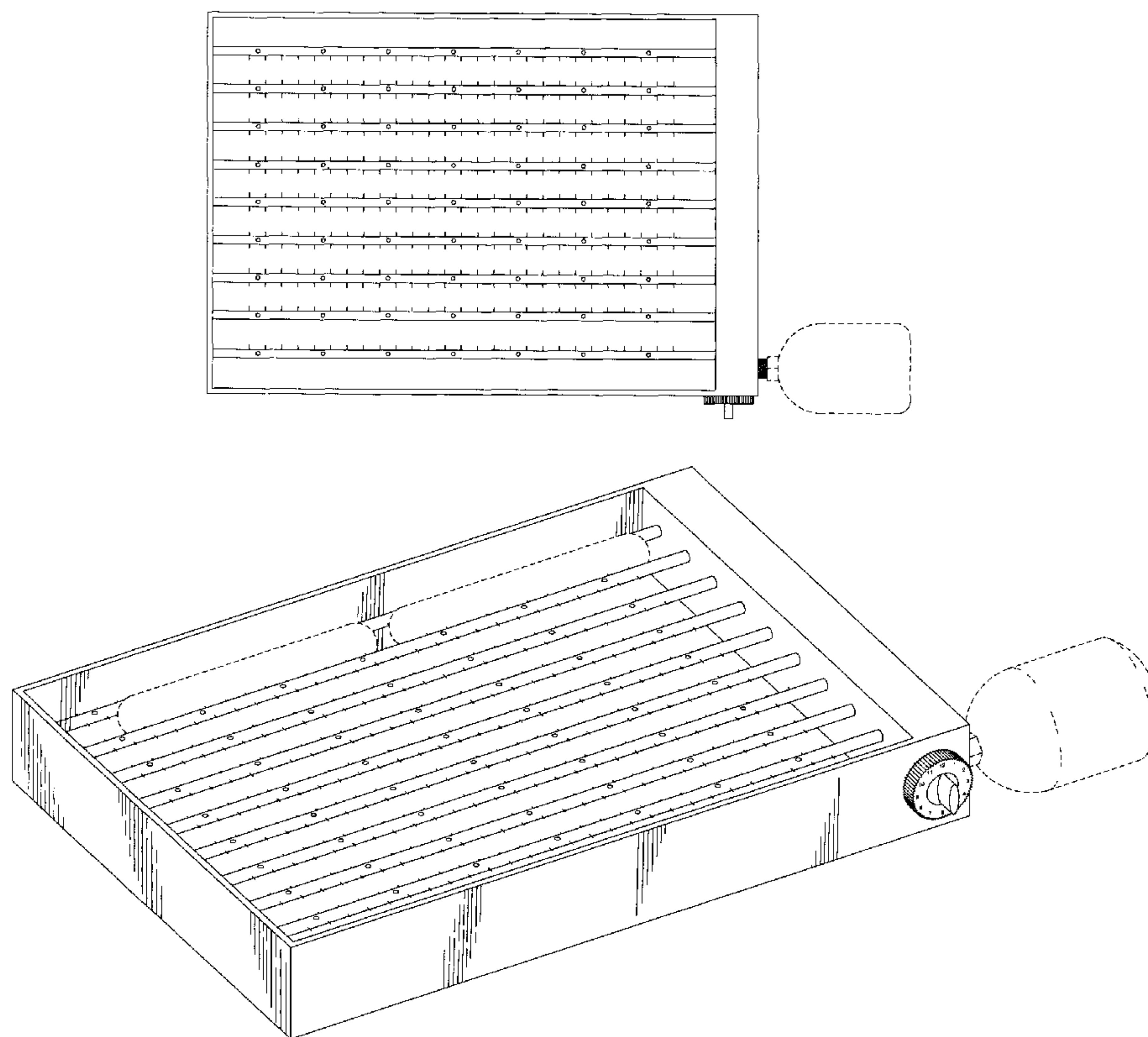


Fig 1

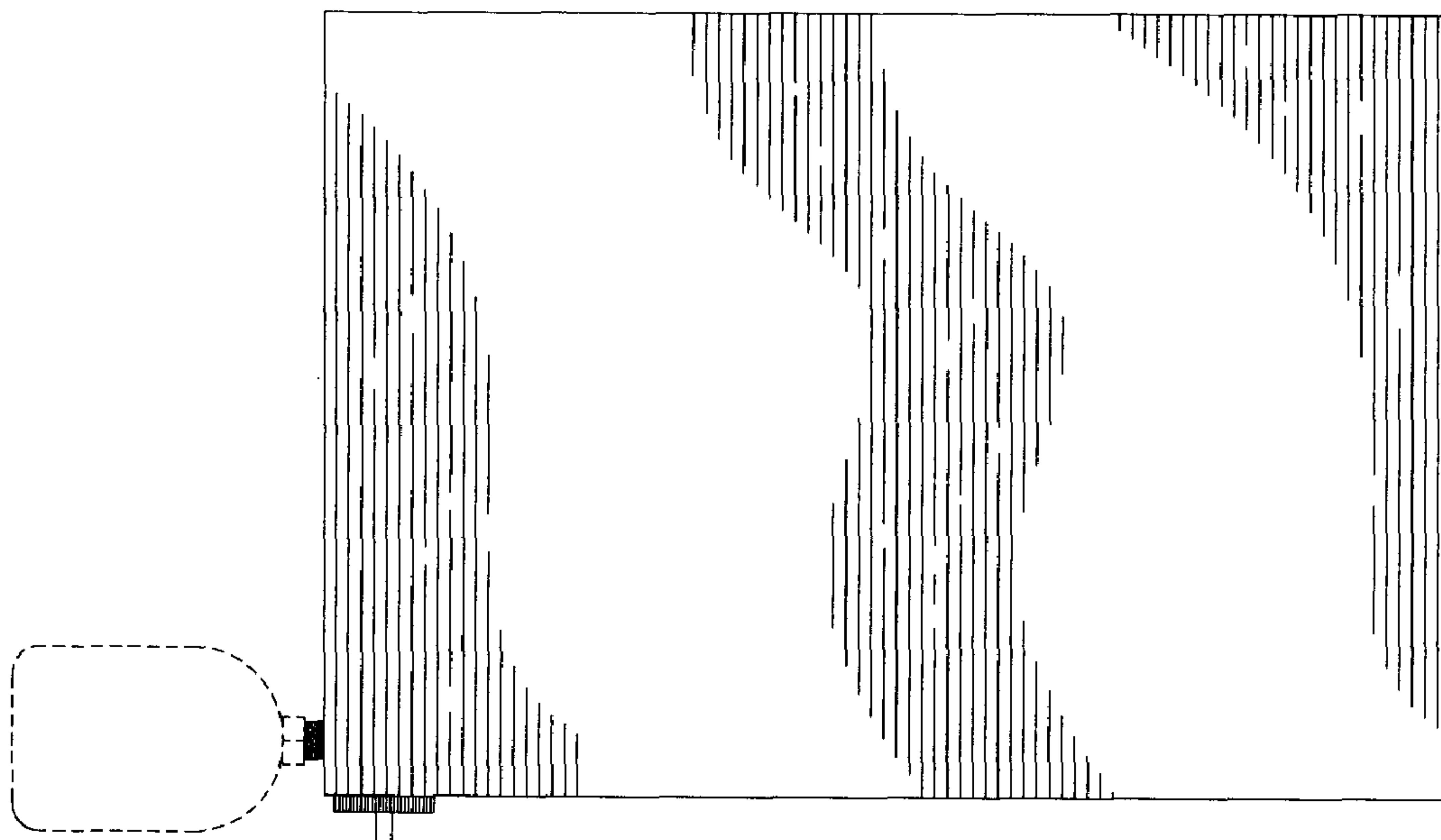
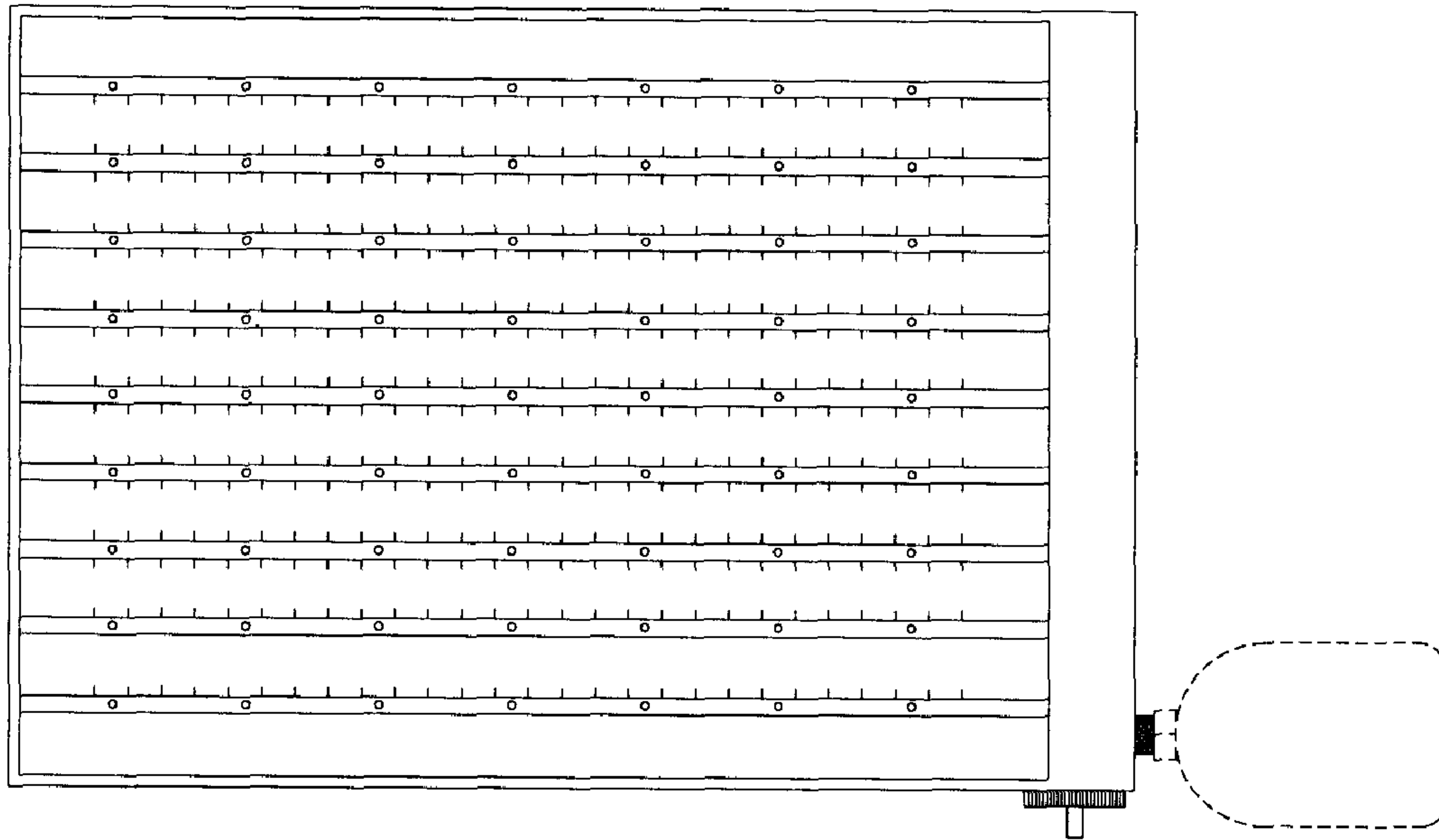


Fig 2

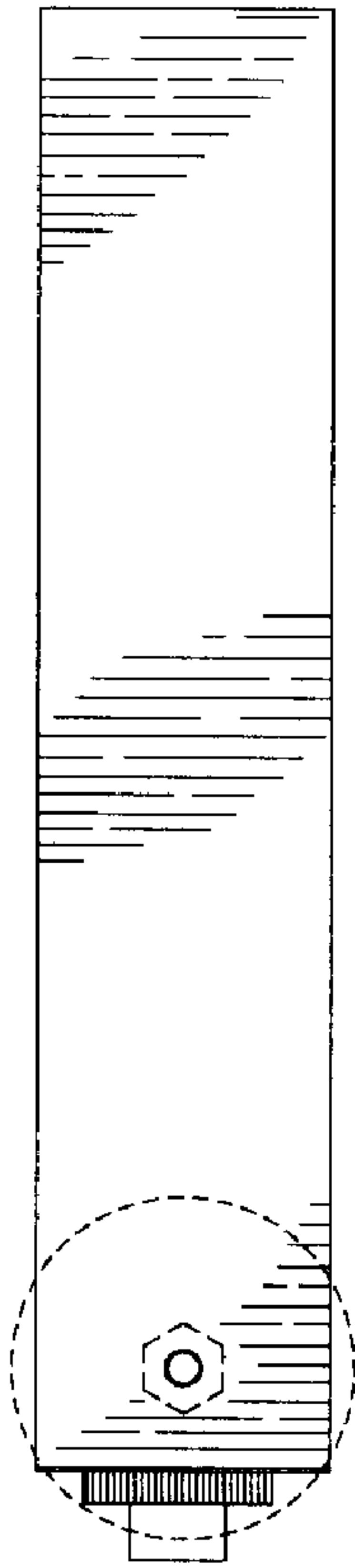


Fig 3

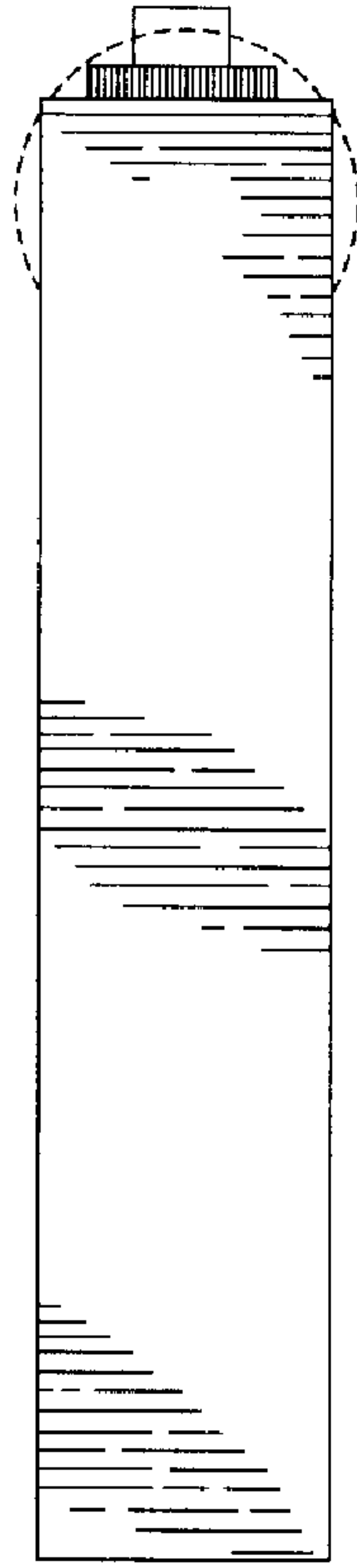


Fig 4

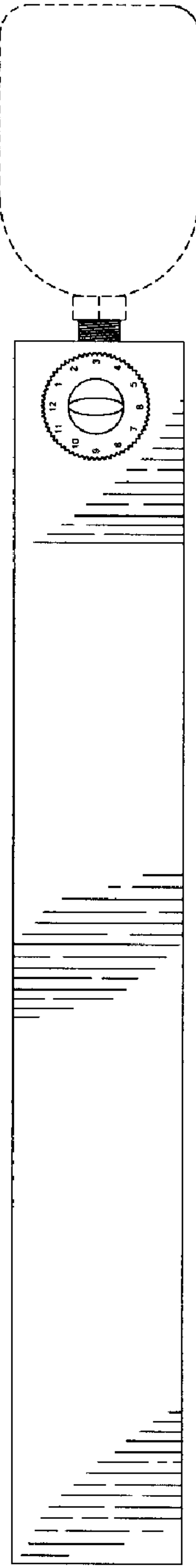


Fig 5

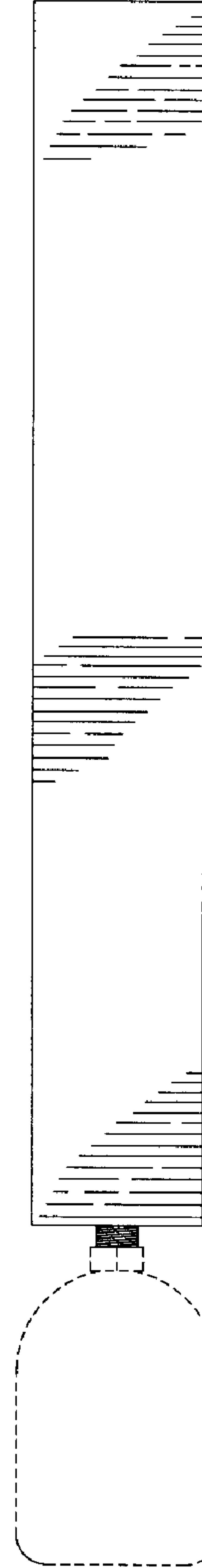


Fig 6

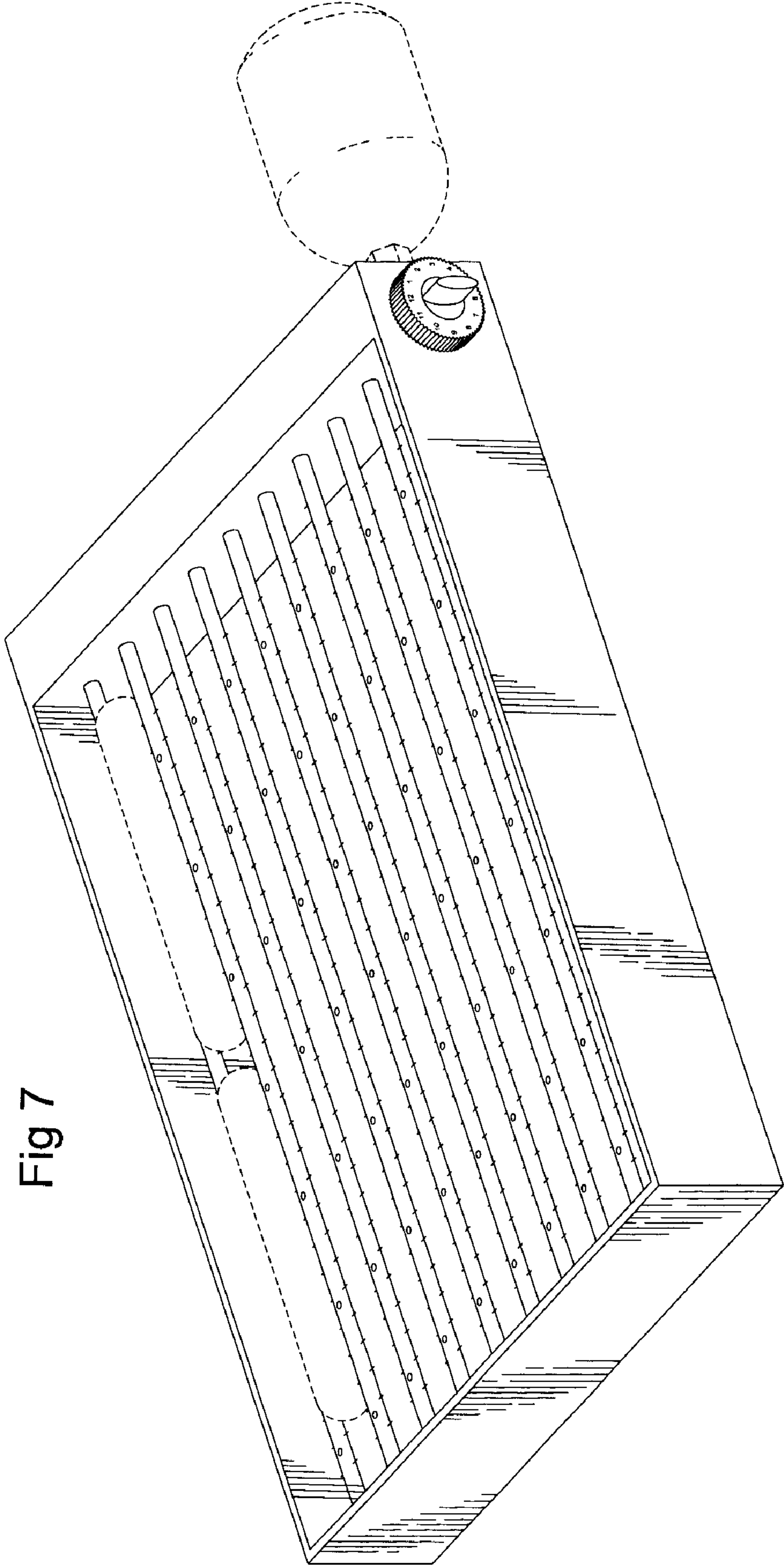


Fig 7