



US00D535513S

(12) **United States Design Patent**  
**Zimmermann**

(10) **Patent No.:** **US D535,513 S**  
(45) **Date of Patent:** **\*\* Jan. 23, 2007**

(54) **COFFEE ESPRESSO MACHINE**

(76) Inventor: **Dirk Hagen Zimmermann**, Im Spich  
18, D-40489 Dusseldorf (DE)

(\*\*) Term: **14 Years**

(21) Appl. No.: **29/246,399**

(22) Filed: **Apr. 7, 2006**

D385,455 S	*	10/1997	Cortese	.....	D7/309
D390,060 S	*	2/1998	Seiffert	.....	D7/309
D424,361 S	*	5/2000	Kuboyama	.....	D7/309
D444,986 S	*	7/2001	Smith et al.	.....	D7/311
D449,198 S	*	10/2001	Cahen	.....	D7/309
D481,580 S	*	11/2003	Daniels et al.	.....	D7/309
D486,346 S	*	2/2004	Jonsson	.....	D7/309
D495,189 S	*	8/2004	Cahen	.....	D7/309
D496,553 S	*	9/2004	Bodum	.....	D7/309
D513,572 S	*	1/2006	Schaffeld et al.	.....	D7/309

\* cited by examiner

**Related U.S. Application Data**

(62) Division of application No. 29/226,067, filed on Mar. 23, 2005.

(30) **Foreign Application Priority Data**

Sep. 24, 2004 (DE) ..... 404 05 486

(51) **LOC (8) Cl.** ..... **07-01**

(52) **U.S. Cl.** ..... **D7/309; D7/311**

(58) **Field of Classification Search** ..... D7/309-311,  
D7/305, 300; 222/146.6, 130, 129.1; 99/275,  
99/289 P, 288, 323.3, 299; D3/201, 212,  
D3/276, 315

See application file for complete search history.

(56) **References Cited**

**U.S. PATENT DOCUMENTS**

4,644,856 A	*	2/1987	Borgmann	.....	99/295
D355,562 S	*	2/1995	DeFelip	.....	D7/309

*Primary Examiner*—M. N. Pandozzi

(74) *Attorney, Agent, or Firm*—Margaret Polson; Patent Law Offices of Rick Martin, PC

(57) **CLAIM**

The ornamental design for a coffee espresso machine, as shown.

**DESCRIPTION**

FIG. 1 is a front elevation view of a coffee espresso machine showing my new design;

FIG. 2 is a rear elevation view of FIG. 1;

FIG. 3 is a right side elevation view of FIG. 1;

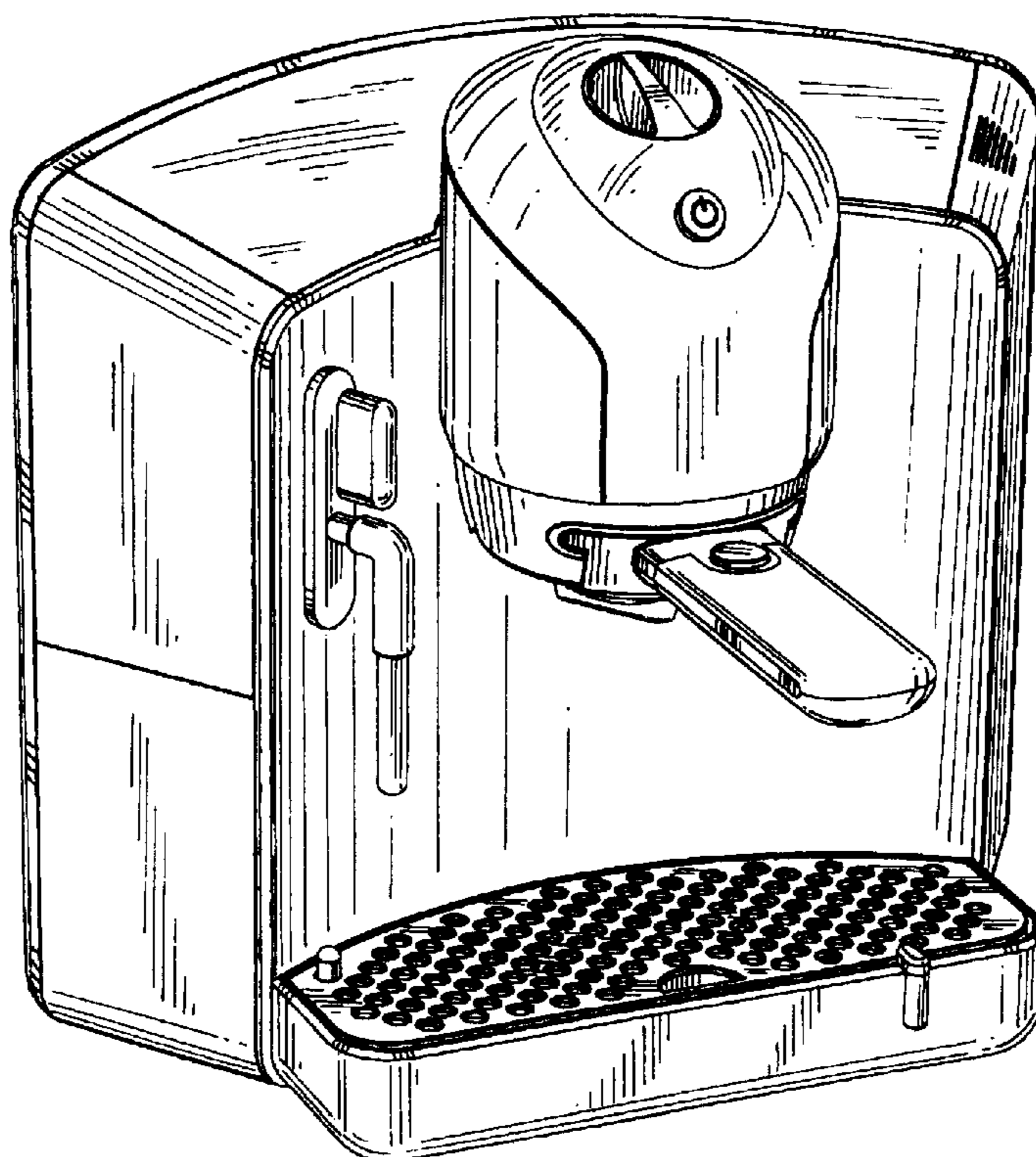
FIG. 4 is a left side elevation view of FIG. 1;

FIG. 5 is a top plan view of FIG. 1;

FIG. 6 is a bottom plan view of FIG. 1; and,

FIG. 7 is a front perspective view of FIG. 1.

**1 Claim, 4 Drawing Sheets**



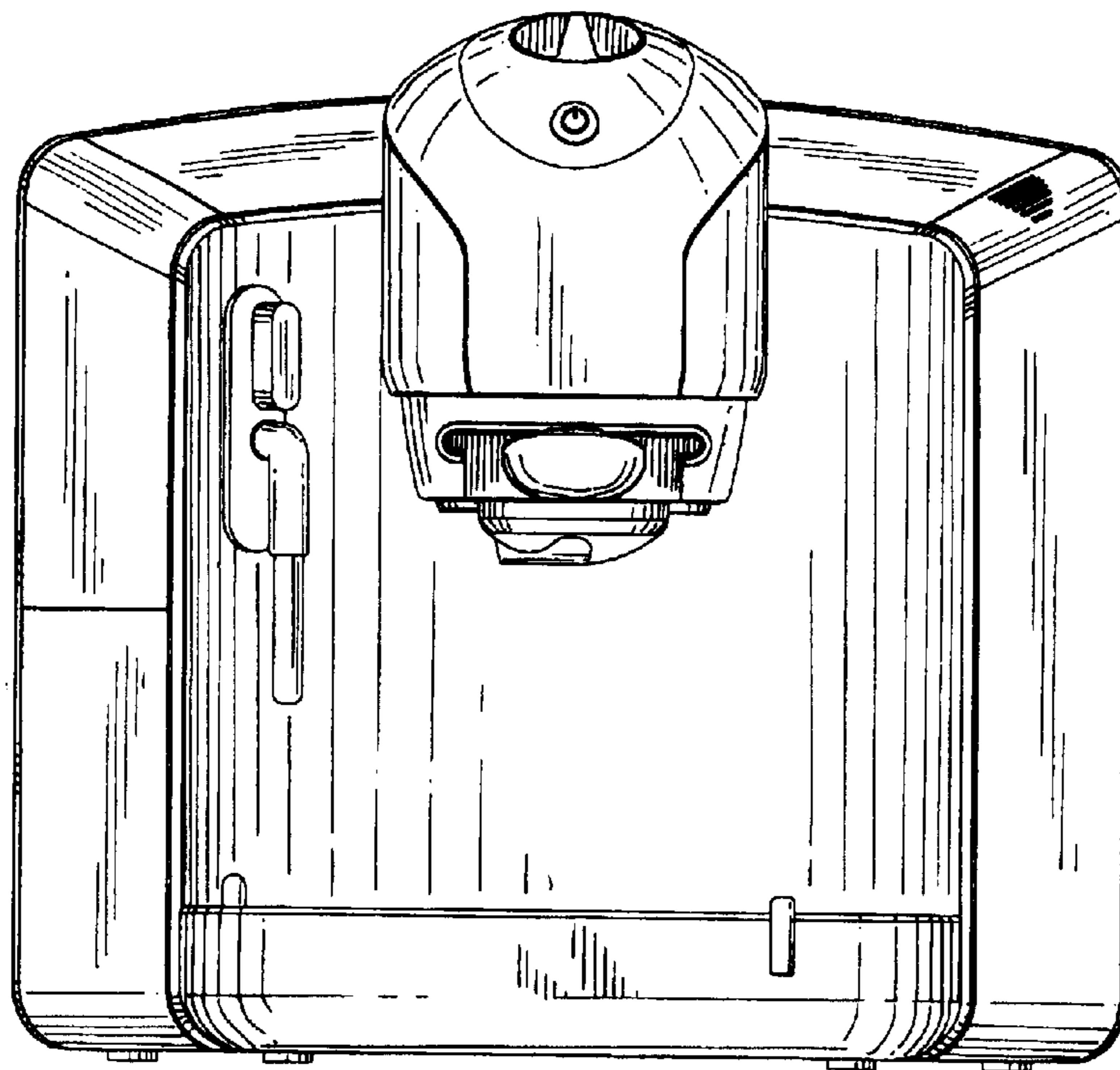


FIG. 1

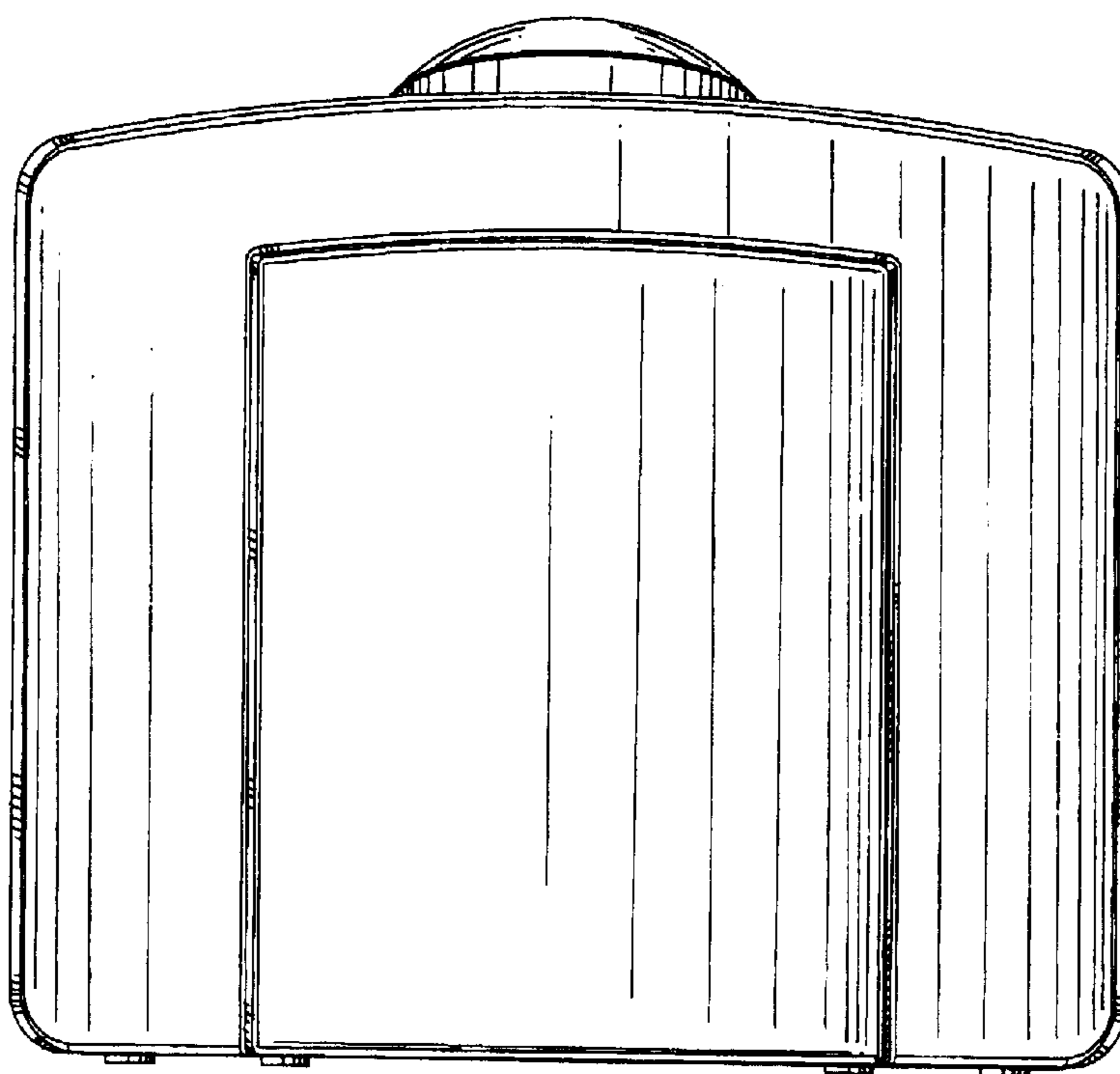


FIG. 2

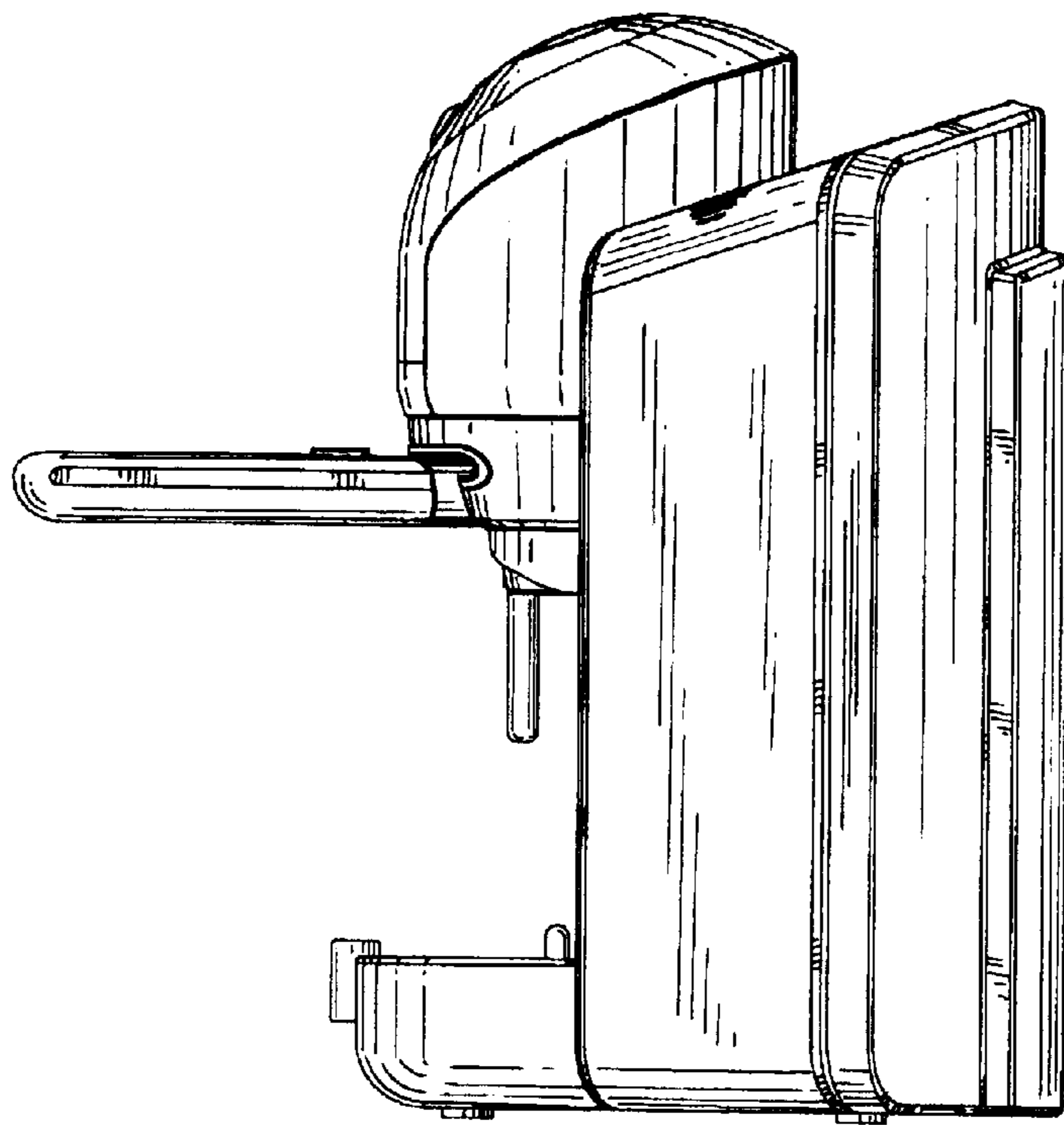


FIG. 3

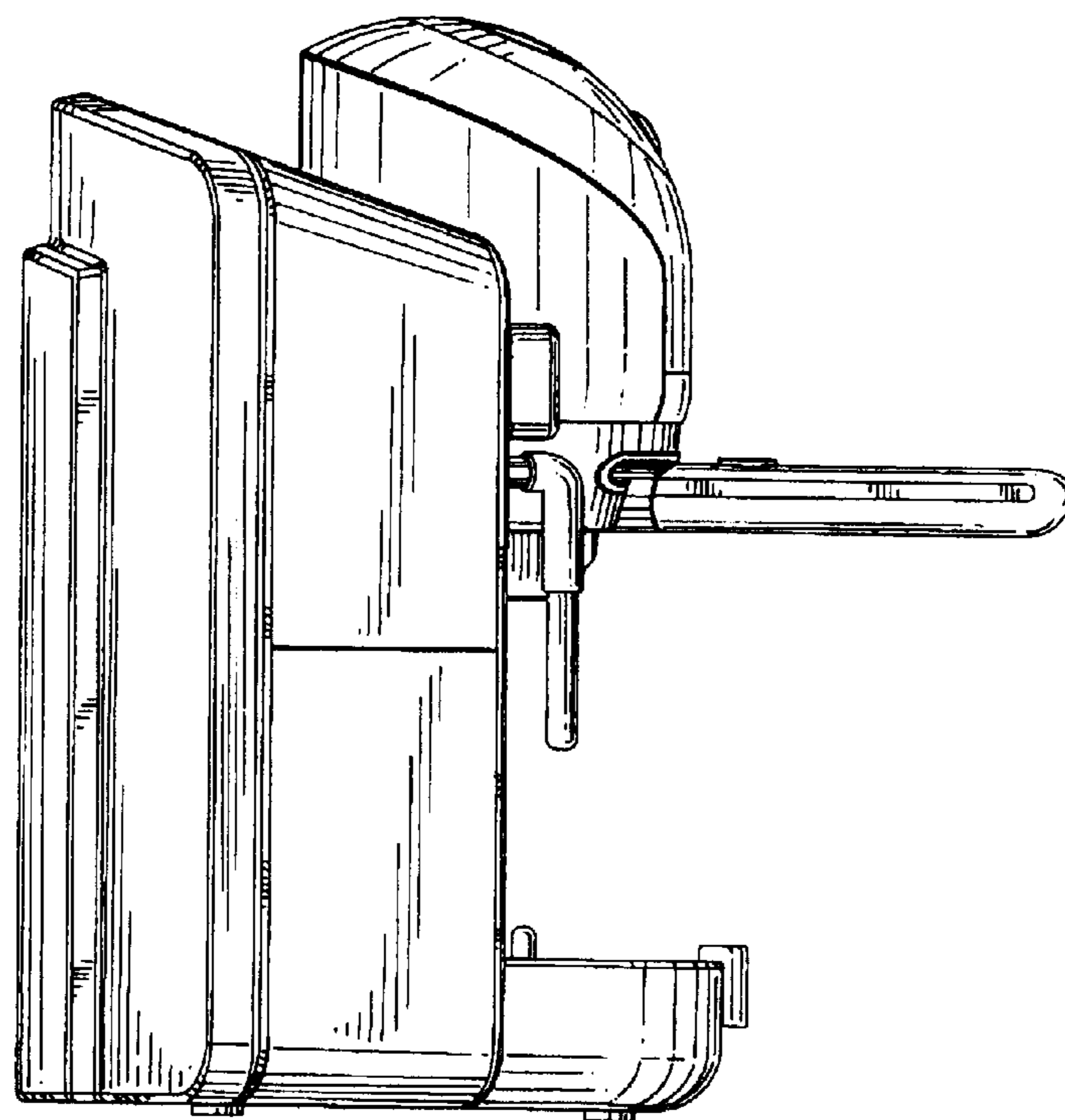


FIG. 4

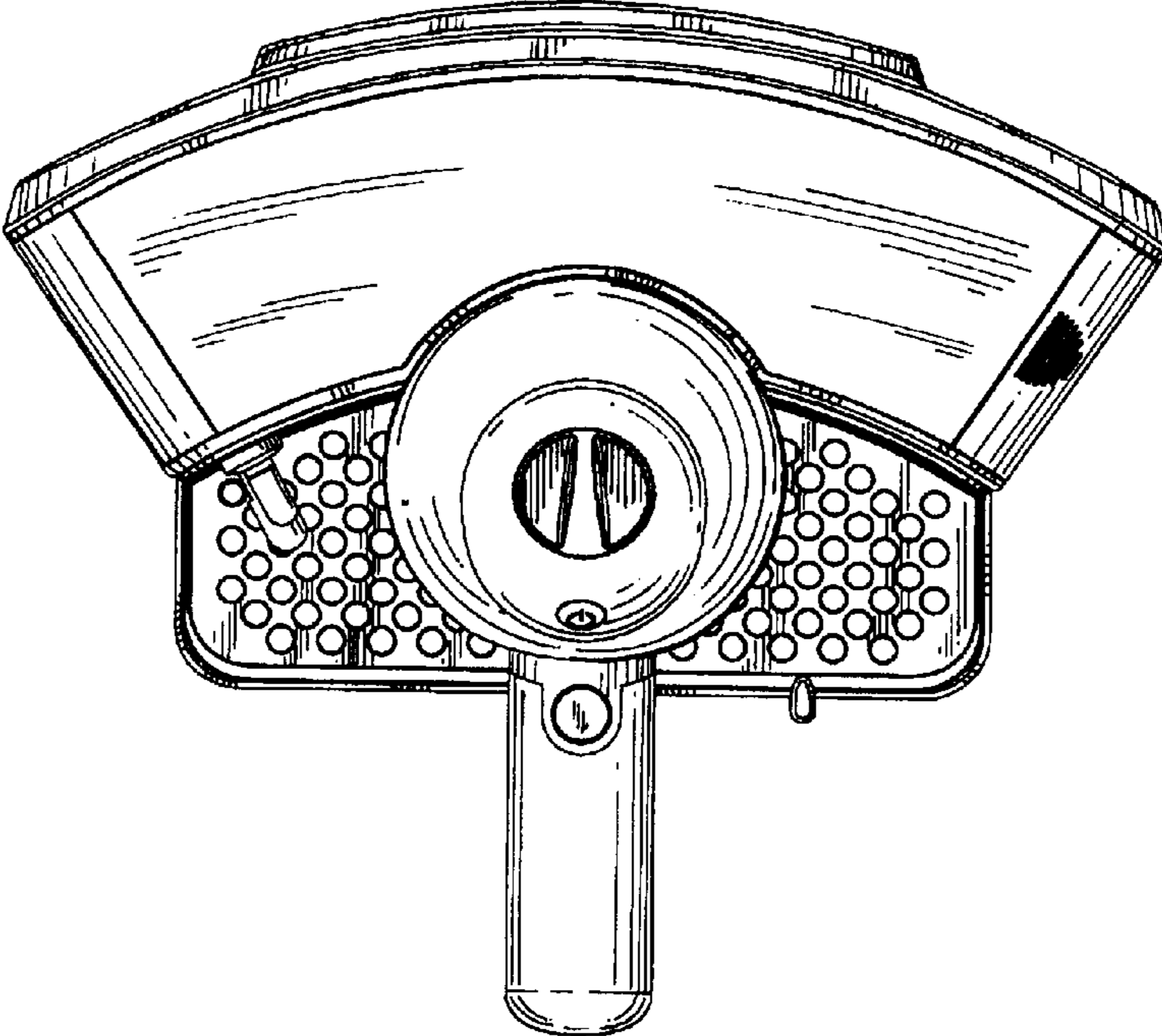


FIG. 5

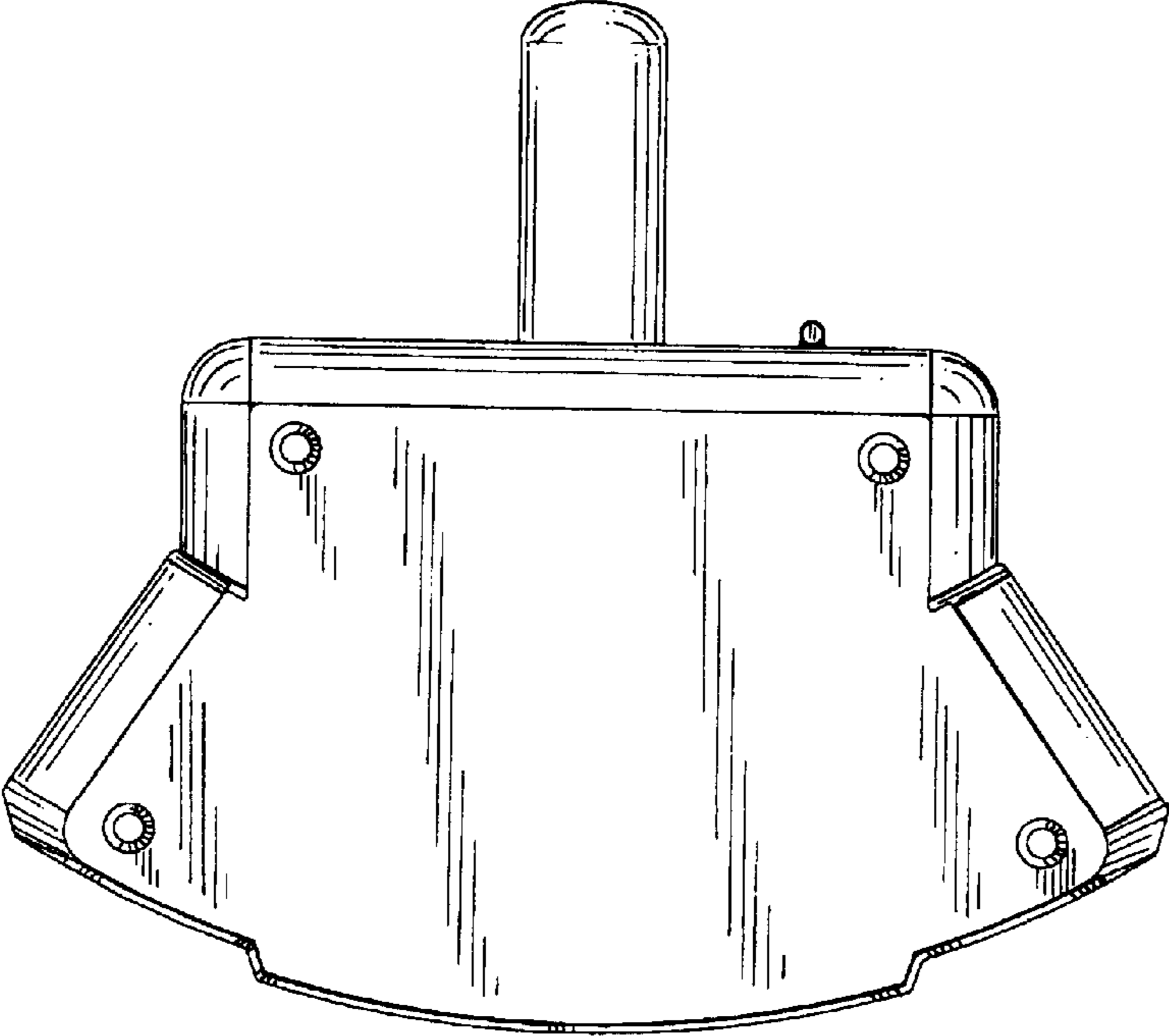


FIG. 6

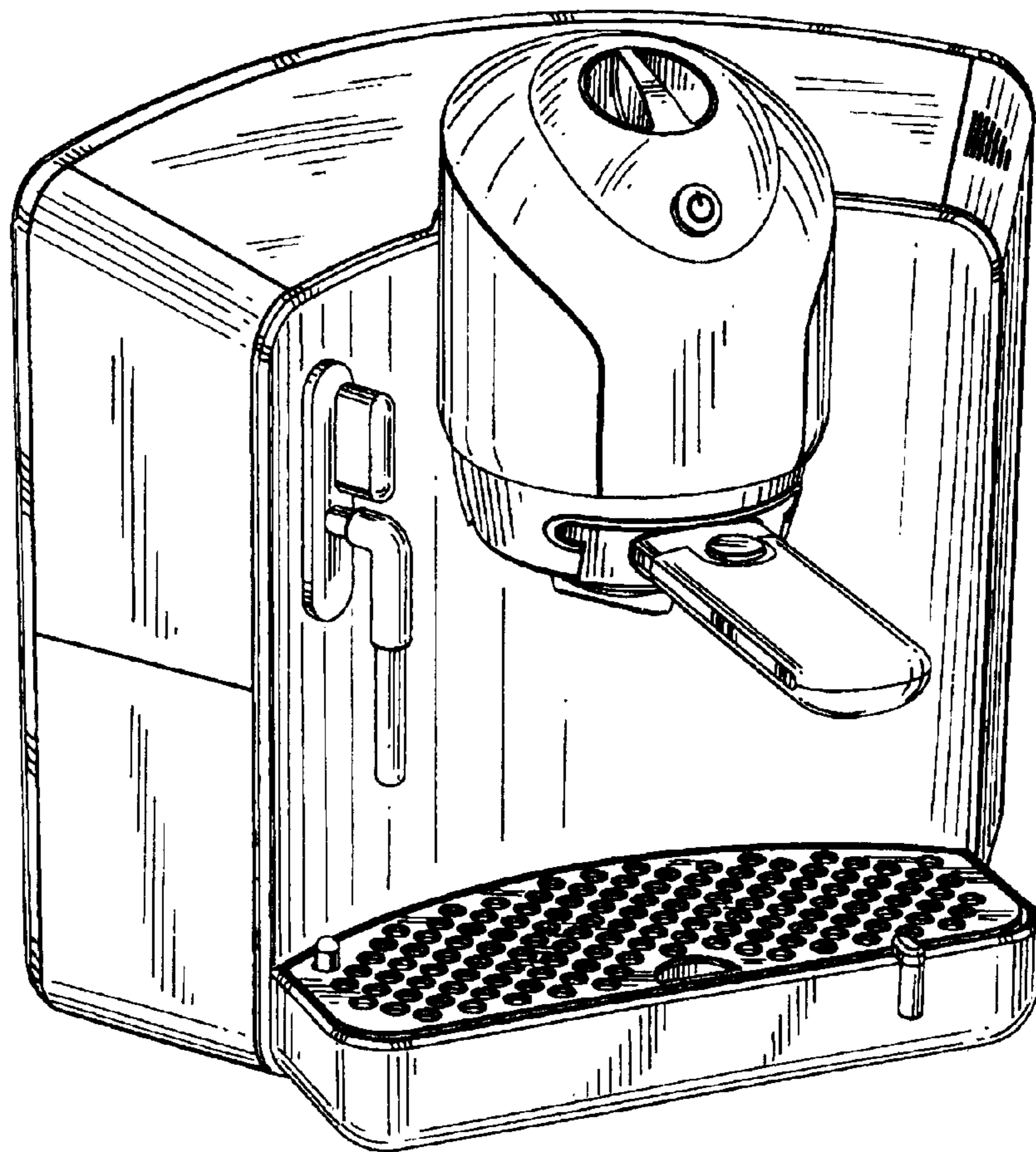


FIG. 7