

US00D535512S

(12) **United States Design Patent**  
**Eastman**

(10) **Patent No.:** **US D535,512 S**

(45) **Date of Patent:** **\*\* Jan. 23, 2007**

(54) **SPORTS EQUIPMENT RACK**

6,216,887 B1 \* 4/2001 Soo ..... 211/205  
6,843,380 B1 \* 1/2005 Fickett ..... 211/22

(76) Inventor: **Scott Eastman**, 13 Wycliffe Bldg.,  
Portsmouth Rd., Guilford, Surrey (GB),  
GU2 4BW

\* cited by examiner

*Primary Examiner*—Brian N Vinson

(\*\*) Term: **14 Years**

(57) **CLAIM**

(21) Appl. No.: **29/212,052**

The ornamental design for a sports equipment rack, as shown and described.

(22) Filed: **Aug. 24, 2004**

**DESCRIPTION**

(51) **LOC (8) Cl.** ..... **08-08**

(52) **U.S. Cl.** ..... **D6/552**

(58) **Field of Classification Search** ..... D6/552,  
D6/566, 410-411, 415, 462, 458; 211/13.1,  
211/85.7, 60.1, 86.01, 107, 119.1, 205, 22  
See application file for complete search history.

FIG. 1 is a perspective view of a sports equipment rack constructed in accordance with the invention;  
FIG. 2 is a right side elevation view of the rack of FIG. 1;  
FIG. 3 is a left side elevation view of the rack of FIG. 1;  
FIG. 4 is a front elevation view of the rack of FIG. 1, the rear being a mirror image of the front;  
FIG. 5 is a top plan view of the rack of FIG. 1; and,  
FIG. 6 is a bottom plan view of the rack of FIG. 1.

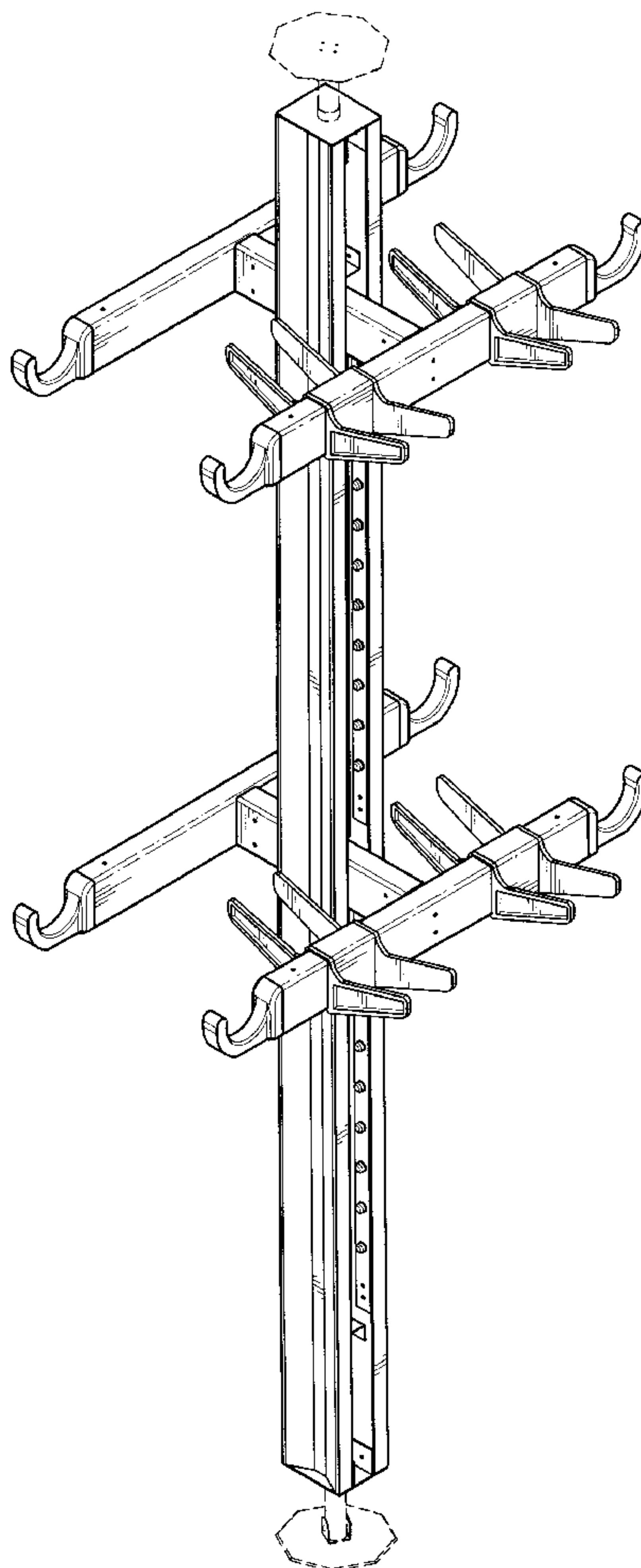
(56) **References Cited**

**U.S. PATENT DOCUMENTS**

4,865,283 A \* 9/1989 Parker ..... 211/205  
5,657,884 A \* 8/1997 Zilincar, III ..... 211/86.01  
D394,926 S \* 6/1998 Lindsay ..... D6/552  
D398,469 S \* 9/1998 Leong et al. .... D6/552

The broken-line disclosure in the views is understood to be for illustrative purposes only and forms no part of the claimed design.

**1 Claim, 3 Drawing Sheets**



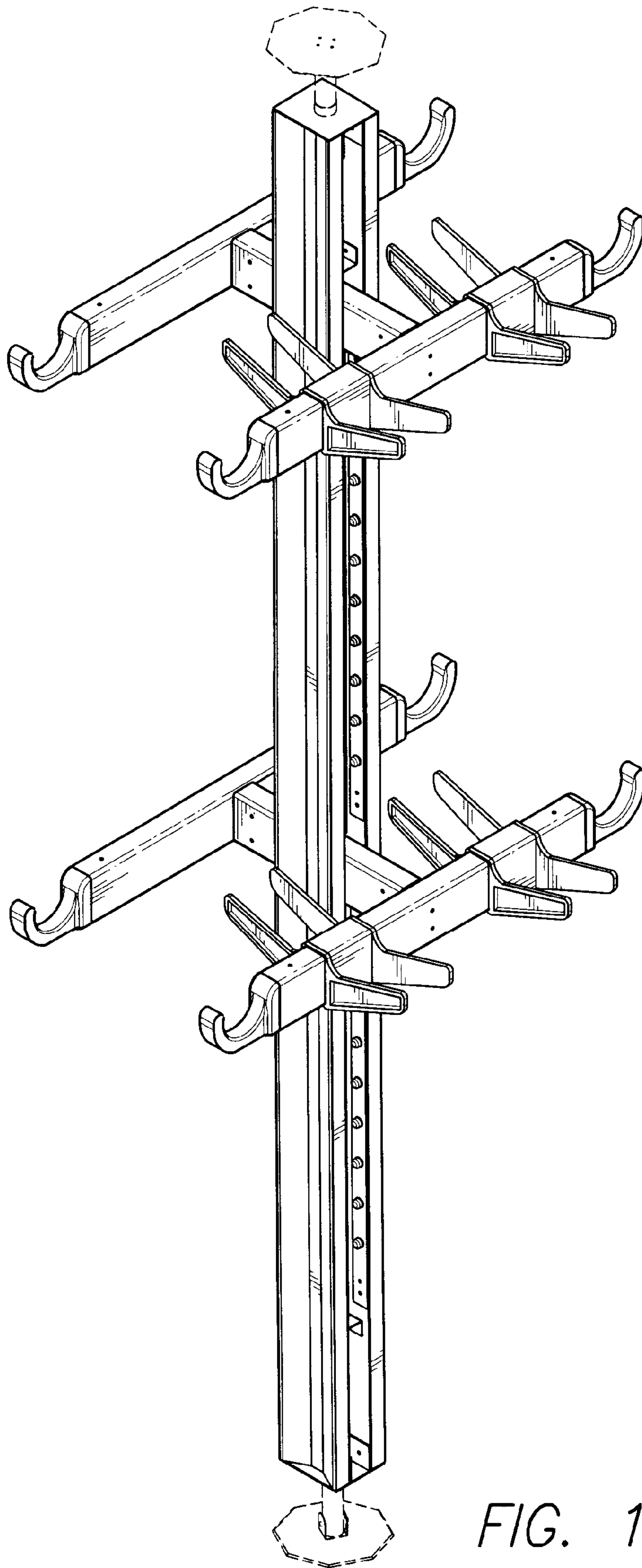


FIG. 1

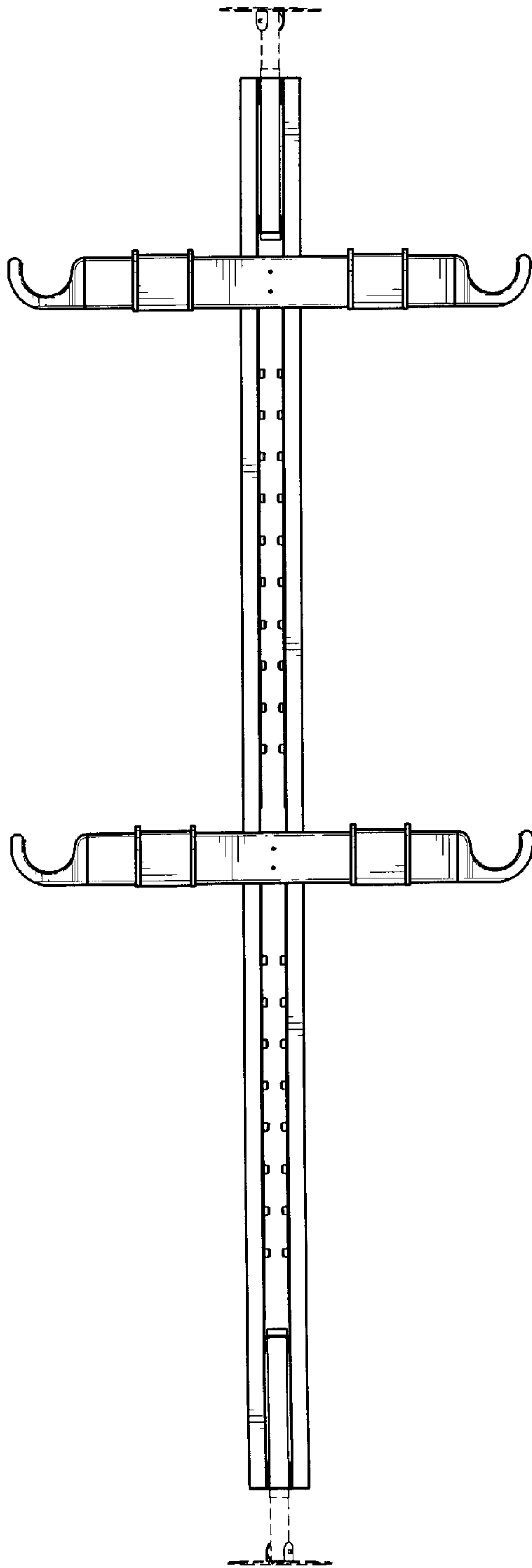


FIG. 2

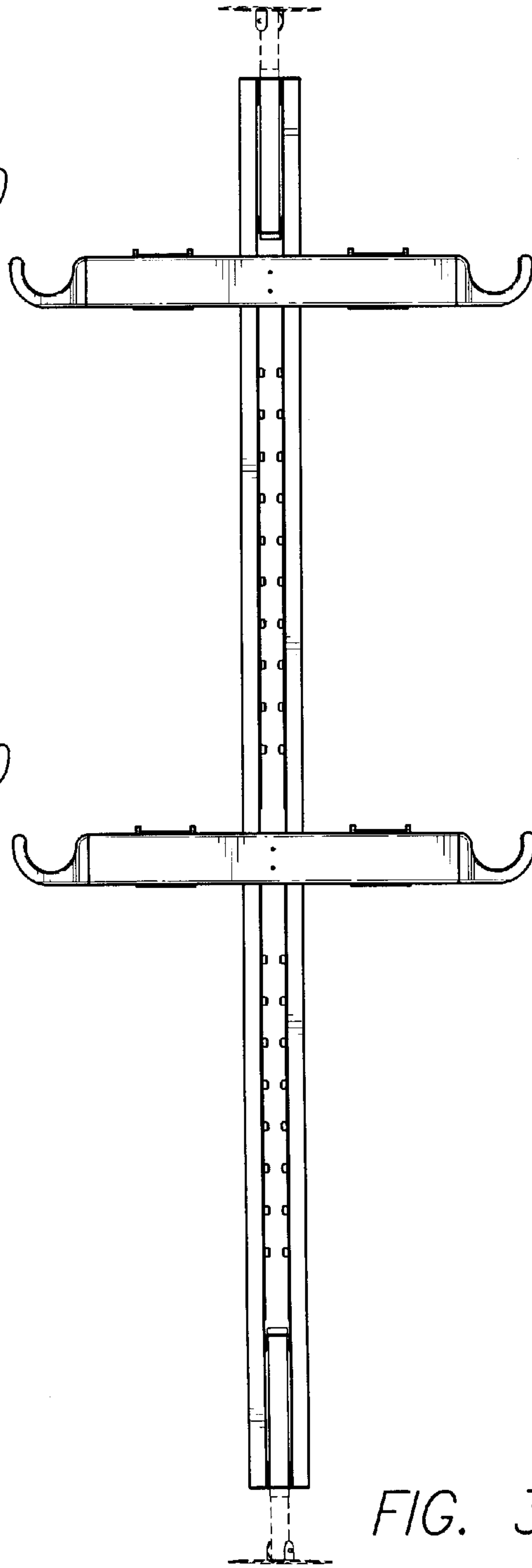


FIG. 3

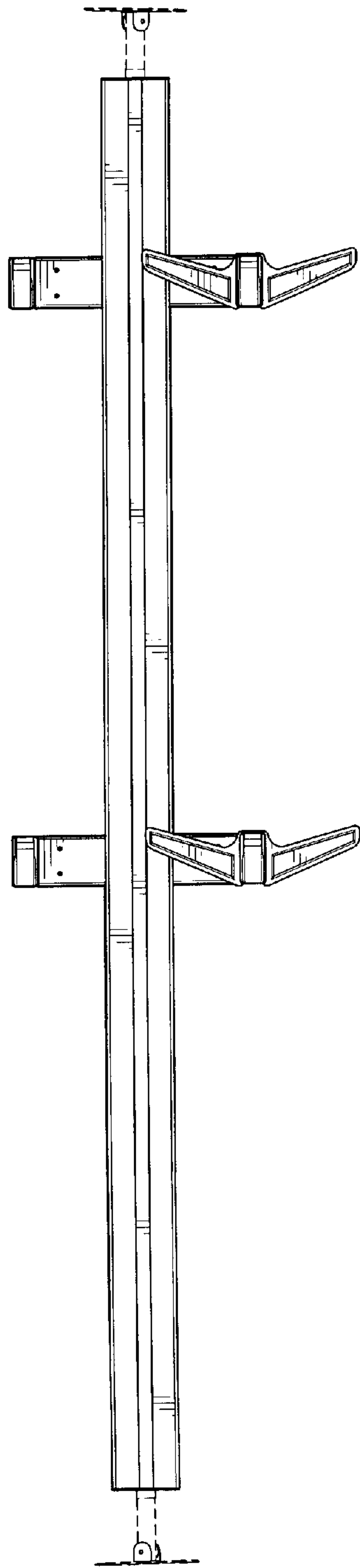


FIG. 4

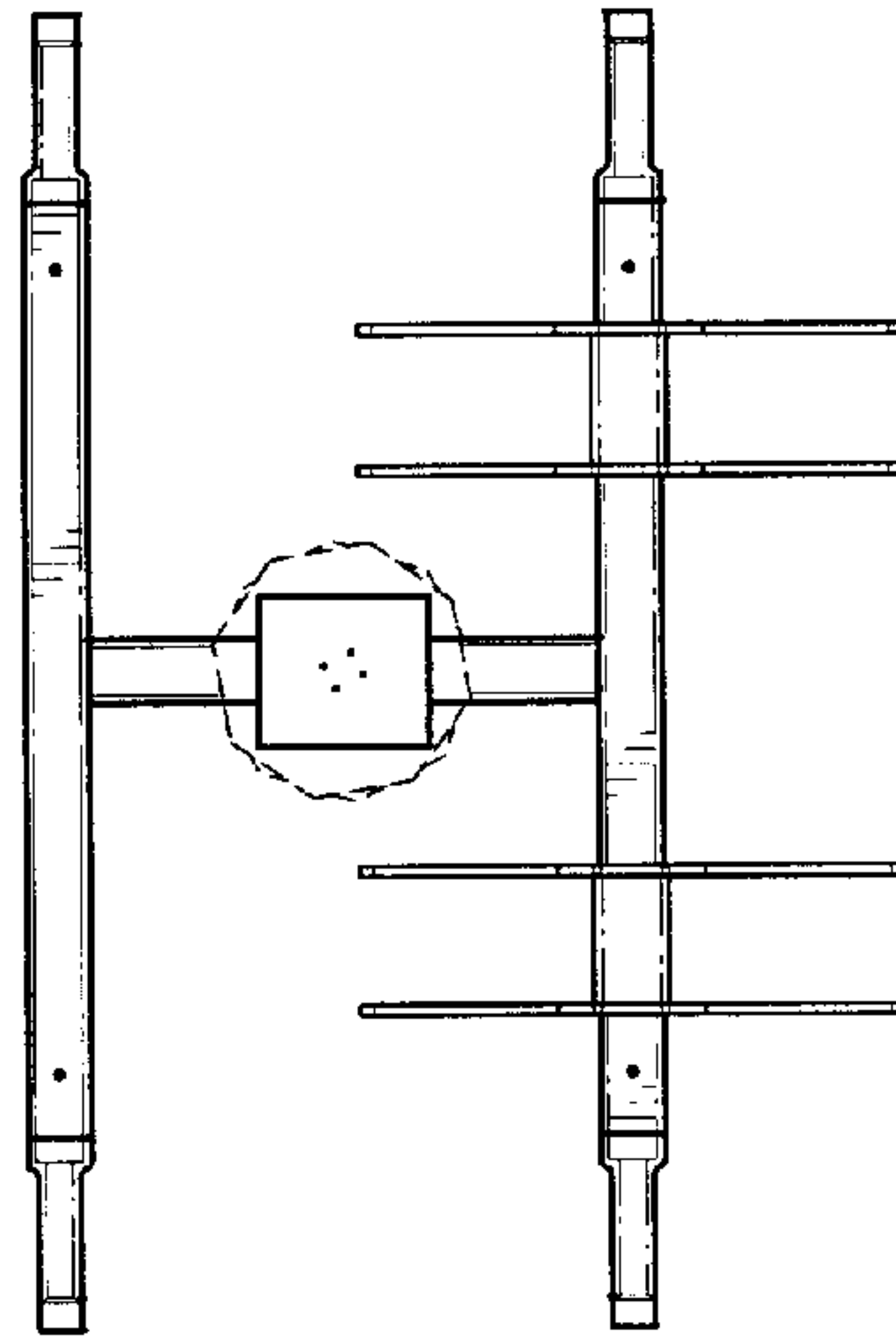


FIG. 5

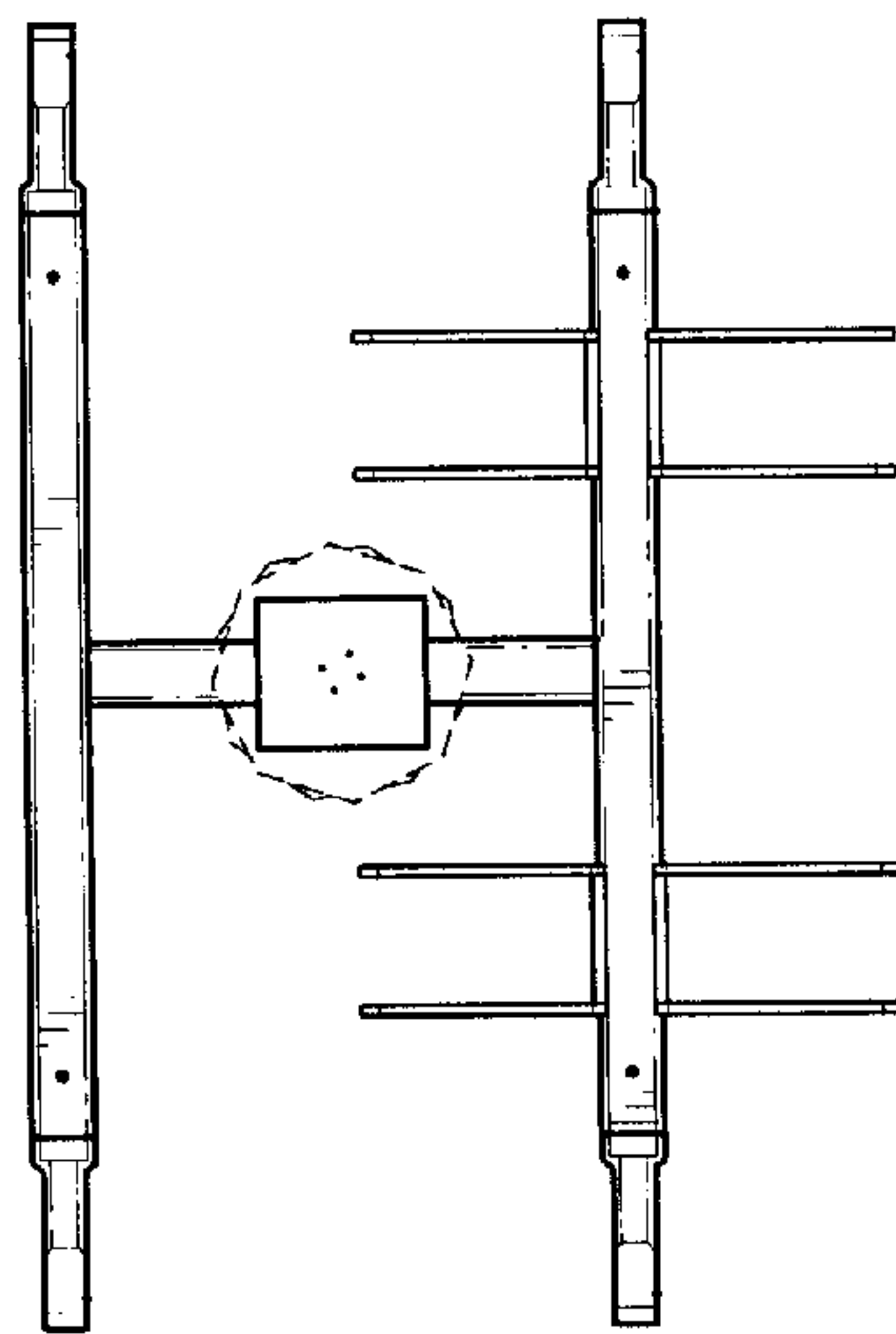


FIG. 6