



US00D535511S

(12) **United States Design Patent**
Peffley

(10) **Patent No.:** **US D535,511 S**

(45) **Date of Patent:** **** Jan. 23, 2007**

(54) **BOWLING BALL RACK**

(76) Inventor: **Michael E. Peffley**, 30745 Charla La.,
Osceola, IN (US) 46516

(**) Term: **14 Years**

(21) Appl. No.: **29/211,168**

(22) Filed: **Aug. 11, 2004**

(51) **LOC (8) Cl.** **08-08**

(52) **U.S. Cl.** **D6/552**

(58) **Field of Classification Search** D6/552,
D6/396, 397, 449, 455, 458; D21/785; 108/28,
108/59, 91, 150; 206/315.91; 211/13.1, 14;
248/309.1

See application file for complete search history.

(56) **References Cited**

U.S. PATENT DOCUMENTS

D314,111 S	*	1/1991	Ohno	D6/552
D339,487 S	*	9/1993	Rizzi	D6/486
D365,237 S	*	12/1995	Stirling et al.	D6/552
D367,772 S	*	3/1996	Stirling et al.	D6/552
D377,124 S	*	1/1997	Stirling et al.	D6/552
D412,415 S	*	8/1999	Adler et al.	D6/552
D456,645 S	*	5/2002	Iverson	D6/552
D488,658 S	*	4/2004	Ford et al.	D6/552

OTHER PUBLICATIONS

Essential, pp. 6, 10, 11, by Qubica, published in Italy.
Framework Systems, 2000., p. 3, by Brunswick, published
USA.

* cited by examiner

Primary Examiner—Brian N Vinson

(74) *Attorney, Agent, or Firm*—Botkin & Hall, LLP

(57) **CLAIM**

The ornamental designs for a bowling ball rack, as shown.

DESCRIPTION

FIG. 1 is a front perspective view of a bowling ball rack showing my new design;

FIG. 2 is a left side elevational view thereof, the right side elevational view, front elevational view, and rear elevational view being mirror images thereof and with bowling balls shown in broken line form for illustrative purposes only;

FIG. 3 is a top plan view thereof;

FIG. 4 is a sectional view as seen along line 4—4 of FIG. 2 showing bowling balls in broken line form for illustrative purposes; and

FIG. 5 is a bottom plan view thereof.

FIG. 6 is a front perspective view of another embodiment of a bowling ball rack showing my new design;

FIG. 7 is a left side elevational view thereof, the right side elevational view, front elevational view, and rear elevational view being mirror images thereof, with bowling balls shown in broken line form for illustrative purposes;

FIG. 8 is a top plan view thereof;

FIG. 9 is a sectional view as seen along 9—9 of FIG. 7 showing bowling balls in broken line form for illustrative purposes; and,

FIG. 10 is a bottom plan view thereof.

Selective views include in broken lines bowling balls which the rack is designed to support, such broken lines being used to show a visible environmental structure which is not part of the invention.

1 Claim, 2 Drawing Sheets

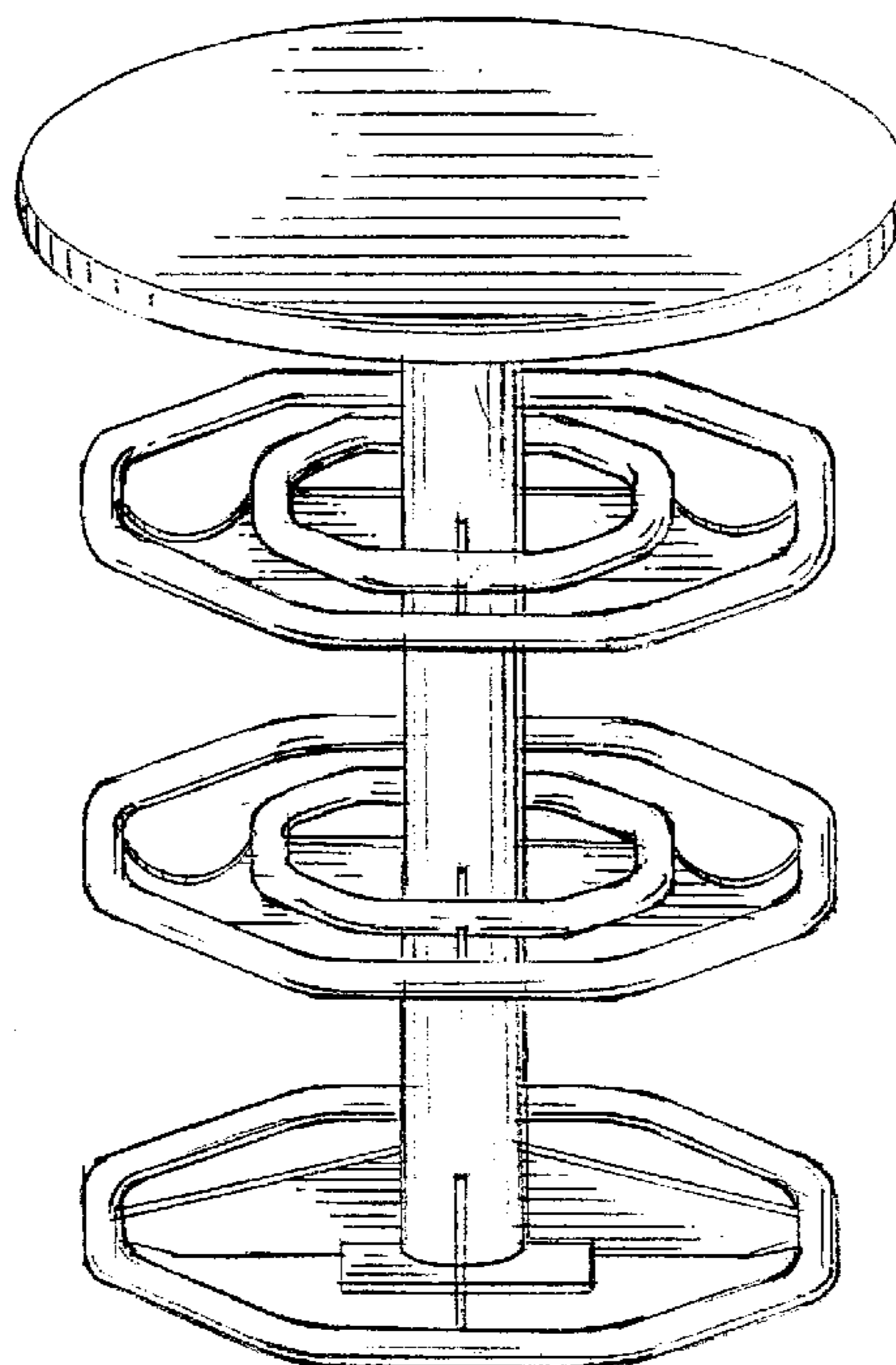


FIG. 1

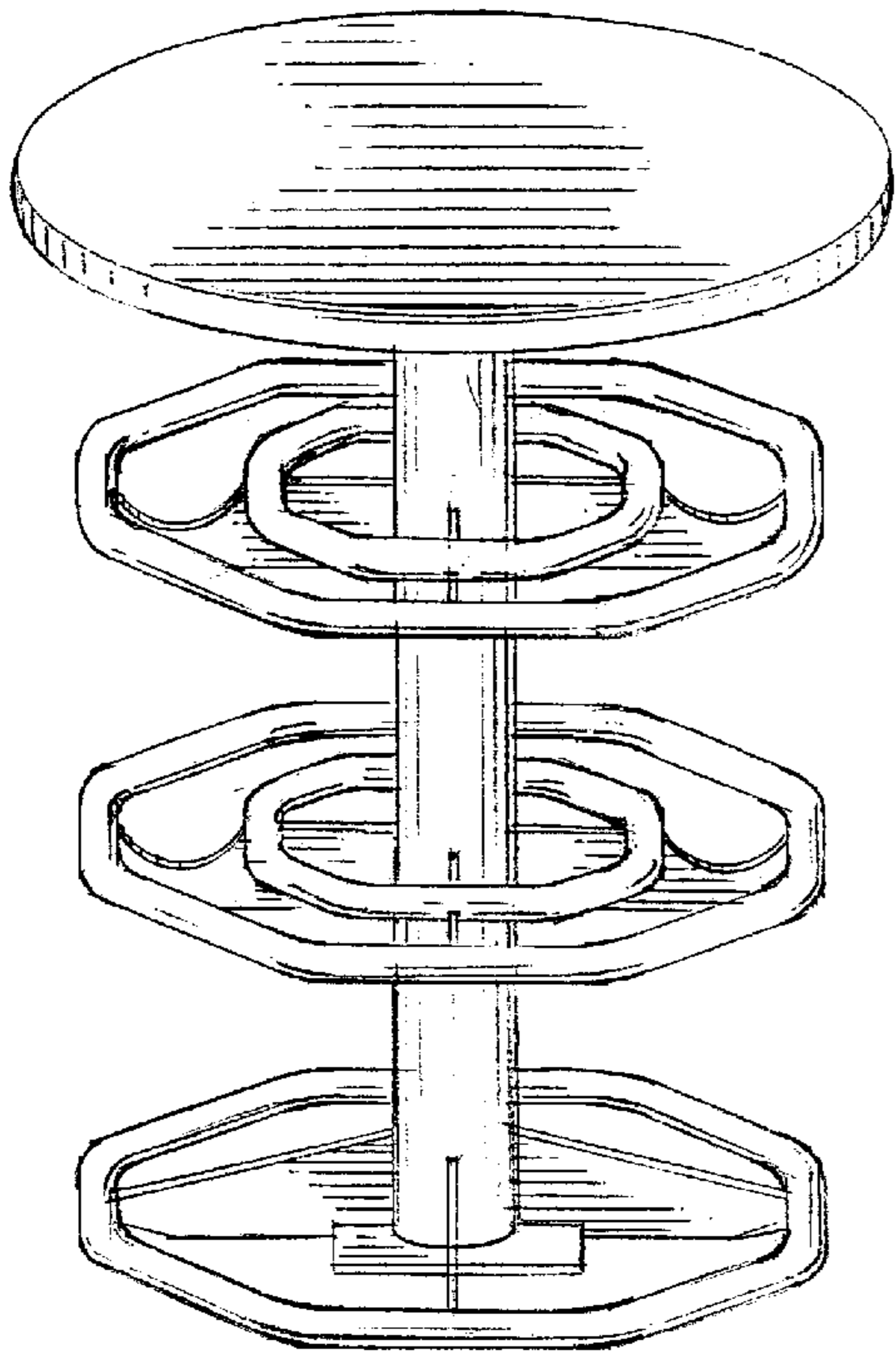


FIG. 2

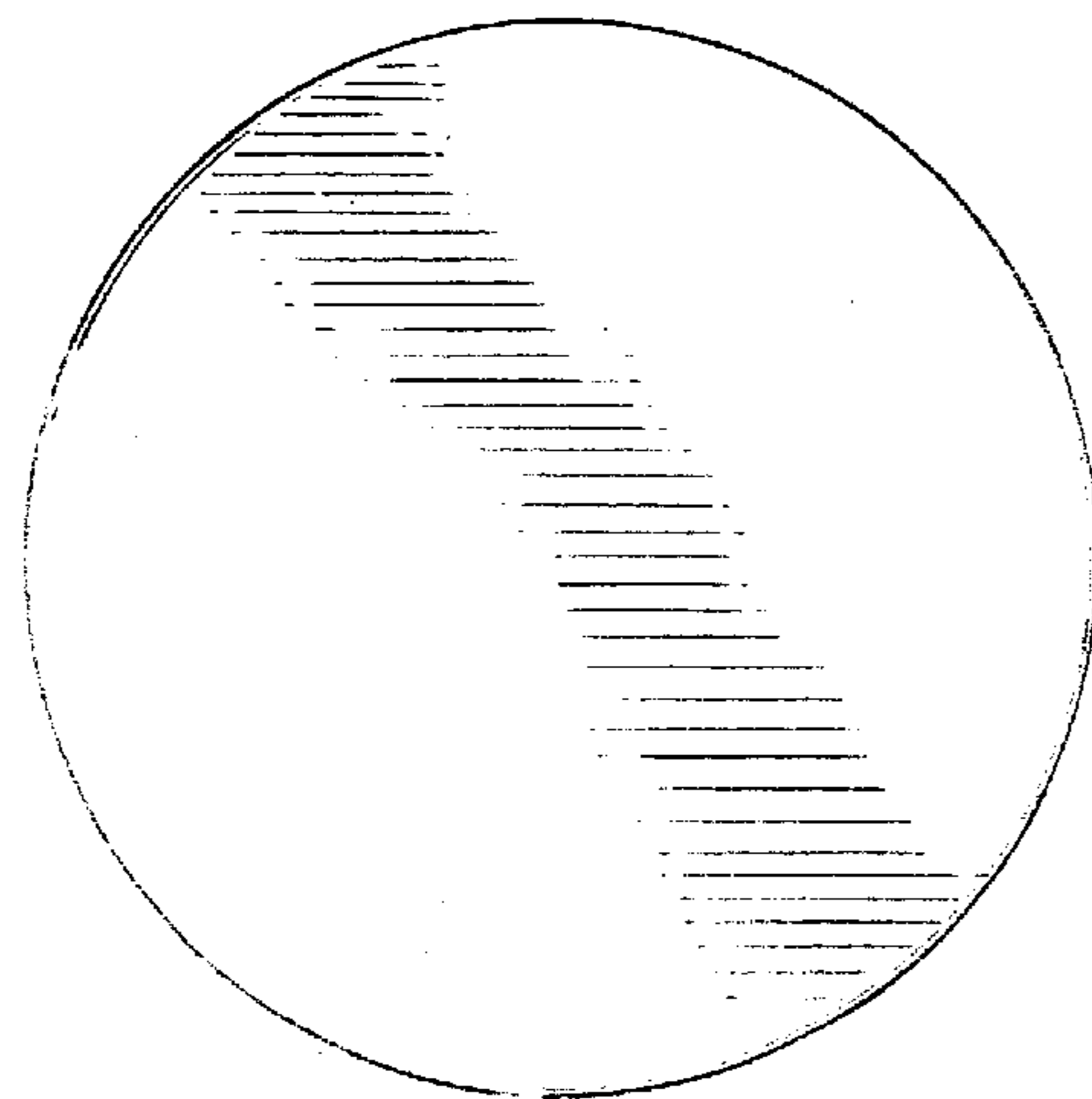
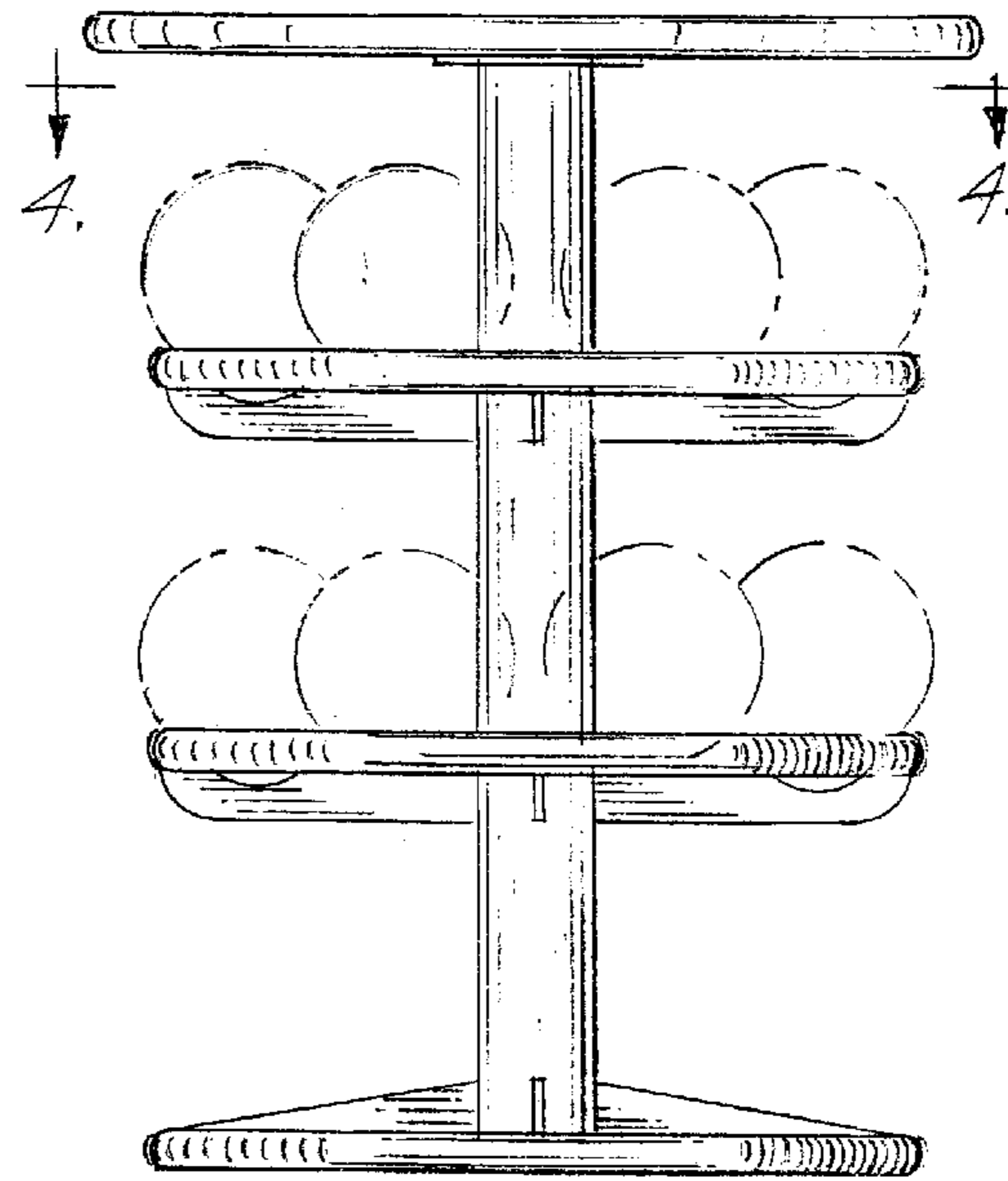


FIG. 3

FIG. 4

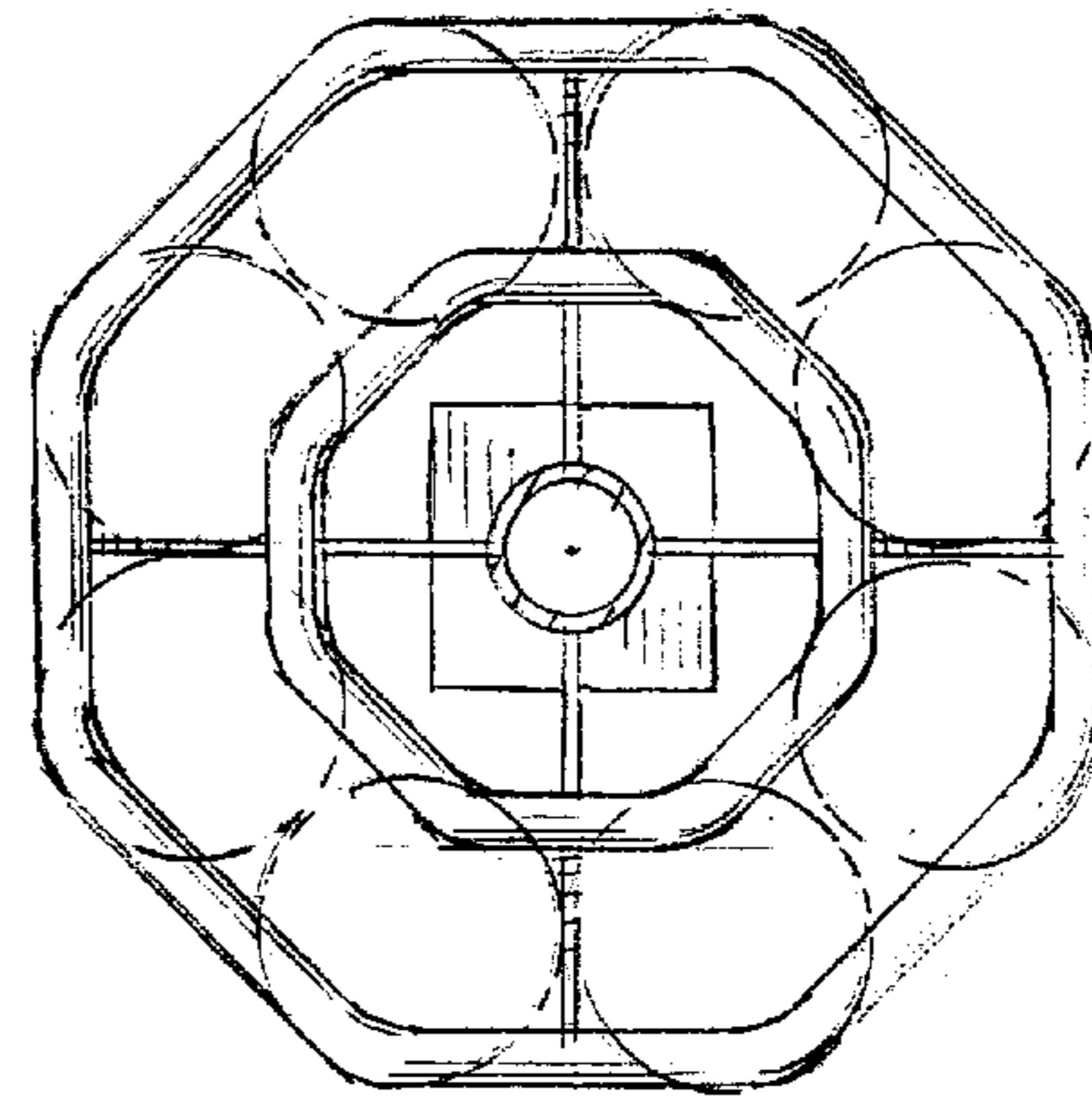


FIG. 5

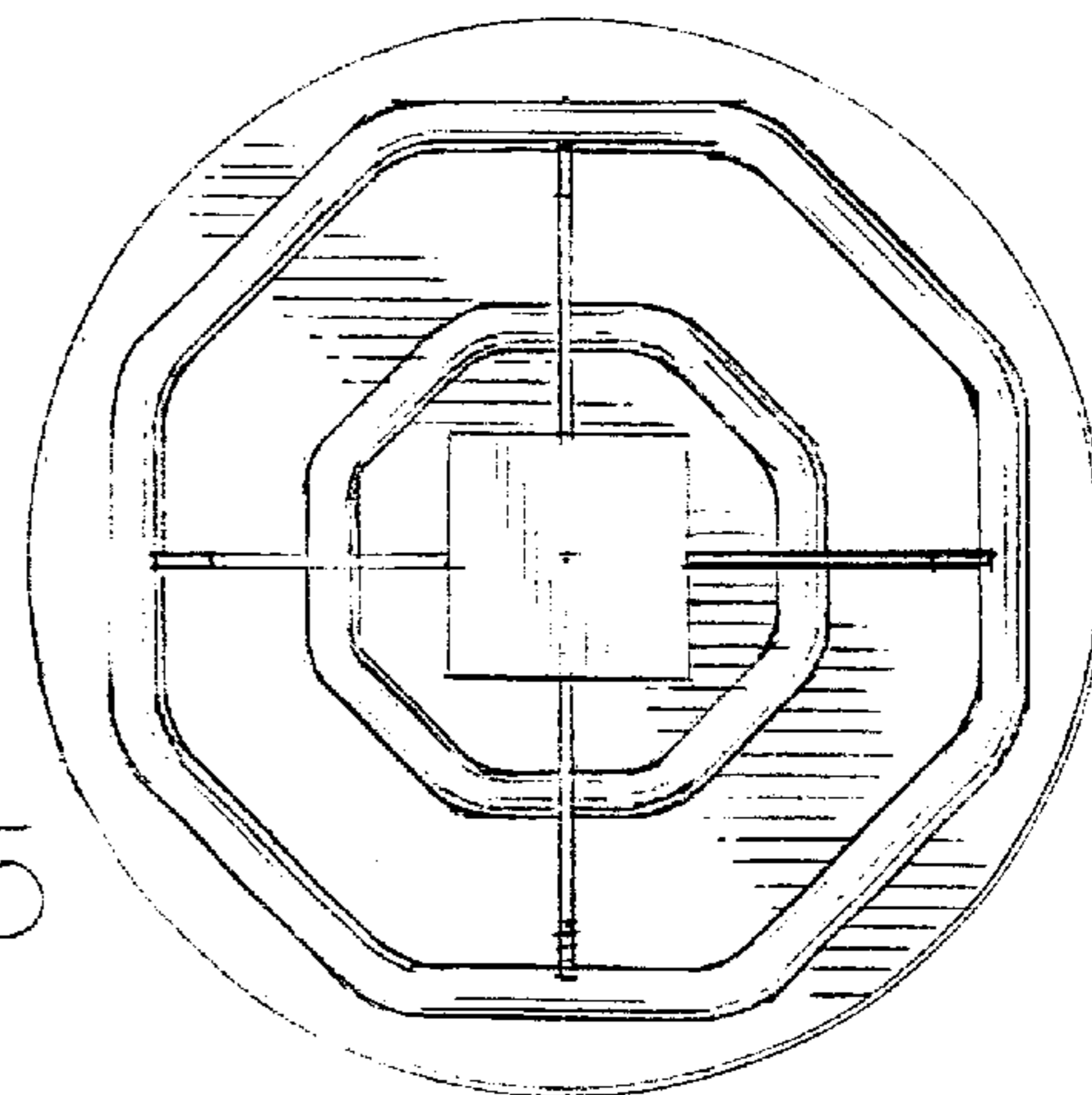


FIG 6

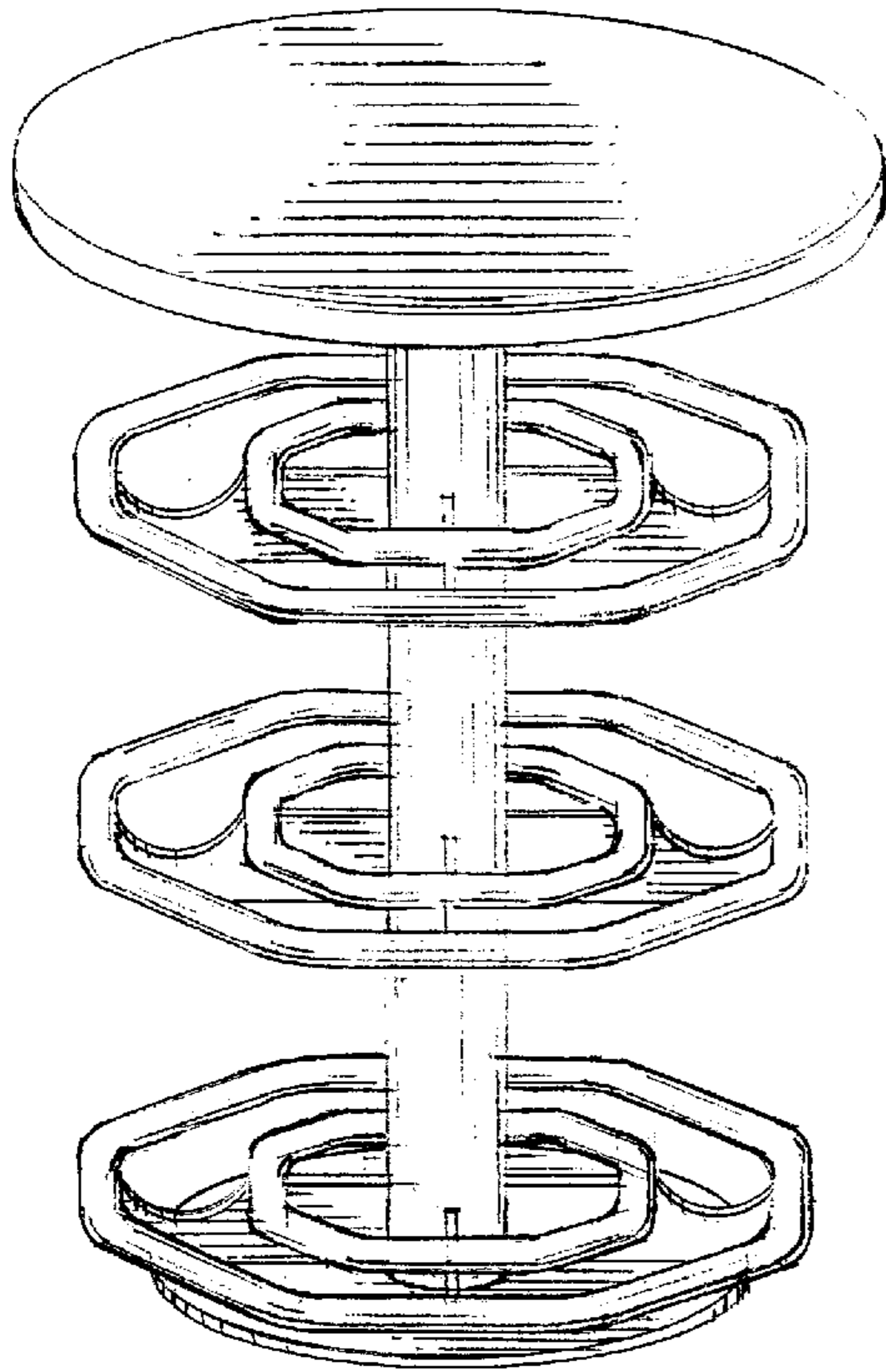


FIG. 7

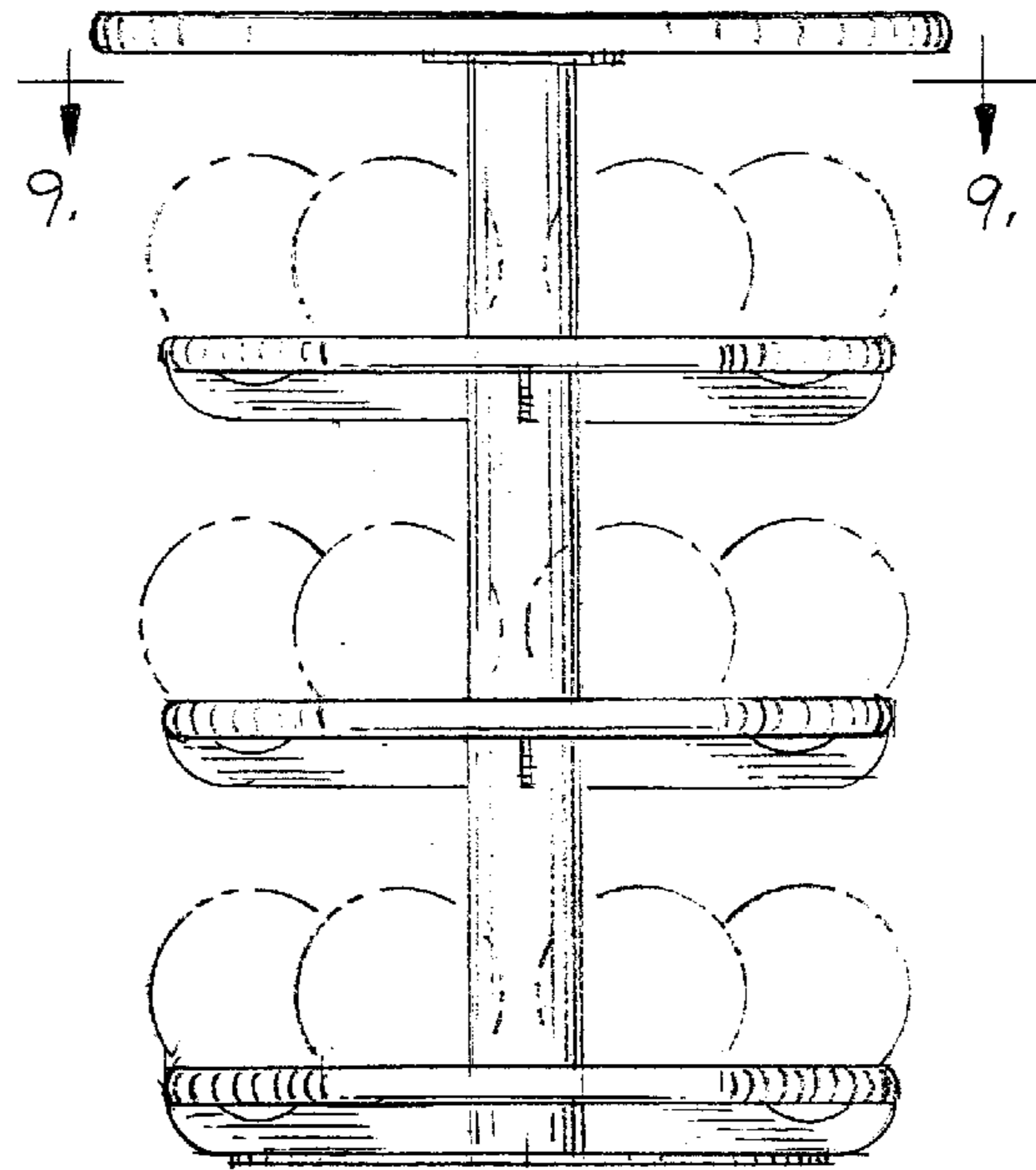


FIG. 9

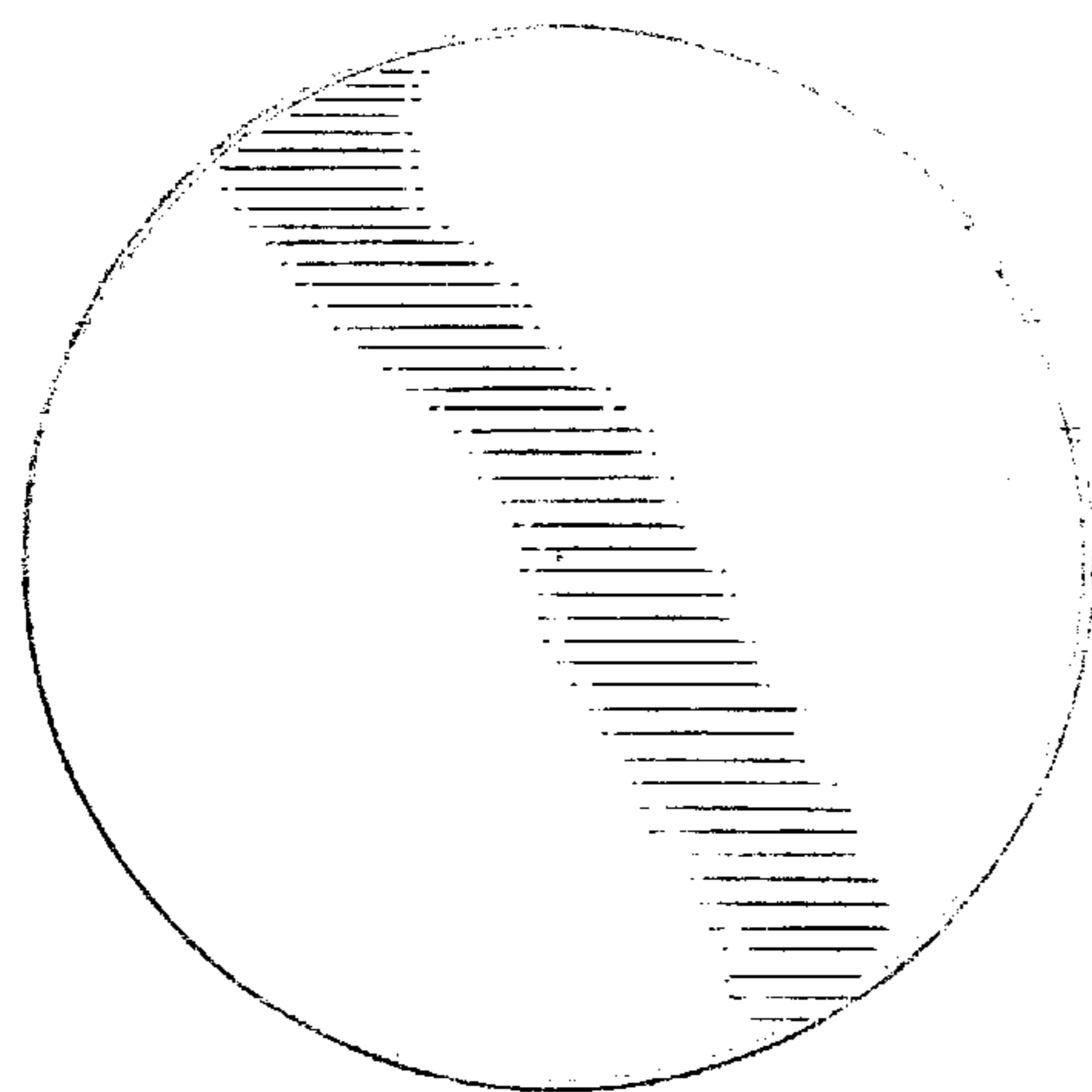
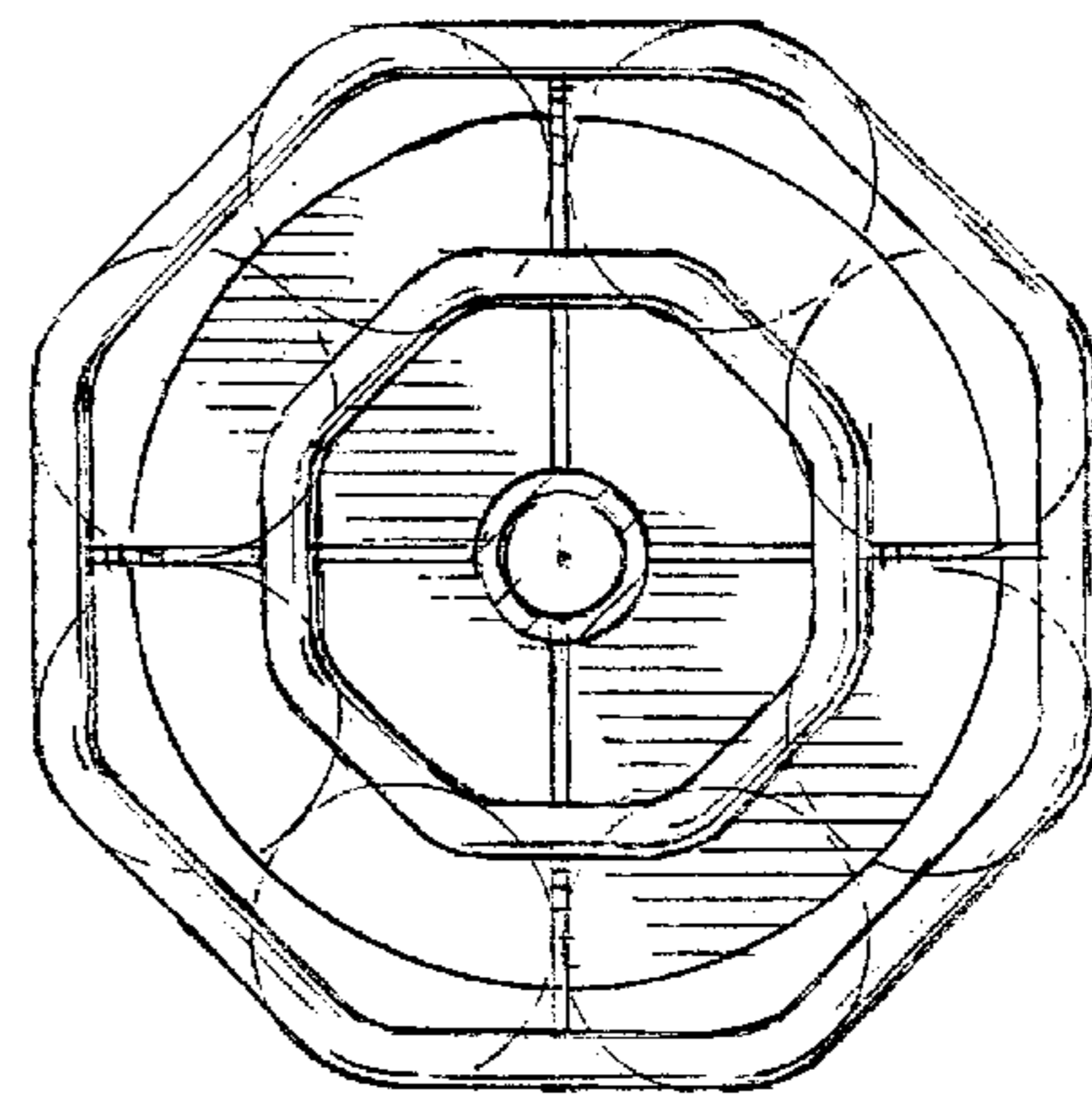


FIG. 8

FIG 10

