



US00D535509S

(12) **United States Design Patent**
Rossini et al.

(10) **Patent No.:** **US D535,509 S**
(45) **Date of Patent:** **** Jan. 23, 2007**

(54) **MOBILE COMPUTER CART, TOP ASSEMBLY**

D493,042 S * 7/2004 Rossini et al. D6/426

* cited by examiner

(75) Inventors: **Alfred P. Rossini**, Southborough, MA (US); **Louis F. Genatossio**, Shrewsbury, MA (US)

Primary Examiner—Janice E. Seeger
(74) *Attorney, Agent, or Firm*—Brian M. Dingman, Esq.; Mirick, O’Connell, DeMallie & Lougee

(73) Assignee: **Jaco, Inc.**, Franklin, MA (US)

(57) **CLAIM**

(**) Term: **14 Years**

The ornamental design for a mobile computer cart, top assembly, as shown and described.

(21) Appl. No.: **29/227,097**

DESCRIPTION

(22) Filed: **Apr. 6, 2005**

(51) **LOC (8) Cl.** **06-06**

FIG. 1 is a perspective view of the mobile computer cart, top assembly of the invention;
FIG. 2 is a front elevational view of the mobile computer cart, top assembly of FIG. 1;
FIG. 3 is a rear elevational view of the mobile computer cart, top assembly of FIG. 1;
FIG. 4 is a left side elevational view of the mobile computer cart, top assembly of FIG. 1;
FIG. 5 is a right side elevational view of the mobile computer cart, top assembly of FIG. 1;
FIG. 6 is a top view of the mobile computer cart, top assembly of FIG. 1; and,
FIG. 7 is a bottom view of the mobile computer cart, top assembly of FIG. 1.

(52) **U.S. Cl.** **D6/511; D6/425**

(58) **Field of Classification Search** D6/422–426, D6/429, 480, 474; 108/50.01, 50.02, 147.19, 108/147.1, 144.11; 312/194–196, 203, 239; 248/188.5

See application file for complete search history.

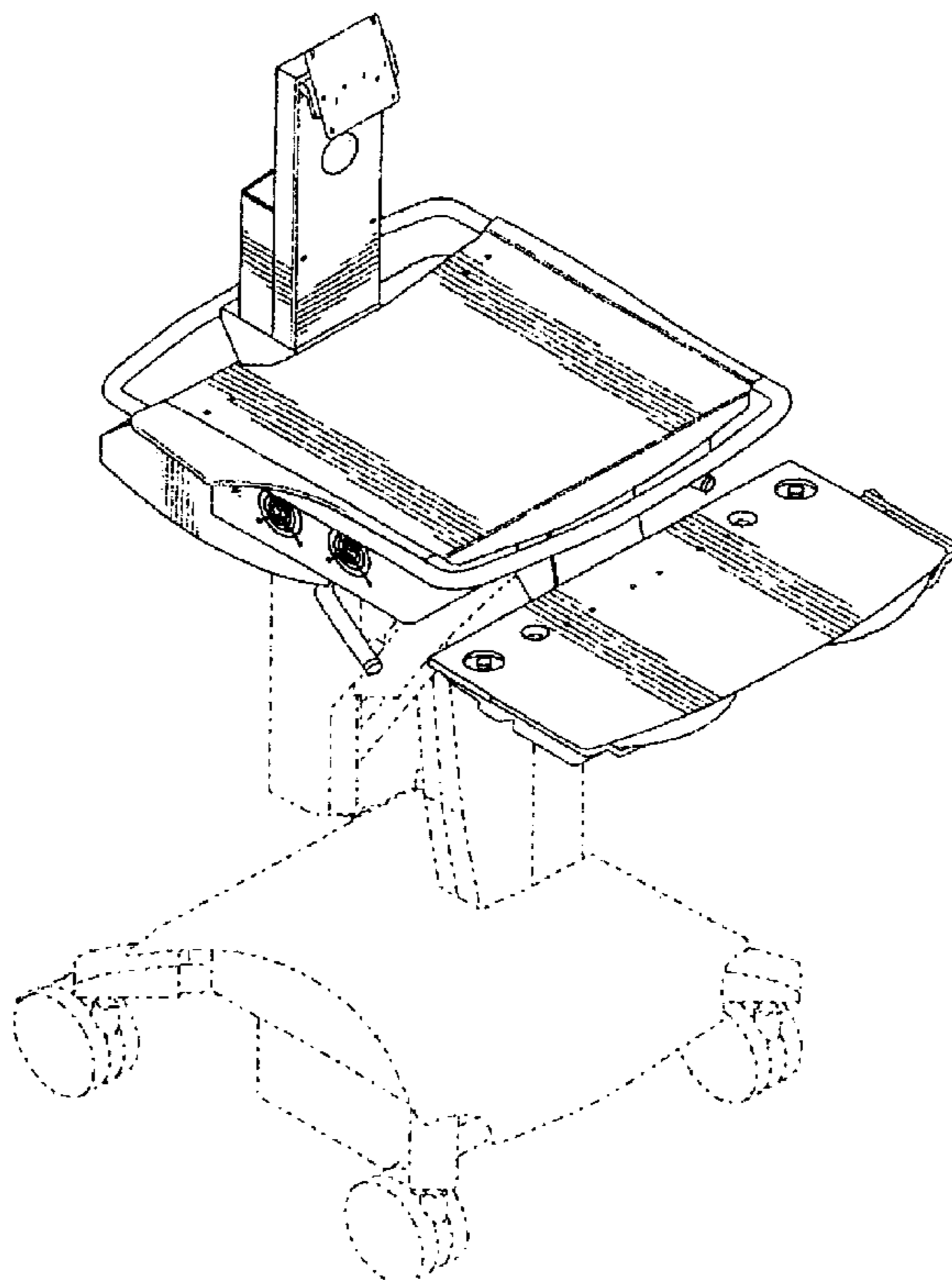
The broken lines are for environmental purposes only and form no part of the claimed design.

(56) **References Cited**

U.S. PATENT DOCUMENTS

- D290,199 S * 6/1987 Hampshire D6/426
- D393,382 S * 4/1998 Rutter et al. D6/474
- 6,397,761 B1 * 6/2002 Moore 108/50.01
- D492,856 S * 7/2004 Rossini et al. D6/426

1 Claim, 7 Drawing Sheets



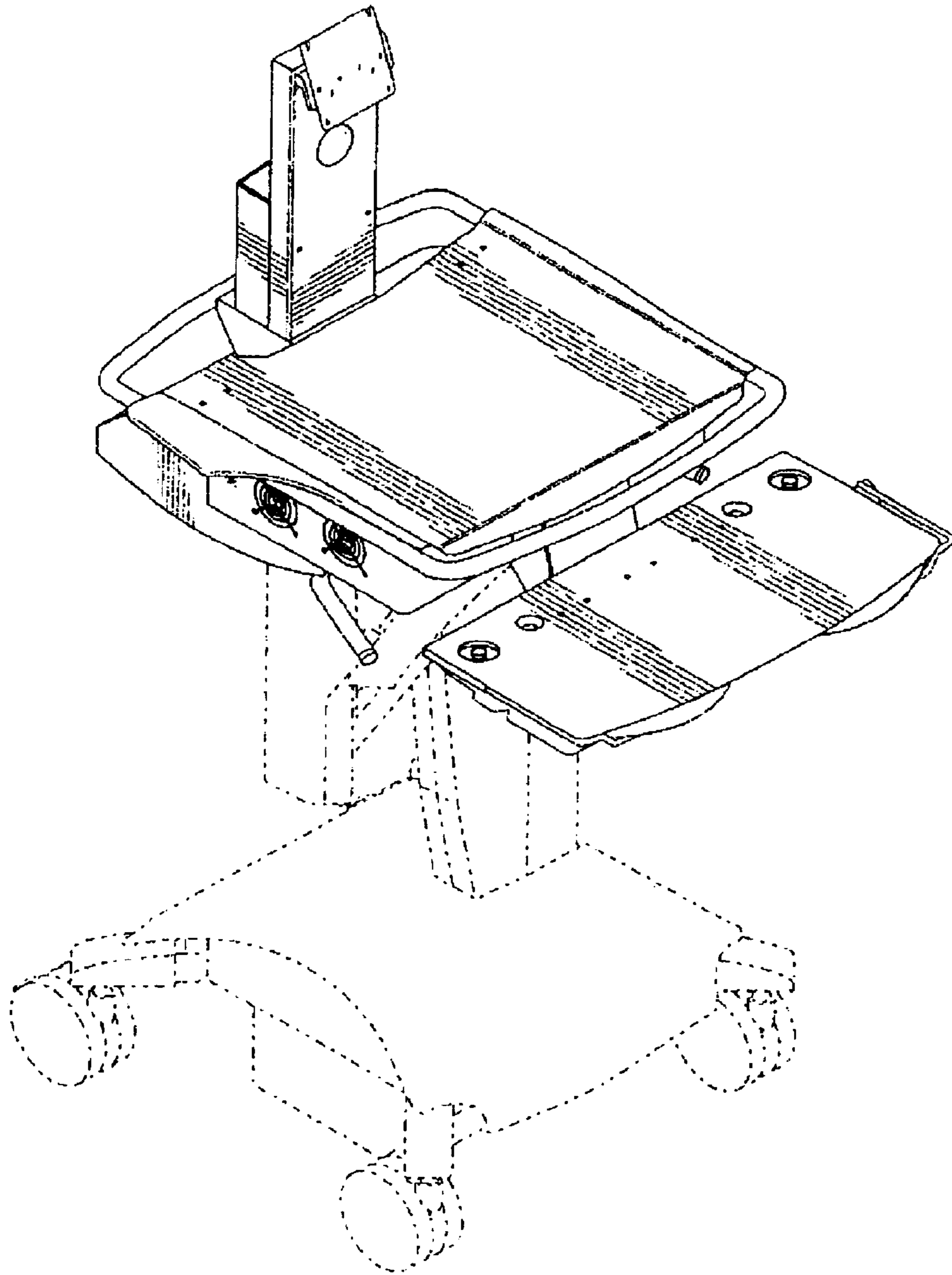


FIG. 1

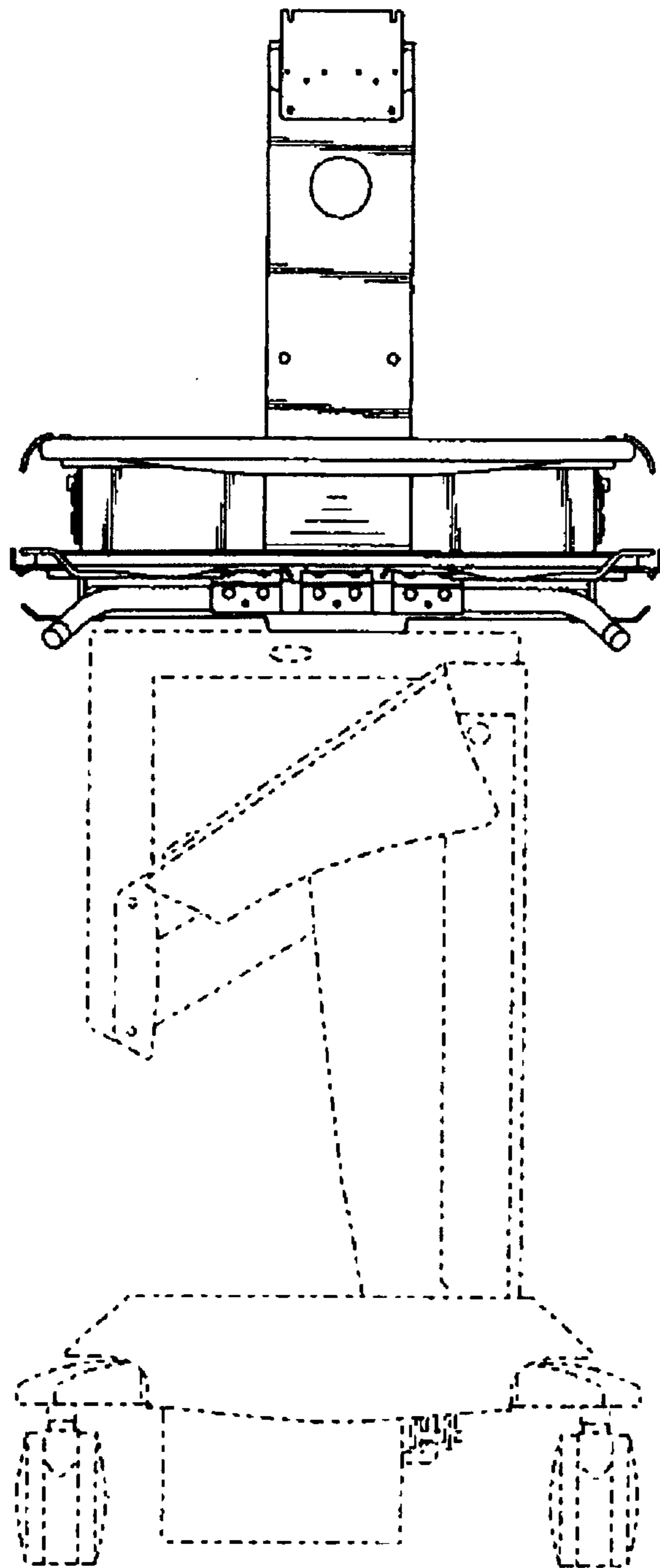


FIG. 2

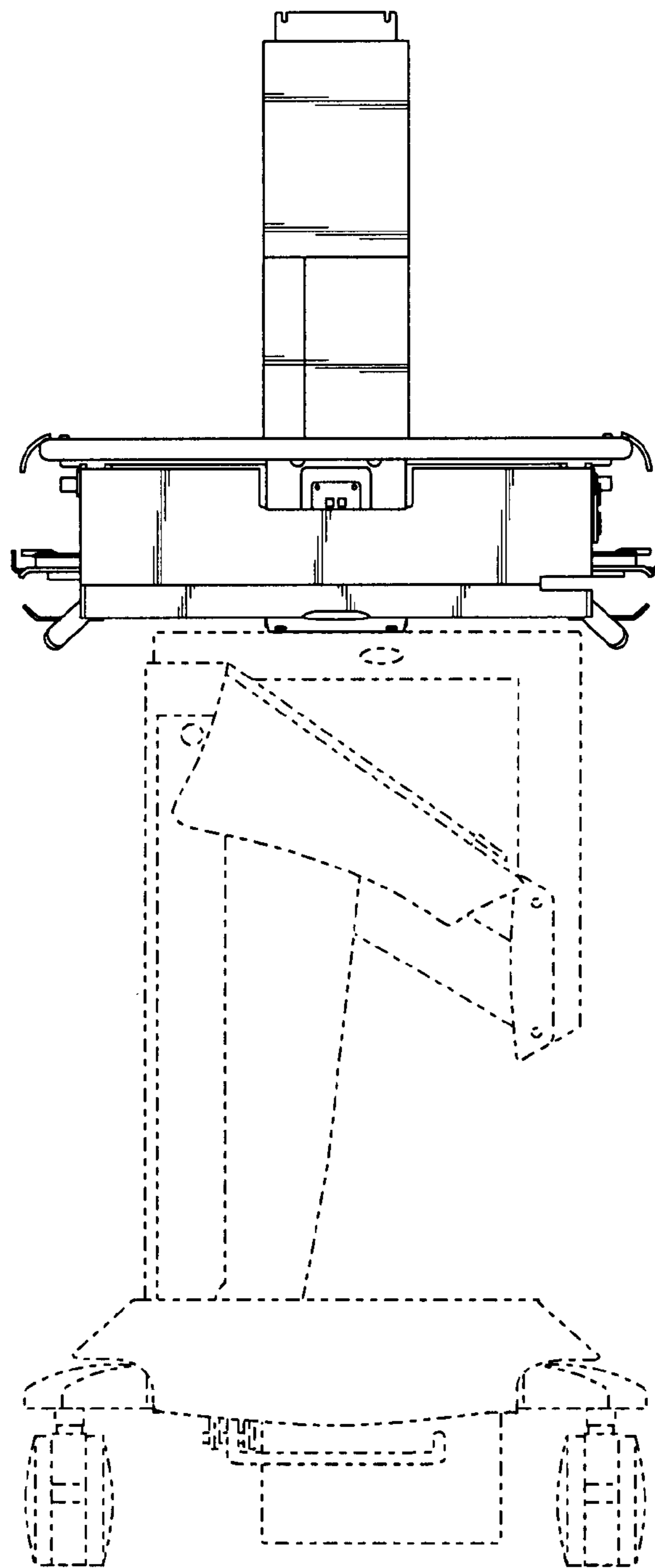


FIG. 3

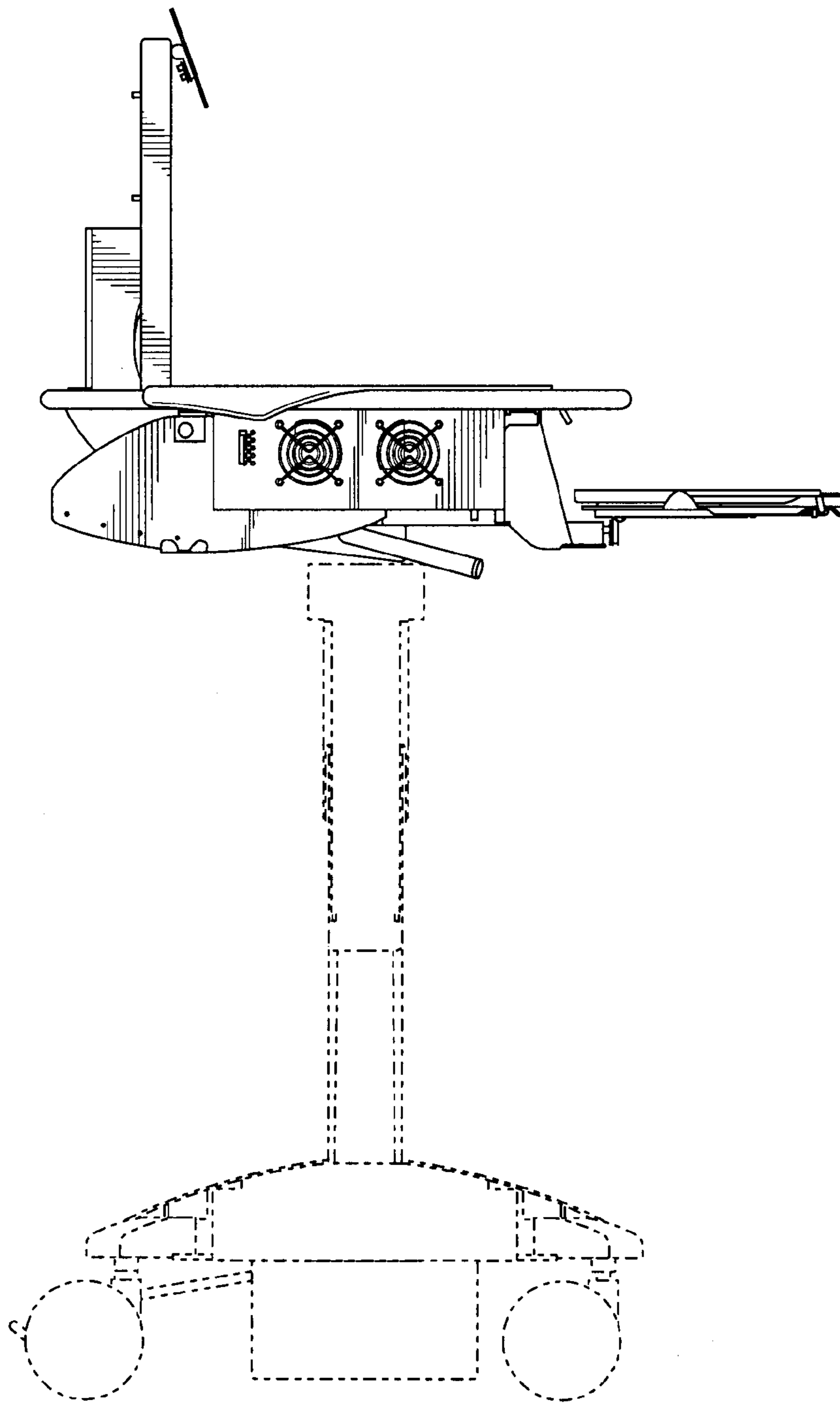


FIG. 4

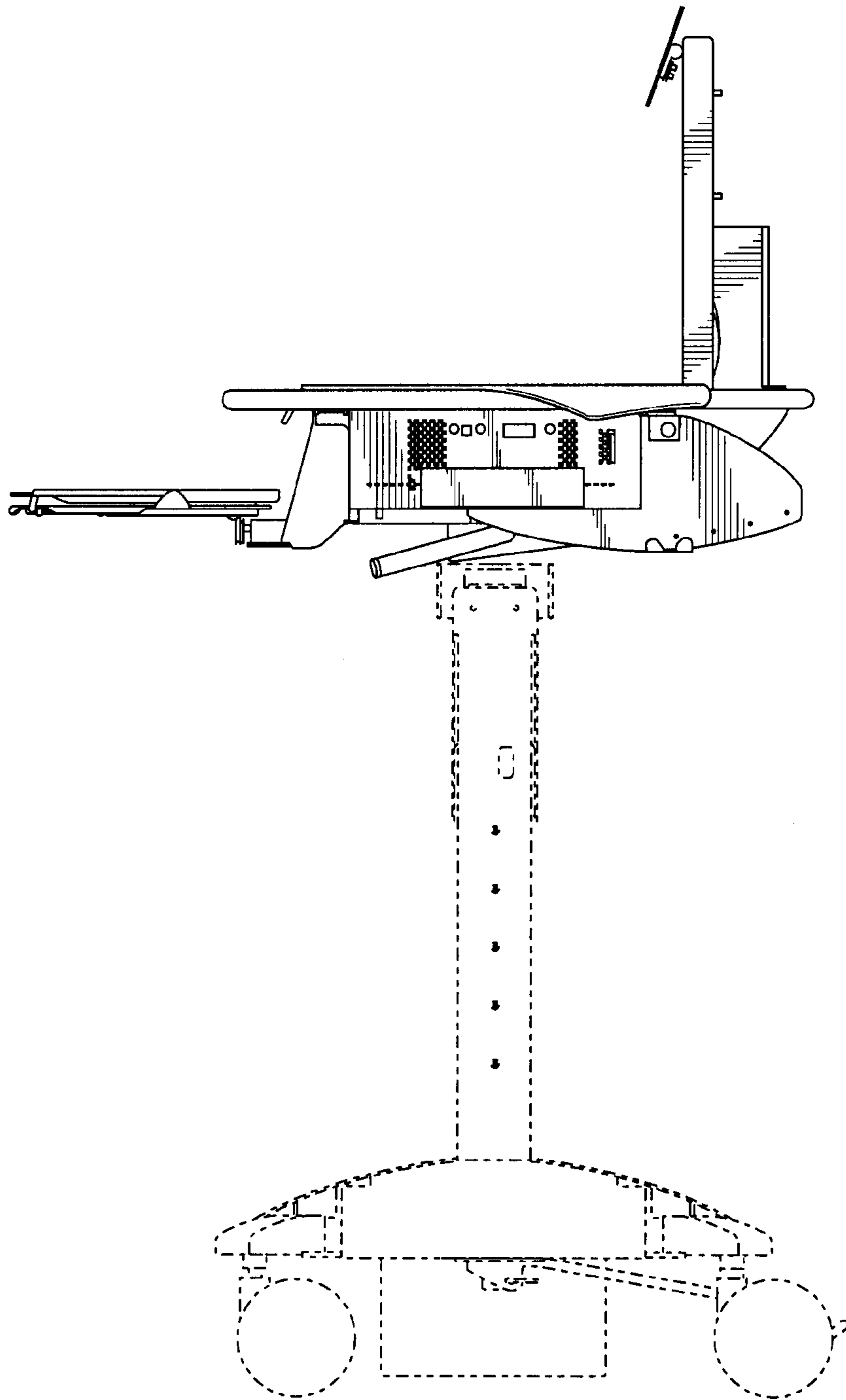


FIG. 5

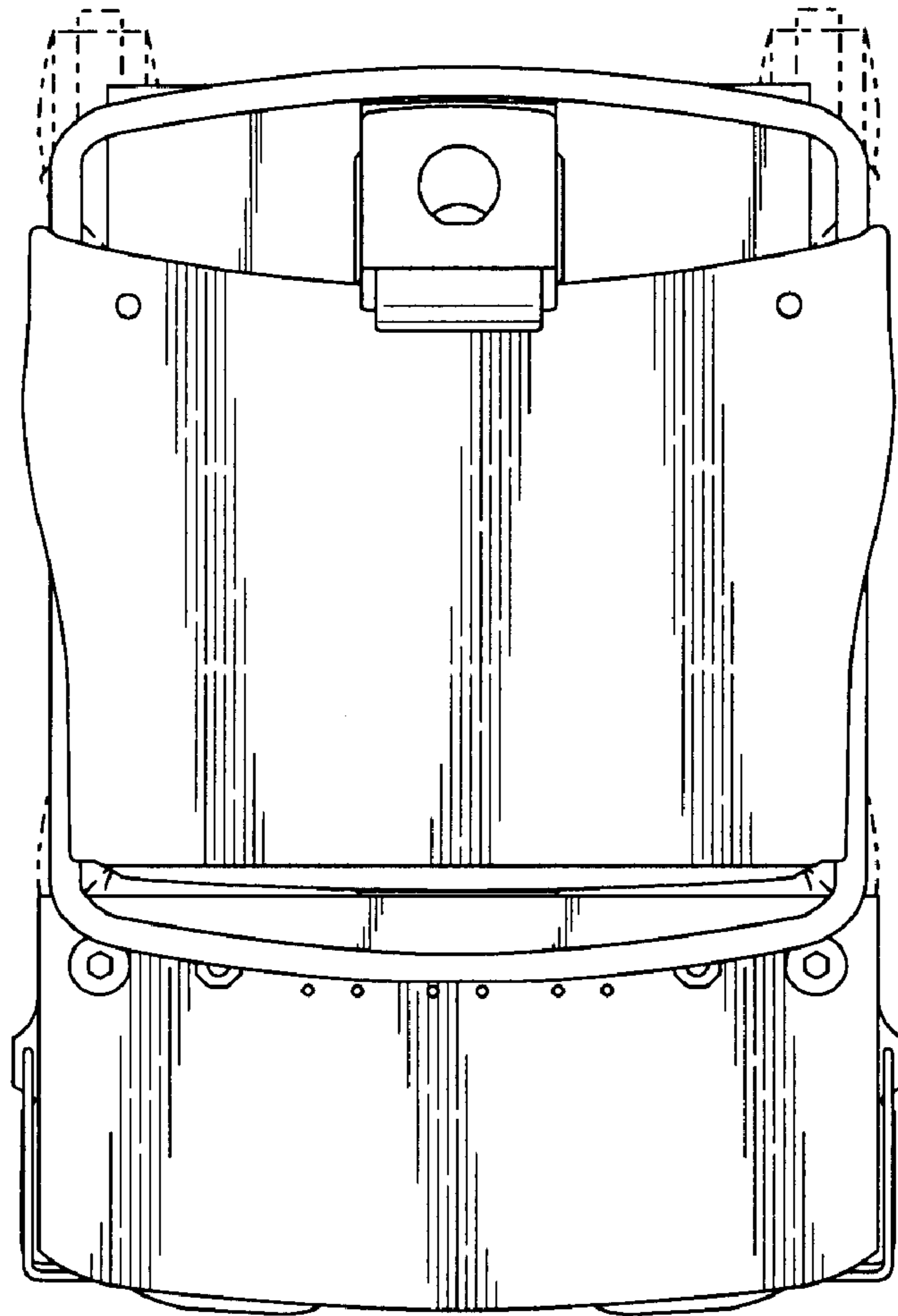


FIG. 6

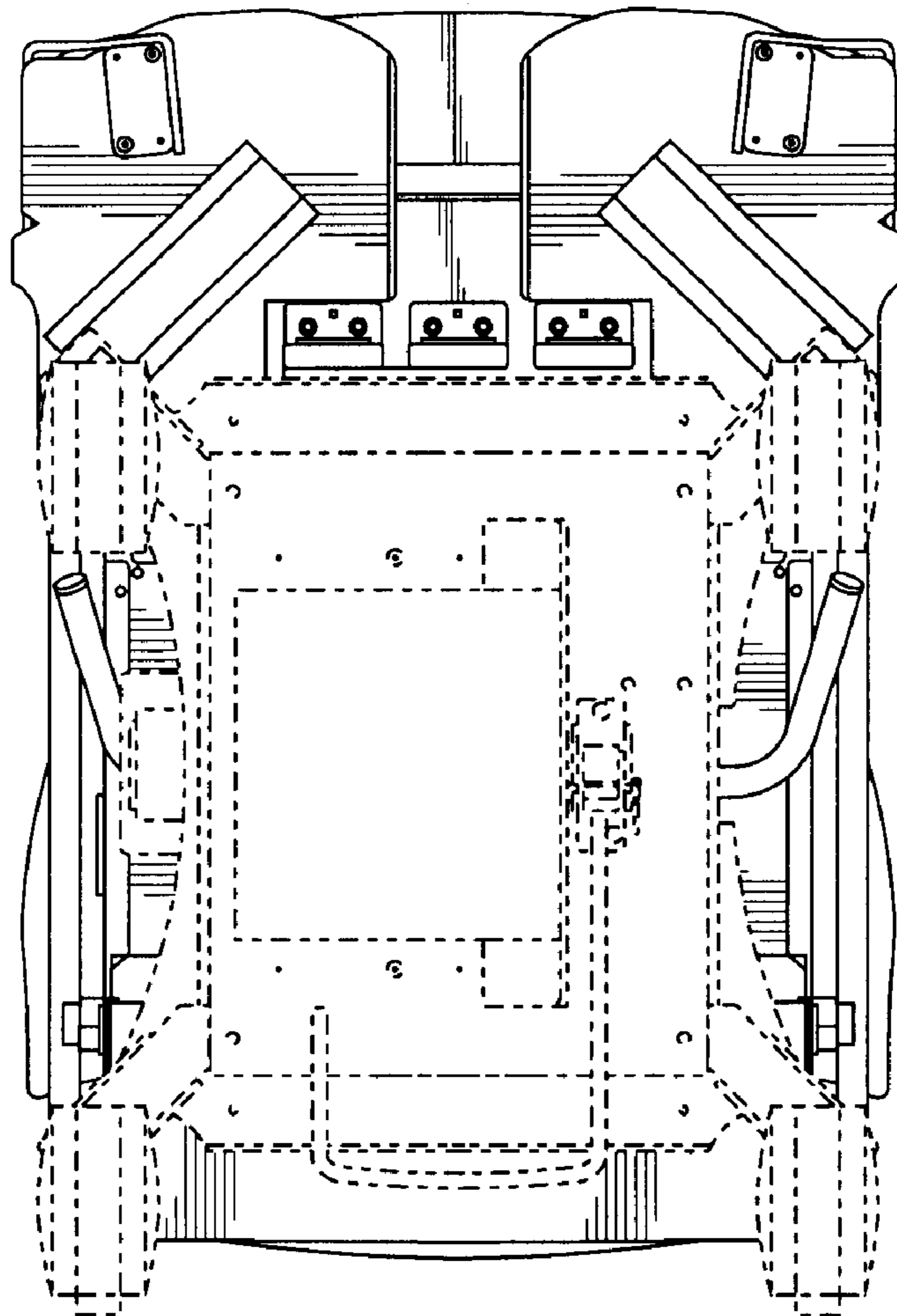


FIG. 7