



US00D535506S

(12) **United States Design Patent**  
**Wilson**

(10) **Patent No.:** **US D535,506 S**

(45) **Date of Patent:** **\*\* Jan. 23, 2007**

(54) **BASSINET**

(76) Inventor: **Scott Harold Wilson**, 5011 SW.  
Humphrey Park Rd., Portland, OR (US)  
97221

(\*\*) Term: **14 Years**

(21) Appl. No.: **29/243,661**

(22) Filed: **Nov. 28, 2005**

(51) **LOC (8) Cl.** ..... **06-06**

(52) **U.S. Cl.** ..... **D6/503; D6/390**

(58) **Field of Classification Search** ..... D6/382,  
D6/390, 391, 331, 485, 349, 449, 475, 332;  
5/93.1, 97, 98.1, 99.1; 108/60; 160/135; D99/43;  
211/72, 126.16; 248/174; D23/410, 406  
See application file for complete search history.

(56) **References Cited**

**U.S. PATENT DOCUMENTS**

- 2,600,501 A \* 6/1952 Higgs ..... 5/98.1
- D229,457 S \* 12/1973 Mathieson ..... D6/390
- D300,996 S \* 5/1989 Colby ..... D6/487
- 5,009,379 A \* 4/1991 Sadler ..... 248/174
- D347,533 S \* 6/1994 Lambert ..... D6/491
- D352,140 S \* 11/1994 Easton et al. .... D30/156

- D382,735 S \* 8/1997 Zapf ..... D6/492
- D405,976 S \* 2/1999 Beall ..... D6/396
- D439,652 S \* 3/2001 Schonberger et al. .... D23/406
- D507,131 S \* 7/2005 Pingel ..... D6/491
- D521,777 S \* 5/2006 Gusdorf et al. .... D6/511

\* cited by examiner

*Primary Examiner*—Janice E. Seeger

(74) *Attorney, Agent, or Firm*—ipsolon llp

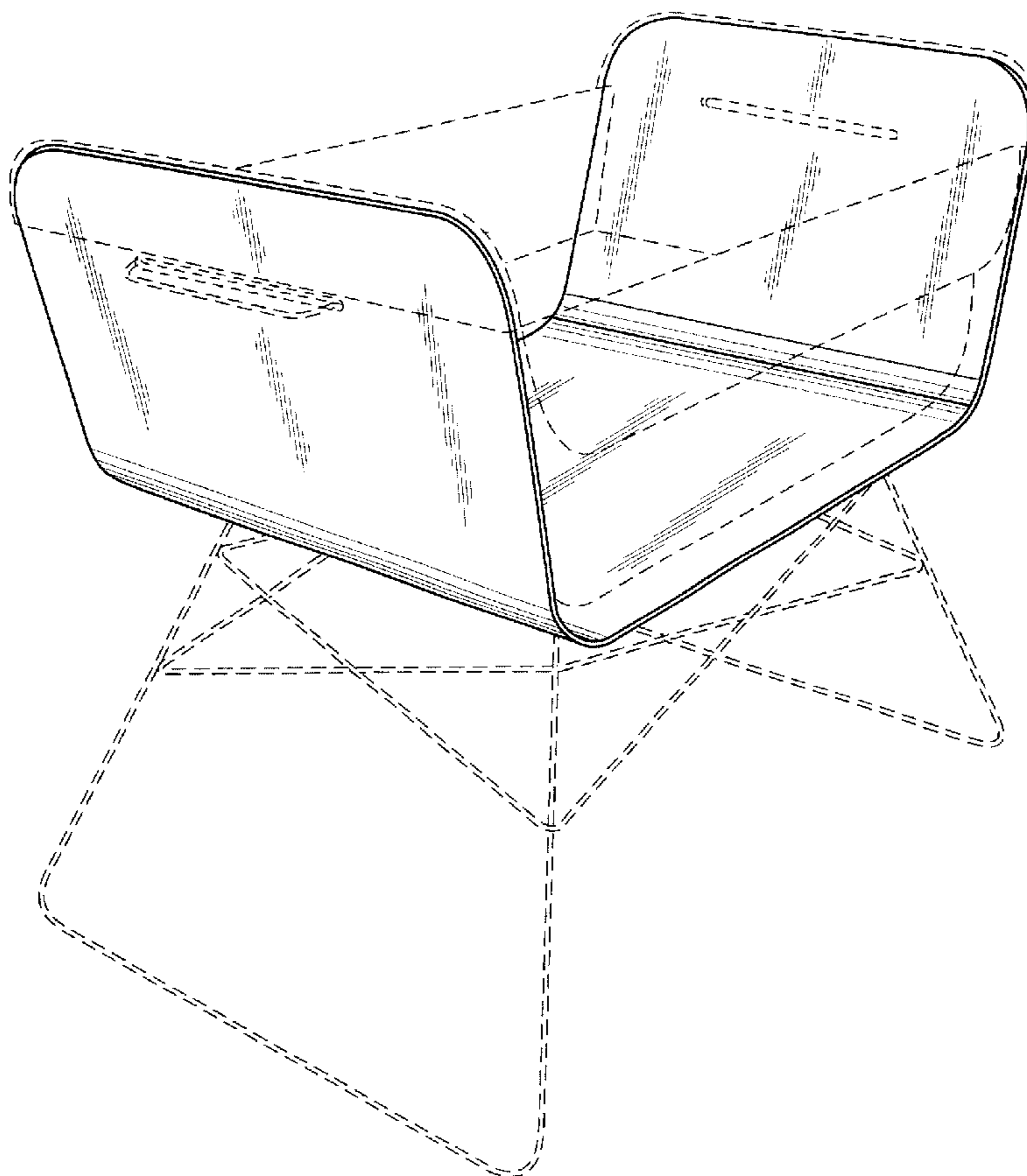
(57) **CLAIM**

The ornamental design for a bassinet, as shown and described.

**DESCRIPTION**

FIG. 1 is a front, right, perspective view of a bassinet showing my design;  
 FIG. 2 is a right, side view thereof, the left side view being a mirror image thereof;  
 FIG. 3 is a front, plan view thereof, the back, plan view being a mirror image thereof;  
 FIG. 4 is a top, plan view thereof; and,  
 FIG. 5 is a bottom, plan view thereof.  
 The broken lines showing an exemplar stand, handles, through slots, and bassinet side walls are for illustrative purpose only and form no part of the claimed design.

**1 Claim, 2 Drawing Sheets**



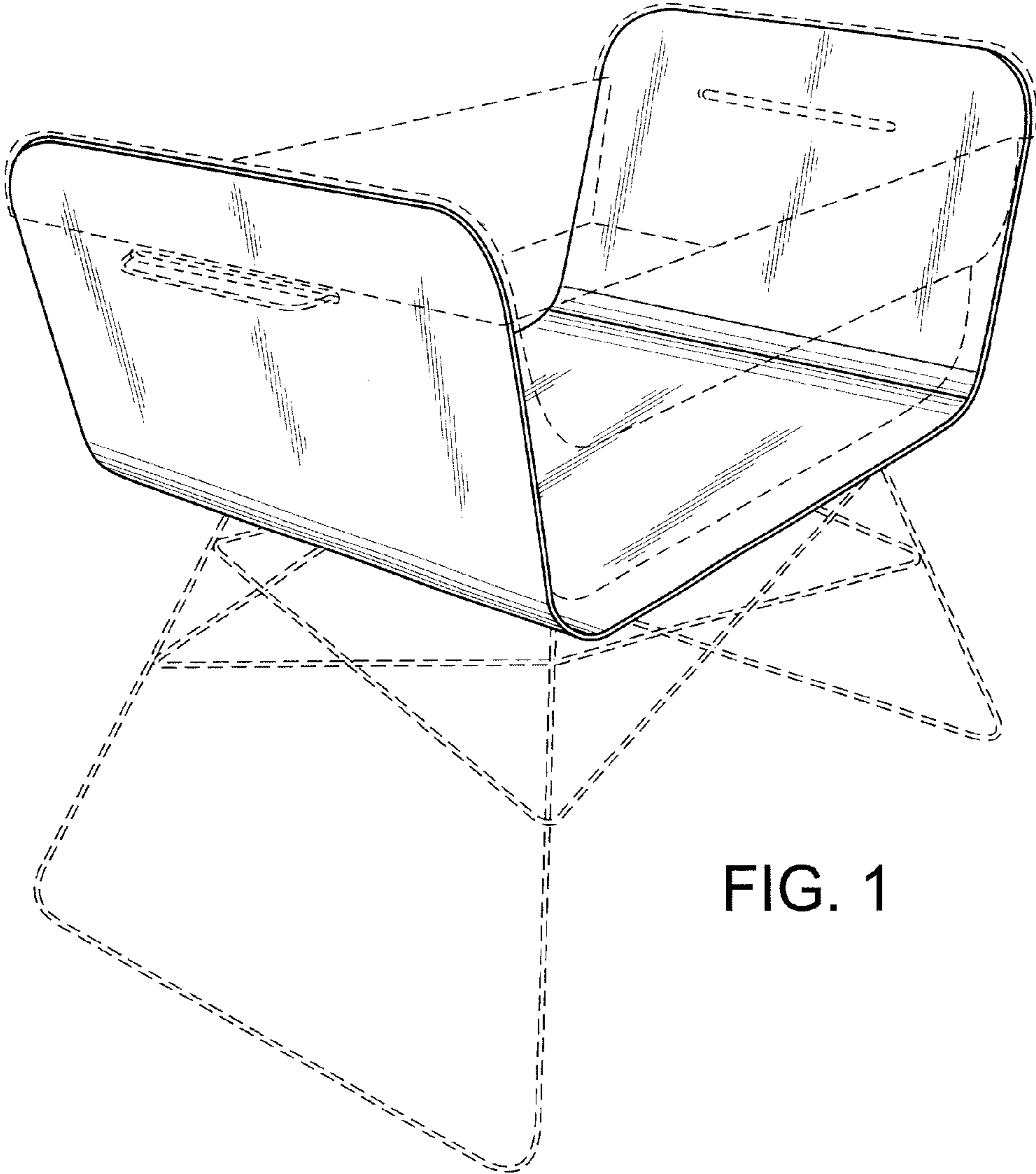


FIG. 1

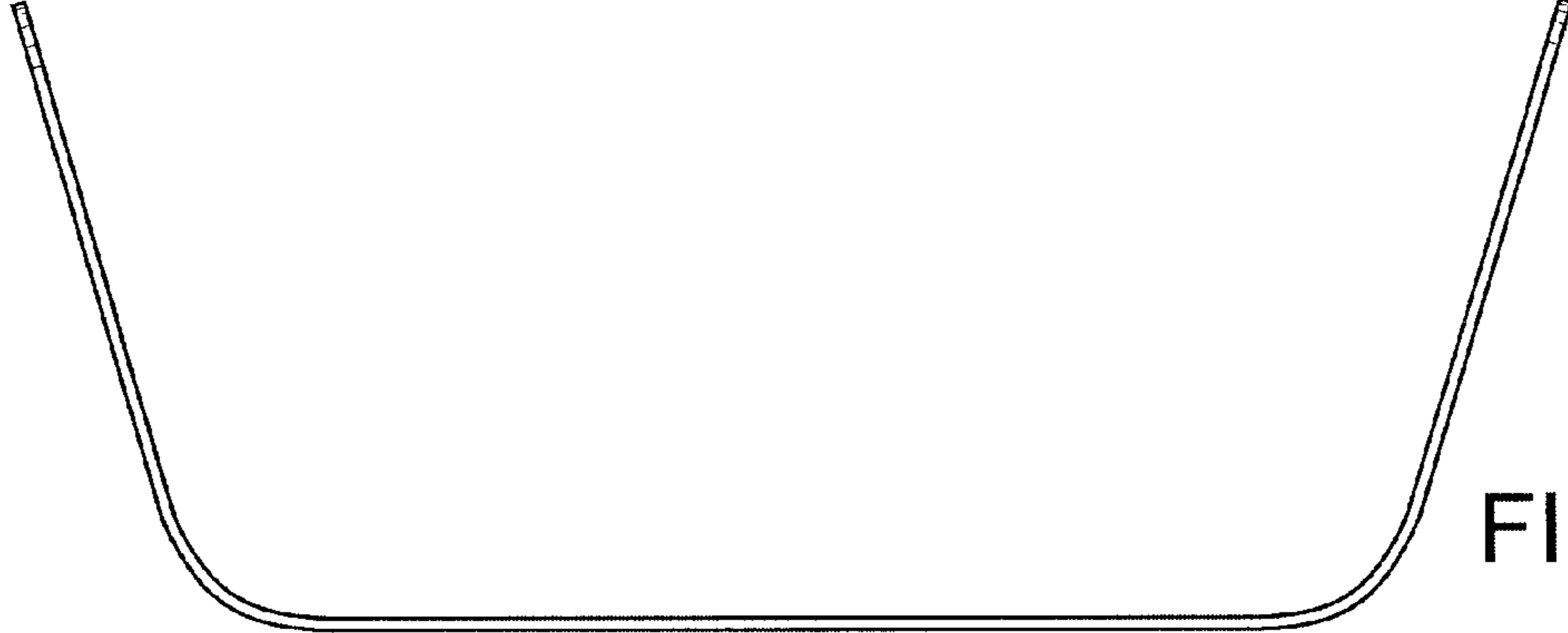


FIG. 2

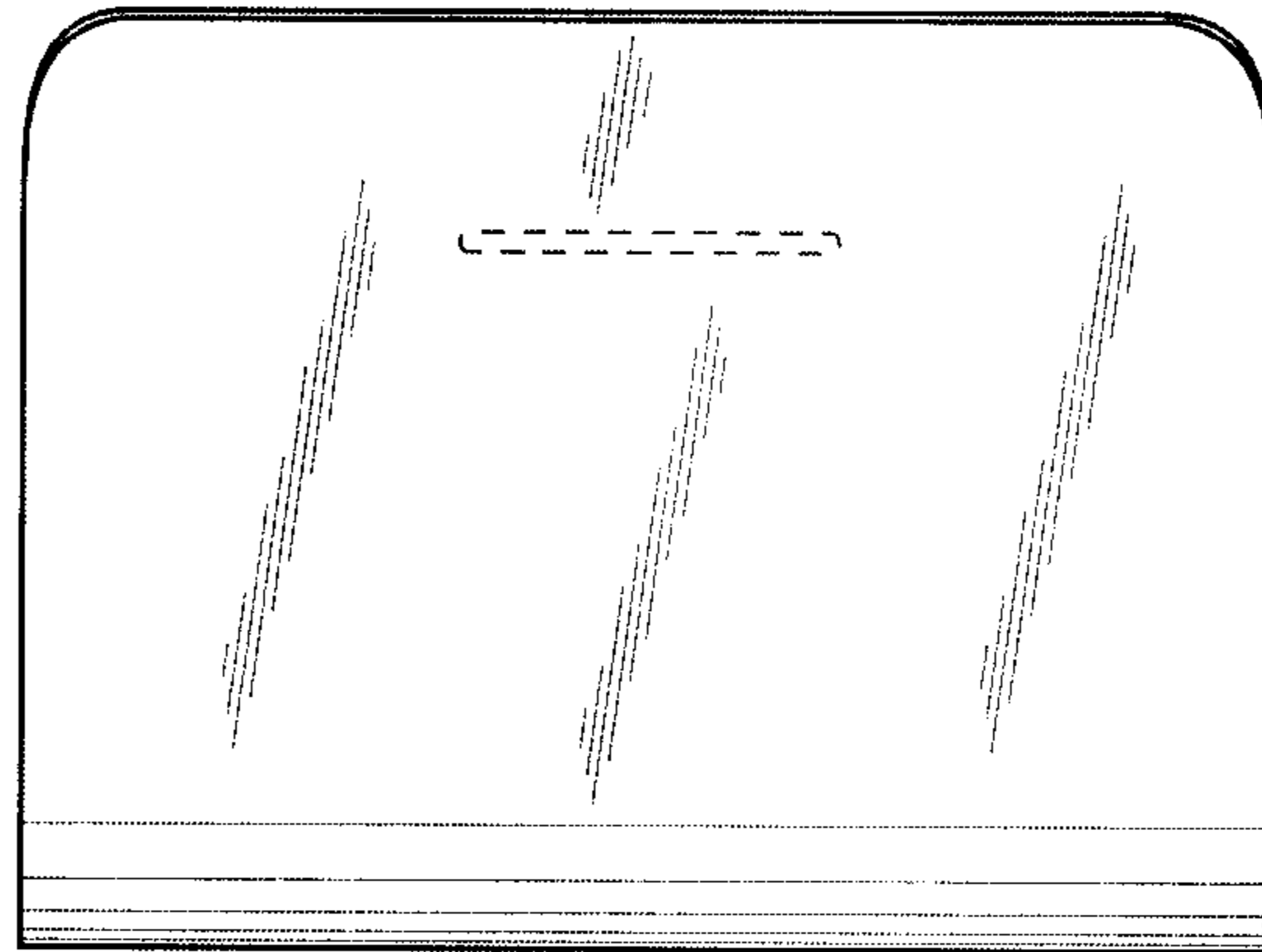


FIG. 3

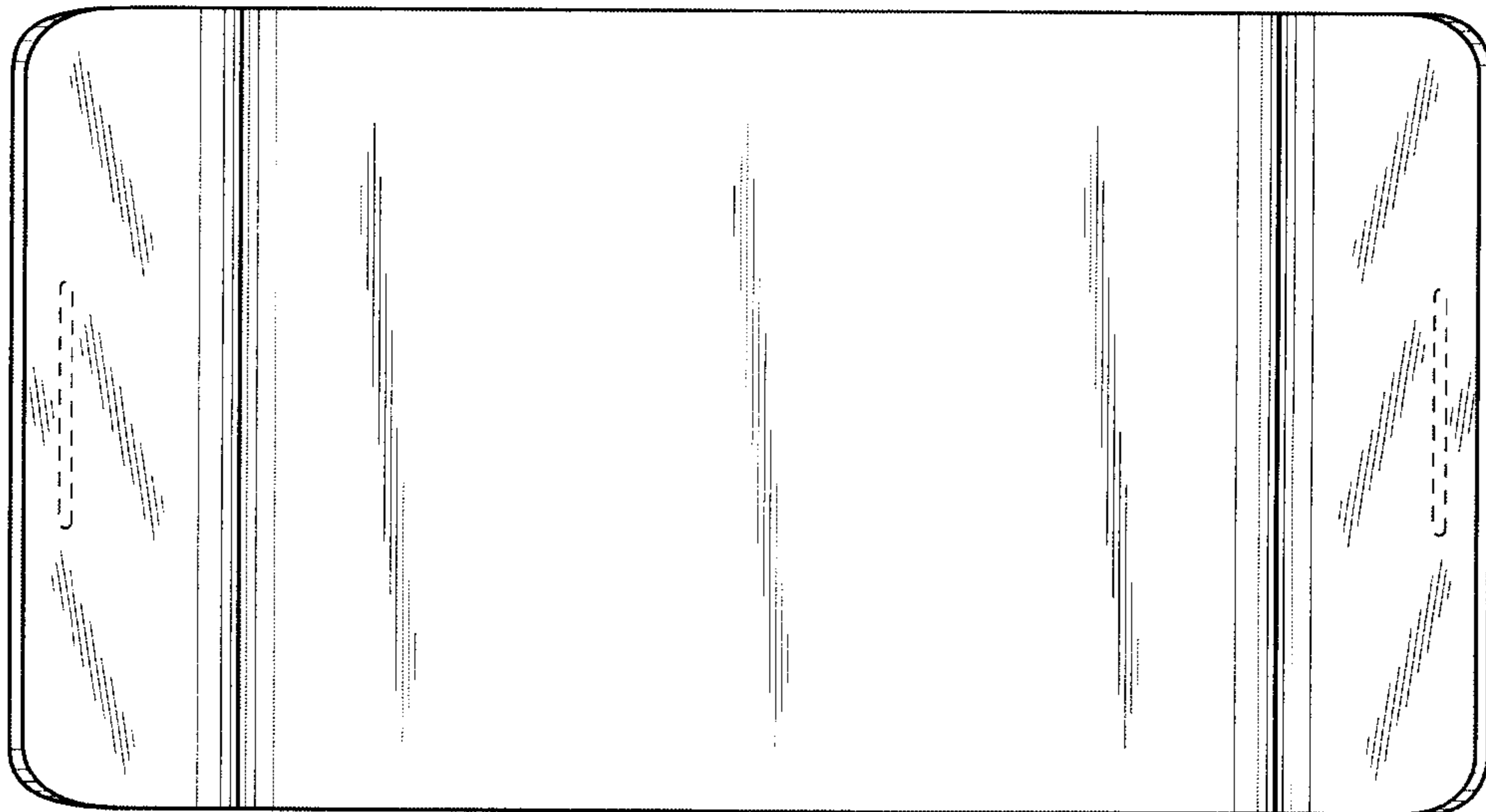


FIG. 4

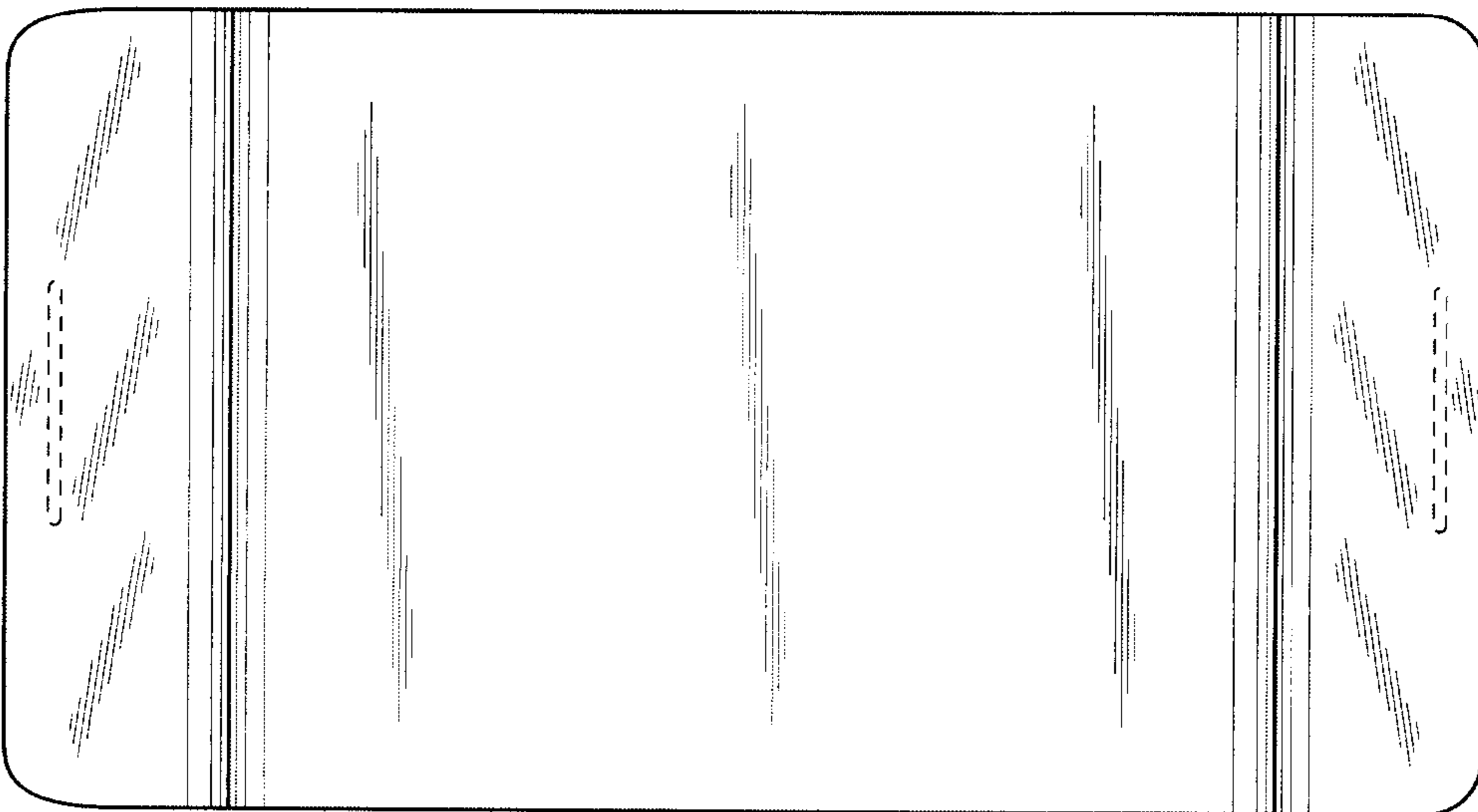


FIG. 5