



US00D535505S

(12) **United States Design Patent**
Cai

(10) **Patent No.:** **US D535,505 S**

(45) **Date of Patent:** **** Jan. 23, 2007**

(54) **CHAIR ARMREST**

(75) Inventor: **Bo-Quan Cai**, Tainan Hsien (TW)

(73) Assignee: **Po-Chuan Tsai**, Rende Hsiang (TW)

(**) Term: **14 Years**

(21) Appl. No.: **29/230,087**

(22) Filed: **May 17, 2005**

(51) **LOC (8) Cl.** **06-06**

(52) **U.S. Cl.** **D6/501; D6/366**

(58) **Field of Classification Search** D6/334-335,
D6/364, 365, 366, 367, 368, 374, 500-502;
297/411.2, 411.27, 411.36

See application file for complete search history.

(56) **References Cited**

U.S. PATENT DOCUMENTS

D349,621 S	*	8/1994	Wilson	D6/501
D411,396 S	*	6/1999	Stumpf	D6/501
D461,076 S	*	8/2002	Lee	D6/501
D481,879 S	*	11/2003	Su	D6/366
D486,657 S	*	2/2004	Su	D6/366

D489,541 S	*	5/2004	Su	D6/366
D499,908 S	*	12/2004	Edwards et al.	D6/501
D506,336 S	*	6/2005	Bock	D6/501
D507,908 S	*	8/2005	Koepke et al.	D6/501

* cited by examiner

Primary Examiner—Mimosa De

(74) *Attorney, Agent, or Firm*—Alan D. Kamrath; Nikolai & Mersereau, P.A.

(57) **CLAIM**

The ornamental design for a chair armrest, as shown and described.

DESCRIPTION

FIG. 1 is a perspective view of a chair armrest showing my design;

FIG. 2 is a front elevational view thereof;

FIG. 3 is a rear elevational view thereof;

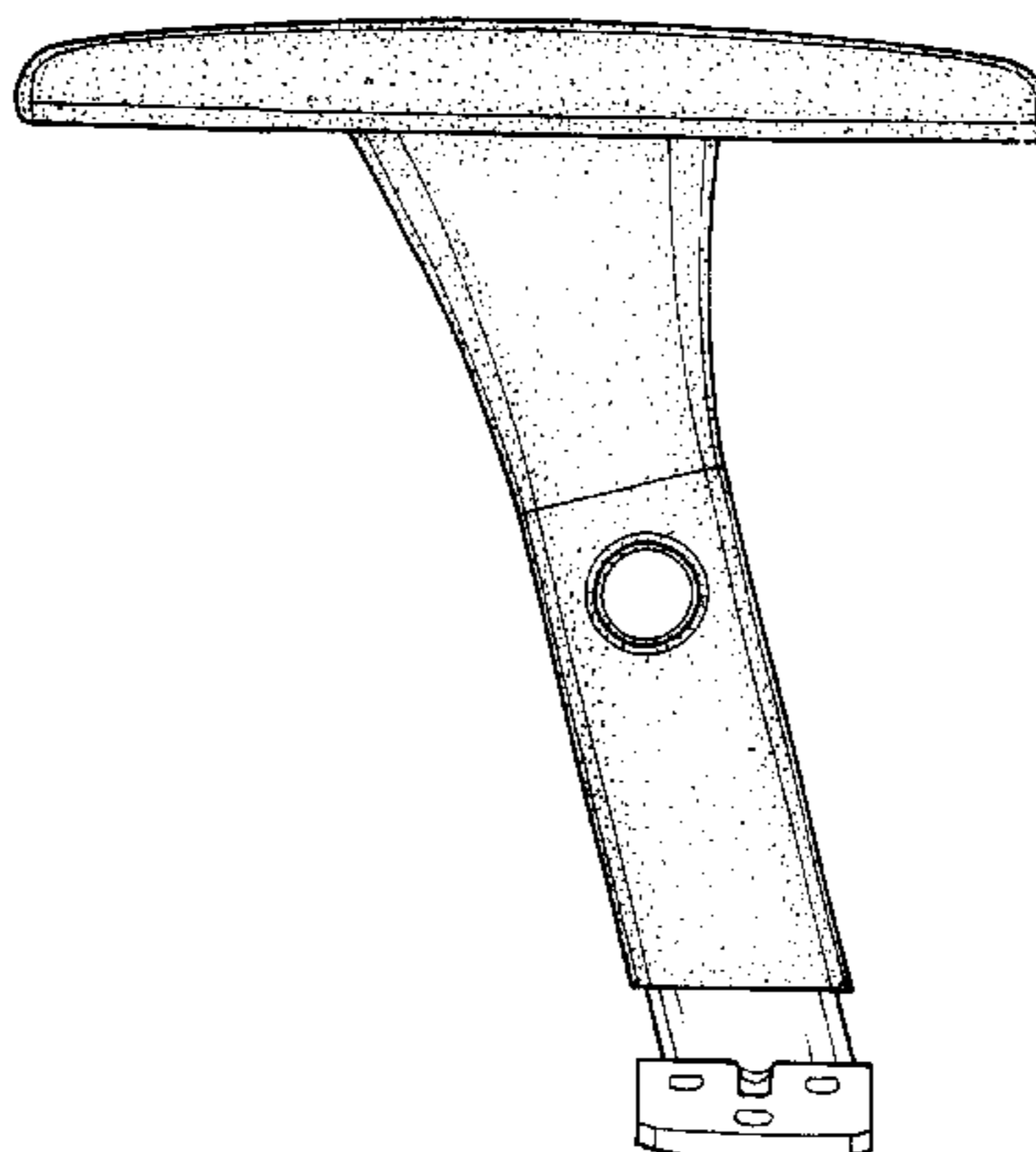
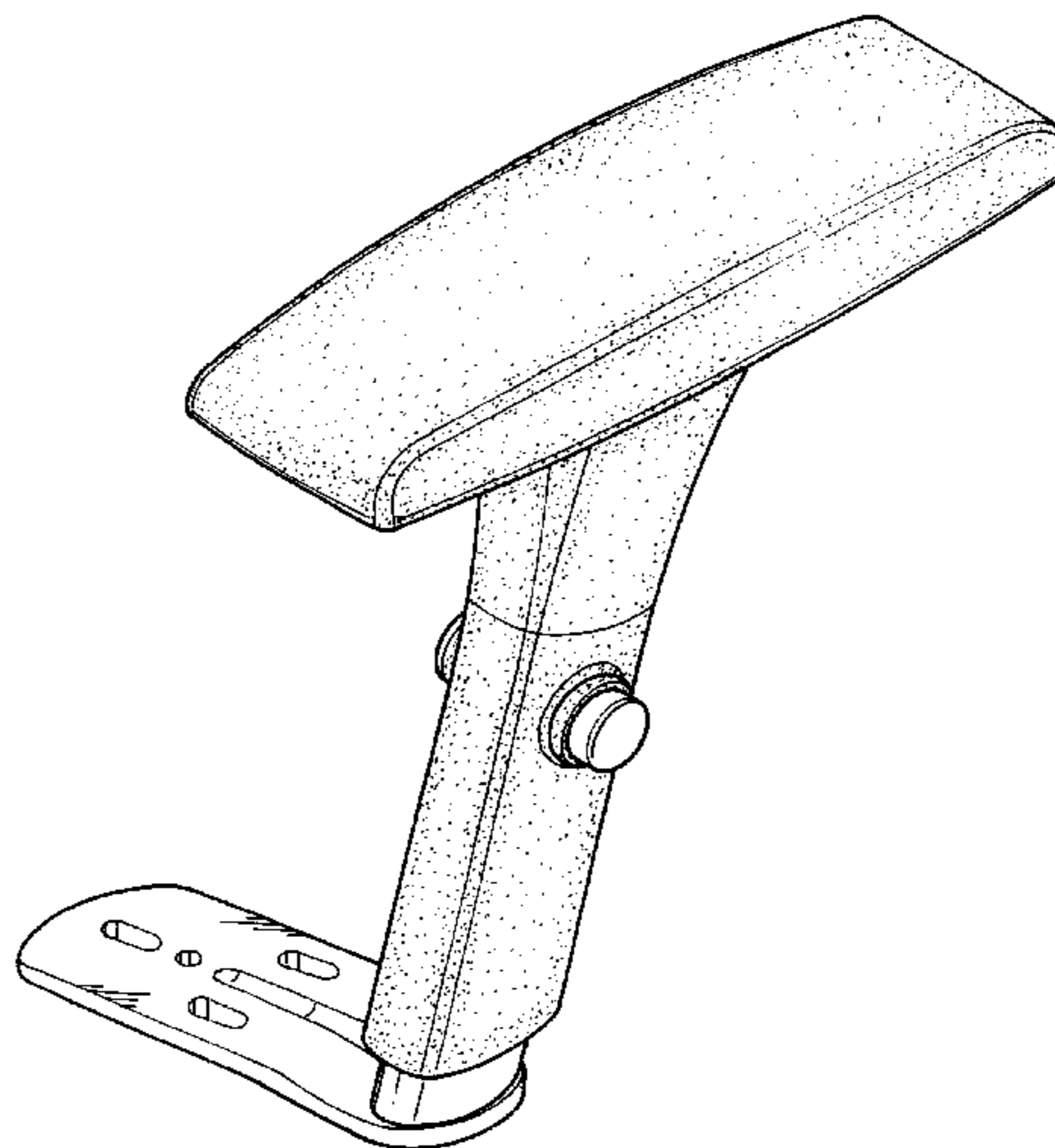
FIG. 4 is a left side elevational view thereof;

FIG. 5 is a right side elevational view thereof;

FIG. 6 is a top plan view thereof; and,

FIG. 7 is a bottom plan view thereof.

1 Claim, 4 Drawing Sheets



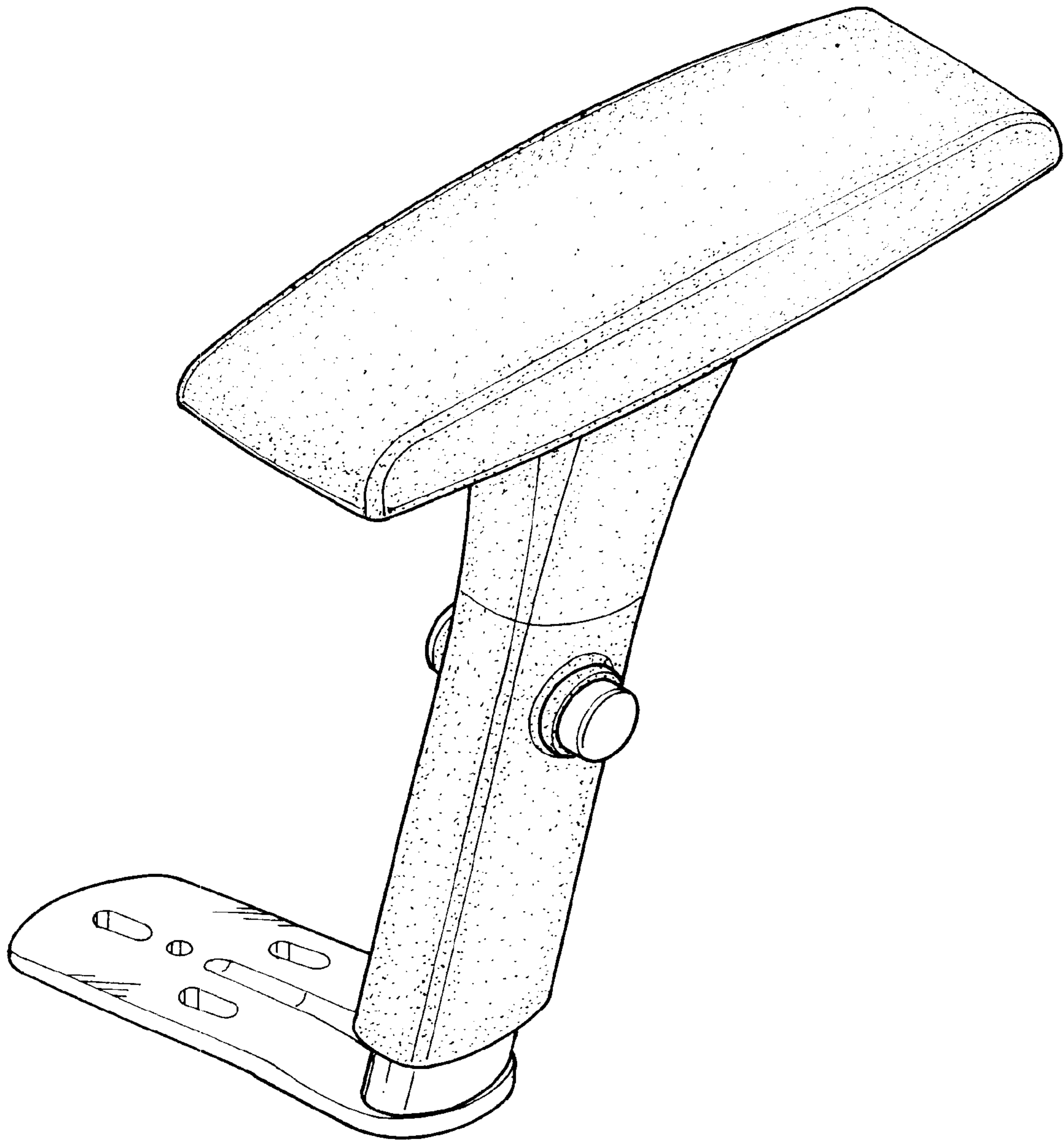


FIG. 1

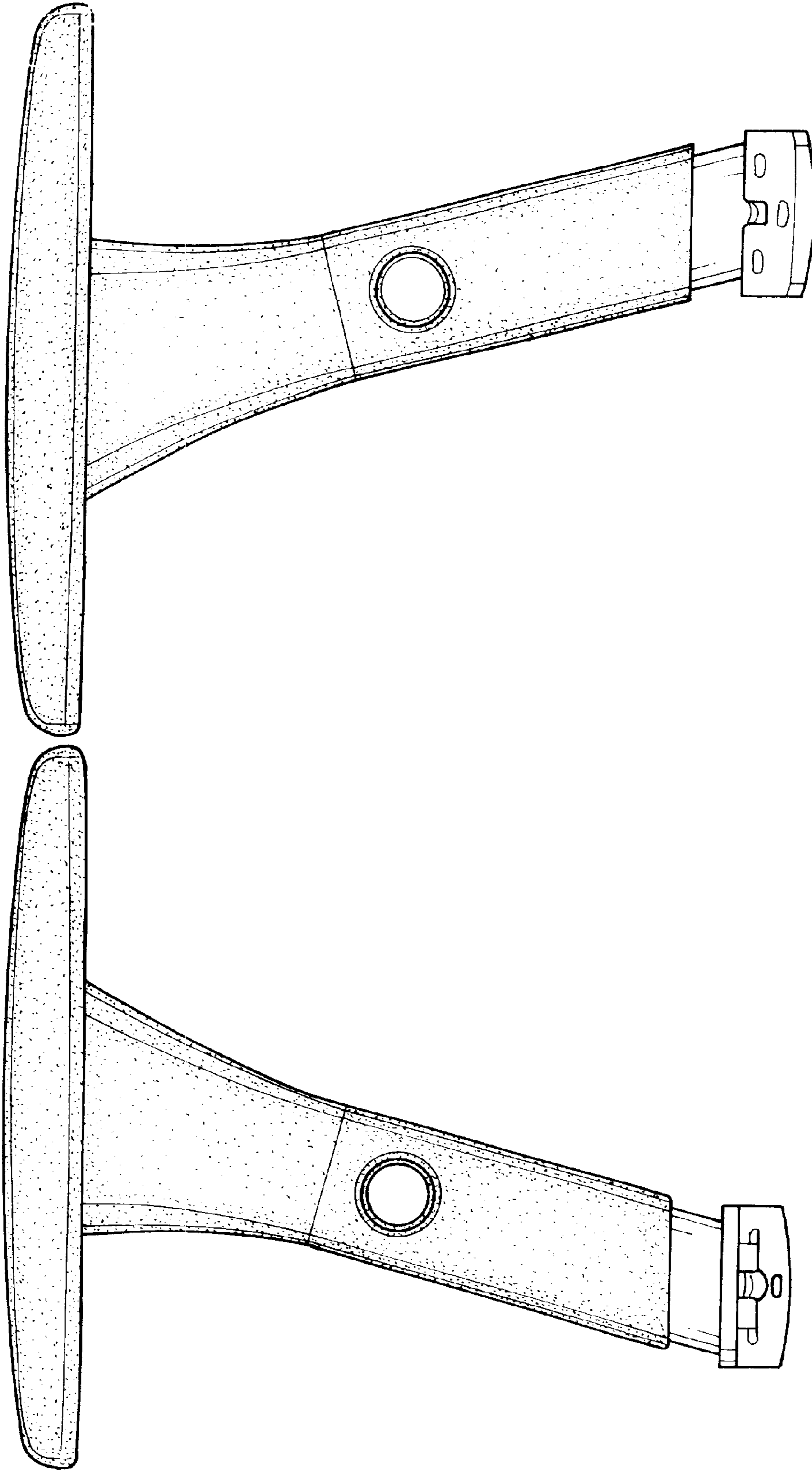


FIG. 2

FIG. 3

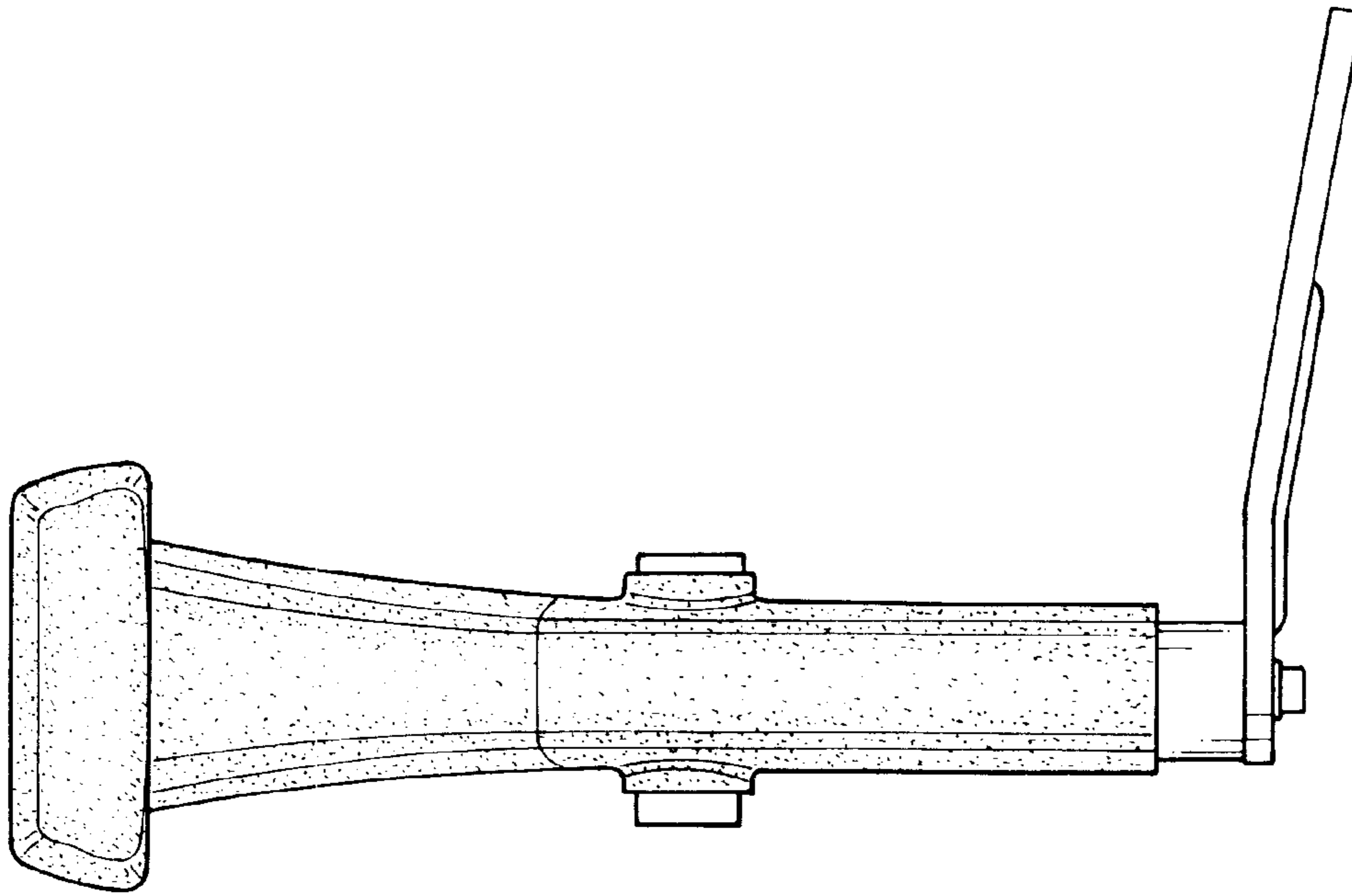


FIG. 5

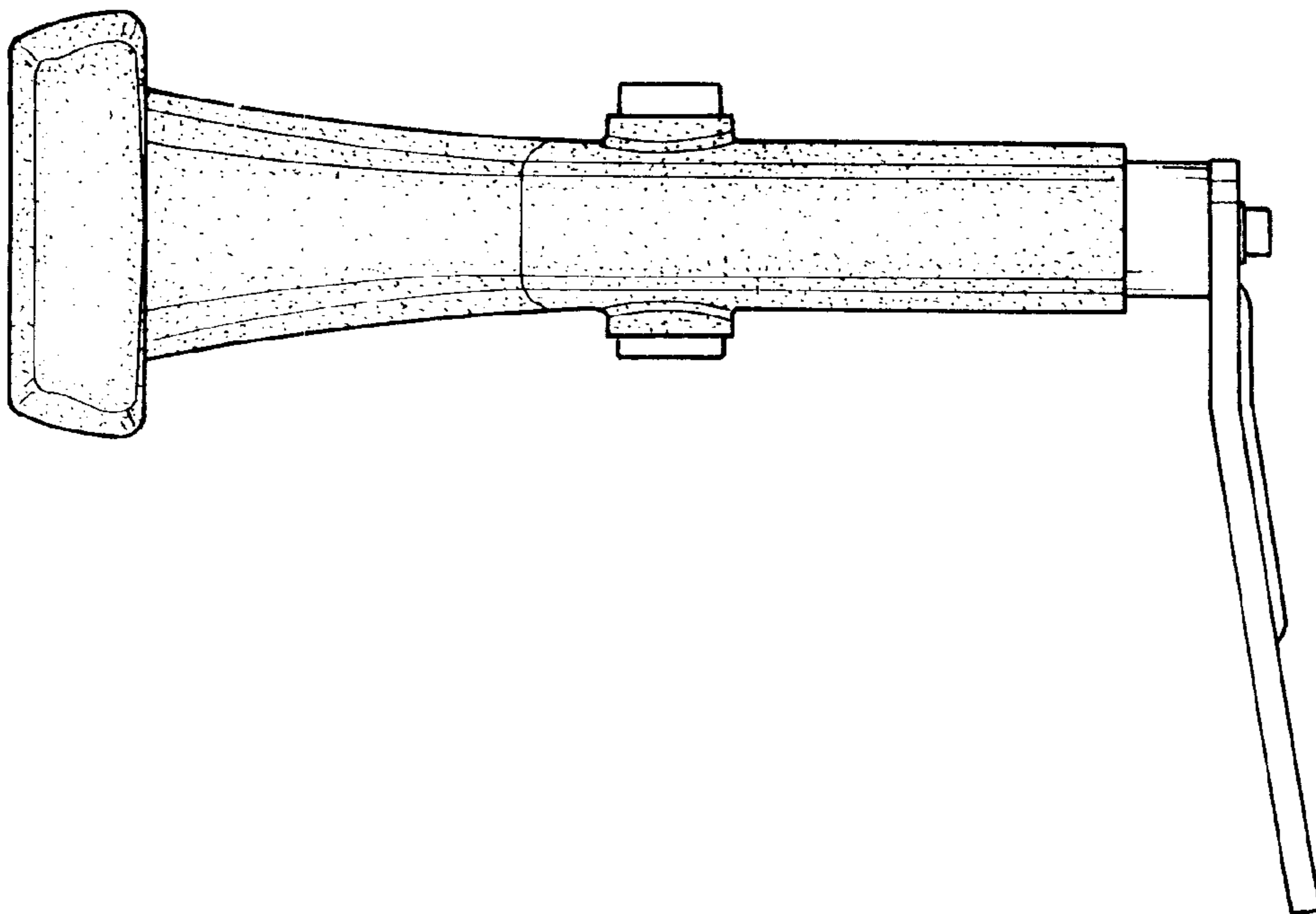


FIG. 4

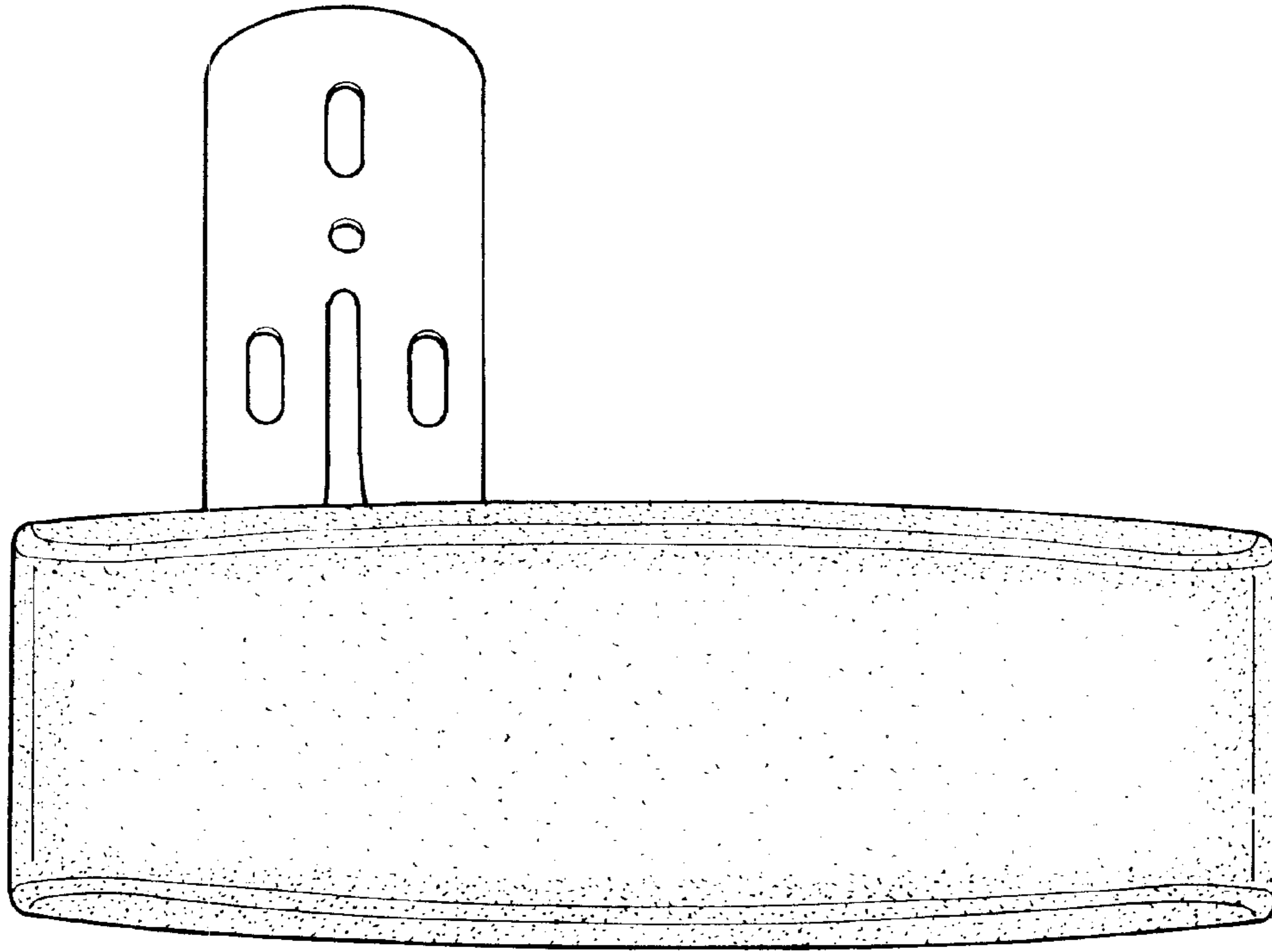


FIG. 6

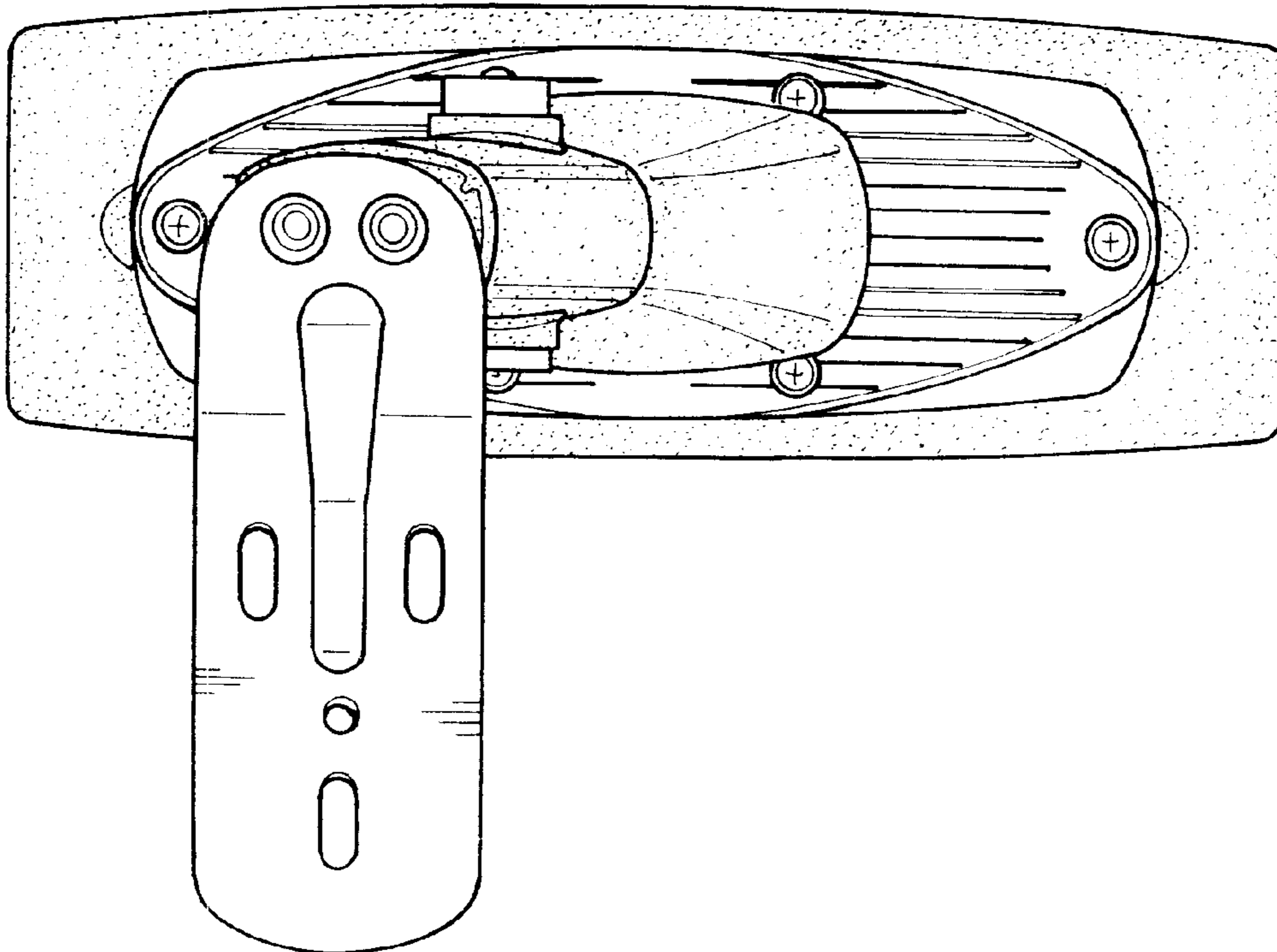


FIG. 7