



US00D535497S

(12) **United States Design Patent**
Portnoy

(10) **Patent No.:** **US D535,497 S**

(45) **Date of Patent:** **** Jan. 23, 2007**

(54) **AUDIO VIDEO SHELVING UNIT**

D516,840 S * 3/2006 deCarolis D6/477
D518,664 S * 4/2006 Villalobos et al. D6/477

(75) Inventor: **Ben Portnoy**, Morton, PA (US)

OTHER PUBLICATIONS

(73) Assignee: **Bell'O International, L.L.C.**,
Morganville, NJ (US)

Bell'O 2002 International Catalog, selected pages.

(**) Term: **14 Years**

* cited by examiner

(21) Appl. No.: **29/251,939**

Primary Examiner—Cathron C. Brooks

(22) Filed: **Jan. 17, 2006**

(74) *Attorney, Agent, or Firm*—Lerner, David, Littenberg
Krumholz & Mentlik, LLP

(51) **LOC (8) Cl.** **06-04**

(52) **U.S. Cl.** **D6/477**

(58) **Field of Classification Search** D6/460,
D6/461, 468, 474, 477–479; D14/129; 312/7.2,
312/9.1; 108/59, 91, 92, 96; 211/40, 41.12,
211/42, 49.1, 50, 85.2, 90.04, 187, 190, 119.003,
211/134.153, 87.01, 71.01

See application file for complete search history.

(57) **CLAIM**

The ornamental design for audio video shelving unit, as shown and described.

(56) **References Cited**

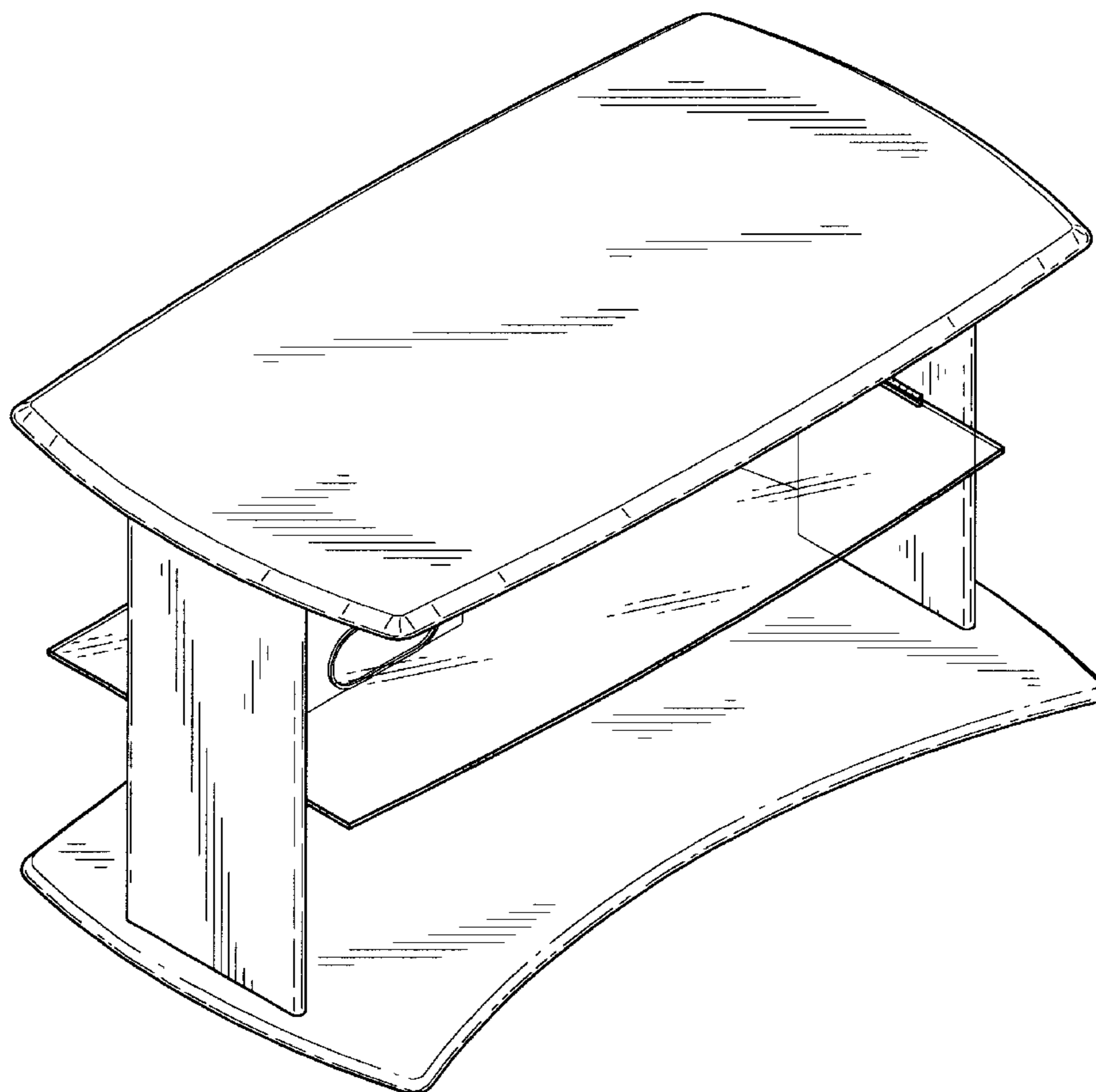
U.S. PATENT DOCUMENTS

D361,453 S * 8/1995 Sussman D6/474
D375,004 S * 10/1996 Josefsson D6/477
D472,075 S 3/2003 de Carolis
D483,966 S 12/2003 Forlenza et al.
D498,617 S * 11/2004 Murphy et al. D6/479
D506,329 S * 6/2005 Sexton D6/477

DESCRIPTION

FIG. 1 is a top perspective view of a first embodiment of the subject audio video shelving unit;
FIG. 2 is a front plan view thereof;
FIG. 3 is a rear view thereof;
FIG. 4 is a right side view thereof (the left side being a mirror image of the right side view);
FIG. 5 is a top plan view thereof; and,
FIG. 6 is a top perspective view of a second embodiment of the subject audio video system (all other views of the second embodiment having the same appearance as FIGS. 2–5).

1 Claim, 6 Drawing Sheets



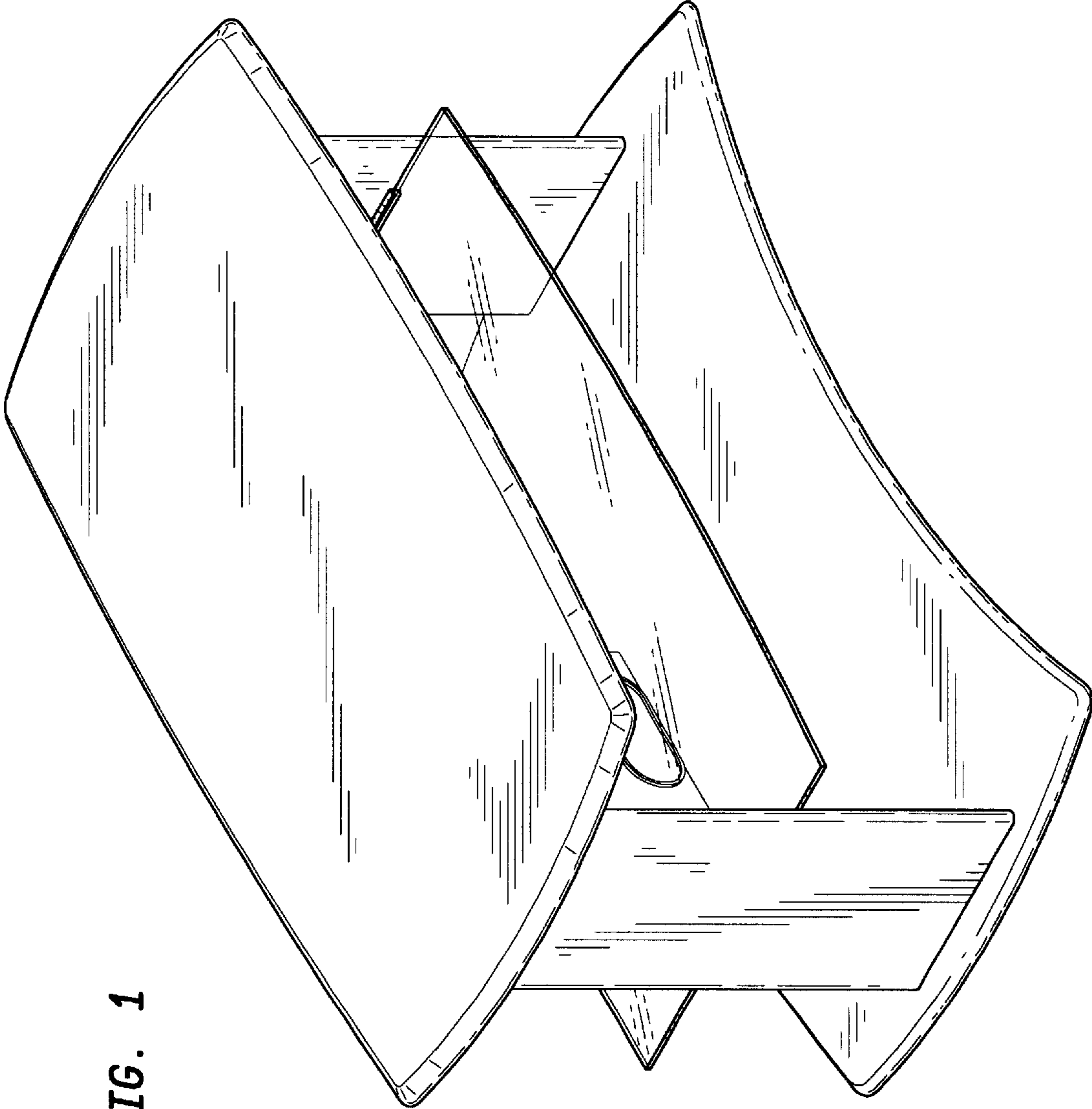


FIG. 1

FIG. 2

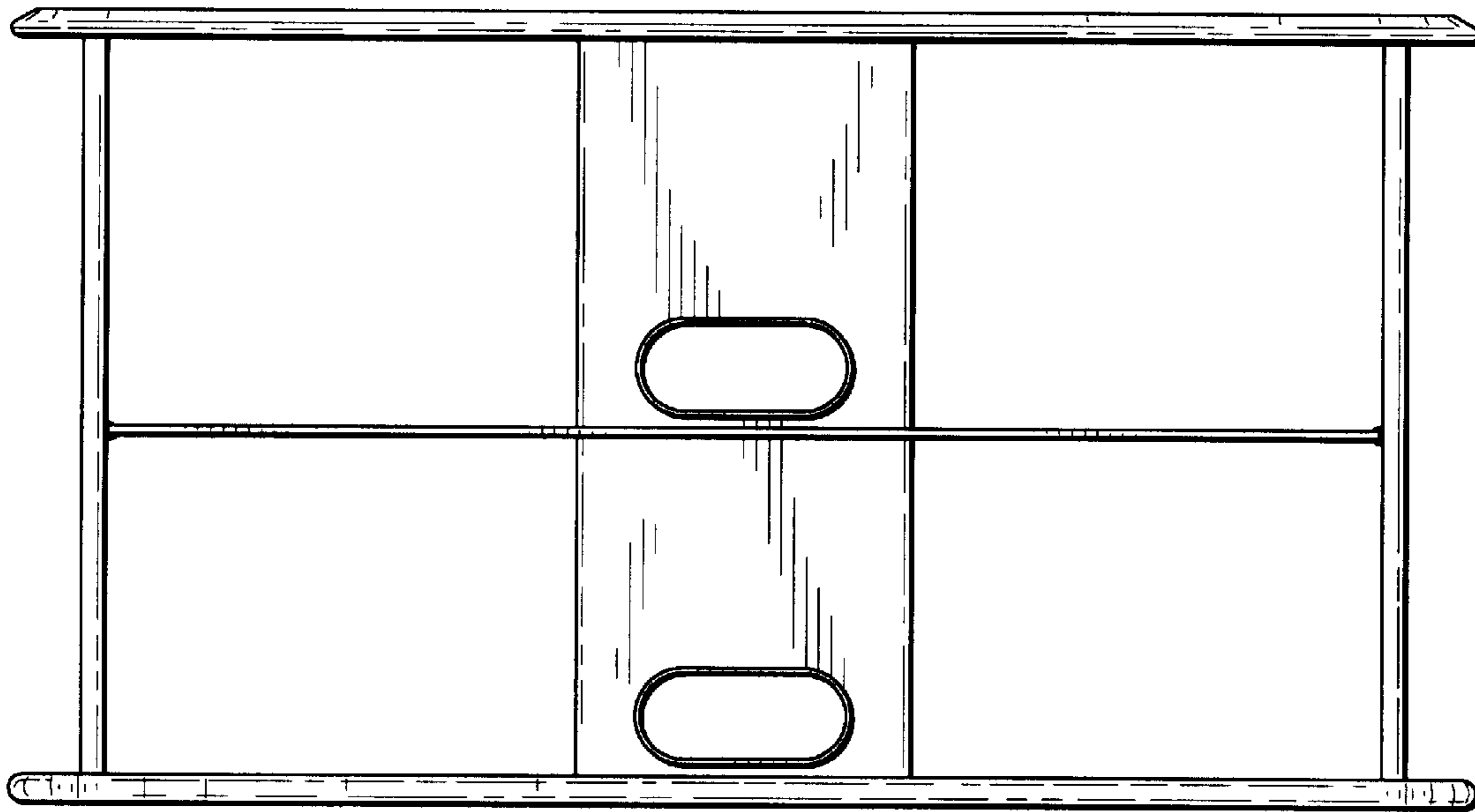


FIG. 3

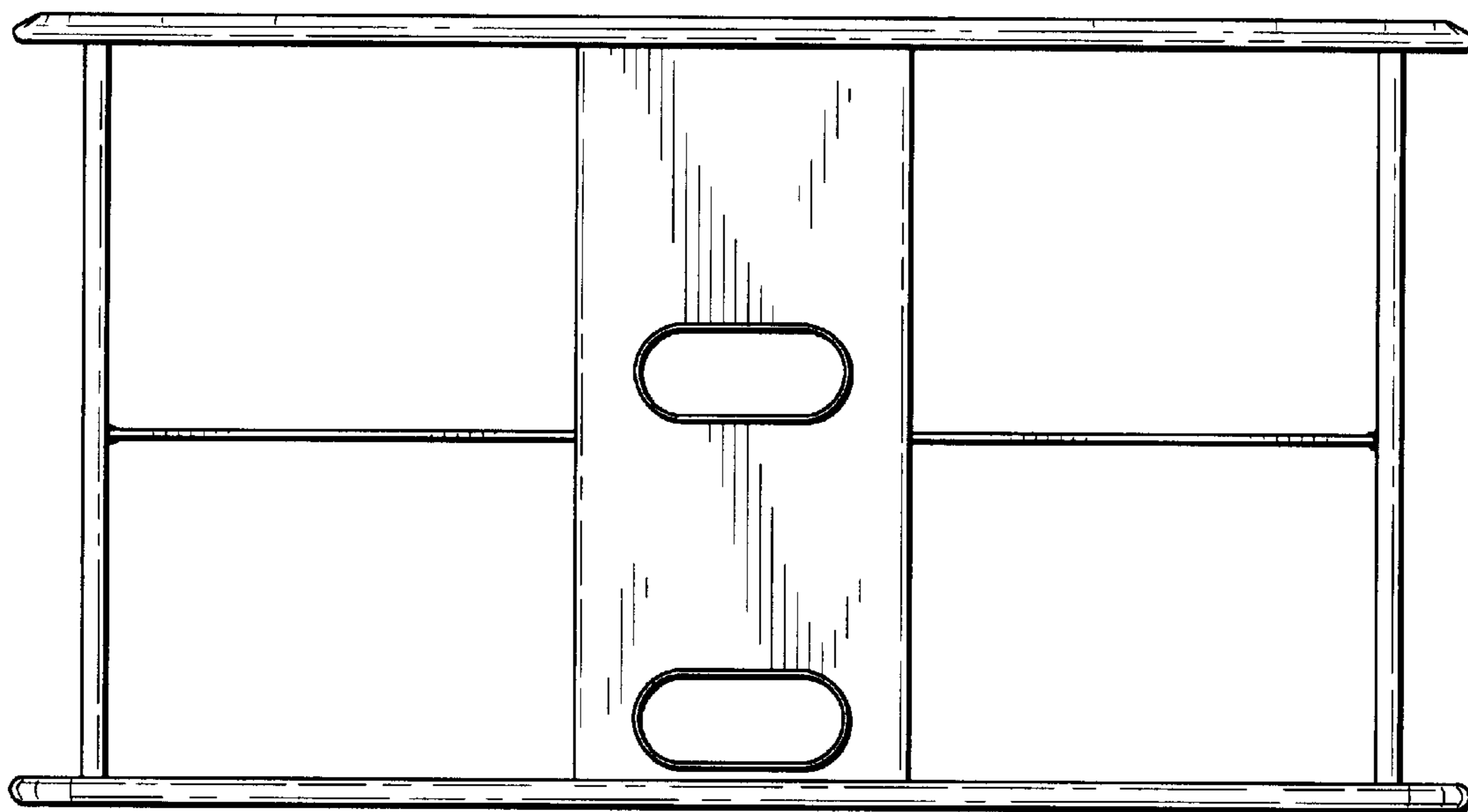


FIG. 4

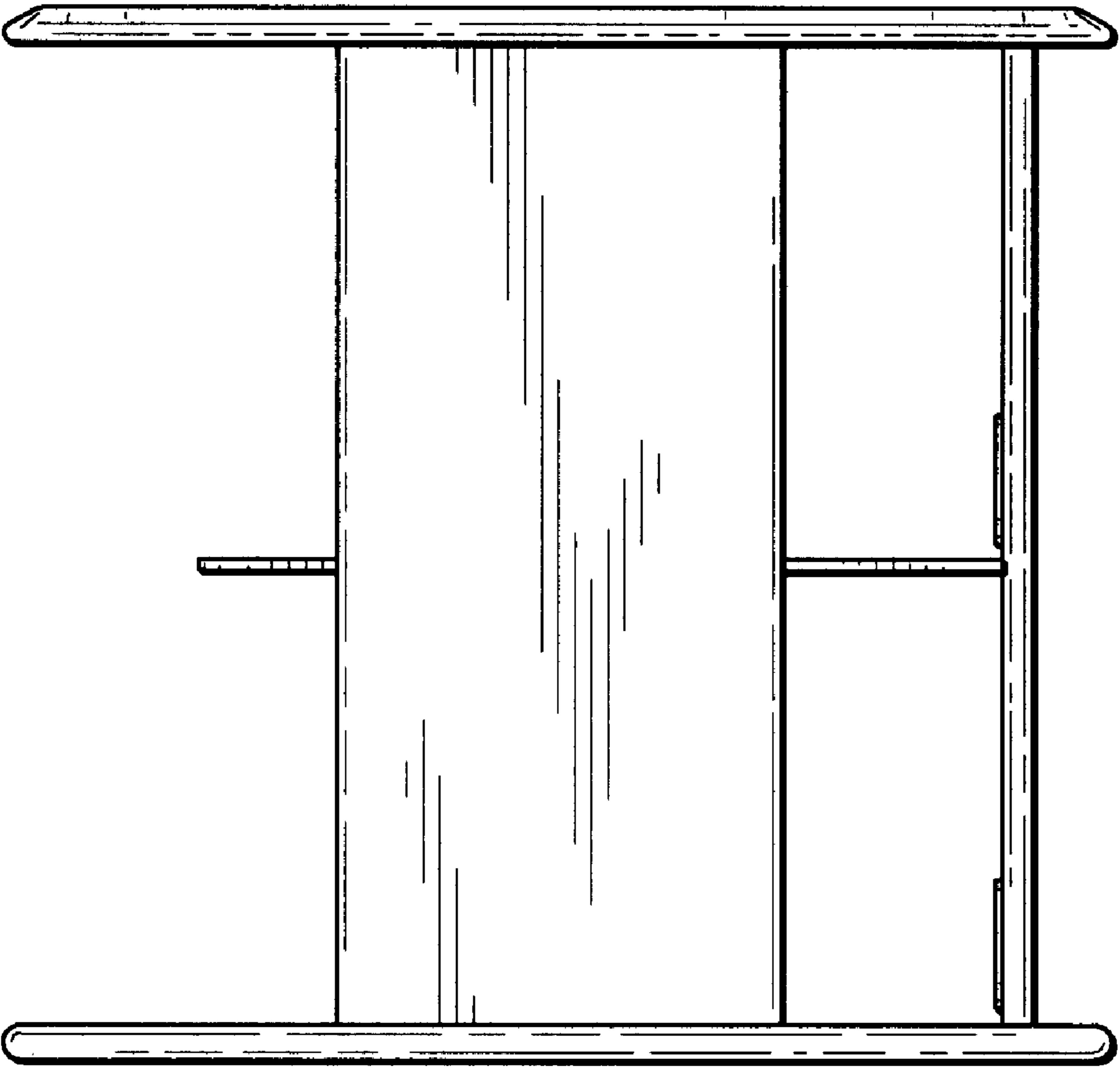
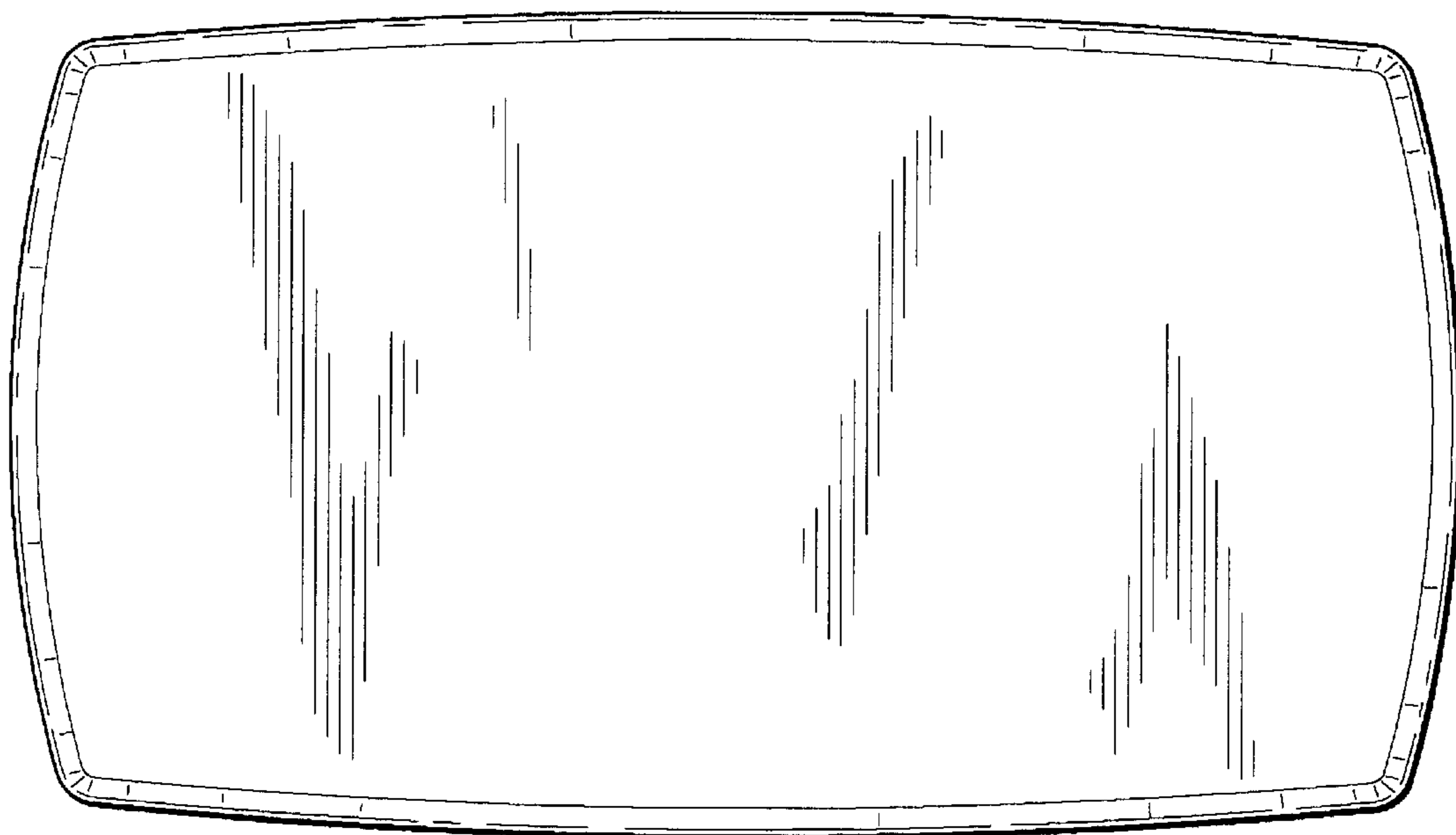


FIG. 5



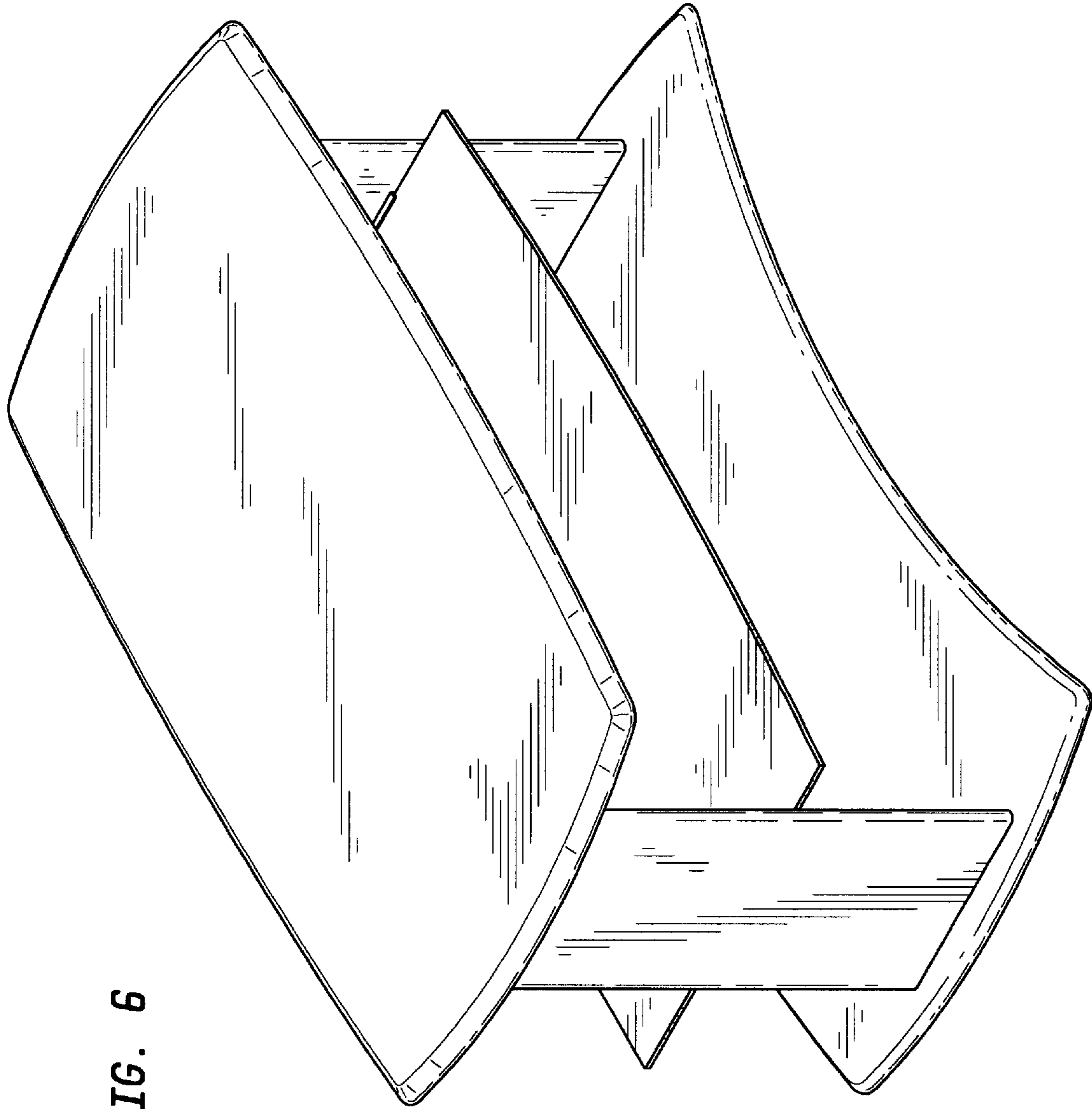


FIG. 6