



US00D535491S

(12) **United States Design Patent**  
**Wise**

(10) **Patent No.:** **US D535,491 S**

(45) **Date of Patent:** **\*\* Jan. 23, 2007**

(54) **CONVERTIBLE WORK BENCH**

(76) **Inventor:** **Robert W. Wise**, 365 Ely Rd.,  
Petaluma, CA (US) 94954

(\*\*) **Term:** **14 Years**

(21) **Appl. No.:** **29/226,877**

(22) **Filed:** **Apr. 1, 2005**

(51) **LOC (8) Cl.** ..... **06-03**

(52) **U.S. Cl.** ..... **D6/400**

(58) **Field of Classification Search** ..... D6/400,  
D6/429, 430, 431, 509; D15/141, 140, 133;  
269/17, 41, 79, 901; 144/286.1, 286 A, 286 R,  
144/287 R; 83/471.1, 471.2, 471.3

See application file for complete search history.

(56) **References Cited**

**U.S. PATENT DOCUMENTS**

- 4,655,466 A \* 4/1987 Hanaoka ..... 280/47.371
- D293,983 S \* 2/1988 Aldridge, Sr. .... D6/400
- 4,763,907 A \* 8/1988 Raymond ..... 280/47.35
- 4,998,742 A \* 3/1991 Maynard ..... 280/35
- D324,439 S \* 3/1992 Churchill et al. .... D34/17

- D357,140 S \* 4/1995 Hollinger ..... D6/400
- 6,371,496 B1 \* 4/2002 Balolia ..... 280/35
- D519,747 S \* 5/2006 Wu ..... D6/400
- 7,059,616 B2 \* 6/2006 Wu ..... 280/47.24

\* cited by examiner

*Primary Examiner*—Caron D. Veynar

*Assistant Examiner*—Sydney R. Buffalow

(74) *Attorney, Agent, or Firm*—Black Lowe Graham PLLC

(57) **CLAIM**

The ornamental design for a convertible work bench, as shown.

**DESCRIPTION**

FIG. 1 is a top left front perspective view of a convertible work bench showing my new design.

FIG. 2 is a left side elevational view thereof.

FIG. 3 is a front elevational view thereof.

FIG. 4 is a rear elevational view thereof.

FIG. 5 is a right side elevational view thereof.

FIG. 6 is a top plan view thereof; and,

FIG. 7 is a bottom plan view thereof.

**1 Claim, 6 Drawing Sheets**

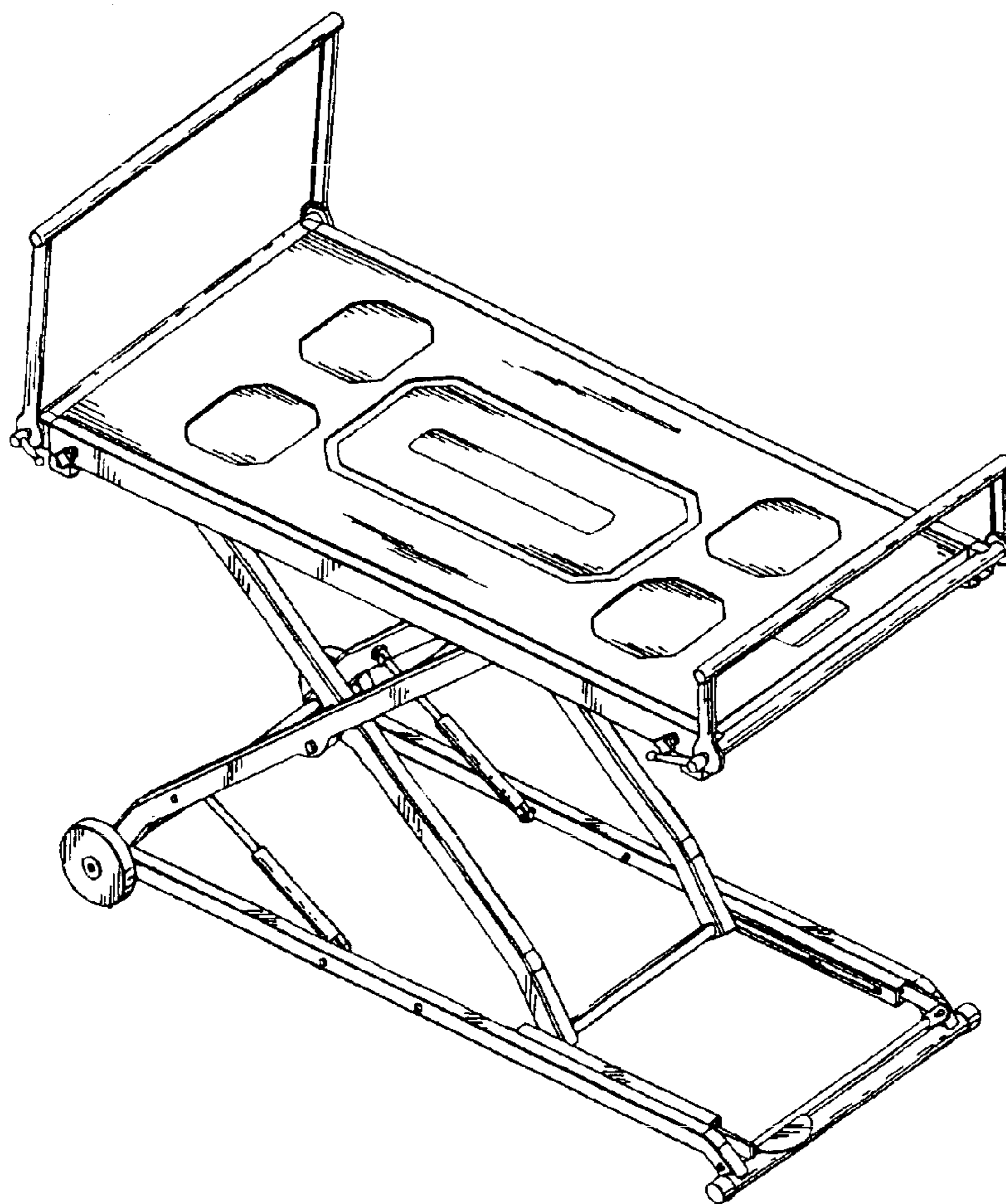
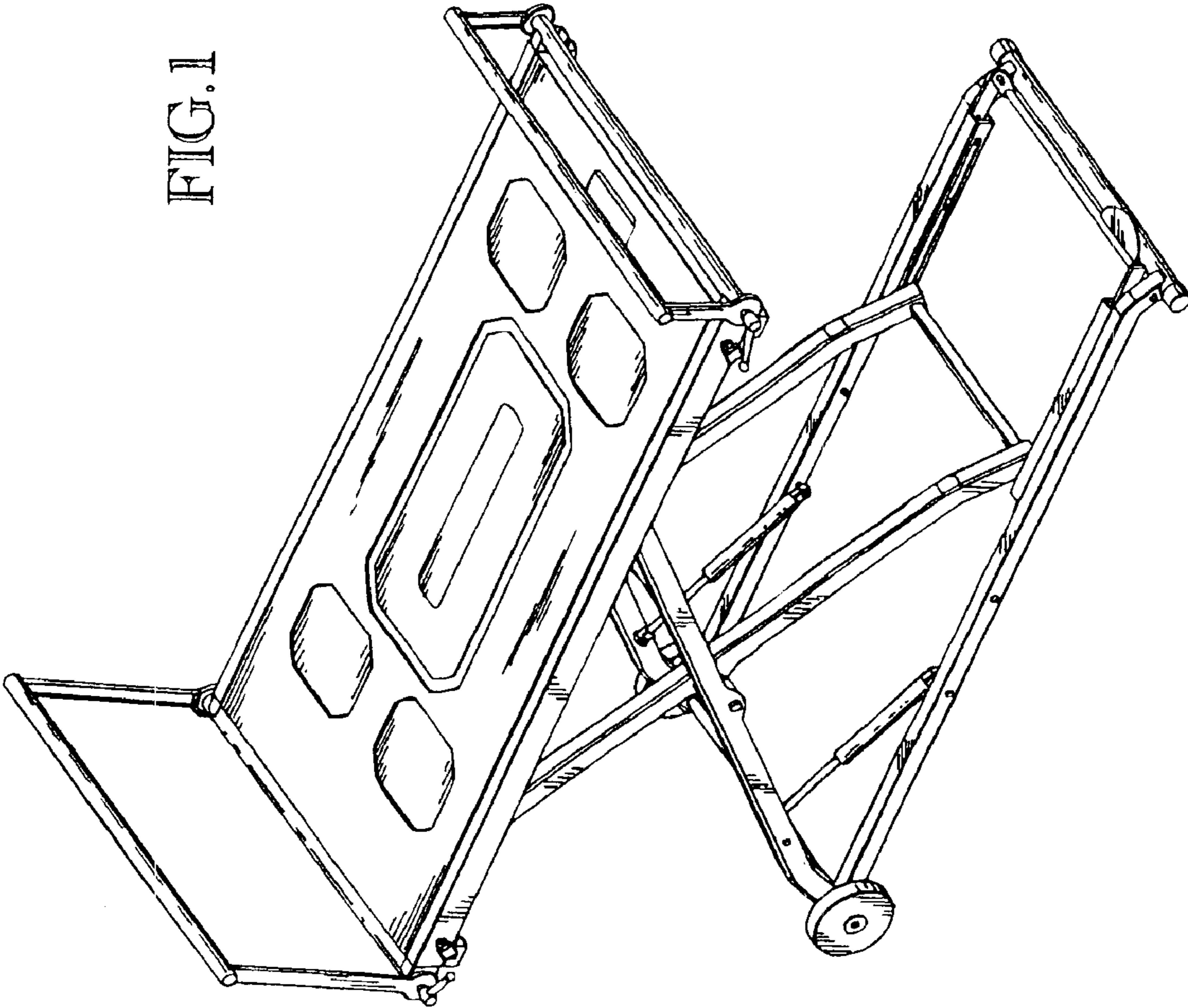
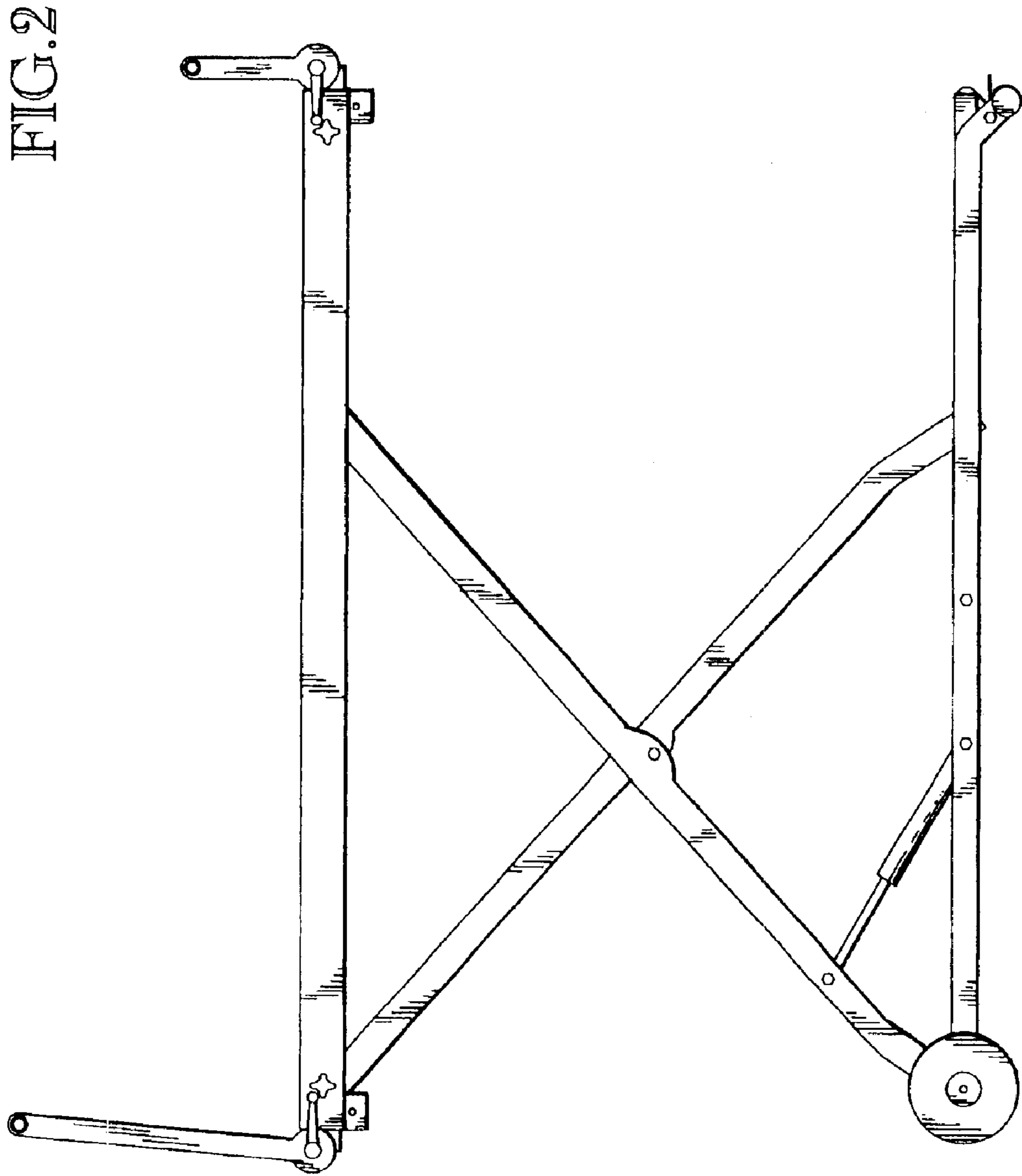


FIG. 1





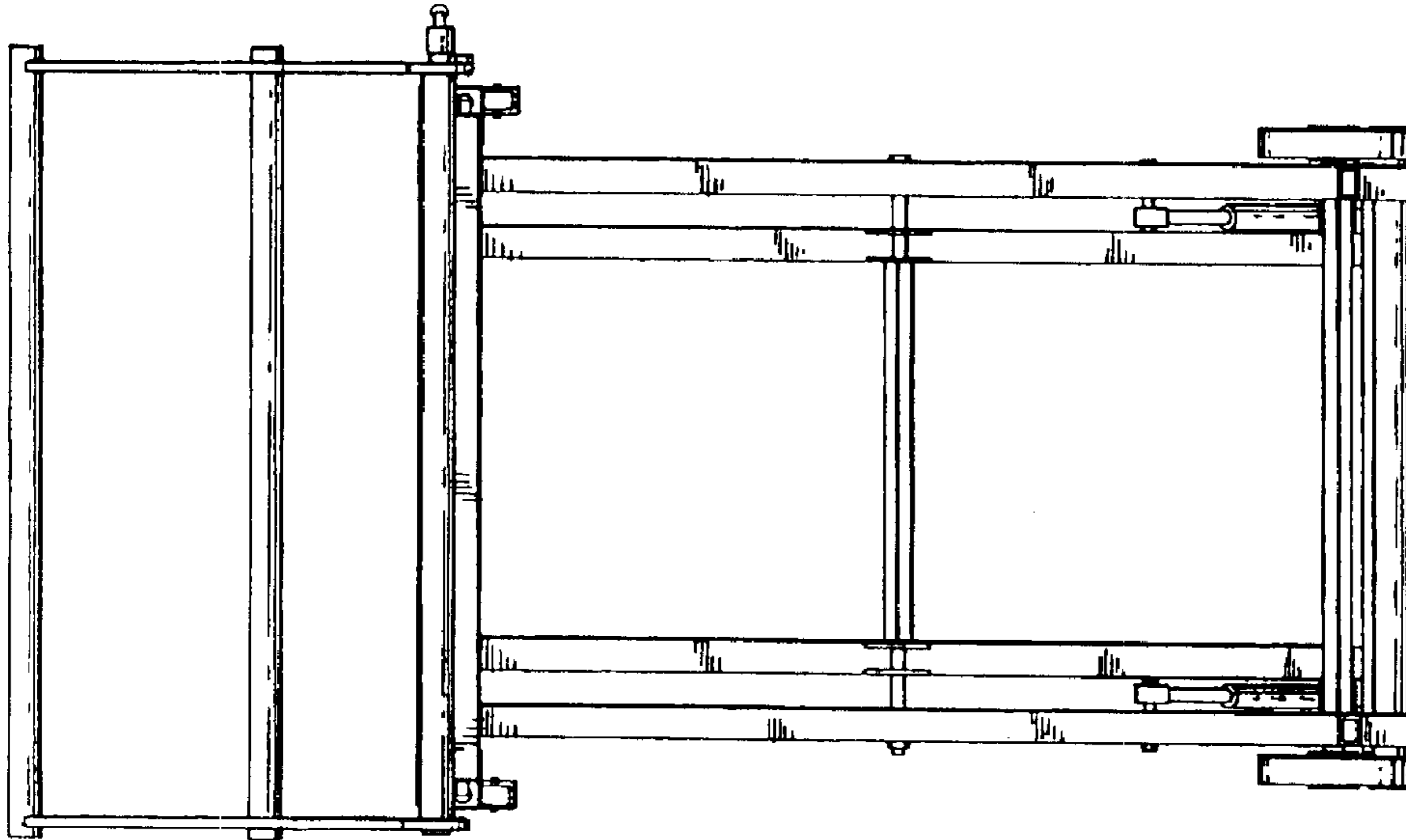


FIG. 4

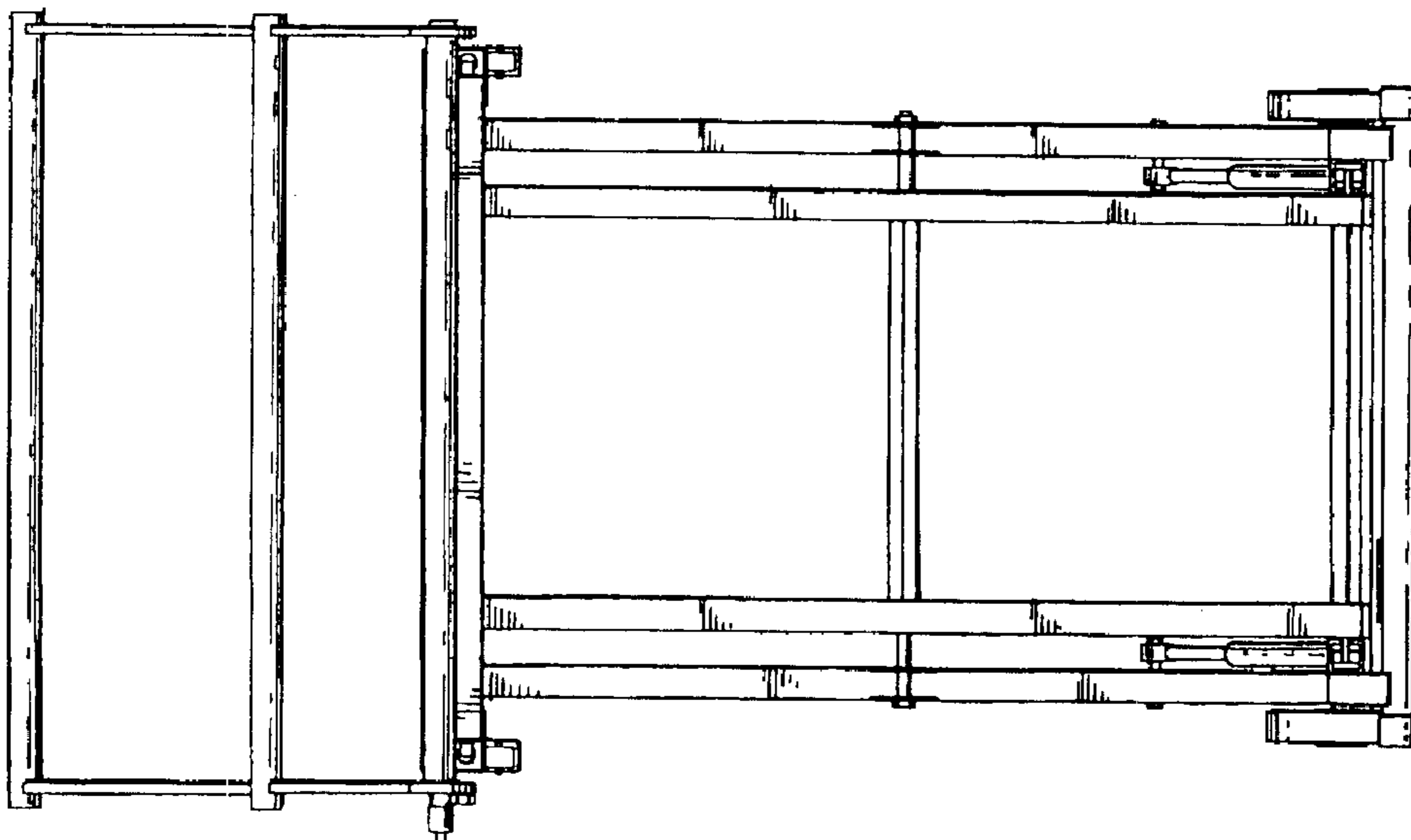


FIG. 3

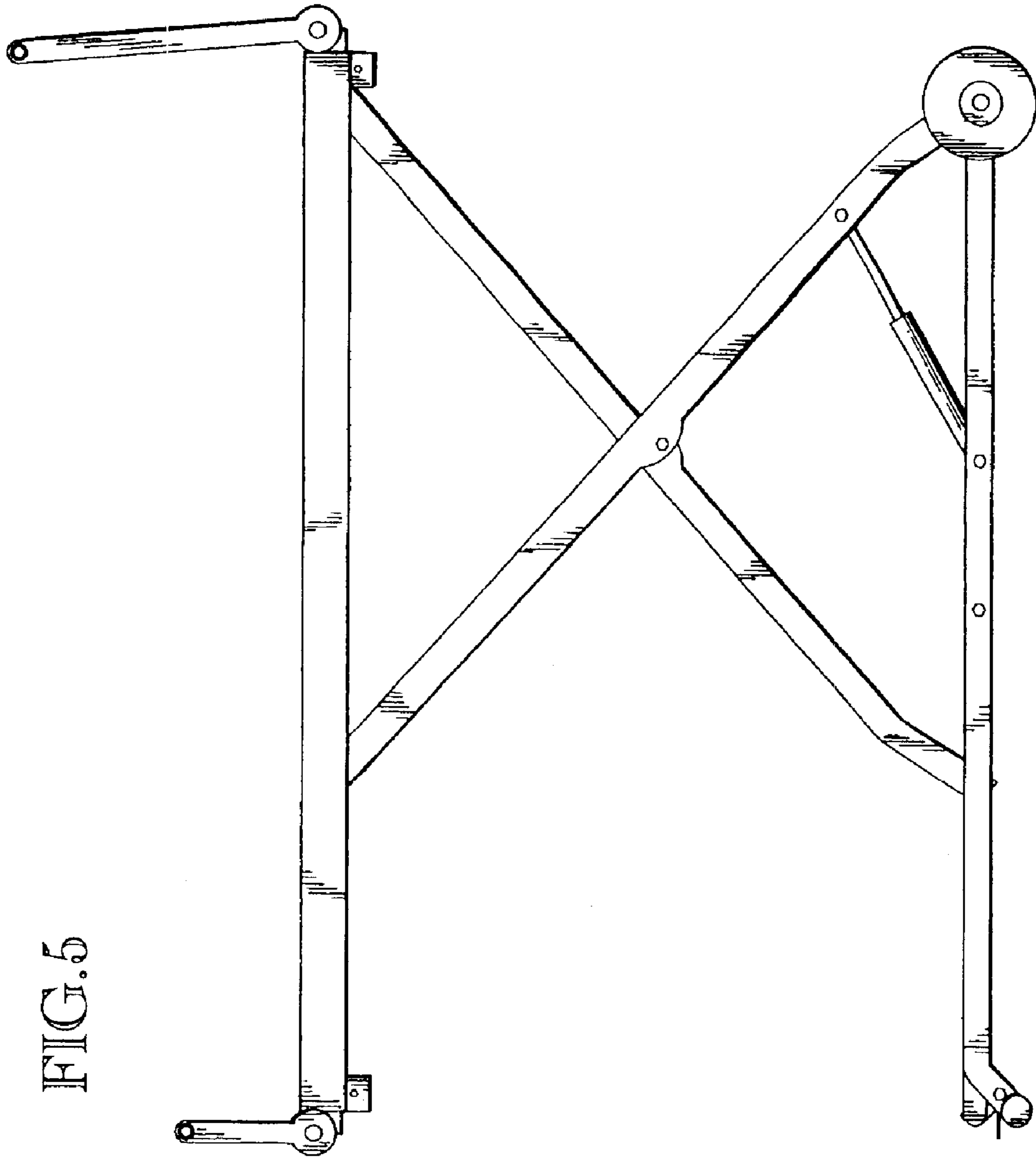


FIG. 5

FIG. 6

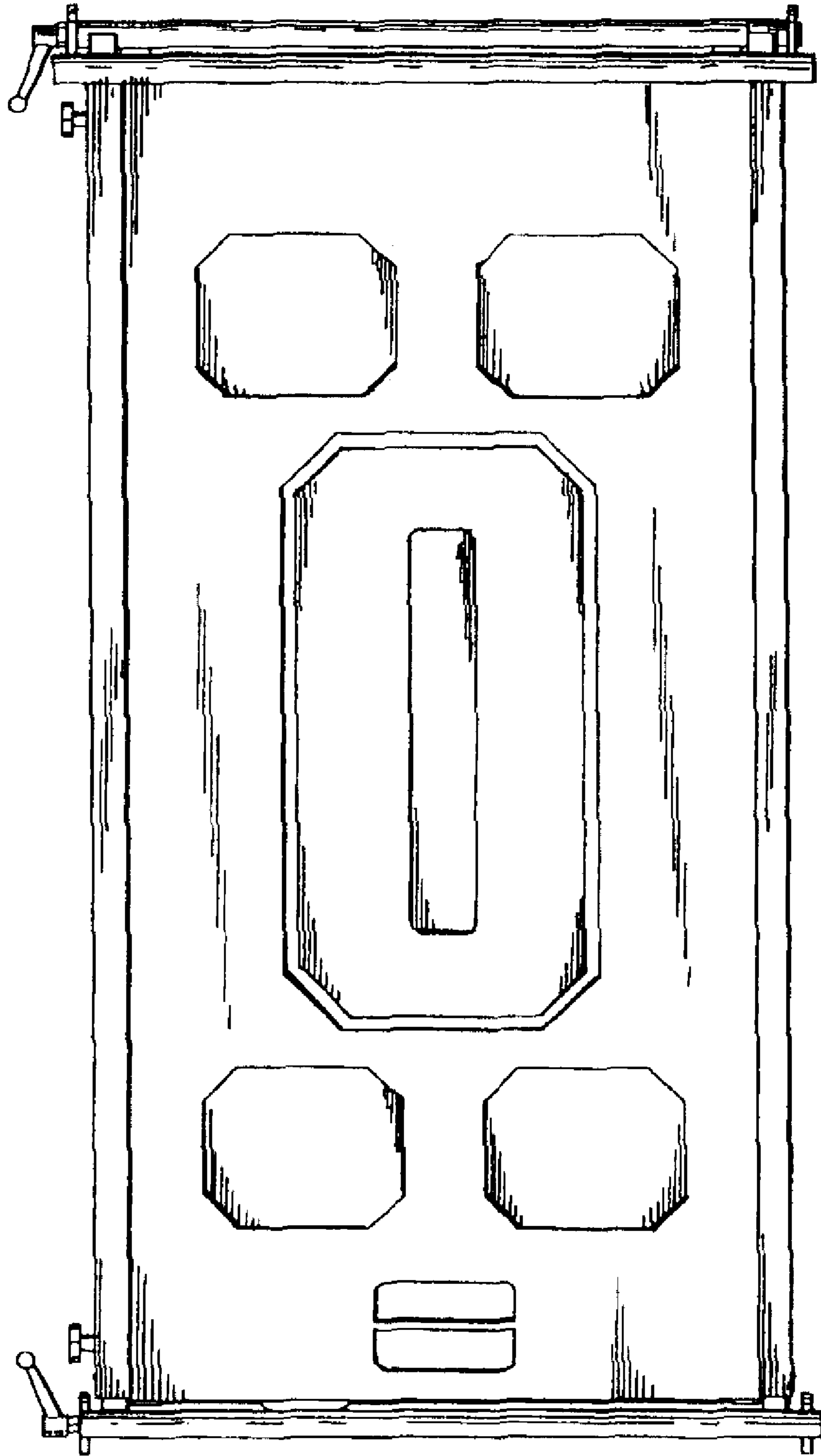


FIG. 7

