



US00D535490S

(12) **United States Design Patent**
Wise

(10) **Patent No.:** **US D535,490 S**

(45) **Date of Patent:** **** Jan. 23, 2007**

(54) **WORK BENCH**

(76) **Inventor:** **Robert W. Wise**, 365 Ely Rd.,
Petaluma, CA (US) 94954

(**) **Term:** **14 Years**

(21) **Appl. No.:** **29/224,736**

(22) **Filed:** **Mar. 4, 2005**

(51) **LOC (8) Cl.** **06-03**

(52) **U.S. Cl.** **D6/400**

(58) **Field of Classification Search** D6/400,
D6/429, 430, 431, 509; D15/141, 140, 133;
269/17, 41, 79, 901; 144/286.1, 286 A, 286 R,
144/287 R; 83/471.1, 471.2, 471.3
See application file for complete search history.

(56) **References Cited**

U.S. PATENT DOCUMENTS

- D256,533 S * 8/1980 Alessio D6/400
- D266,128 S * 9/1982 Ferdinand et al. D6/400
- D351,295 S * 10/1994 Noniewicz D6/400

- 5,383,977 A * 1/1995 Pearce 144/1.1
- D374,996 S * 10/1996 Noniewicz D6/400
- D386,624 S * 11/1997 Meisner et al. D6/400
- D448,948 S * 10/2001 Wolff D6/400
- 6,883,793 B2 * 4/2005 Fortin et al. 269/139

* cited by examiner

Primary Examiner—Caron D. Veynar

Assistant Examiner—Sydney R. Buffalow

(74) *Attorney, Agent, or Firm*—Black Lowe Graham PLLC

(57) **CLAIM**

The ornamental design for a work bench, as shown.

DESCRIPTION

FIG. 1 is a top right front perspective view of a work bench showing my new design.

FIG. 2 is a bottom right front perspective view thereof.

FIG. 3 is a right side elevational view thereof.

FIG. 4 is a left side elevational view thereof.

FIG. 5 is a rear elevational view thereof; and,

FIG. 6 is a front elevational view thereof.

1 Claim, 4 Drawing Sheets

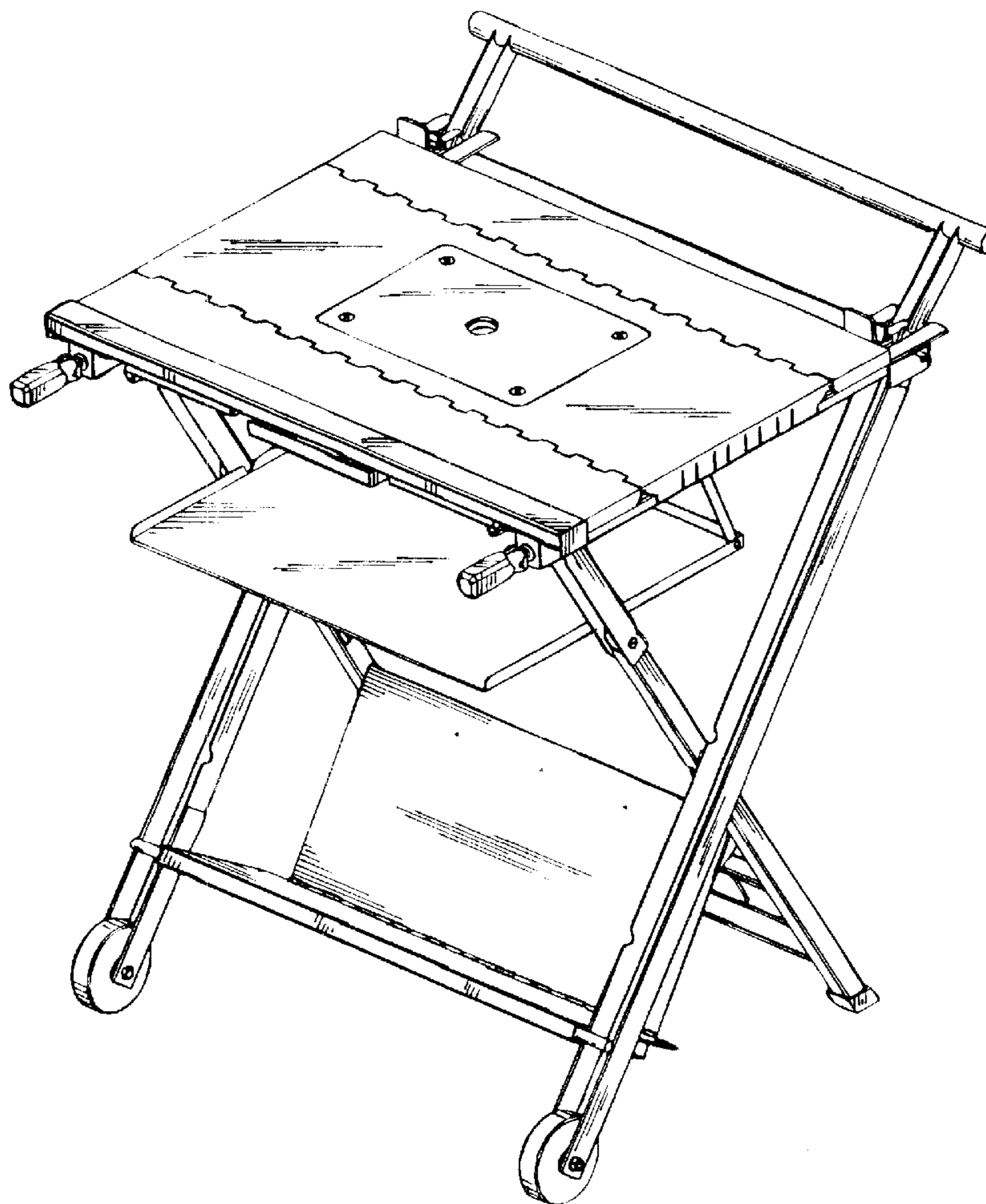


FIG. 1

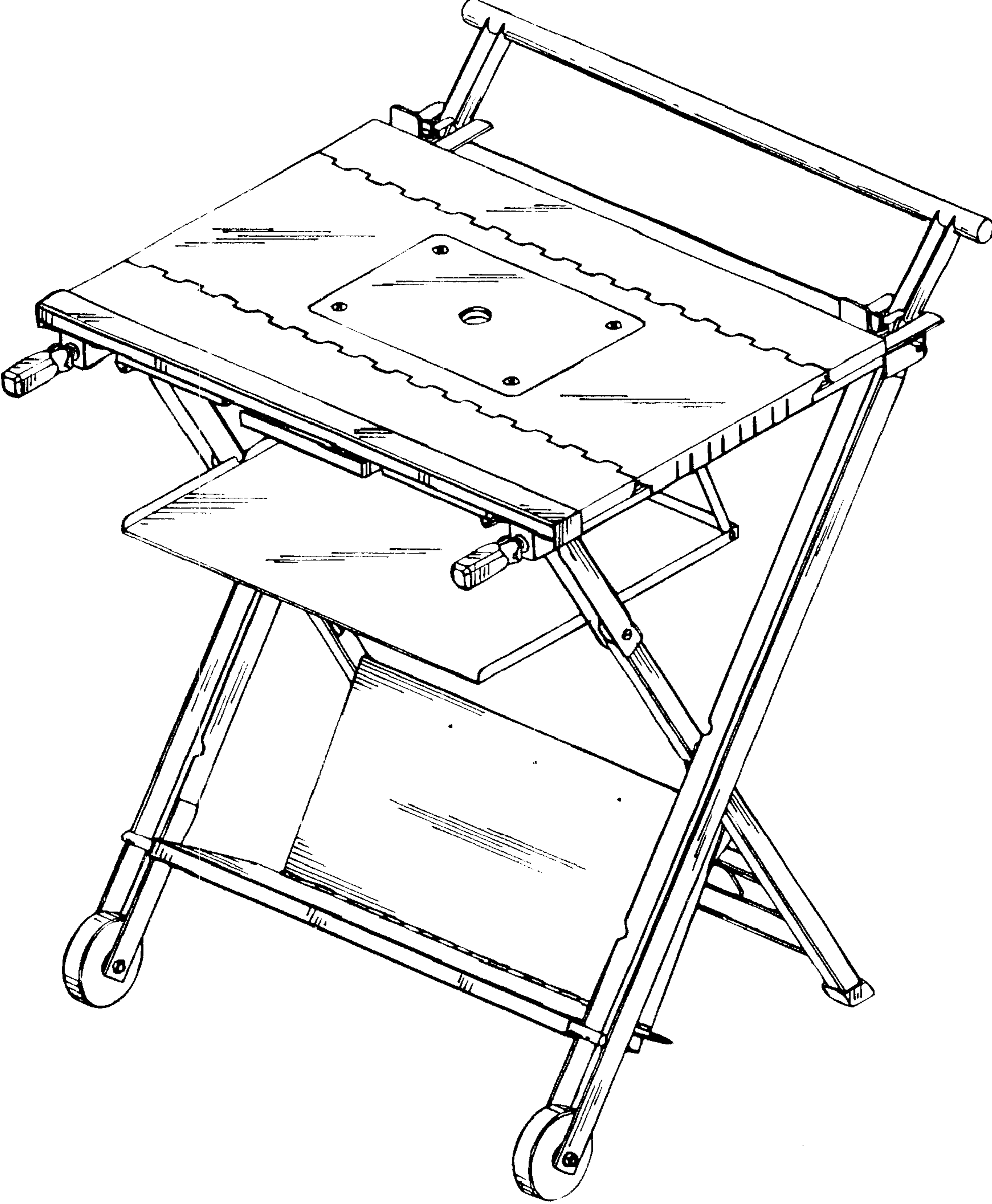
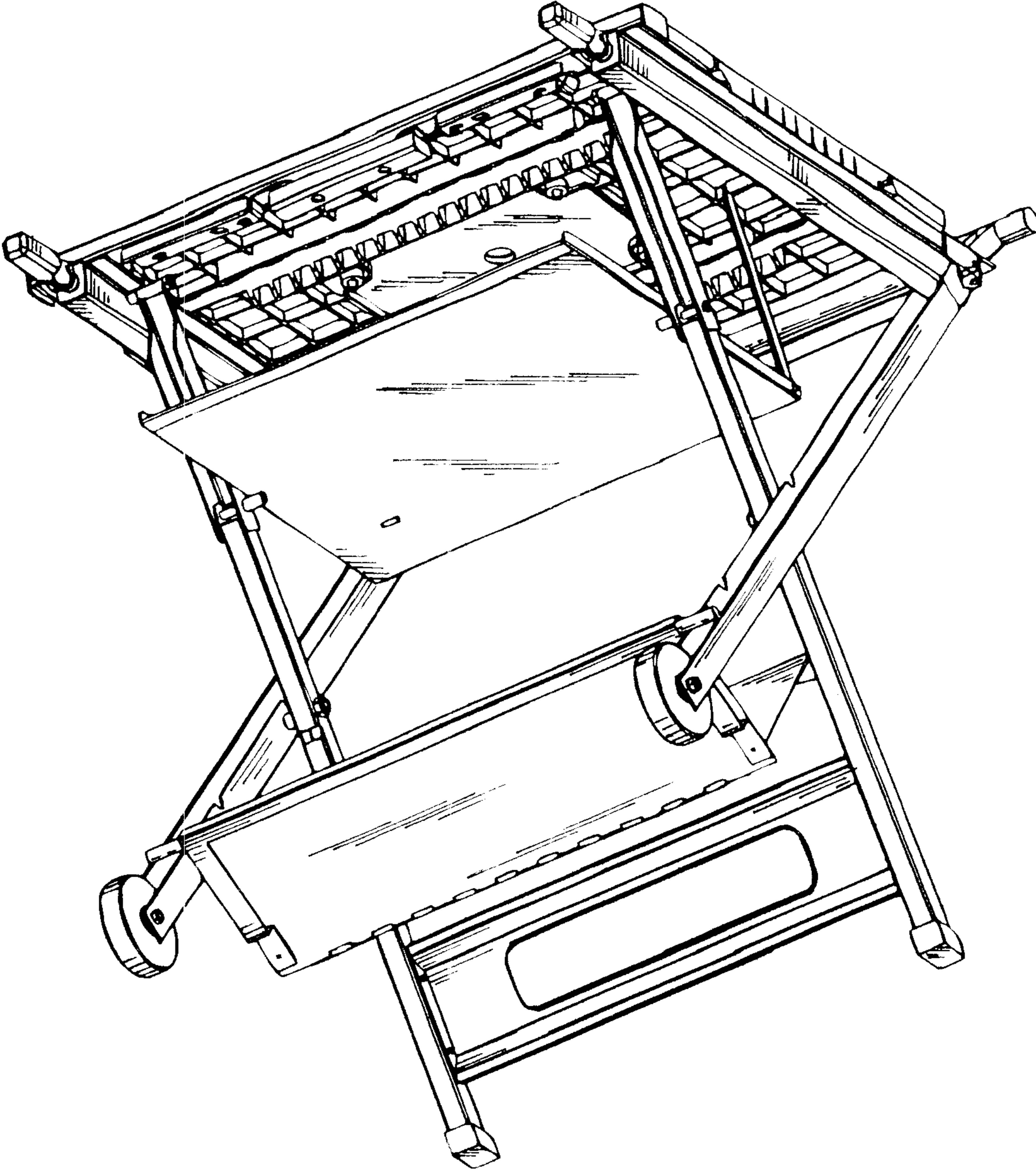


FIG. 2



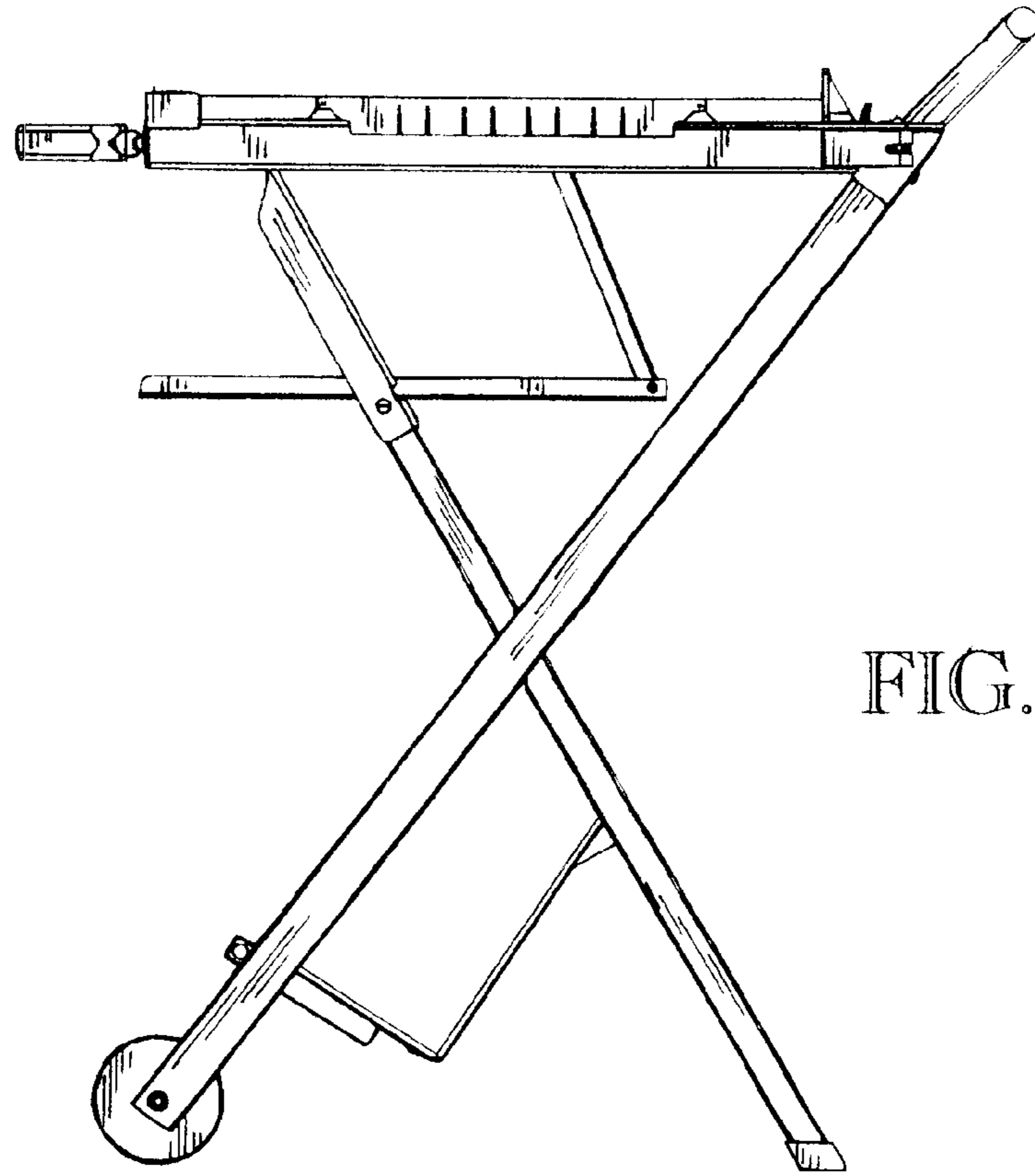


FIG. 3

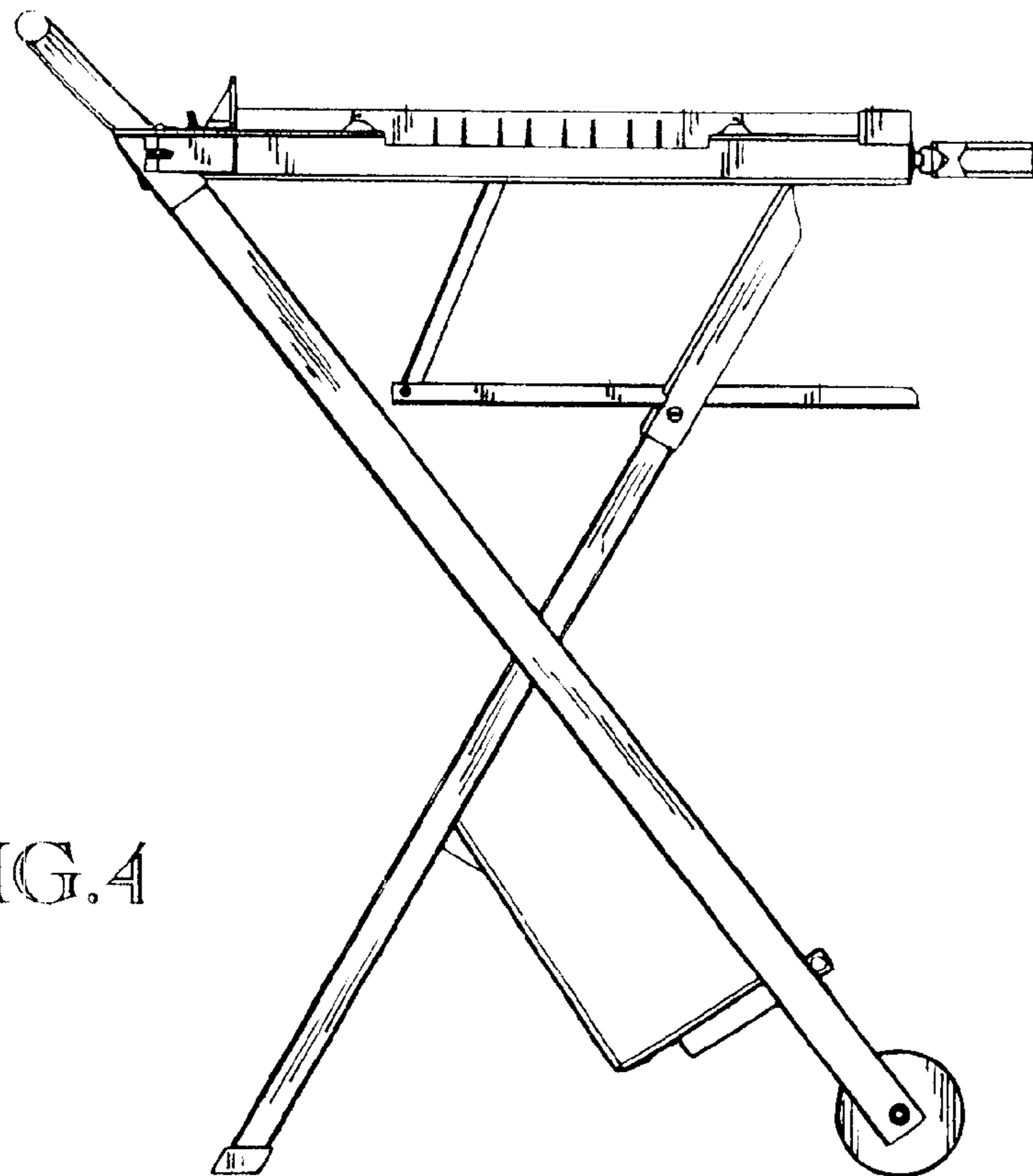


FIG. 4

FIG. 6

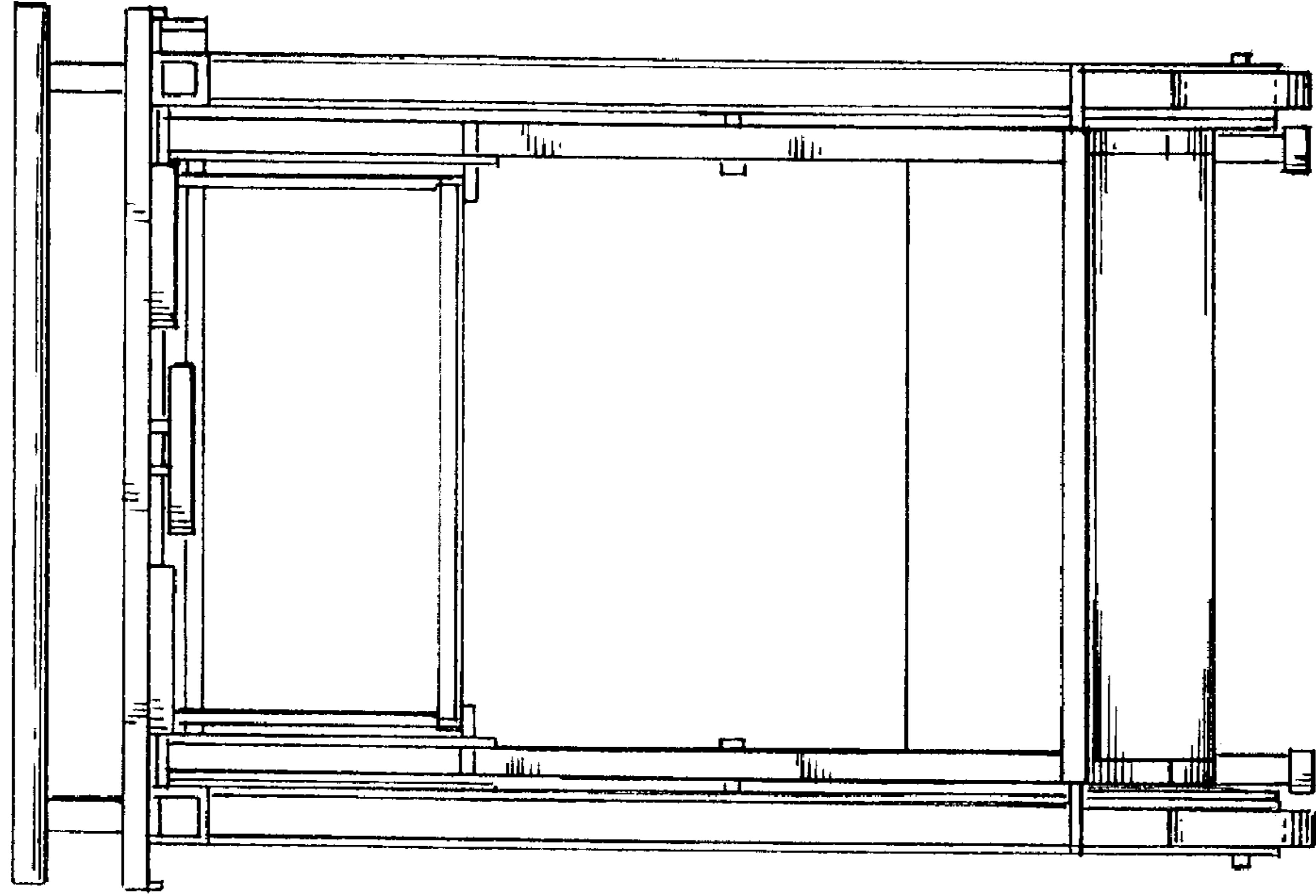


FIG. 5

