



US00D535484S

(12) **United States Design Patent**
May

(10) **Patent No.:** **US D535,484 S**

(45) **Date of Patent:** **** Jan. 23, 2007**

(54) **CHAIR**

(76) **Inventor:** **Gordon G. May**, 2513 Pinot La.,
Modesto, CA (US) 95356

(**) **Term:** **14 Years**

(21) **Appl. No.:** **29/243,060**

(22) **Filed:** **Nov. 18, 2005**

(51) **LOC (8) Cl. 06-01**

(52) **U.S. Cl. D6/336**

(58) **Field of Classification Search** D6/334-336,
D6/349, 358, 353, 356, 360, 377, 364-366,
D6/368-370, 379-381, 500-502; 297/16.1,
297/68, 452.1, 452.2, 461, 118; D11/149;
5/12.1, 653, 655.3

See application file for complete search history.

(56) **References Cited**

U.S. PATENT DOCUMENTS

D48,324 S	*	12/1915	McLarty	D6/336
D254,581 S	*	4/1980	Linto	D6/336
D260,823 S	*	9/1981	Stulik, Jr.	D6/335
D263,658 S	*	4/1982	Saporiti	D6/334
D263,770 S	*	4/1982	Melchior	D6/334
D264,649 S	*	6/1982	Saporiti	D6/334
D265,531 S	*	7/1982	Brukoff	D6/364
D291,033 S	*	7/1987	McLeod	D6/334

D369,493 S	*	5/1996	LaRoche	D6/334
D424,314 S	*	5/2000	Linder	D6/334
D426,714 S	*	6/2000	Linder	D6/334
D446,030 S	*	8/2001	Linder	D6/334
D446,949 S	*	8/2001	Linder	D6/335
D455,018 S	*	4/2002	Myers et al.	D6/336

* cited by examiner

Primary Examiner—Sandra S. Snapp

(74) *Attorney, Agent, or Firm*—R. Michael West

(57) **CLAIM**

The ornamental design for a chair, as shown and described.

DESCRIPTION

FIG. 1 is a left front perspective view of a chair, showing my new design;

FIG. 2 is an elevational view of the left side, thereof;

FIG. 3 is a top plan view, thereof;

FIG. 4 is a front elevational view, thereof;

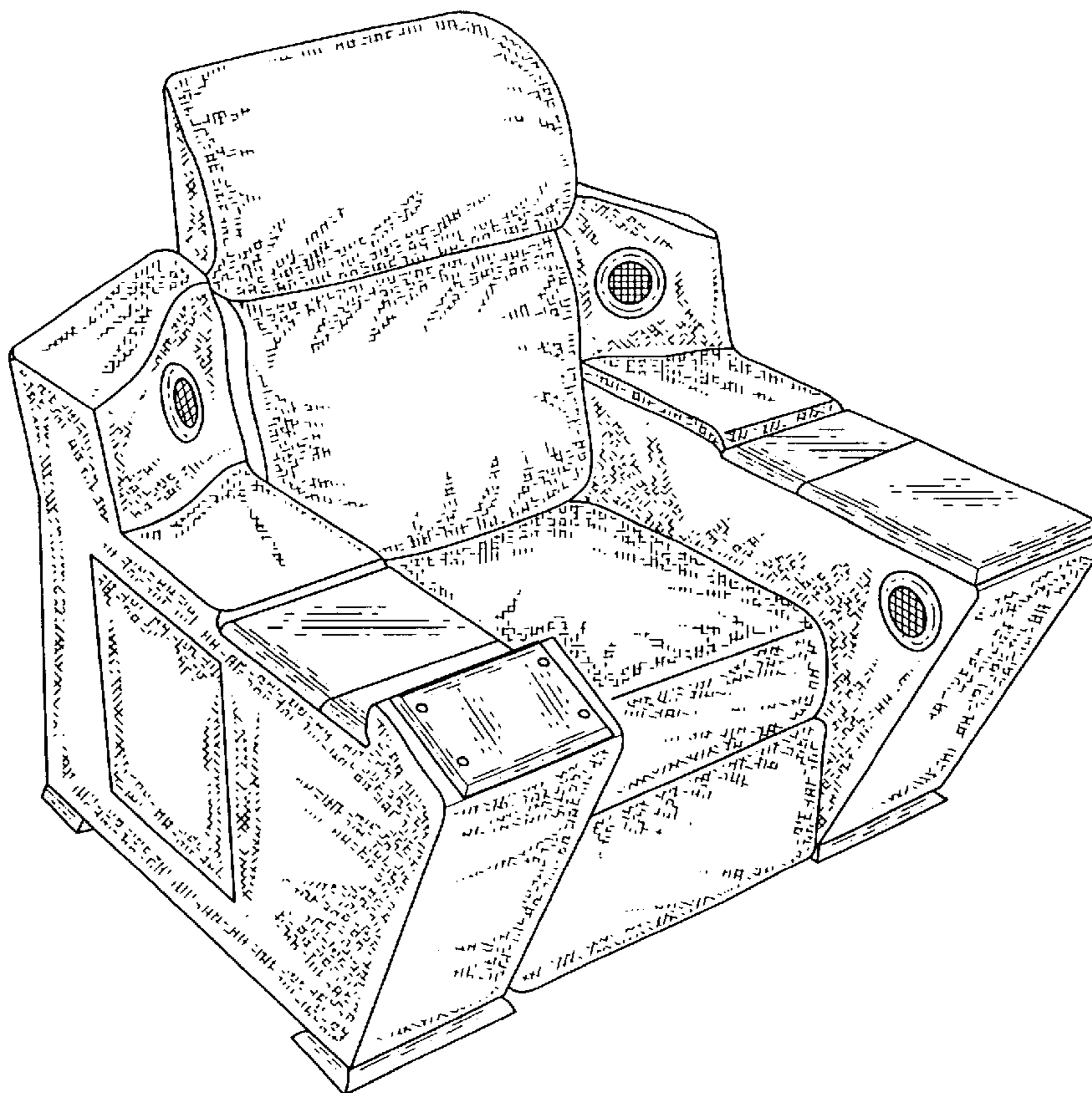
FIG. 5 is a rear elevational view, thereof;

FIG. 6 is an elevational view of the right side, thereof;

FIG. 7 is a bottom plan view, thereof; and,

FIG. 8 is a perspective view taken from an elevated position, showing the arm compartment covers in alternative open position, the broken-line representation of the video monitor, mount, and keyboard being included solely for illustrative purposes, forming no part of the claimed design.

1 Claim, 3 Drawing Sheets



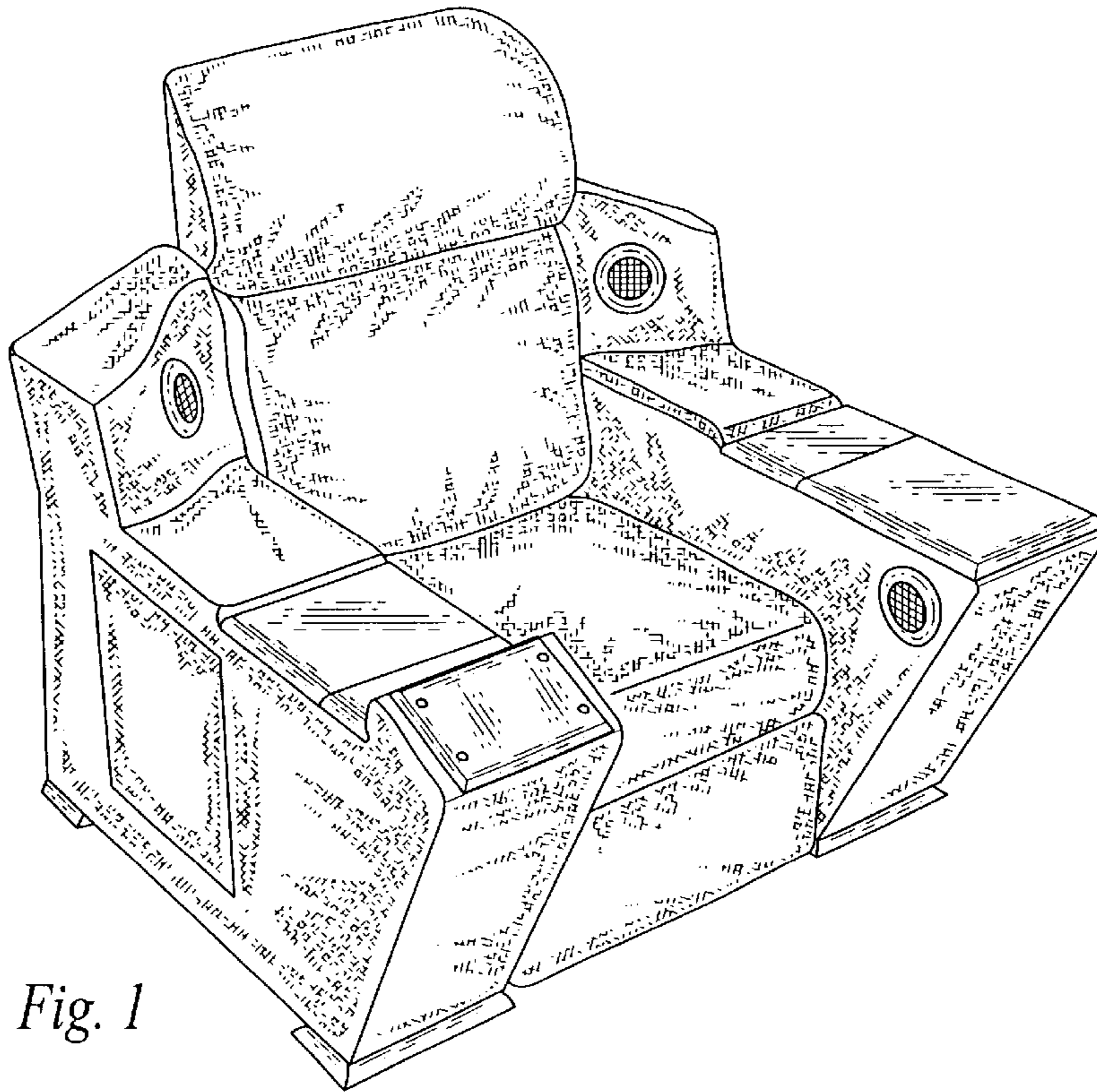


Fig. 1

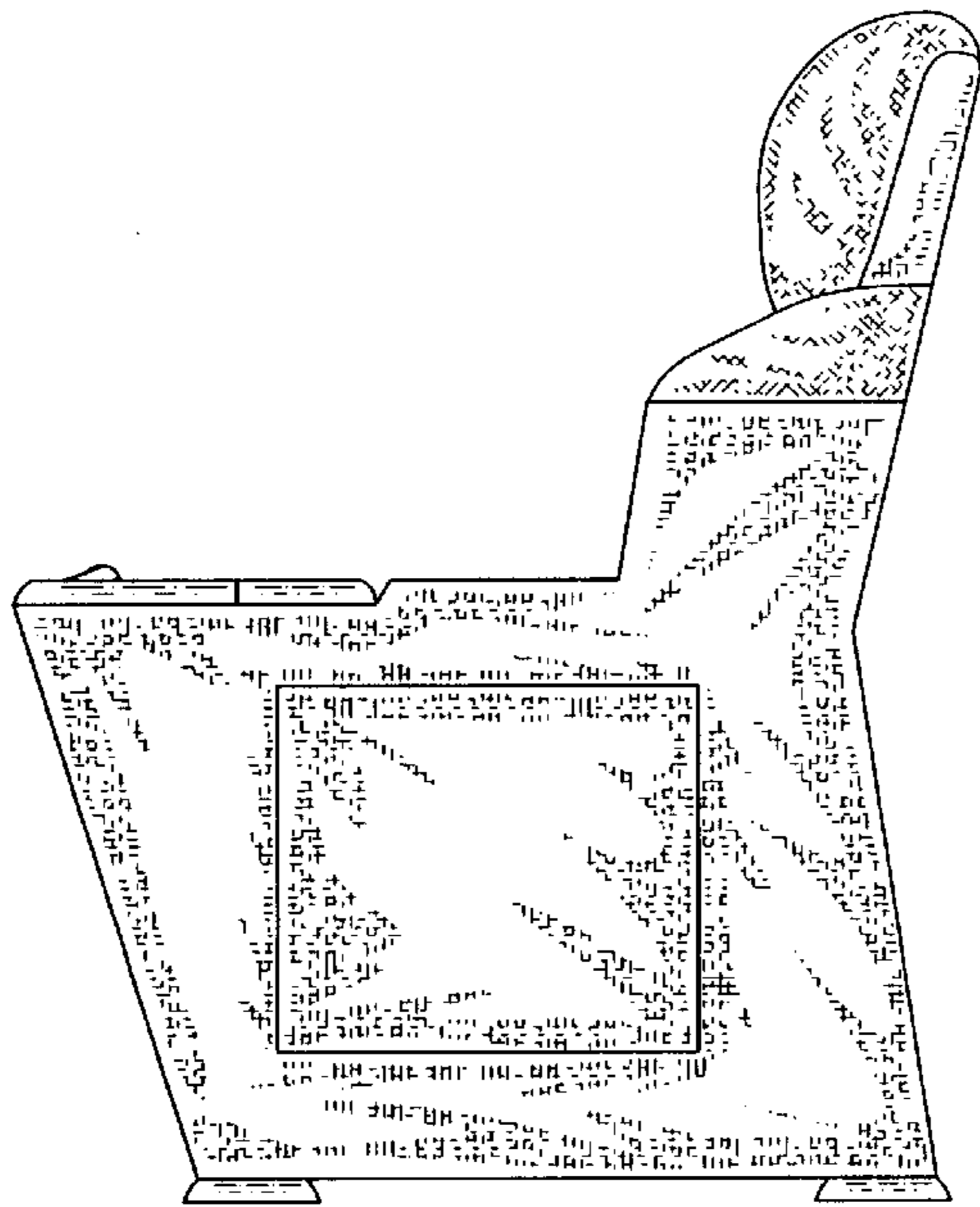


Fig. 2

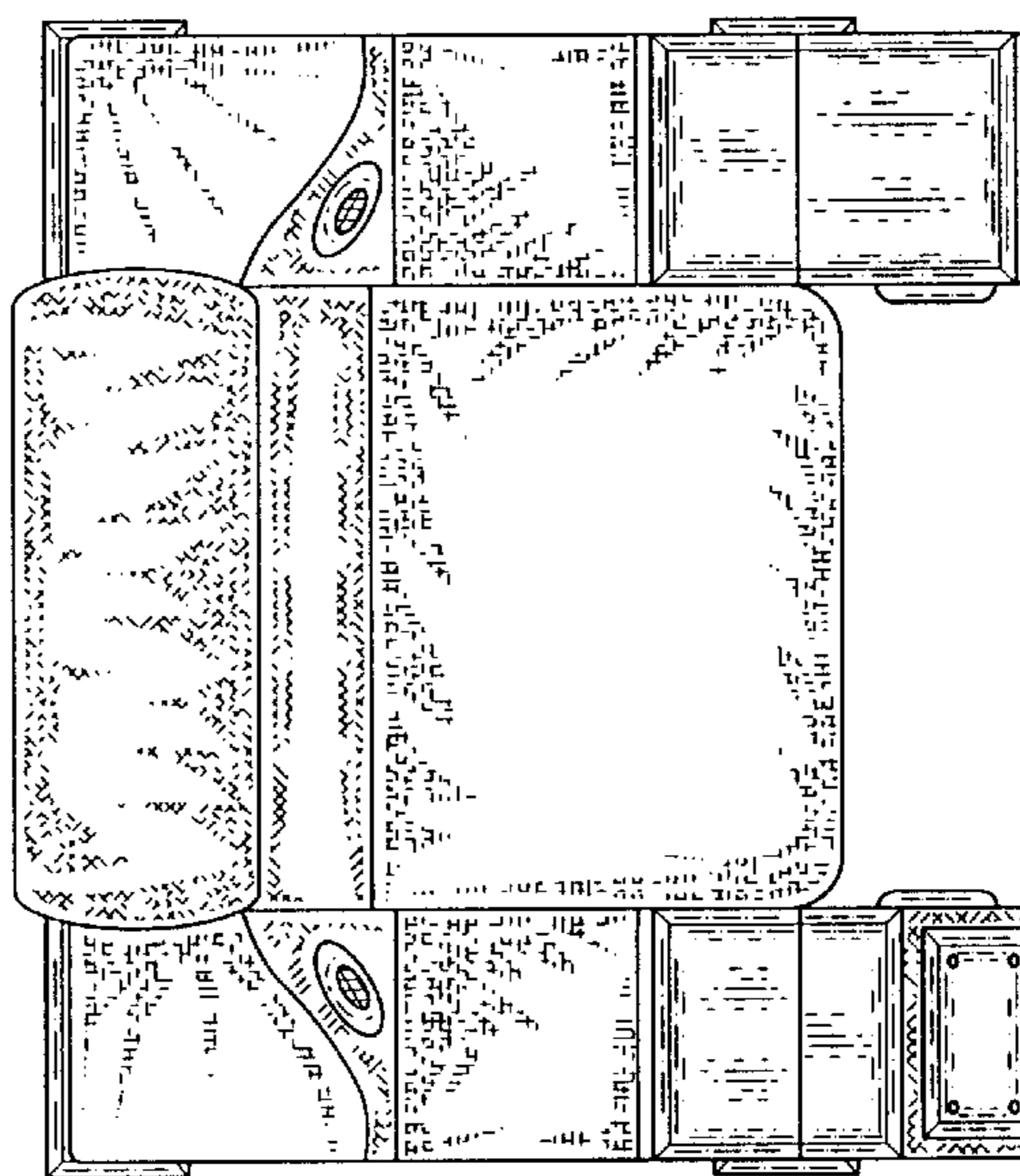


Fig. 3

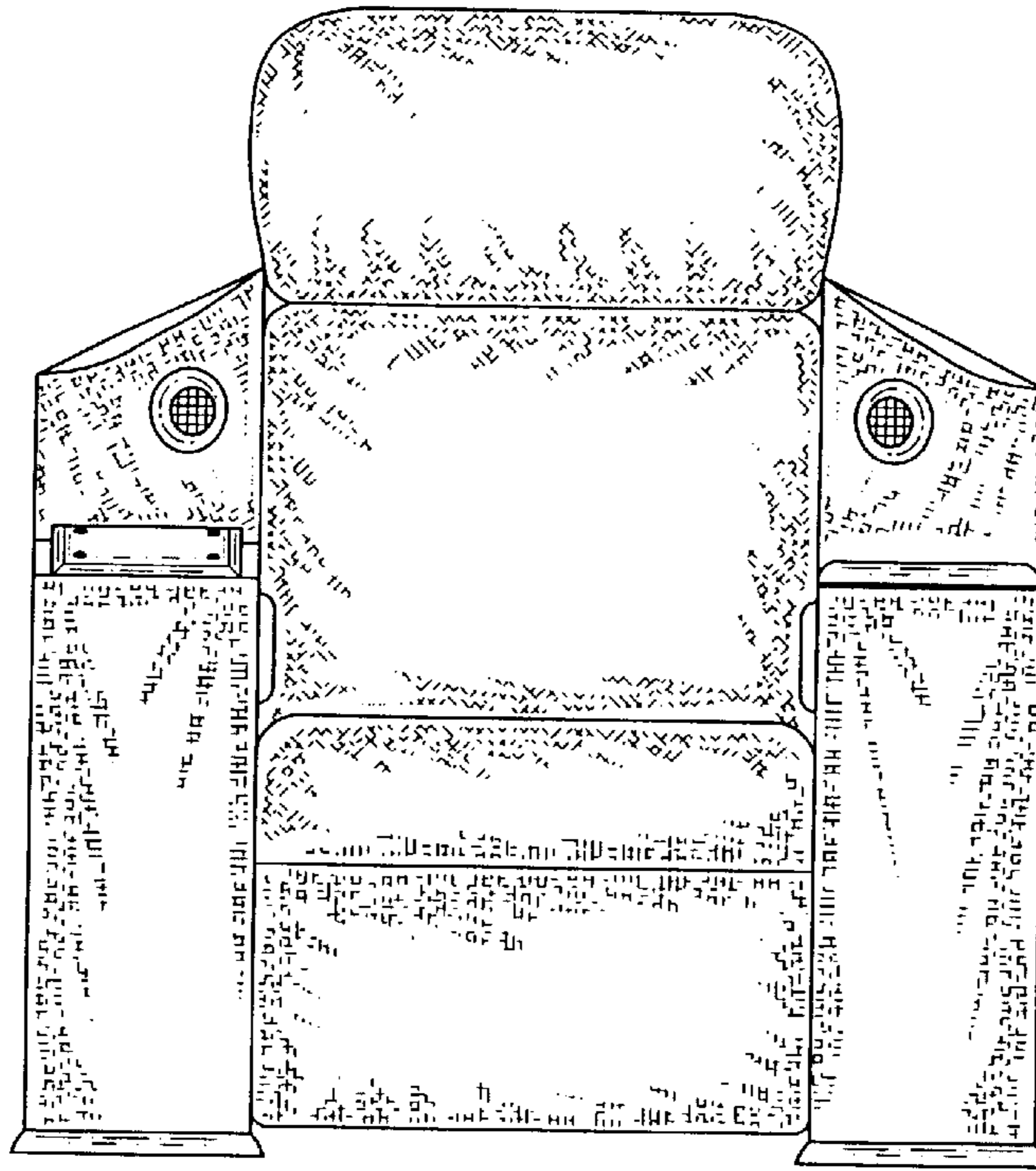


Fig. 4

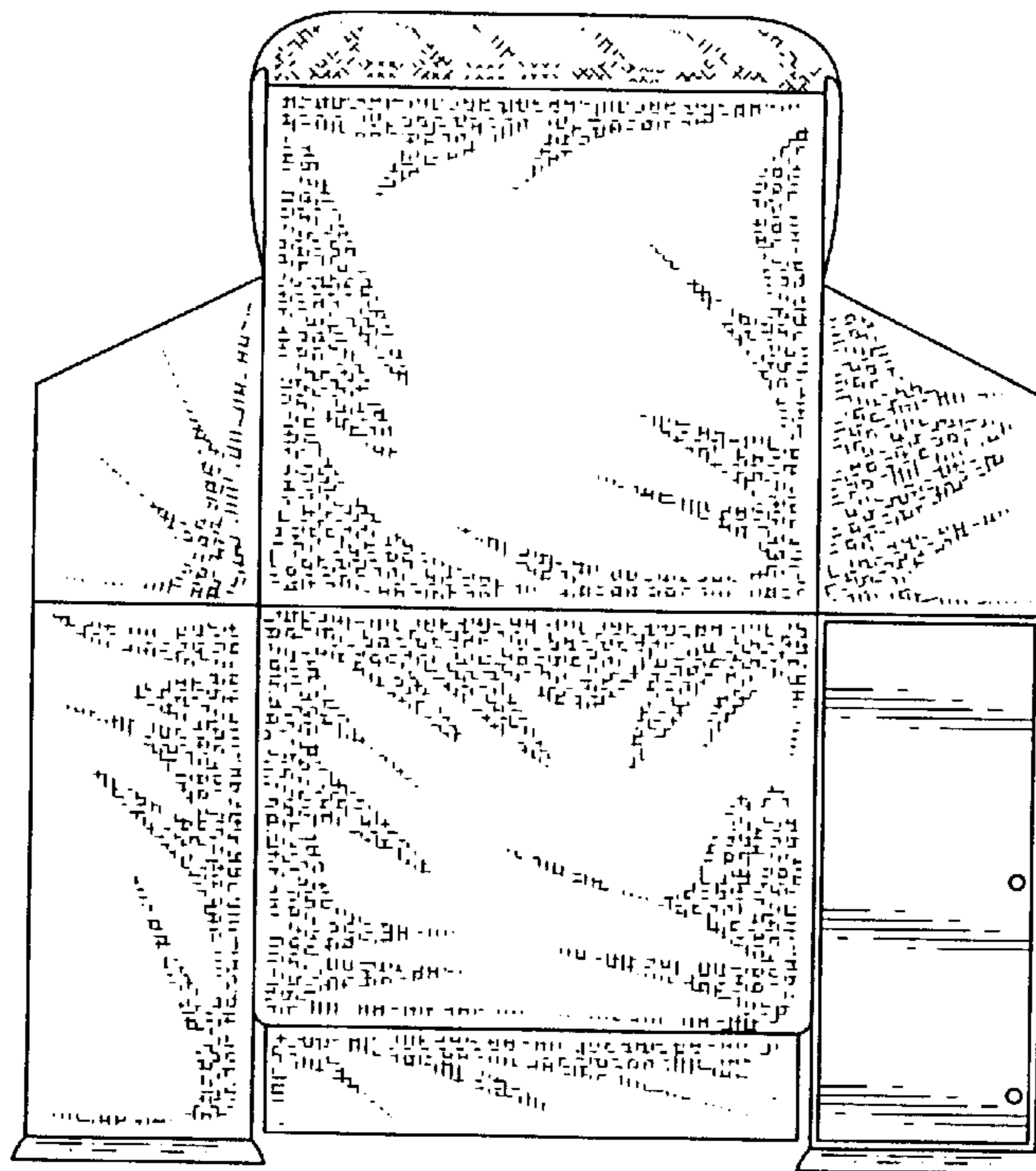


Fig. 5

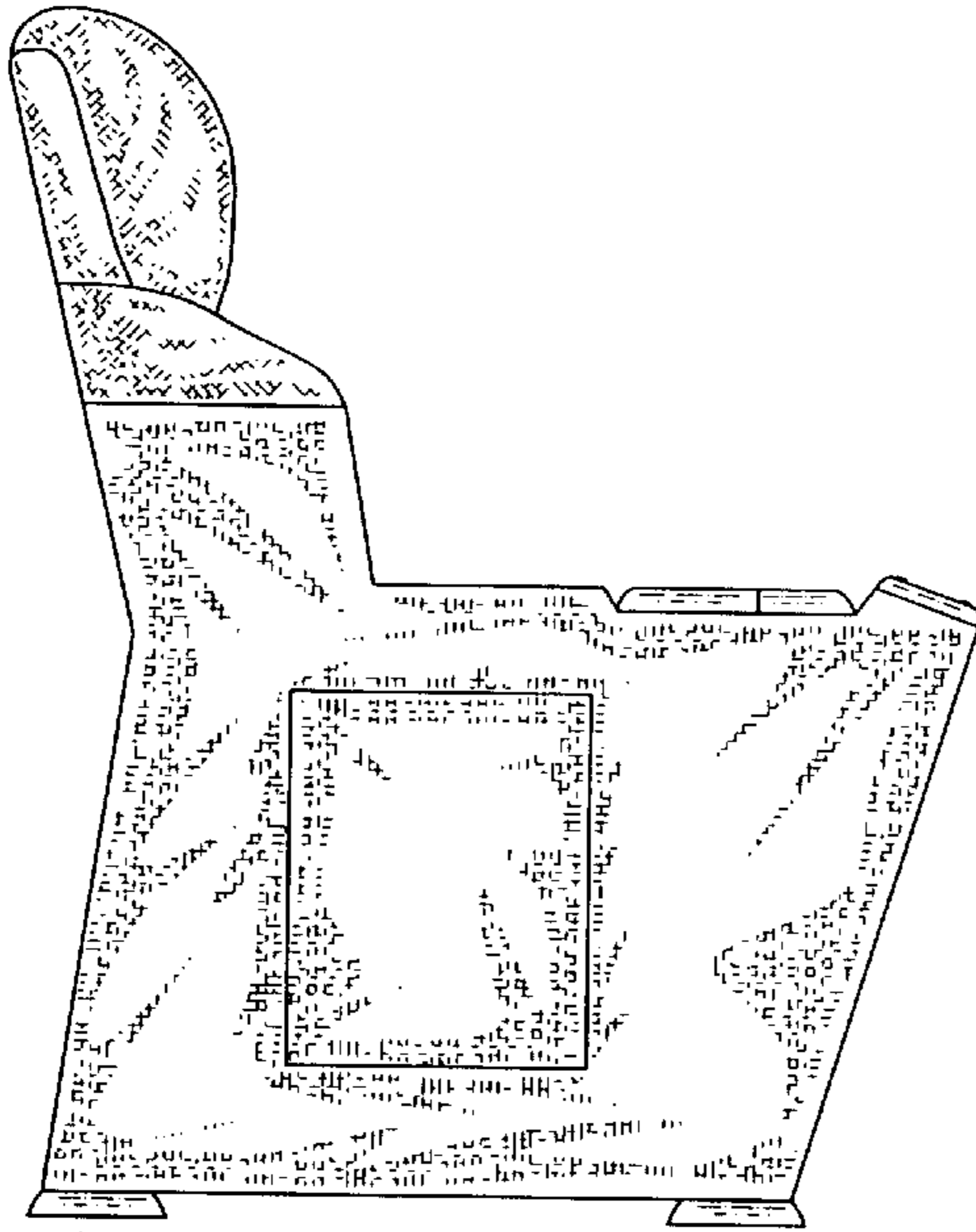


Fig. 6

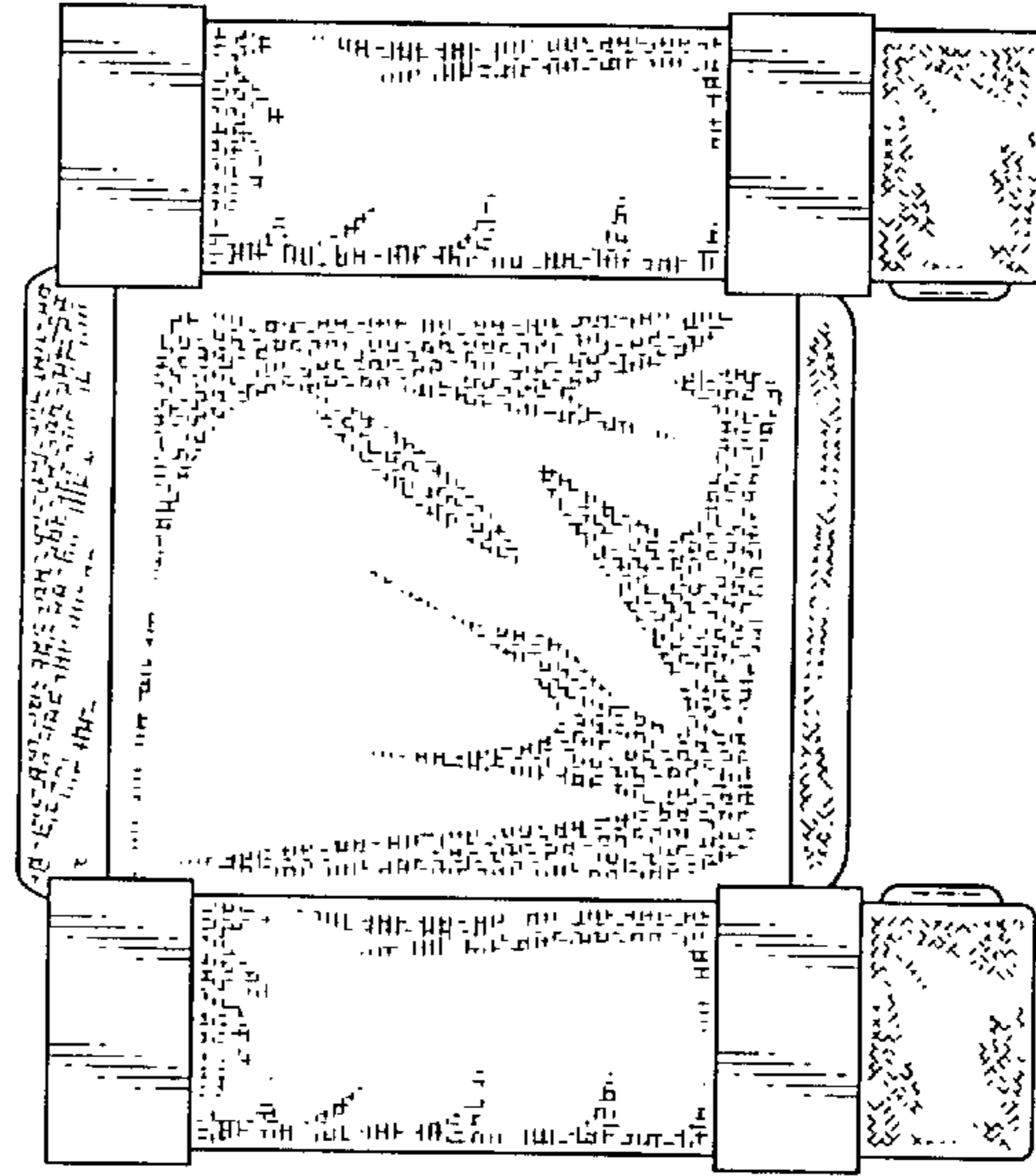


Fig. 7

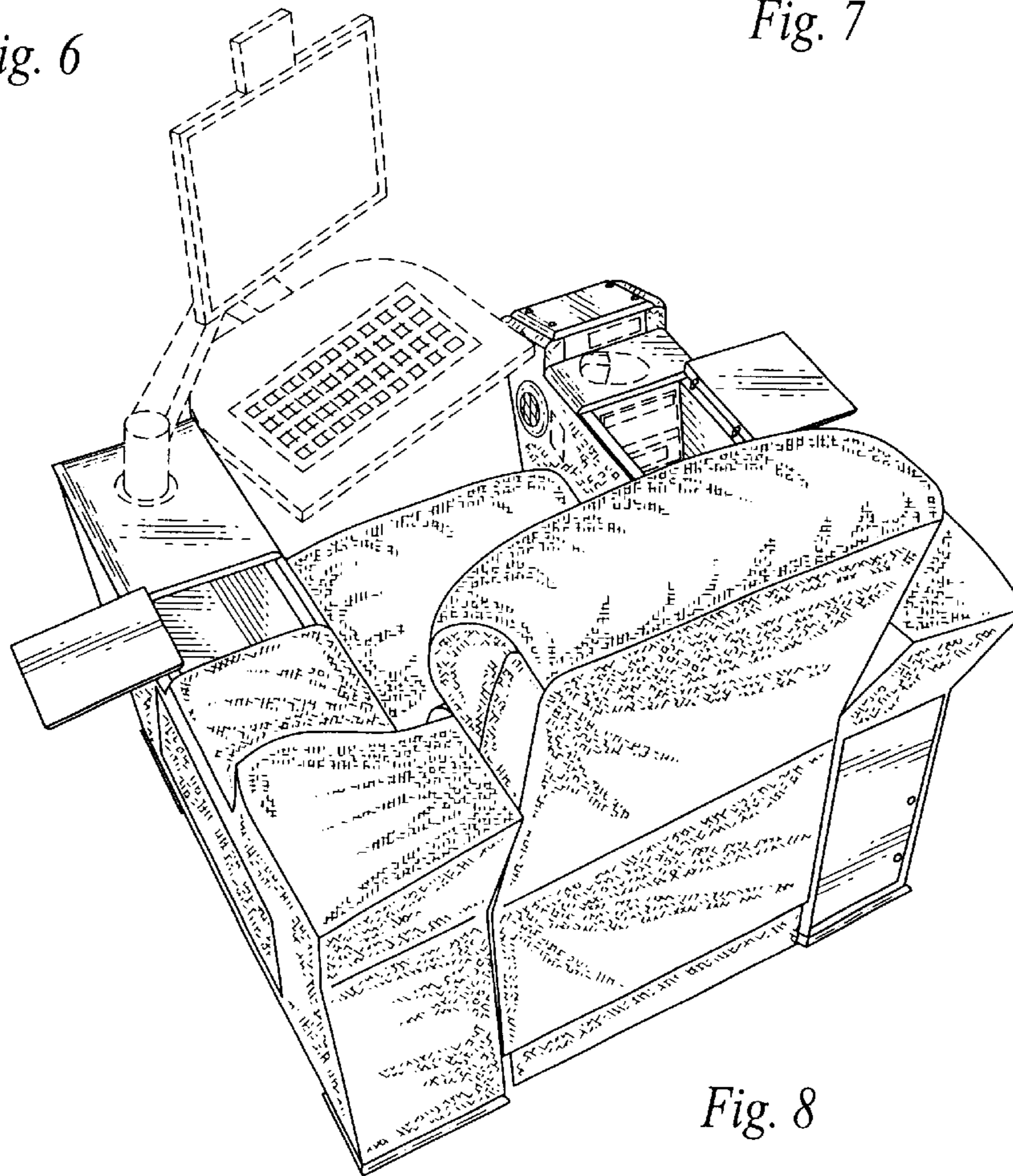


Fig. 8