

US00D535479S

(12) **United States Design Patent**  
**Bourne**

(10) **Patent No.:** **US D535,479 S**

(45) **Date of Patent:** **\*\* Jan. 23, 2007**

(54) **HANDLE OF LUGGAGE**

(75) Inventor: **Christopher Bourne**, West Valley City,  
UT (US)

(73) Assignee: **Zero Manufacturing, Inc.**, North Salt  
Lake, UT (US)

(\*\*) Term: **14 Years**

(21) Appl. No.: **29/178,690**

(22) Filed: **Mar. 28, 2003**

(51) **LOC (8) Cl.** ..... **03-99**

(52) **U.S. Cl.** ..... **D3/318**

(58) **Field of Classification Search** ..... D3/279,  
D3/282, 318, 328, 324, 246, 323, 325, 326;  
D8/302, 306, 316, 317, 319, 320; D34/24,  
D34/26; 190/18 A, 39, 102, 103, 111, 115;  
280/37, 47.26, 655, 655.1; 16/110.1, 113.1,  
16/114.1, 405, 406, 408, 445, 421, 422, 429,  
16/430, 431

See application file for complete search history.

(56) **References Cited**

**U.S. PATENT DOCUMENTS**

1,343,195 A \* 6/1920 Chilton ..... D3/323

D212,182 S \* 9/1968 D'Elia ..... D8/306  
D214,030 S \* 5/1969 Clayton ..... D8/316  
D340,399 S \* 10/1993 Paglia ..... D8/317  
D389,722 S \* 1/1998 Blom ..... D8/319  
D487,632 S \* 3/2004 Galliano ..... D3/246

\* cited by examiner

*Primary Examiner*—Louis S. Zarfes

*Assistant Examiner*—Kathleen Sims

(74) *Attorney, Agent, or Firm*—Brian L. Johnson; Davis  
Wright Tremaine LLP

(57) **CLAIM**

I claim the ornamental design for a handle of luggage, as  
shown and described.

**DESCRIPTION**

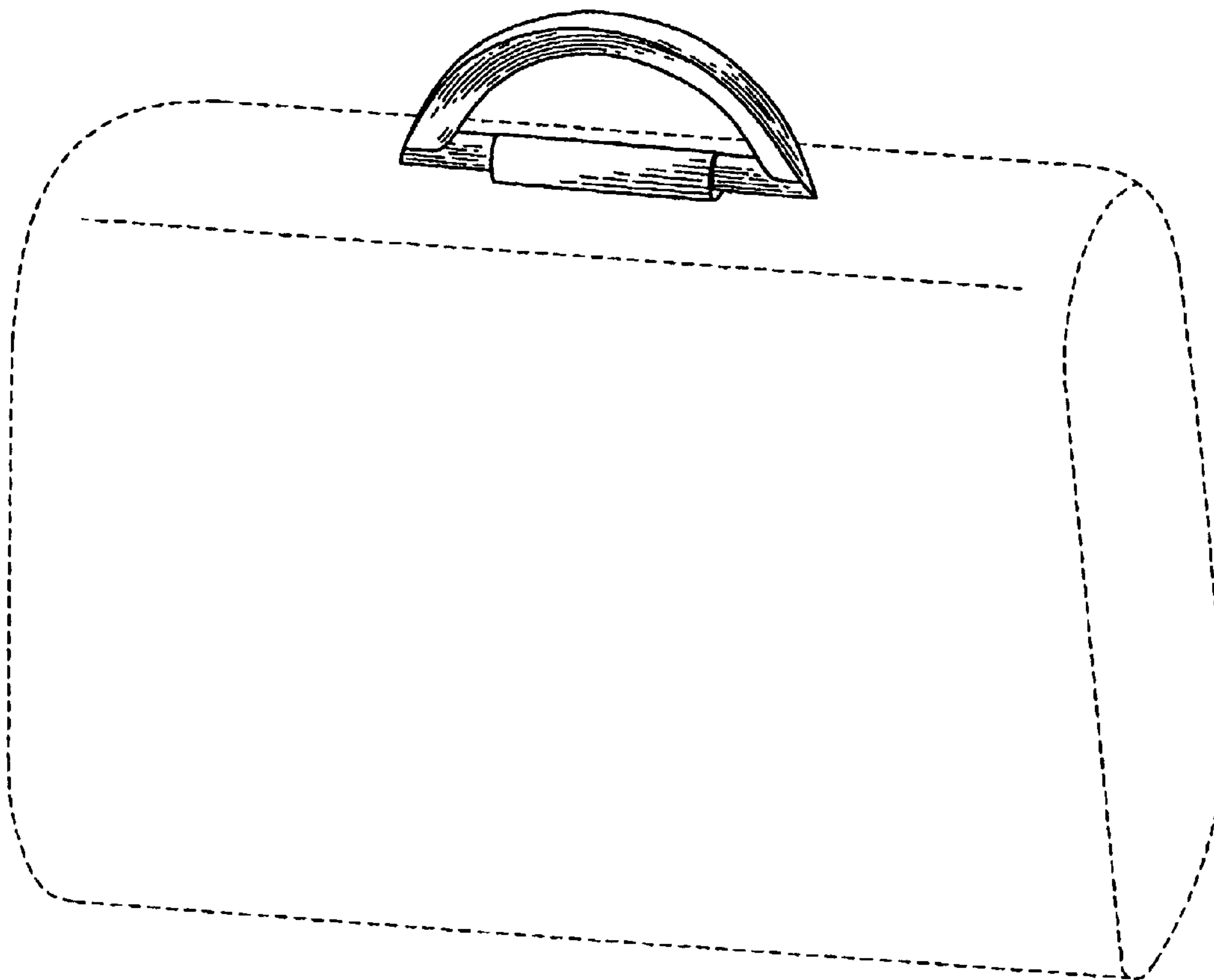
FIG. 1 is an isometric view of a handle of luggage showing  
my new design.

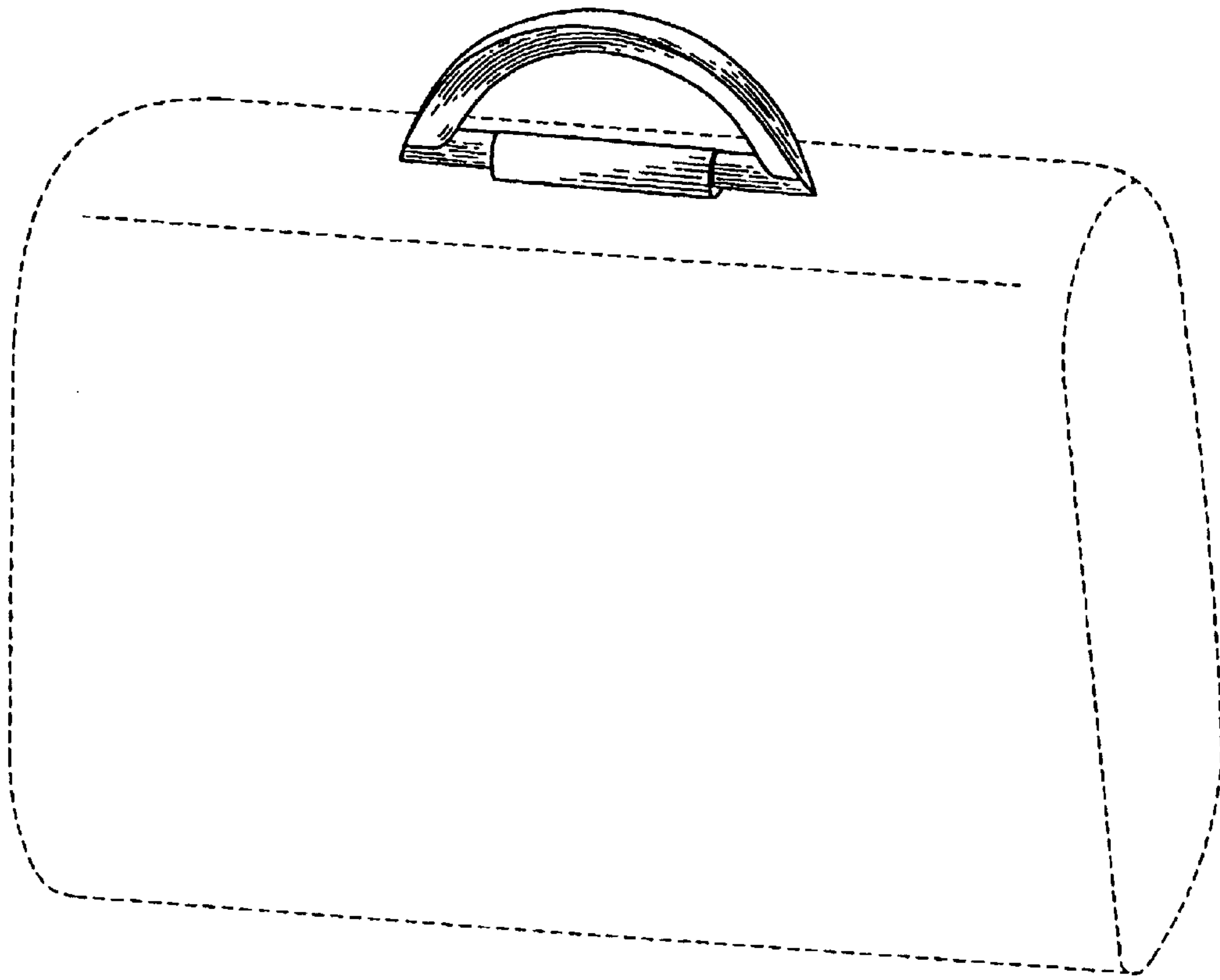
FIG. 2 is a left side elevational view thereof, the right side  
elevational view being a mirror image thereto; and,

FIG. 3 is a top plan view thereof.

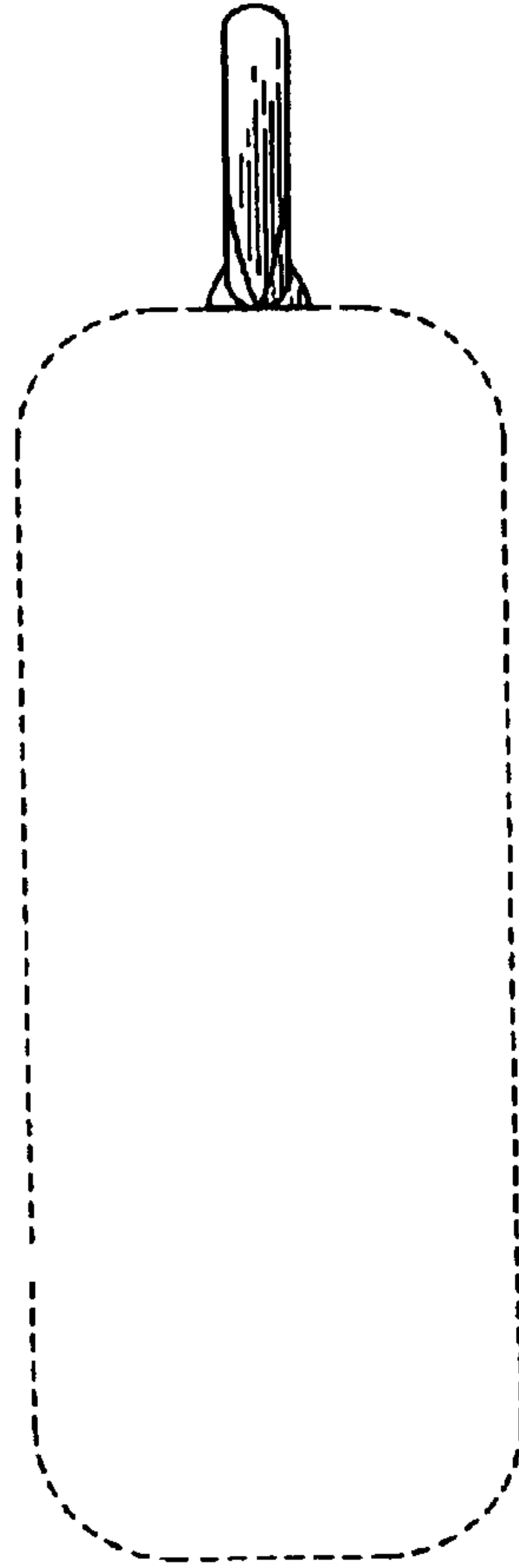
The broken lines are for illustrative purposes only and form  
no part of the claimed design.

**1 Claim, 2 Drawing Sheets**

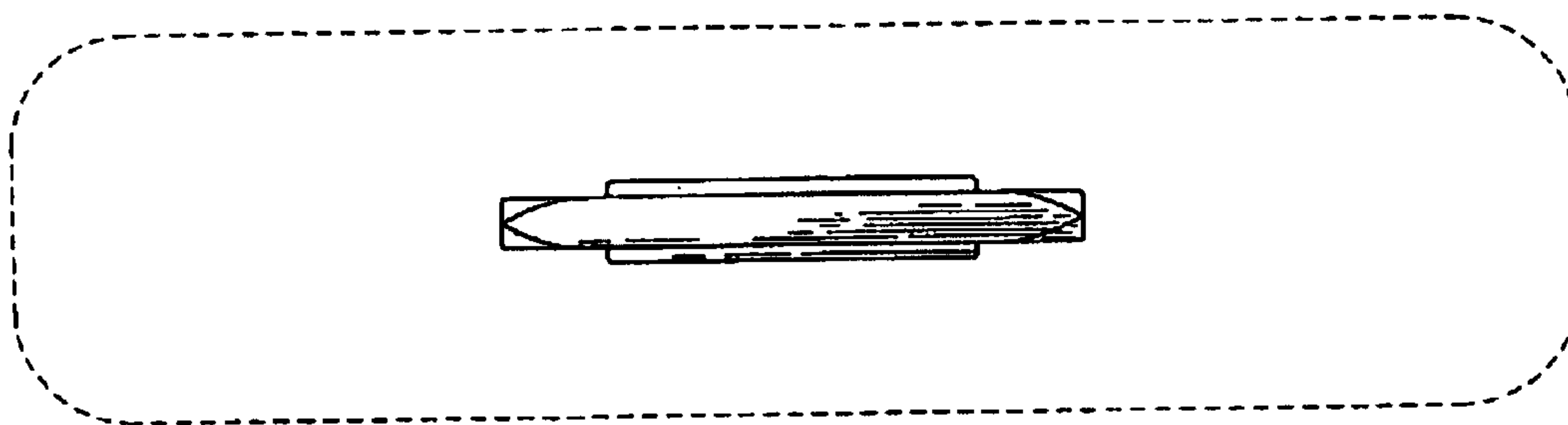




*Fig. 1*



*Fig. 2*



*Fig. 3*