



US00D535478S

(12) **United States Design Patent**
Uffner et al.

(10) **Patent No.:** **US D535,478 S**
(45) **Date of Patent:** **** Jan. 23, 2007**

- (54) **CUBE BIN WITH SPHERICAL ROLLERS**
- (75) Inventors: **Michael G. Uffner**, Naperville, IL (US); **Robert Kopp**, Wheaton, IL (US)
- (73) Assignee: **Suncast Corporation**, Batavia, IL (US)
- (**) Term: **14 Years**
- (21) Appl. No.: **29/229,176**
- (22) Filed: **May 3, 2005**

D465,921 S * 11/2002 Northrop et al. D3/273
 D480,872 S * 10/2003 Welsh et al. D3/302
 D511,624 S * 11/2005 Rosine et al. D3/273

* cited by examiner

Primary Examiner—Philip S. Hyder
 (74) *Attorney, Agent, or Firm*—McHale & Slavin

(57) **CLAIM**

The ornamental design for a cube bin with spherical rollers, as shown and described.

Related U.S. Application Data

- (63) Continuation of application No. 11/076,675, filed on Mar. 9, 2005.
- (51) **LOC (8) Cl.** **03-01**
- (52) **U.S. Cl.** **D3/302; D3/273**
- (58) **Field of Classification Search** D3/272, D3/273, 276, 302; D9/424, 423; 206/508, 206/513, 515; 220/508, 608, 609
See application file for complete search history.

DESCRIPTION

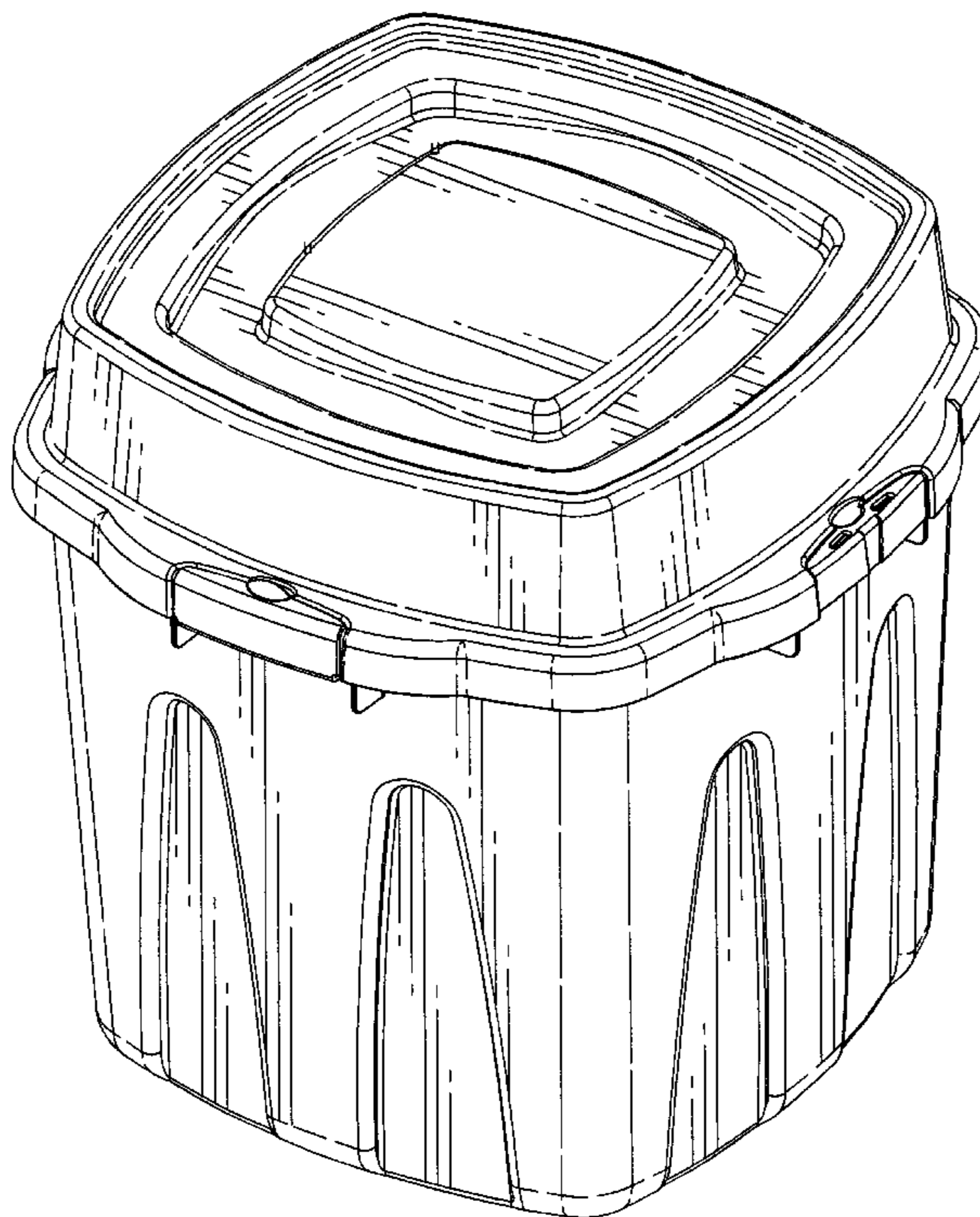
FIG. 1 is a top perspective view of the instant invention; FIG. 2 is a bottom perspective view of the instant invention; FIG. 3 is a side view of the instant invention the remaining three sides being identical thereto; FIG. 4 is a top view of the lid portion of the instant invention; FIG. 5 is a bottom view of the container portion of the instant invention; FIG. 6 is an exploded view of the instant invention; FIG. 7 is a top perspective view of the cube bin with spherical rollers, shown with a plurality of nested cube bins, and with the lid in an inverted position; and, FIG. 8 is a top perspective view of the cube bin with spherical rollers, shown stacked on top of a second cube bin. The broken line showings of the bins in FIGS. 7 and 8 are for illustrative purposes only and form no part of the claimed design.

(56) **References Cited**

U.S. PATENT DOCUMENTS

- 3,419,184 A * 12/1968 Asenbauer 206/508
- D330,329 S * 10/1992 Brightbill D3/302
- D334,499 S * 4/1993 Meisner et al. D6/515
- D381,512 S * 7/1997 Green D3/294
- D394,550 S * 5/1998 Tanji D3/273
- D408,631 S * 4/1999 Dickinson et al. D3/302
- 6,308,858 B1 * 10/2001 Koefeldt 220/608

1 Claim, 8 Drawing Sheets



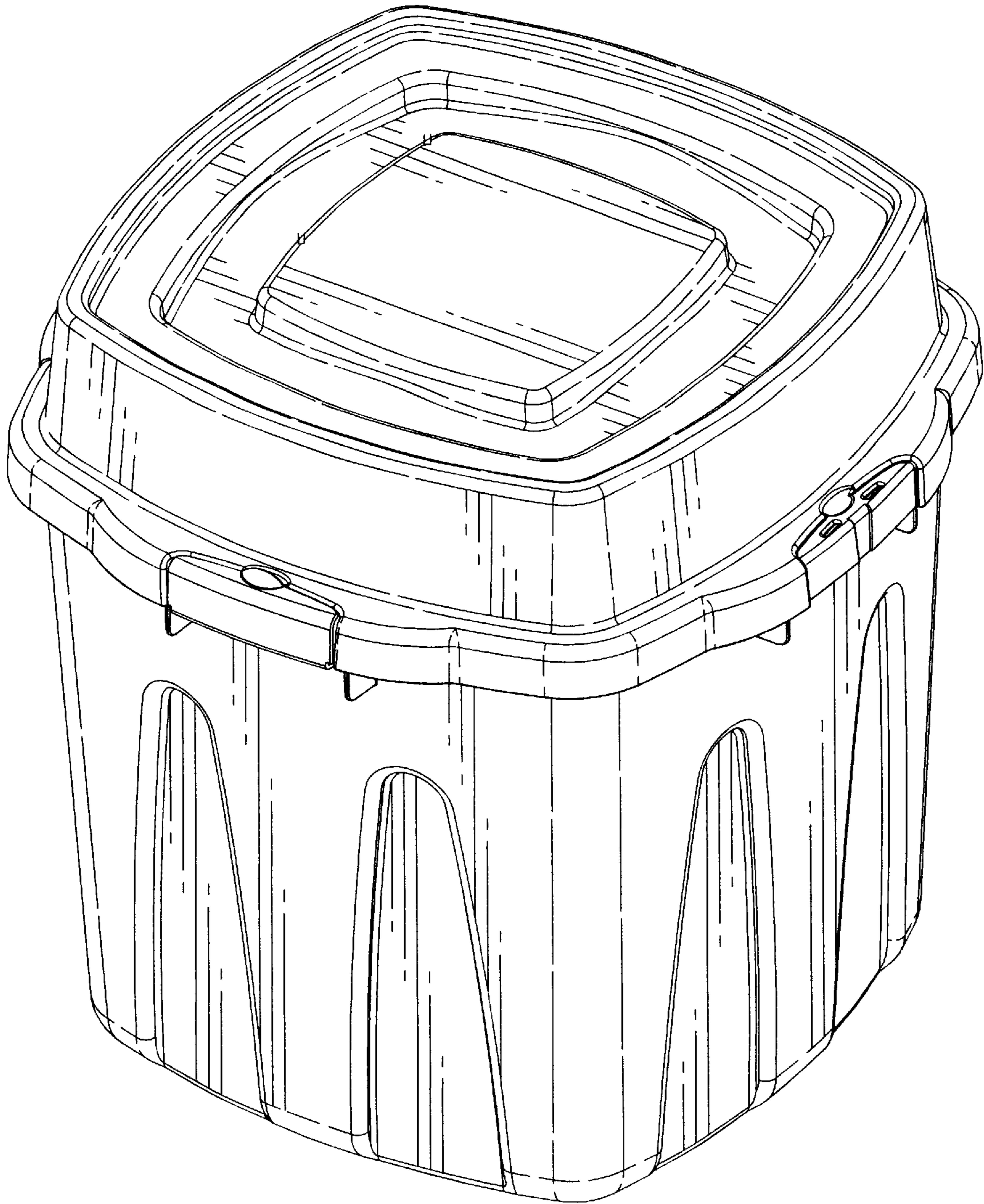


FIGURE 1

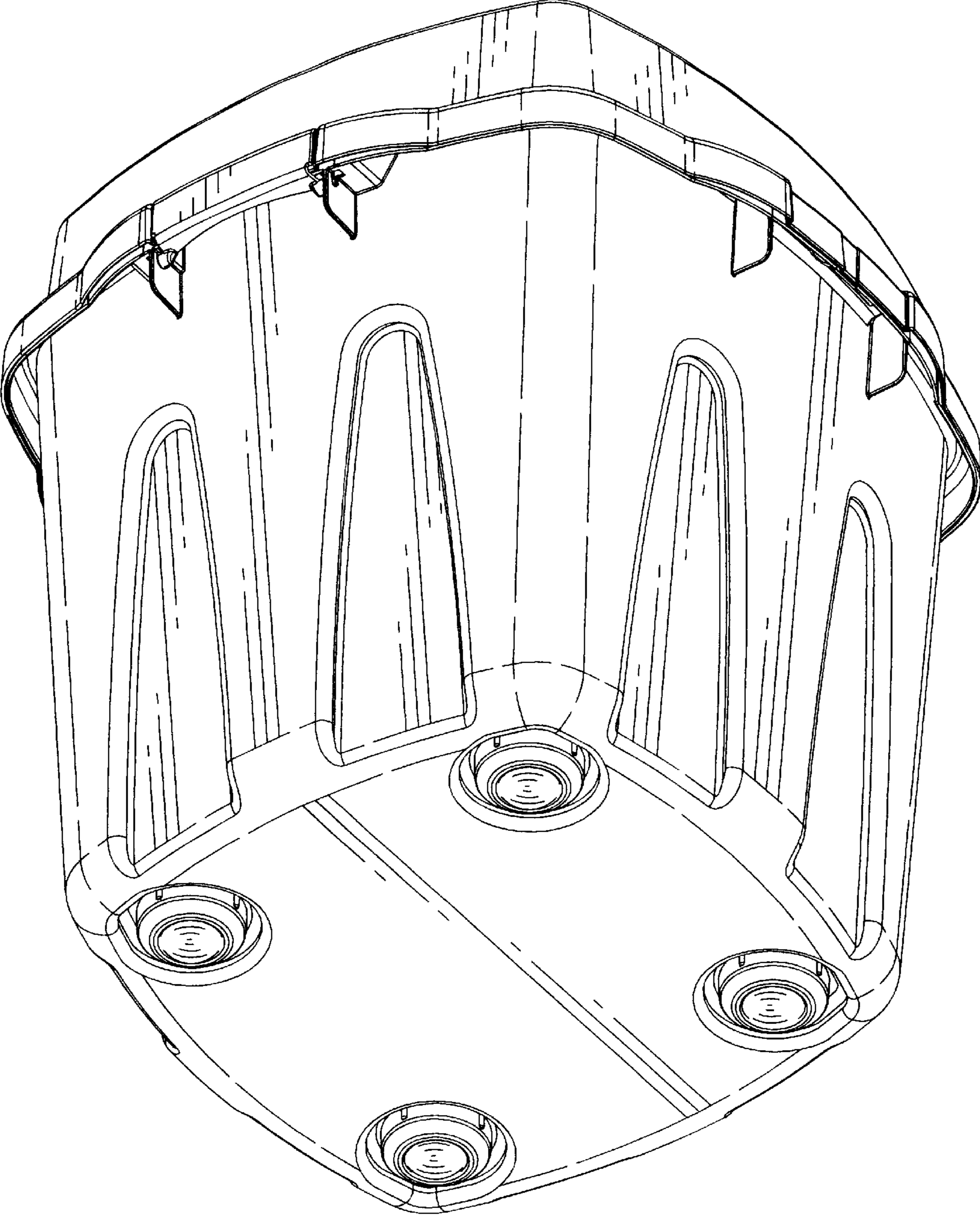


FIGURE 2

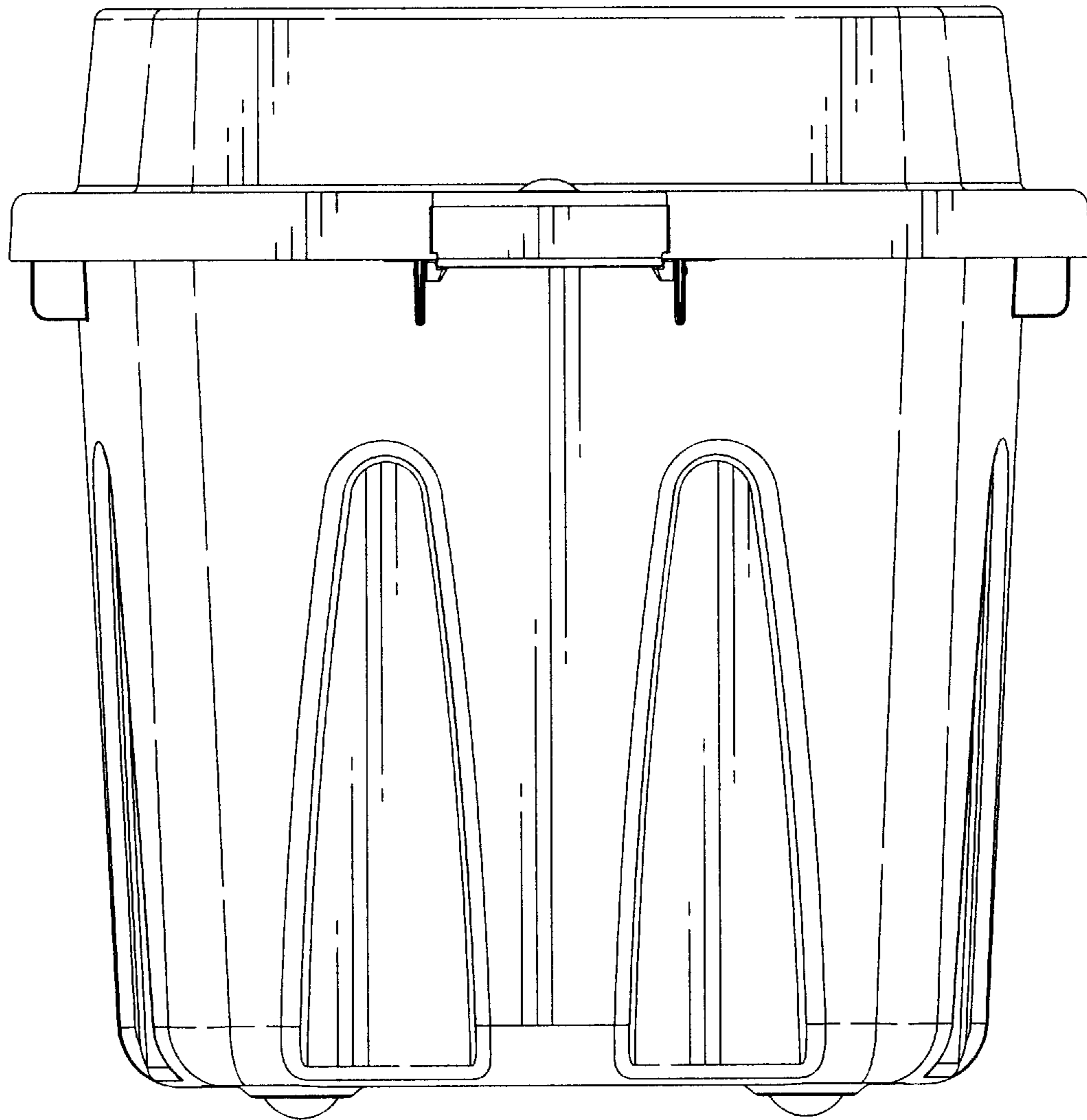


FIGURE 3

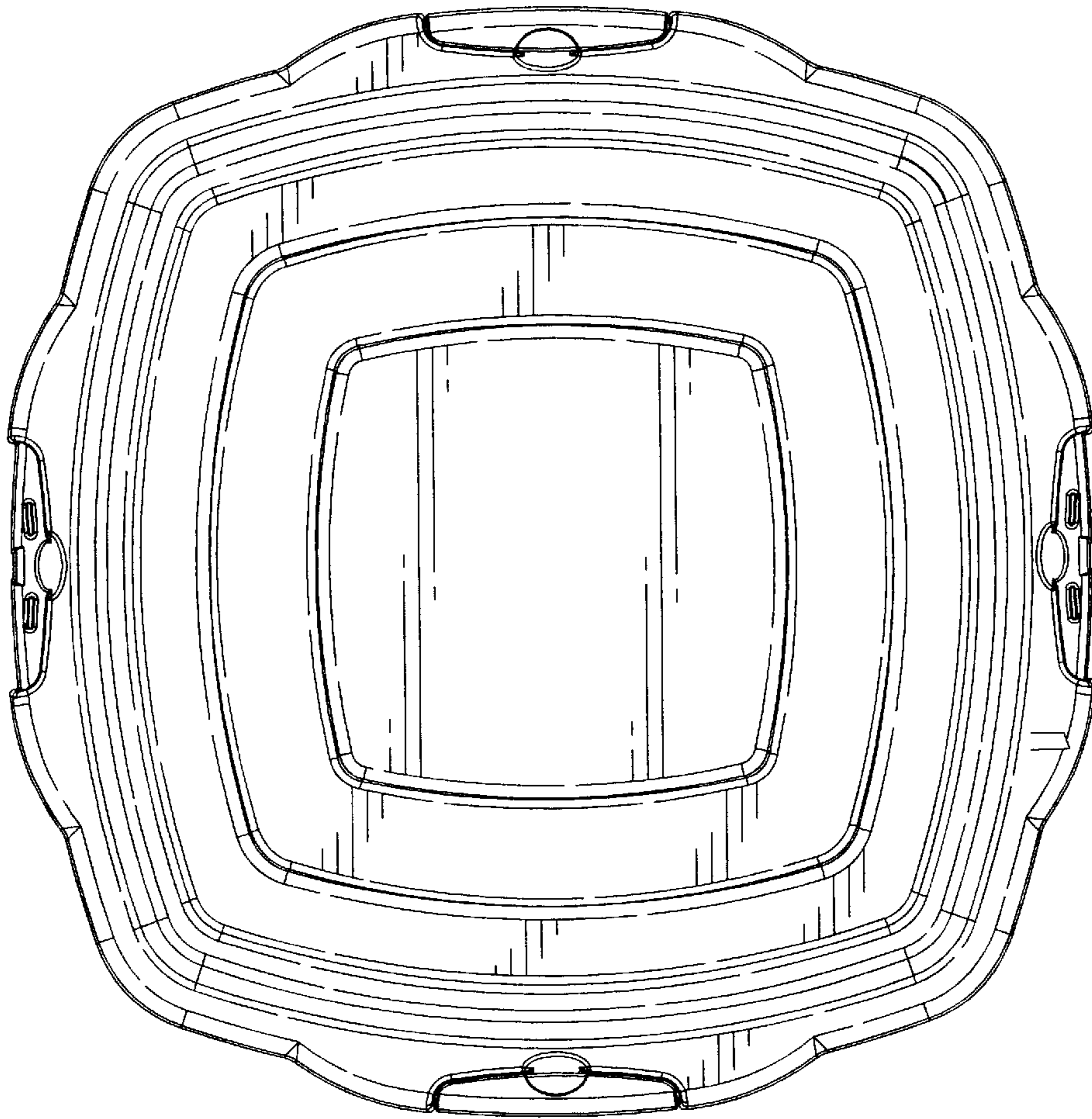


FIGURE 4

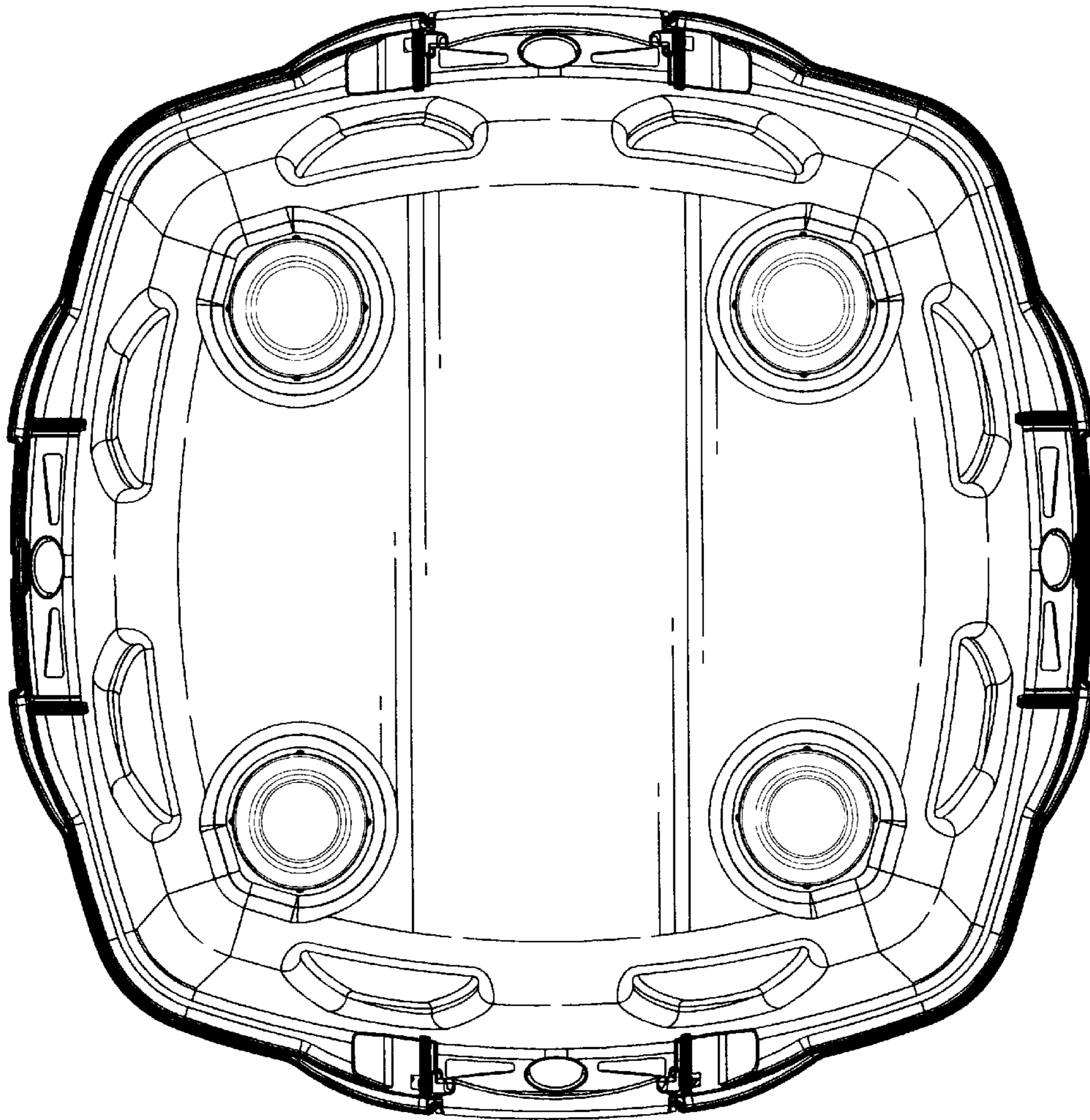


FIGURE 5

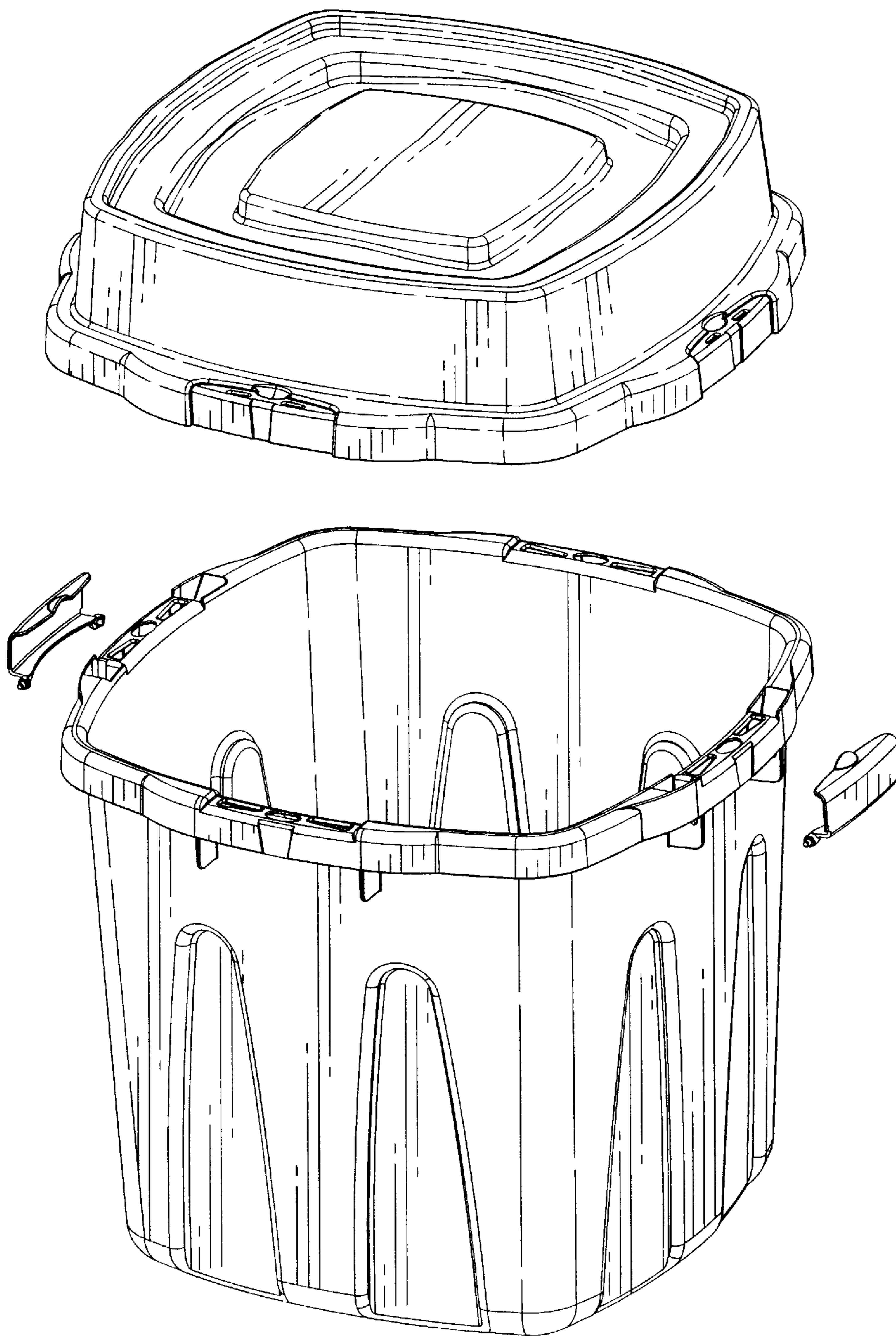


FIGURE 6

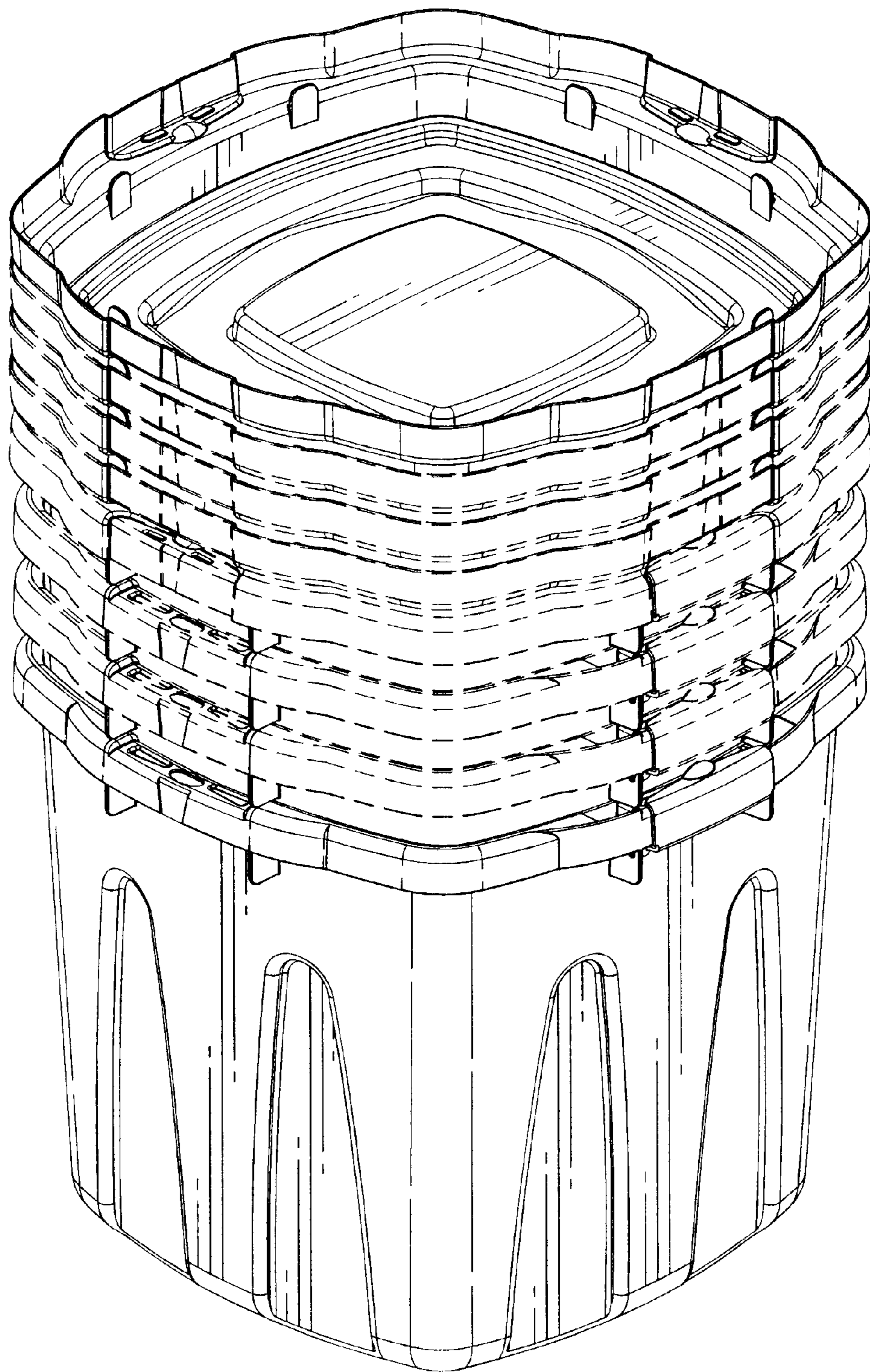


FIGURE 7

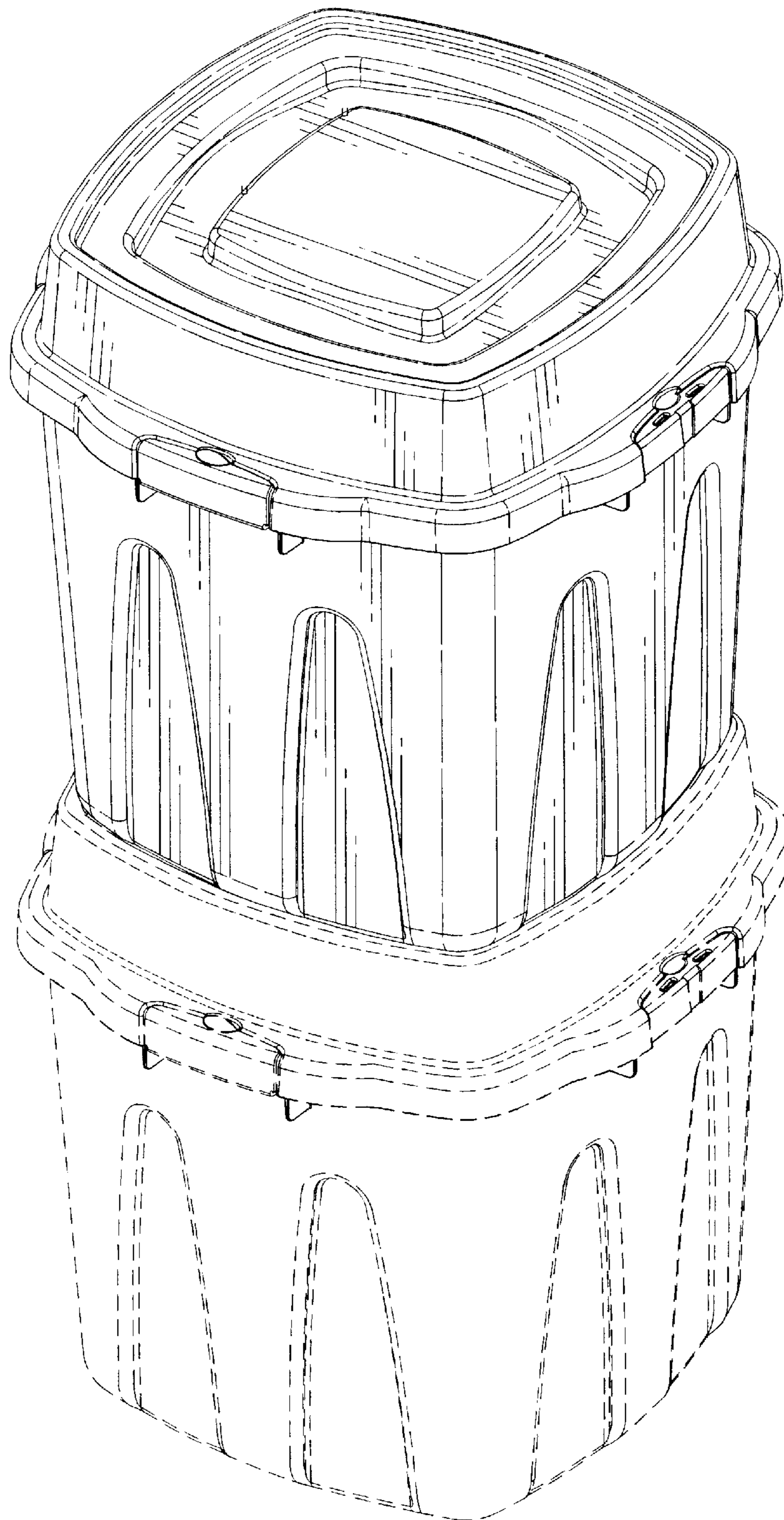


FIGURE 8