



US00D535469S

(12) **United States Design Patent**
Nassos et al.

(10) **Patent No.:** **US D535,469 S**
(45) **Date of Patent:** **** Jan. 23, 2007**

(54) **FIRST AID CASE**

(76) Inventors: **Richelle Nassos**, P.O. Box 73200,
Phoenix, AZ (US) 85050; **Peter Nassos**,
P.O. Box 73200, Phoenix, AZ (US)
85050

(**) Term: **14 Years**

(21) Appl. No.: **29/240,736**

(22) Filed: **Oct. 17, 2005**

(51) **LOC (8) Cl.** **03-01**

(52) **U.S. Cl.** **D3/203.6**

(58) **Field of Classification Search** D3/203.6,
D3/203.5, 203.7, 203.8, 272-273, 288, 276,
D3/902, 201, 205, 301; 206/570, 457, 803
See application file for complete search history.

(56) **References Cited**

U.S. PATENT DOCUMENTS

D282,762 S	*	2/1986	Catelli	D21/529
D289,461 S	*	4/1987	Humphries	D3/203.7
6,286,682 B1		9/2001	d'Arbelles	206/570
6,802,174 B1		10/2004	Krausz	53/474
D505,543 S	*	5/2005	Miller	D3/203.6
D512,216 S	*	12/2005	Joyce	D3/203.6
2004/0134818 A1		7/2004	Cunningham et al.	206/373
2004/0222123 A1		11/2004	Niemann	206/570
2005/0015115 A1		1/2005	Sullivan et al.	607/5

* cited by examiner

Primary Examiner—Catherine R. Oliver

(57) **CLAIM**

The ornamental design for a first aid case, as shown and described.

DESCRIPTION

FIG. 1 is a perspective view of the first aid case, according to the present invention;

FIG. 2 is a top view of the first aid case, according to the present invention;

FIG. 3 is a bottom view of the first aid case, according to the present invention;

FIG. 4 is a side view of the first aid case, according to the present invention;

FIG. 5 is an end view of the first aid case, according to the present invention;

FIG. 6 is a perspective view of the first aid case, according to the present invention, with the lid halves open;

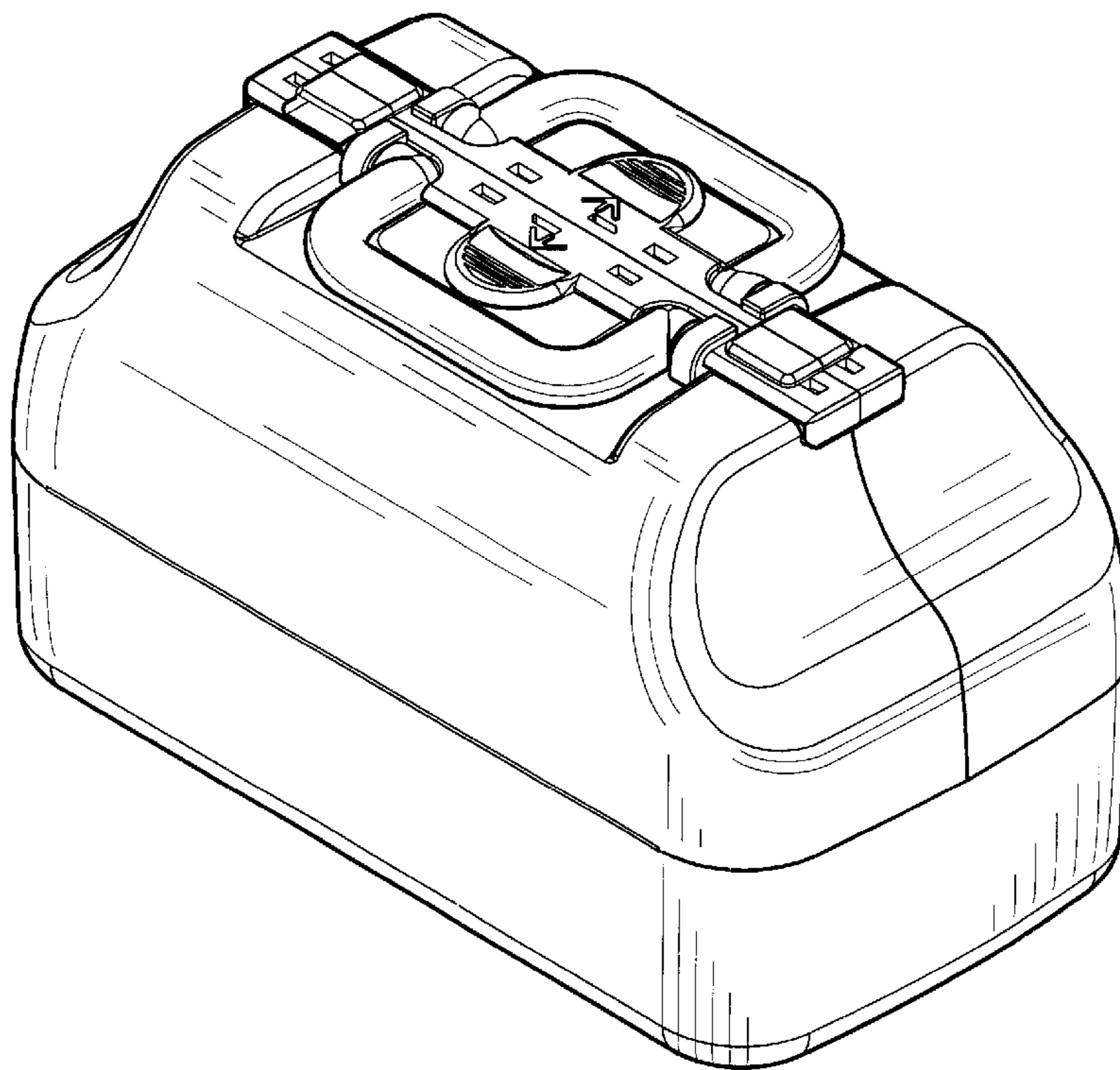
FIG. 7 is a cross-sectional view of the first aid case according to the present invention, shown along line 7—7 of FIG. 4;

FIG. 8 is a cross-sectional view of the first aid case according to the present invention, shown along line 8—8 of FIG. 4;

FIG. 9 is a cross-sectional view of the first aid case according to the present invention, shown along line 9—9 of FIG. 9; and,

FIG. 10 is a cross-sectional view of the first aid case according to the present invention, shown along line 10—10 of FIG. 4.

1 Claim, 6 Drawing Sheets



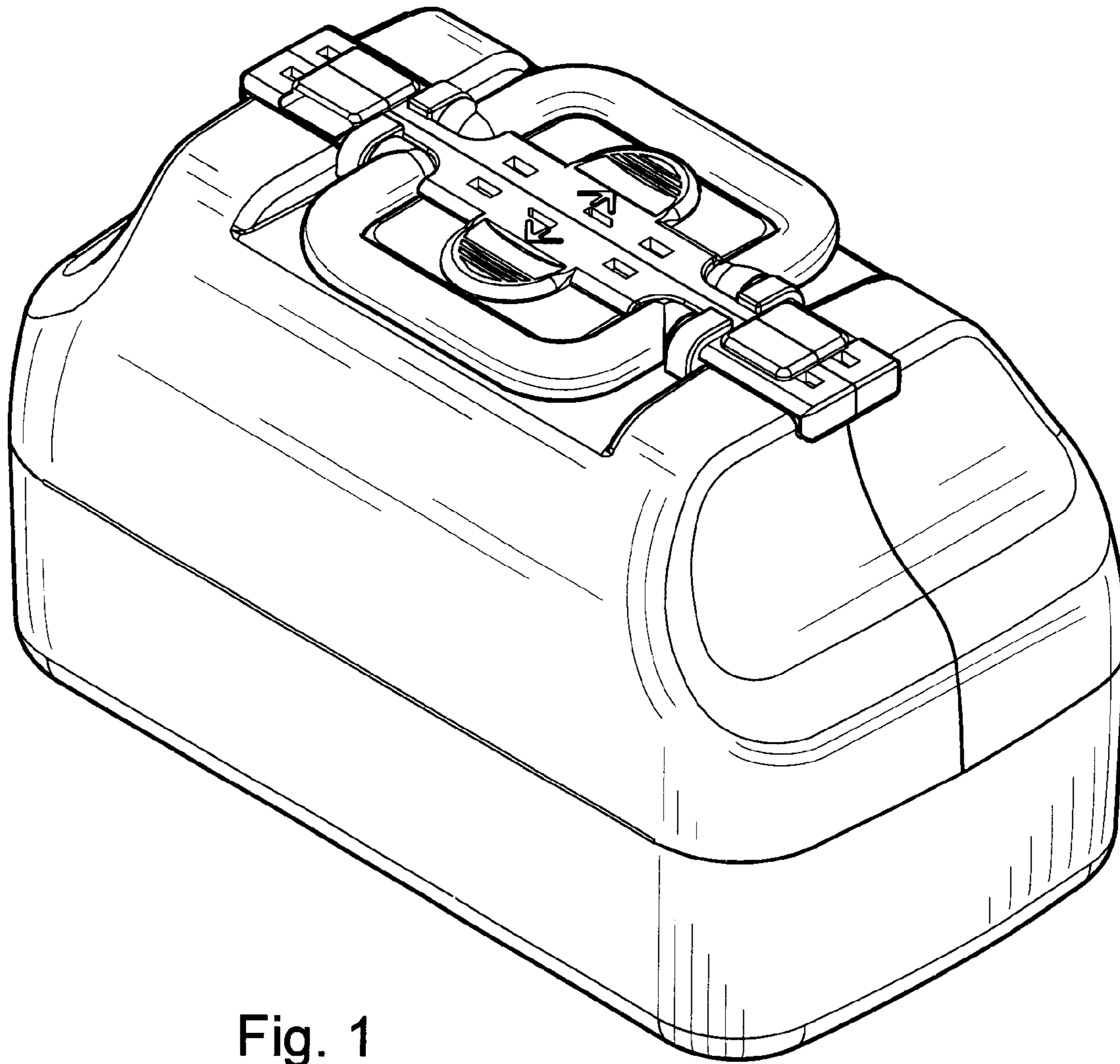


Fig. 1

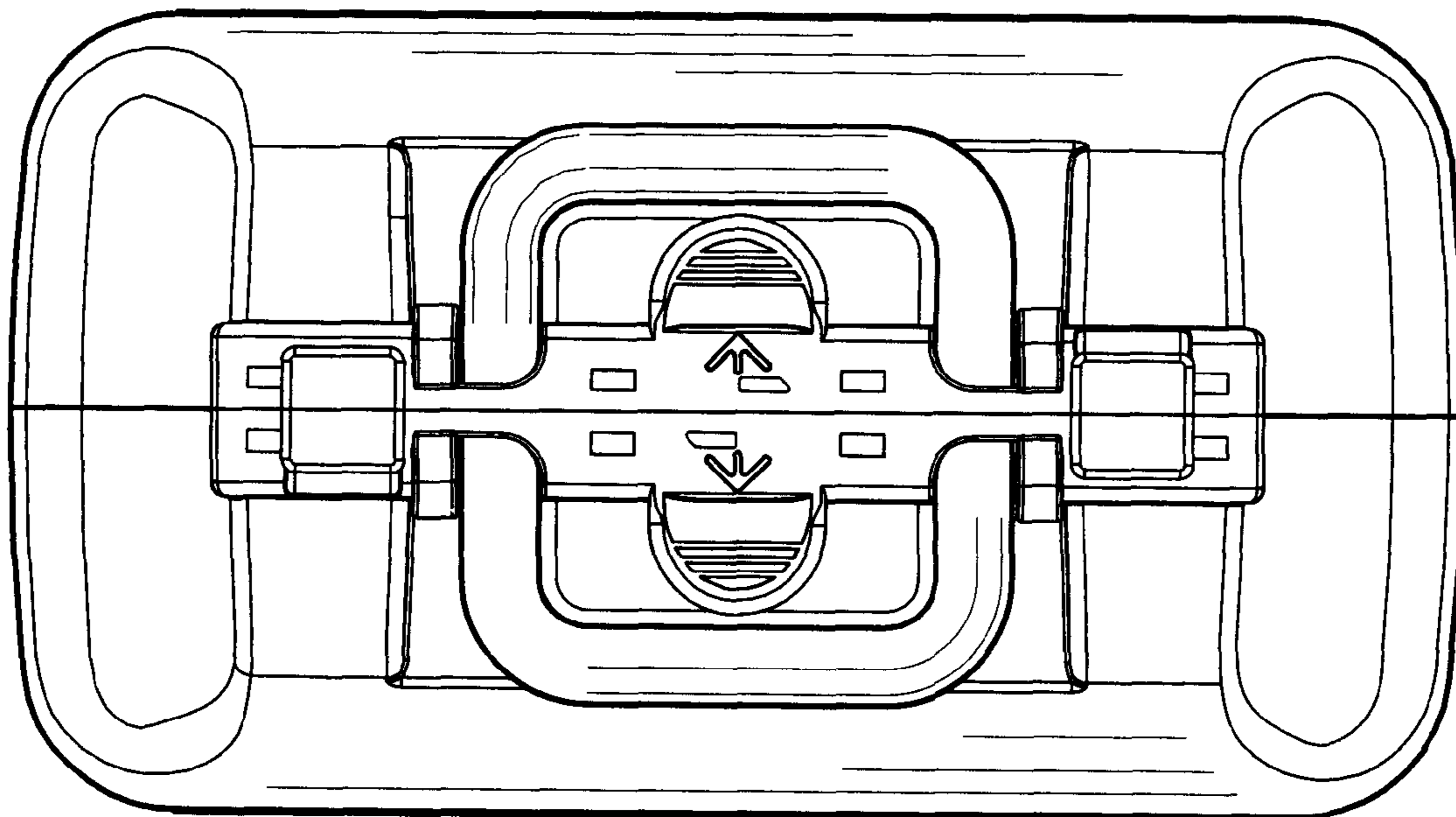


Fig. 2

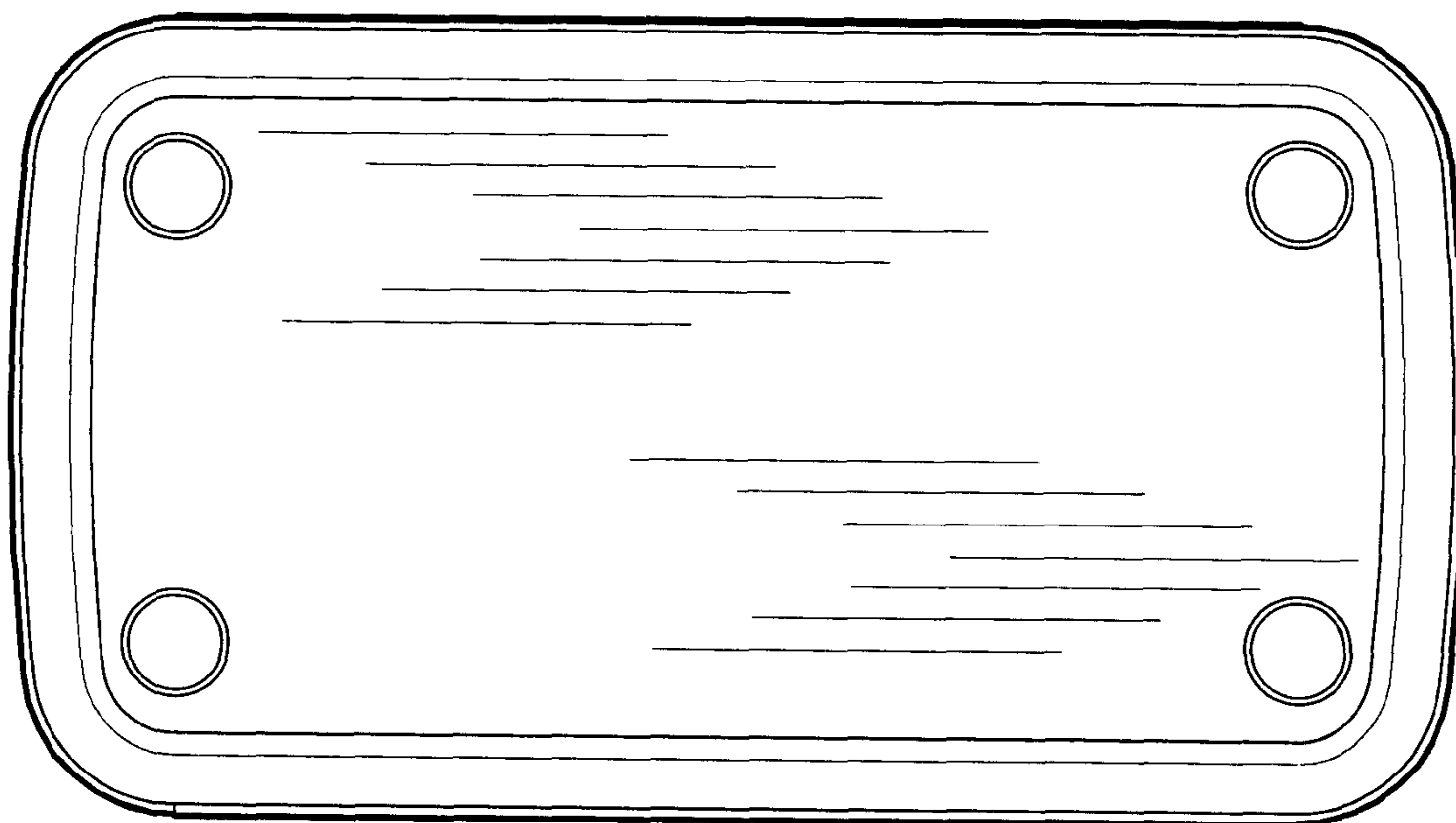


Fig. 3

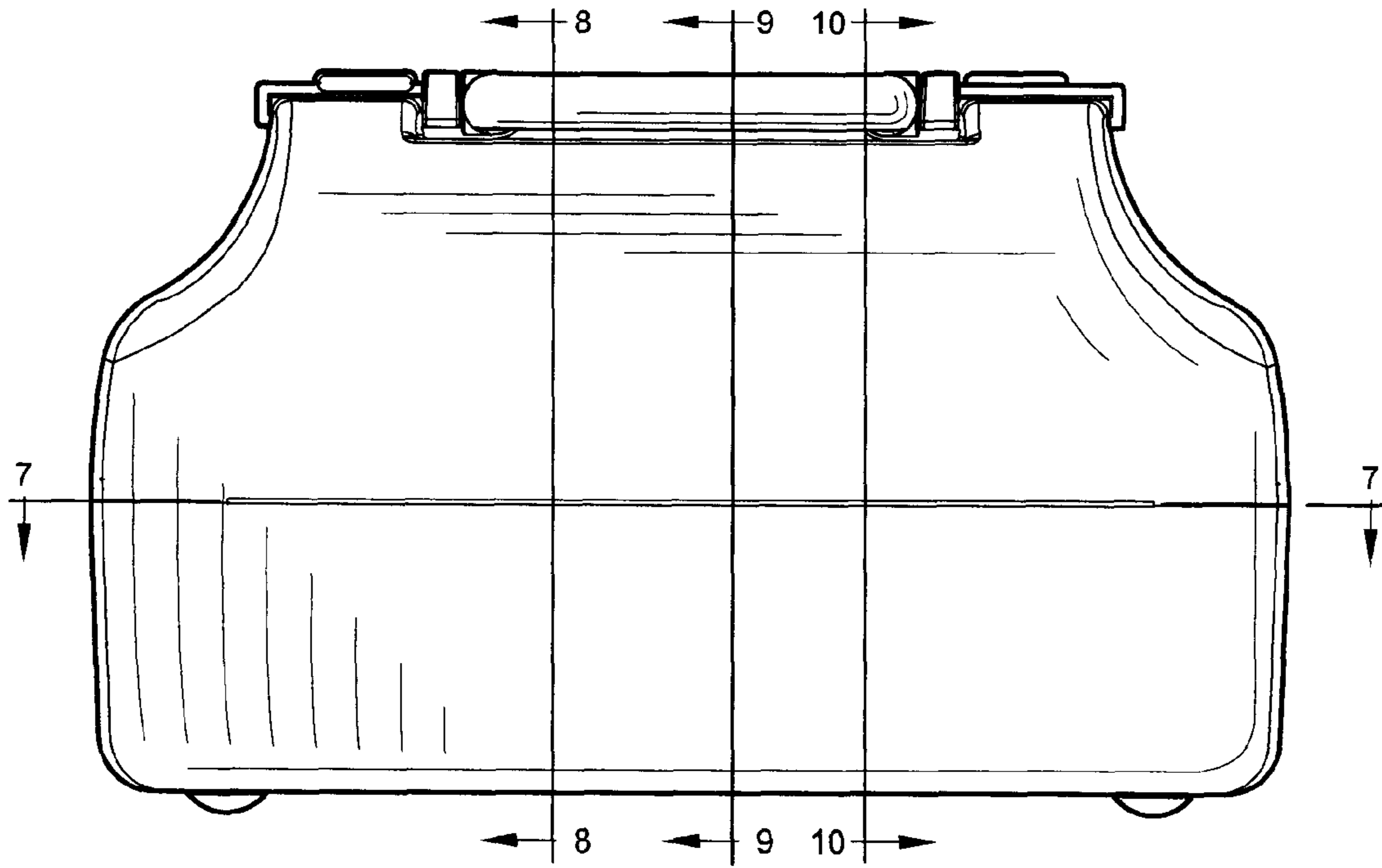


Fig. 4

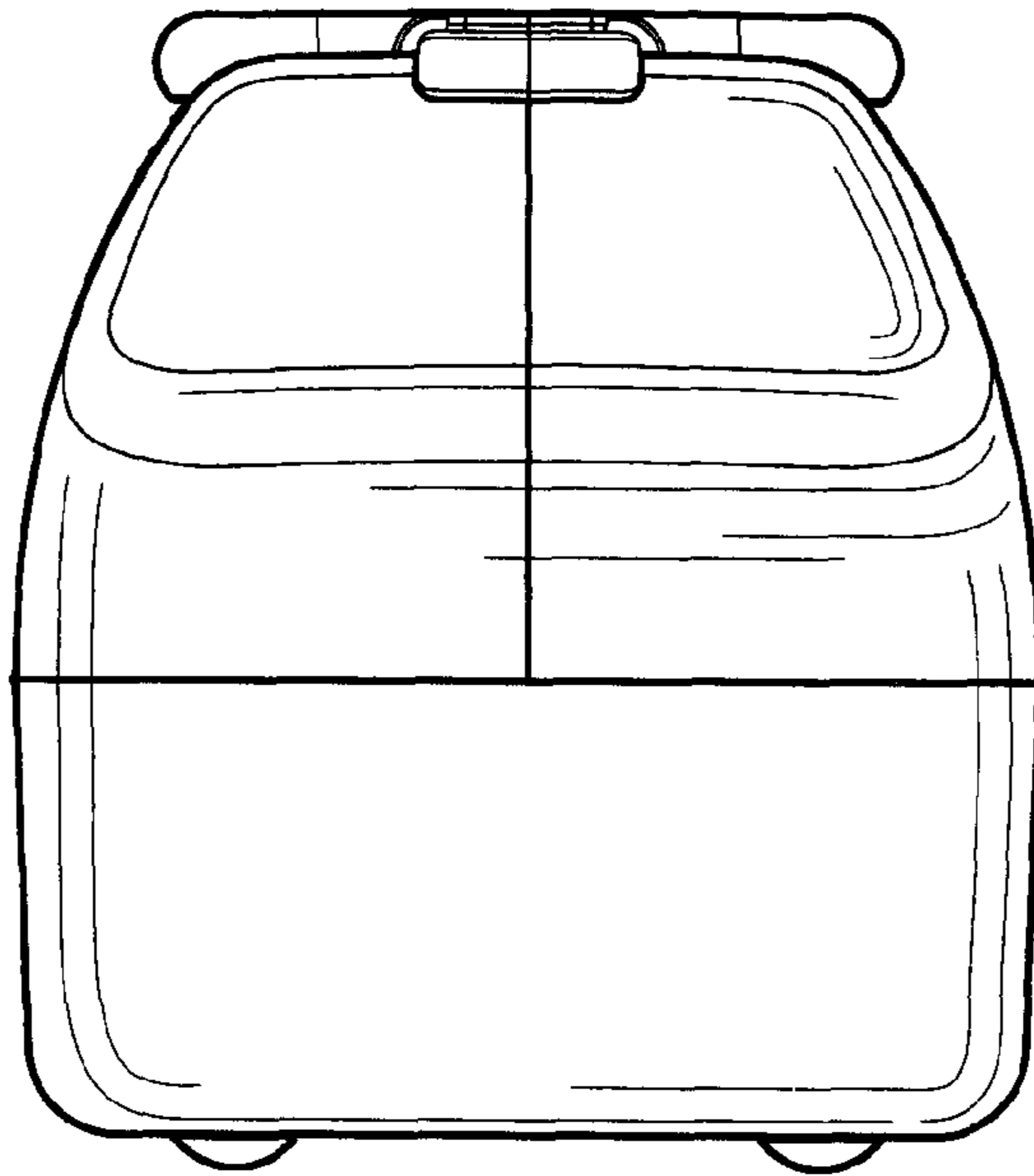


Fig. 5

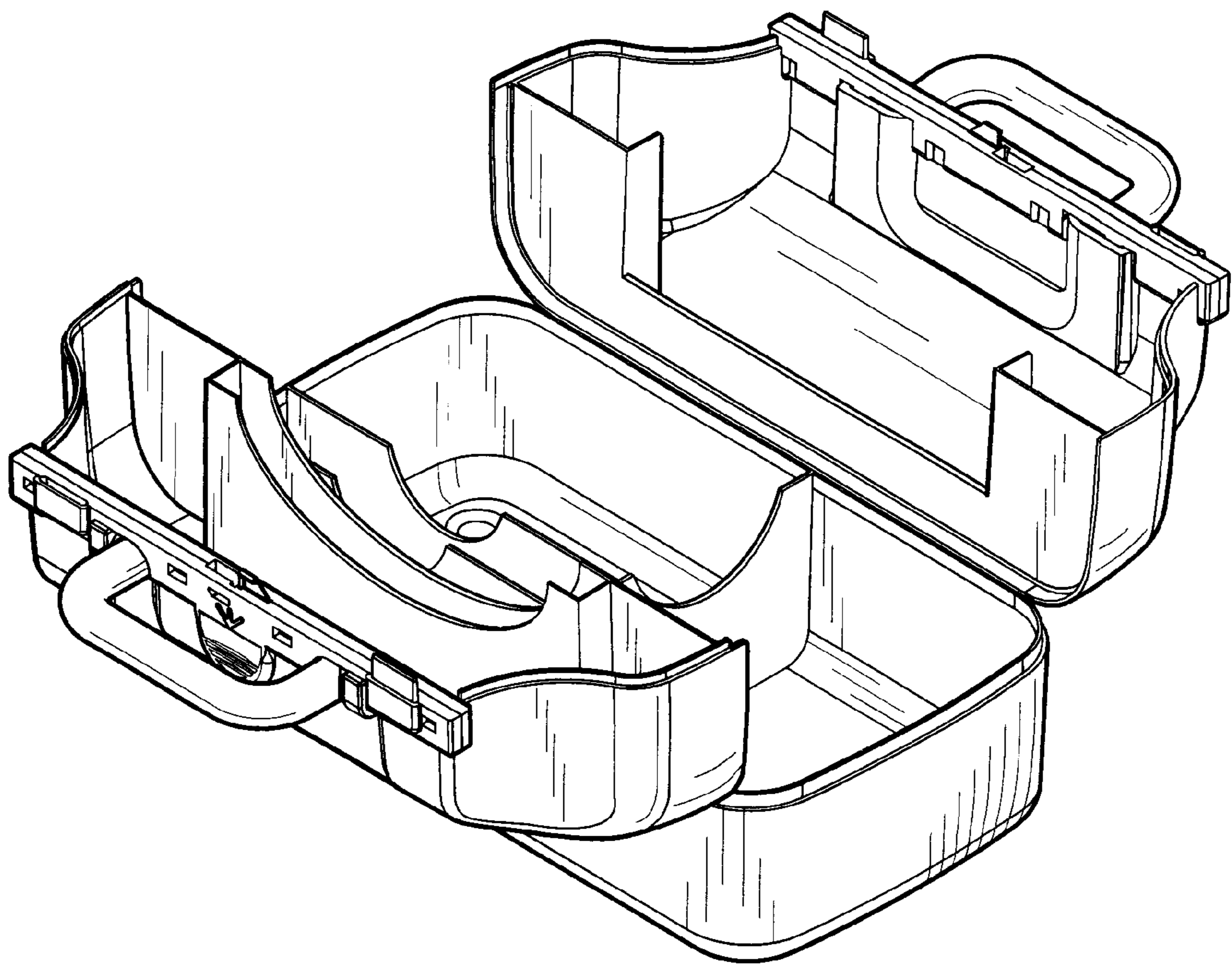


Fig. 6

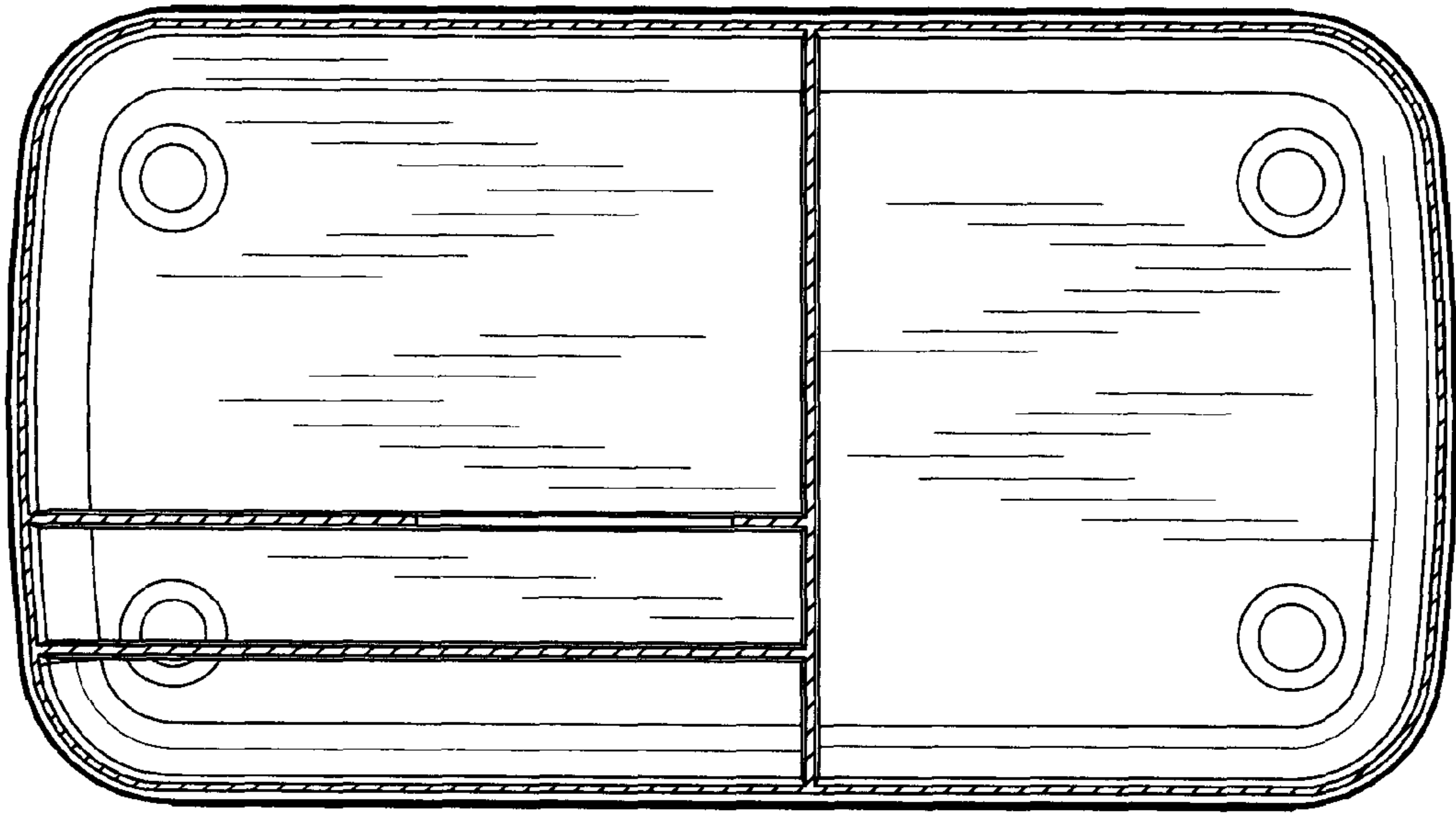


Fig. 7

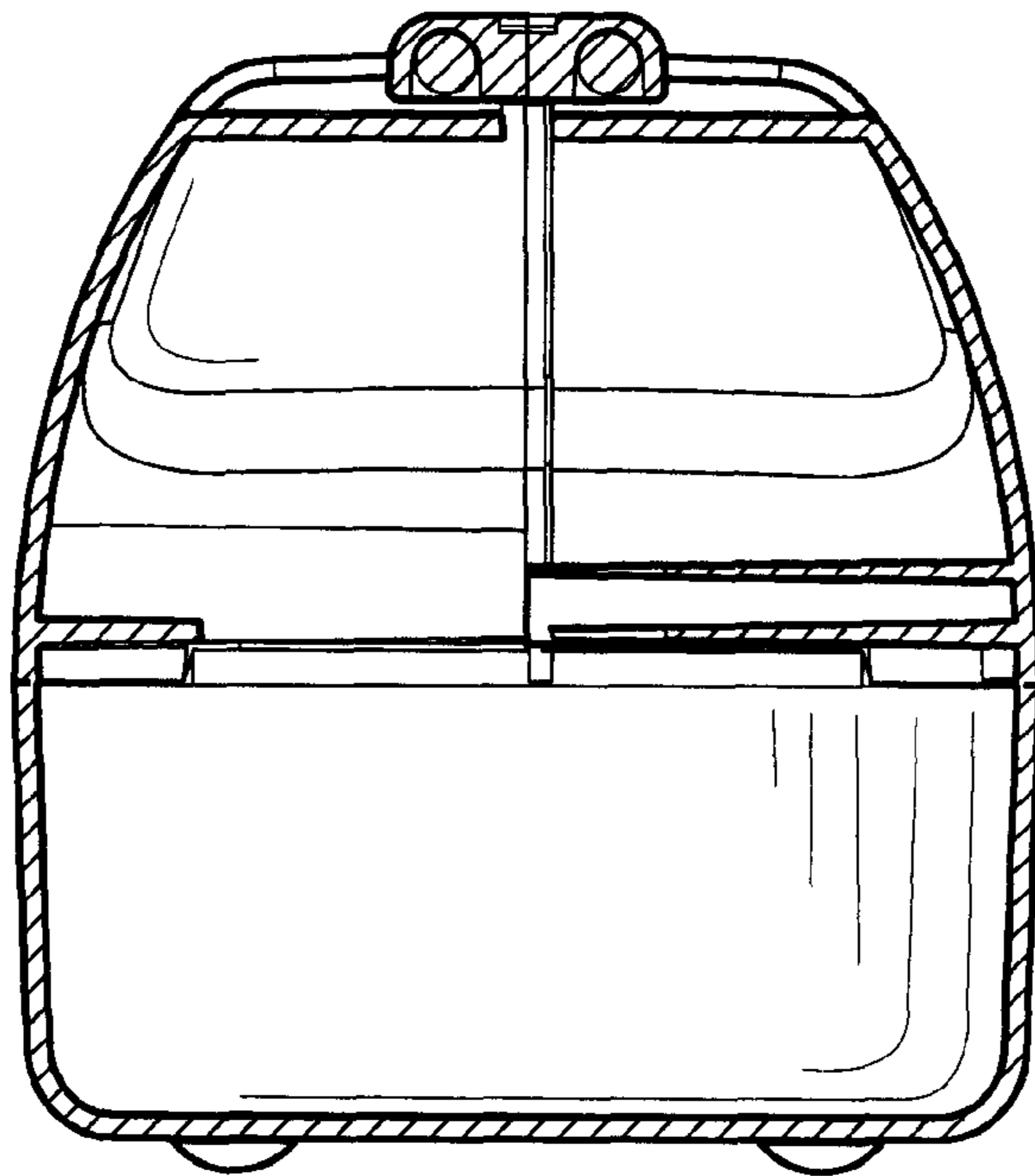


Fig. 8

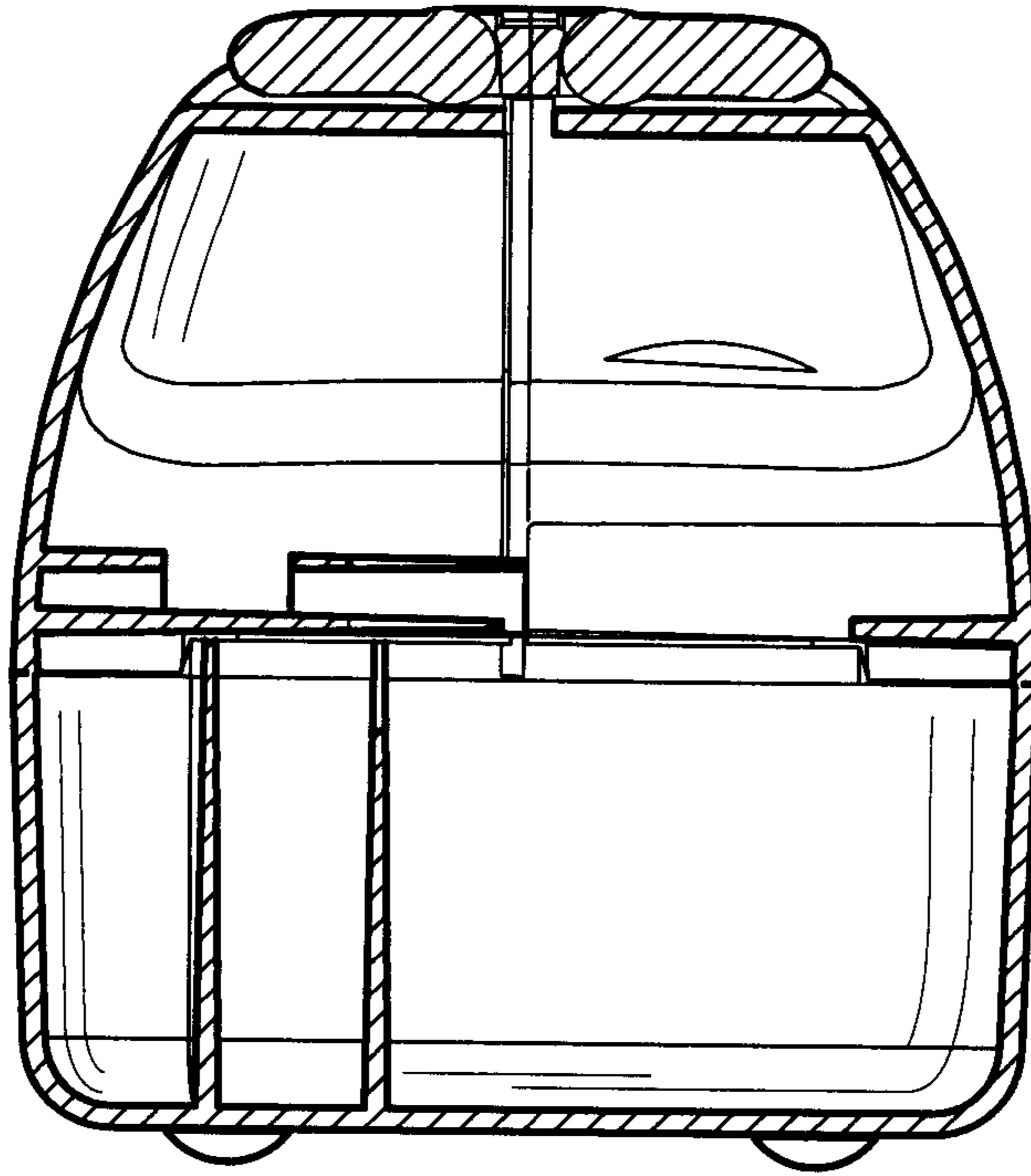


Fig. 9

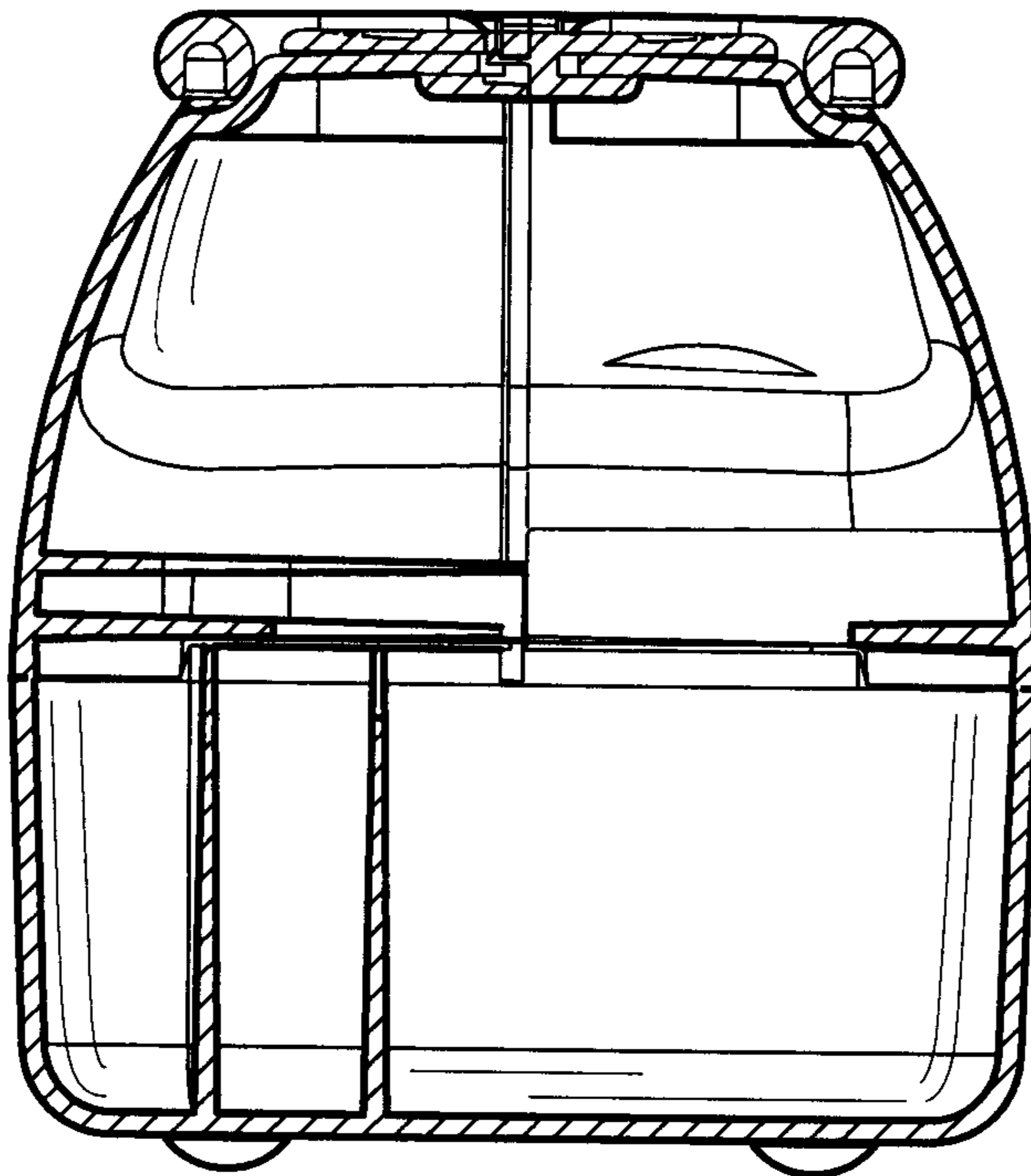


Fig. 10