



US00D535459S

(12) **United States Design Patent**  
**Cordes et al.**

(10) **Patent No.:** **US D535,459 S**  
(45) **Date of Patent:** **\*\* Jan. 23, 2007**

(54) **RALLY CAP VISOR**

(76) Inventors: **Mark Cordes**, 2901 Marshall Rd.,  
Drexel Hill, PA (US) 19026; **Gerard**  
**Joseph Foti**, 3-2 Brookhill West,  
Sugarloaf, PA (US) 18249

(\*\*) Term: **14 Years**

(21) Appl. No.: **29/235,418**

(22) Filed: **Aug. 2, 2005**

(51) **LOC (8) Cl.** ..... **02-03**

(52) **U.S. Cl.** ..... **D2/876**

(58) **Field of Classification Search** ..... D2/865,  
D2/869, 871-873, 876, 879, 882-884, 888,  
D2/893; 2/10, 12, 171, 172, 174, 175.1, 175.4,  
2/181, 183, 195.1-195.7, 209.12, 209.13,  
2/209.3; D6/440; D28/18; 222/570; 4/521;  
66/171

See application file for complete search history.

(56) **References Cited**

**U.S. PATENT DOCUMENTS**

D20,441 S	*	1/1891	Brahadi	.....	D2/888
1,915,092 A	*	6/1933	Hendrickson	.....	66/171
2,032,898 A	*	3/1936	Wilson	.....	4/521
3,221,955 A	*	12/1965	Banaszak et al.	.....	222/570
3,348,240 A	*	10/1967	Kohn	.....	2/174
D234,236 S	*	2/1975	Miller	.....	D2/876
4,317,238 A	*	3/1982	Amin	.....	2/12
4,481,680 A	*	11/1984	Mason et al.	.....	2/174
5,105,476 A	*	4/1992	Cox	.....	2/12
D380,678 S	*	7/1997	Borgstede et al.	.....	D9/440

5,664,261 A	*	9/1997	Lacy	.....	2/172
5,983,398 A	*	11/1999	Kronenberger	.....	2/181
D419,752 S		2/2000	Hathaway		
D423,196 S		4/2000	White		
6,199,213 B1	*	3/2001	Whang	.....	2/181
D457,712 S	*	5/2002	Glaser	.....	D2/869
D459,059 S	*	6/2002	Park	.....	D2/876
6,766,538 B2	*	7/2004	Park	.....	2/175.4
D498,572 S		11/2004	Ling		
6,810,533 B1	*	11/2004	Nahabedian et al.	.....	2/209.3

\* cited by examiner

*Primary Examiner*—Caron D. Veynar  
*Assistant Examiner*—Mary Ann Calabrese

(57) **CLAIM**

The ornamental design for a rally cap visor, as shown and described.

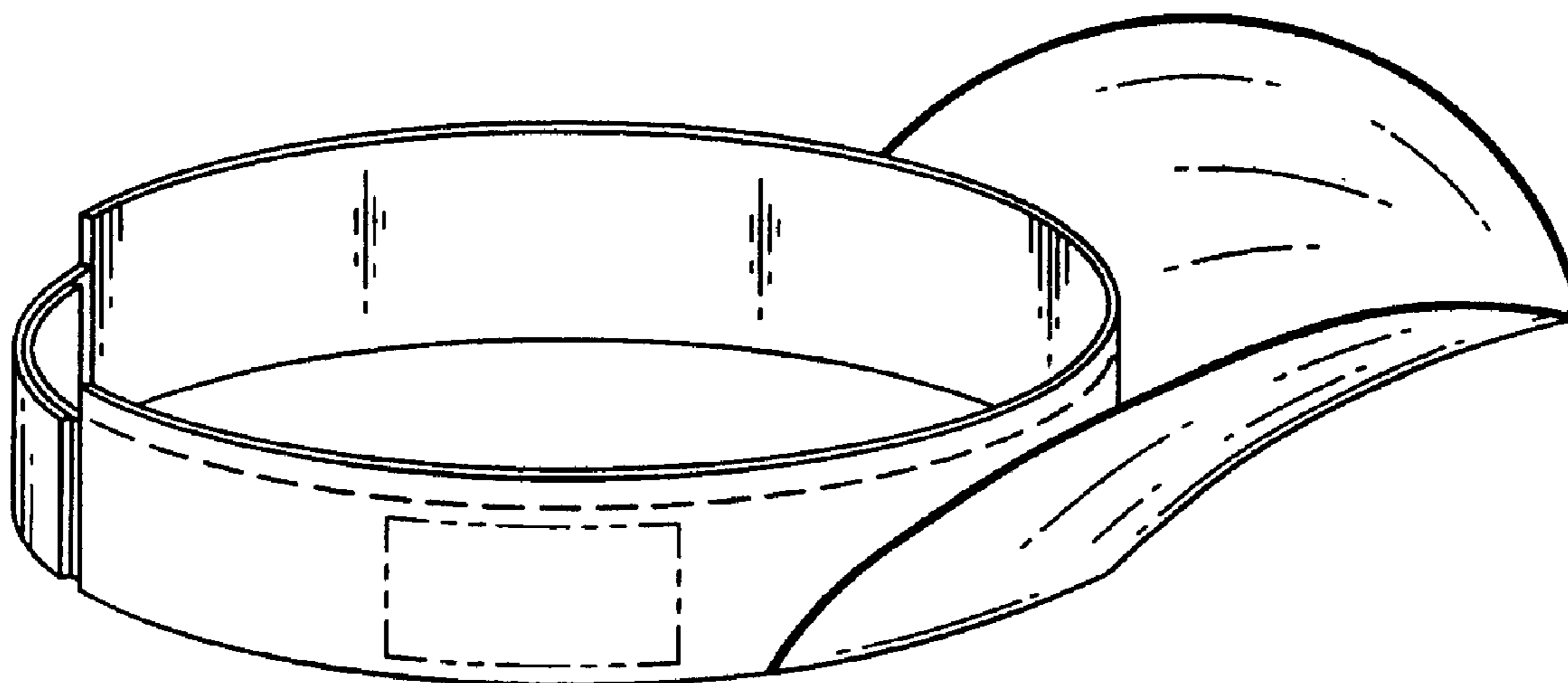
**DESCRIPTION**

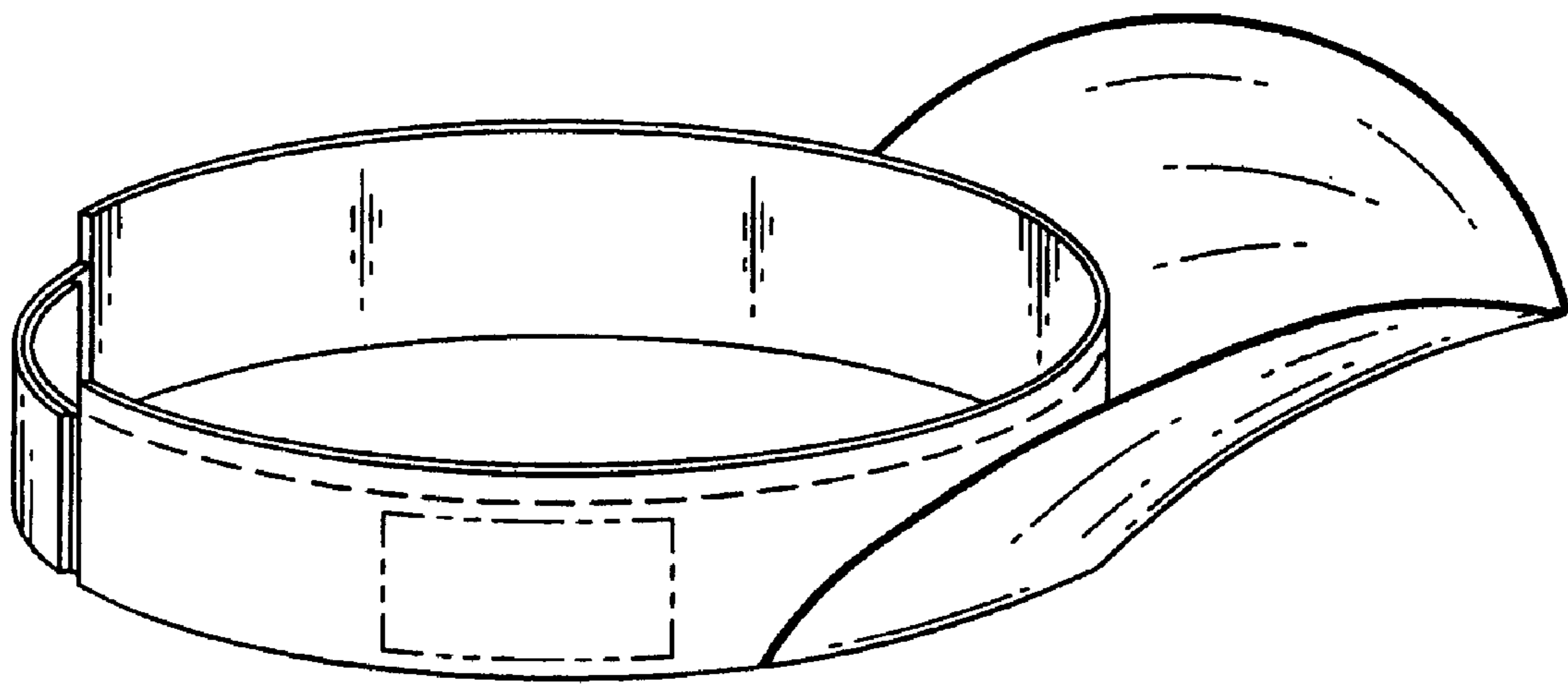
FIG. 1 is a side perspective view of the rally cap visor showing the new design;  
FIG. 2 is a top view thereof;  
FIG. 3 is a bottom view thereof;  
FIG. 4 is a front view thereof;  
FIG. 5 is a rear view thereof;  
FIG. 6 is a right side view thereof; and,  
FIG. 7 is a left side view thereof.

The broken line showing a rectangle in FIGS. 1, 5, 6 and 7 is for illustrative purposes only and forms no part of the claimed design.

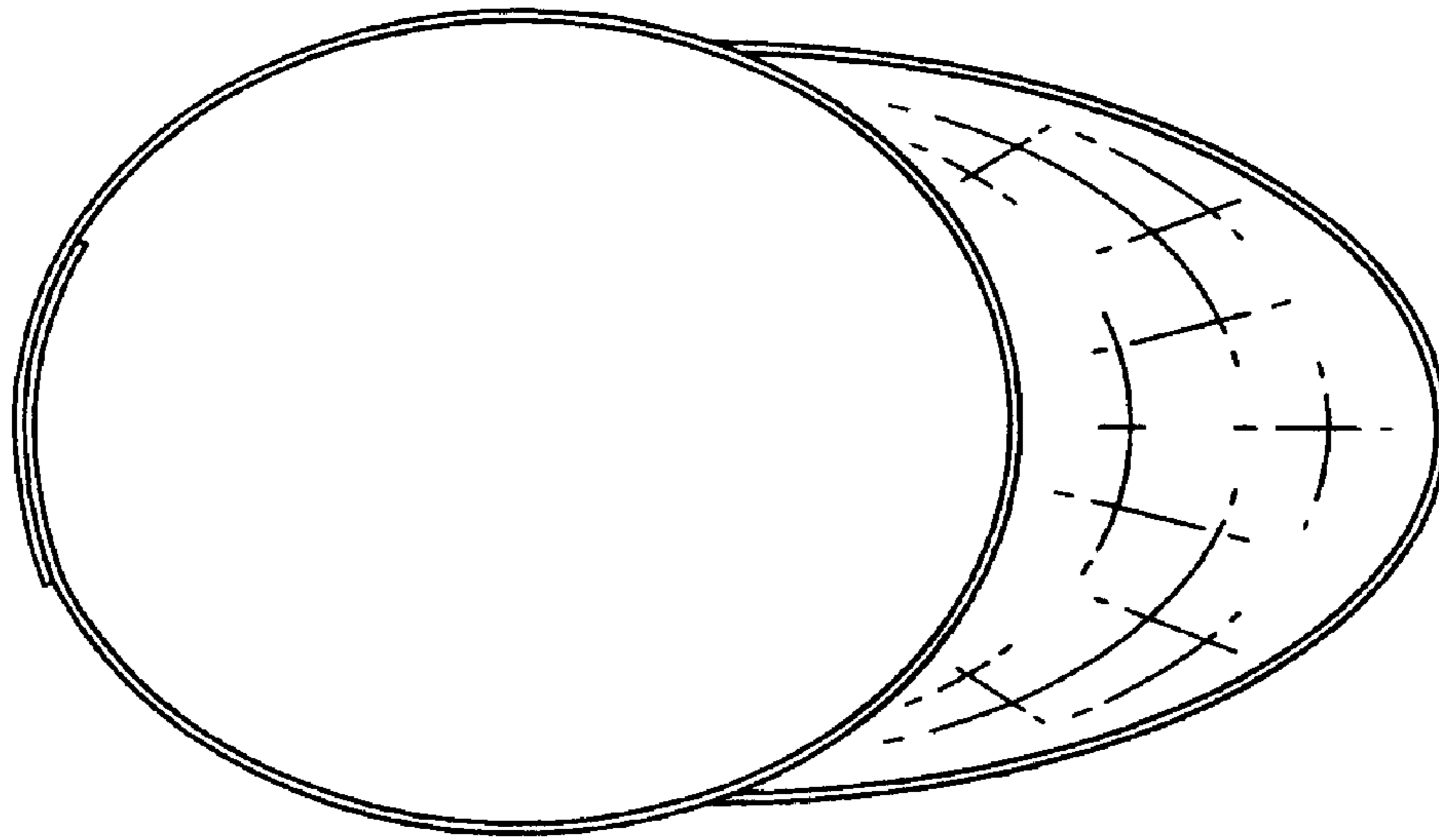
The evenly spaced broken lines along the top of the head-band represent stitching forming part of the claimed design.

**1 Claim, 4 Drawing Sheets**

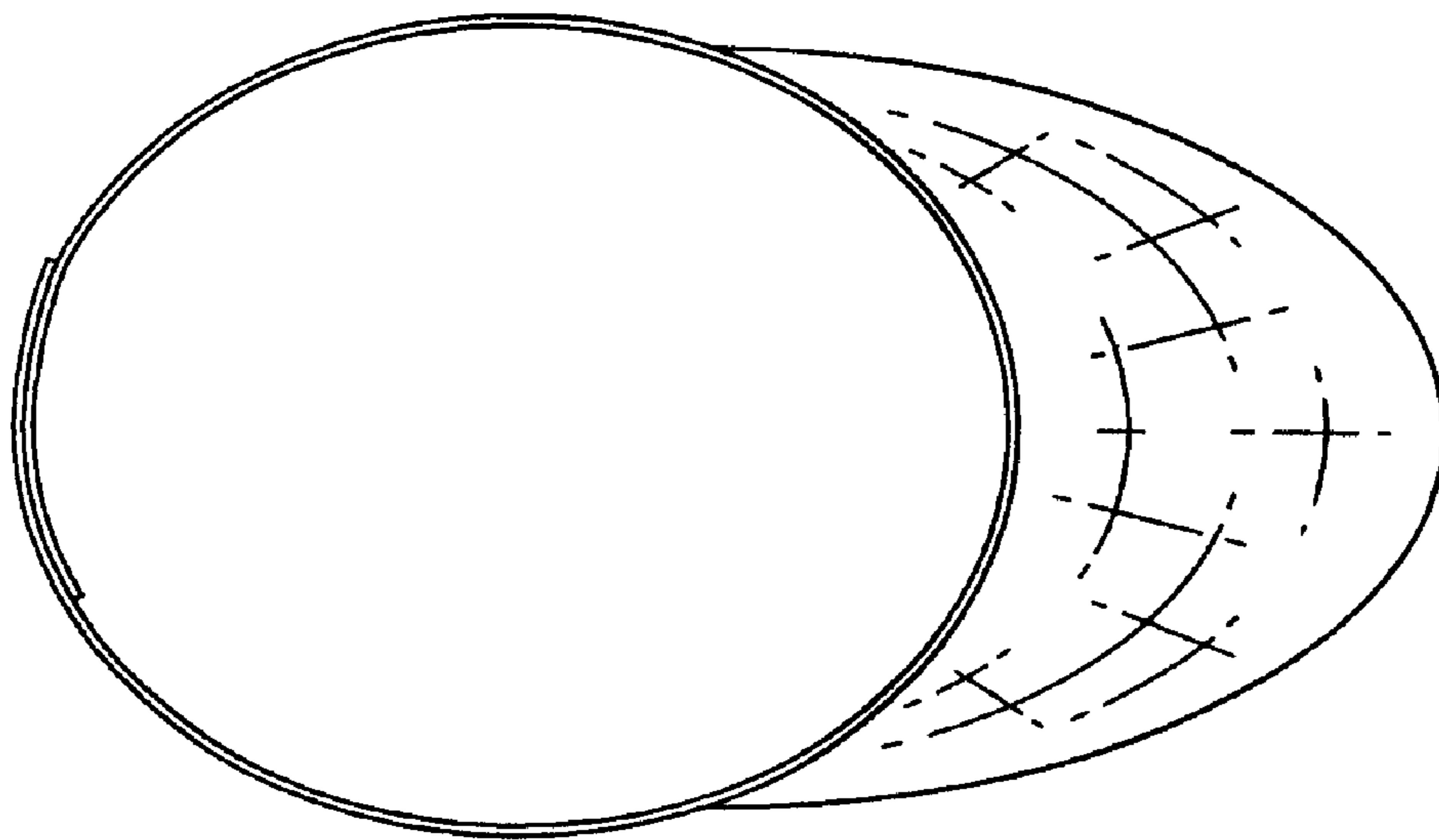




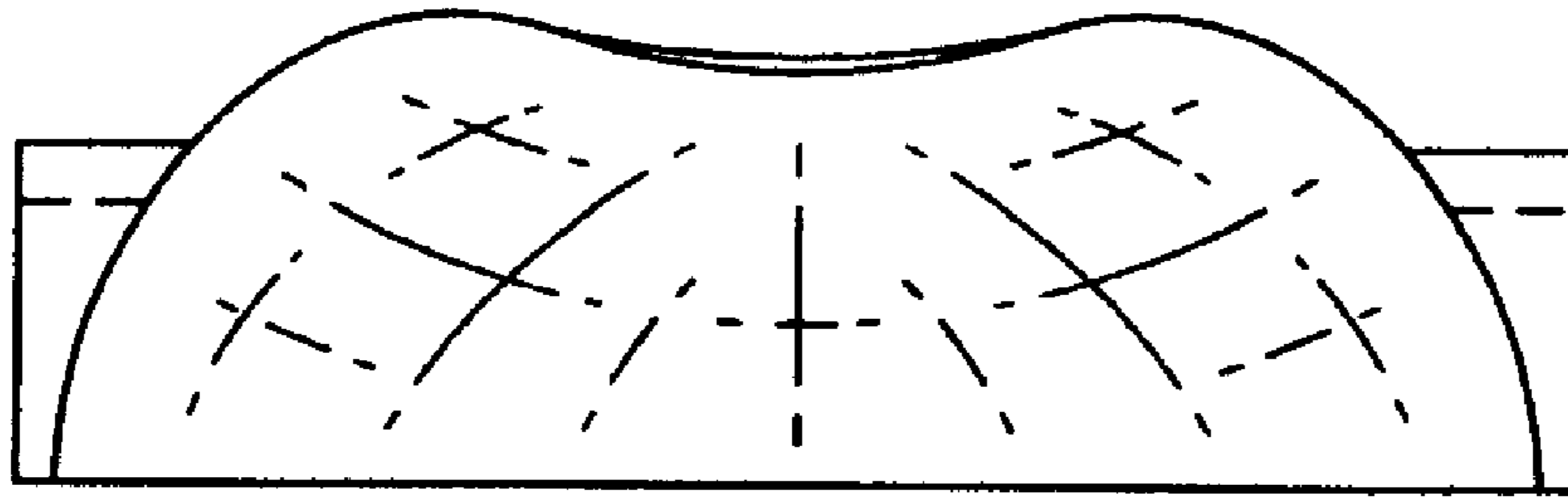
*Fig. 1*



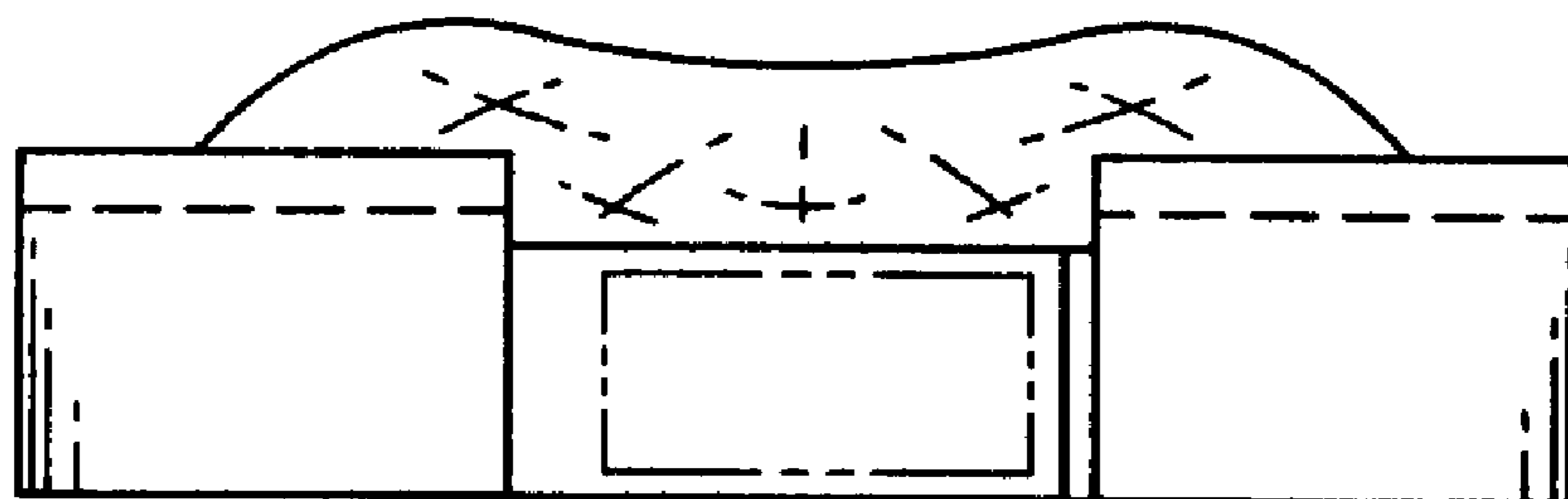
*Fig. 2*



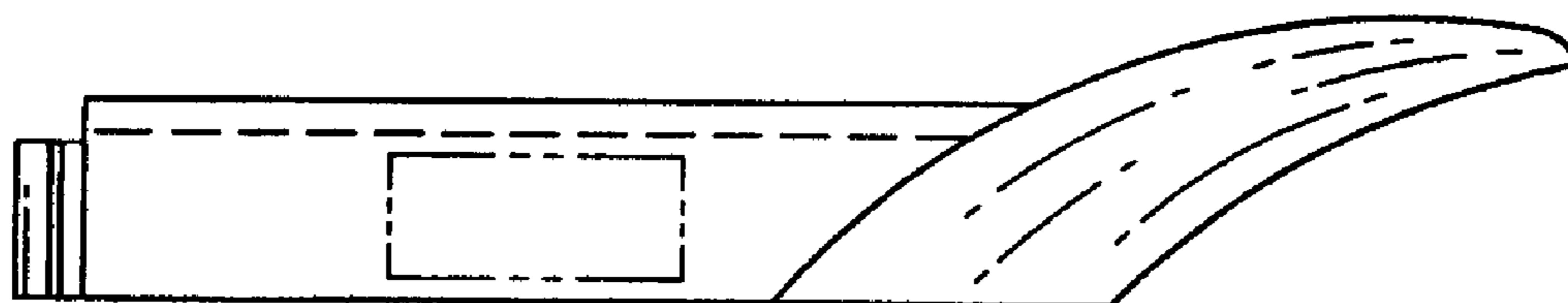
*Fig. 3*



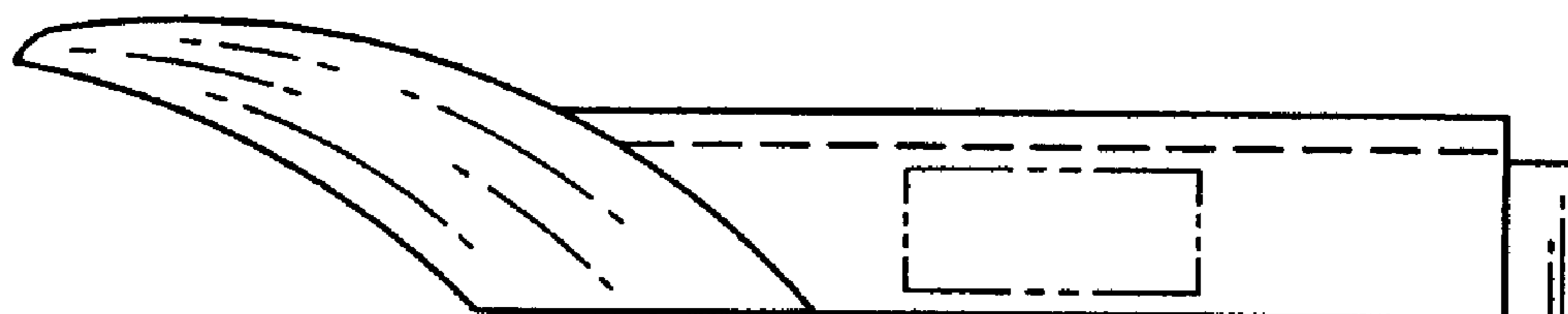
*Fig. 4*



*Fig. 5*



*Fig. 6*



*Fig. 7*