

US00D535454S

(12) **United States Design Patent**
Wareham

(10) **Patent No.:** **US D535,454 S**

(45) **Date of Patent:** **** Jan. 16, 2007**

(54) **MODULAR MOBILIZER ASSEMBLY**

D480,857 S * 10/2003 Wareham D34/28
6,634,658 B1 * 10/2003 Larouche 280/47.2

(75) Inventor: **Robert C. Wareham**, Midland, MI (US)

* cited by examiner

(73) Assignee: **Cignys, Inc.**, Saginaw, MI (US)

Primary Examiner—Cynthia E. Ramirez
(74) *Attorney, Agent, or Firm*—Reising, Ethington, Barnes, Kisselle, P.C.

(**) Term: **14 Years**

(57) **CLAIM**

(21) Appl. No.: **29/224,506**

The ornamental design for a modular mobilizer assembly, as shown and described.

(22) Filed: **Mar. 3, 2005**

(51) **LOC (8) Cl.** **12-05**

(52) **U.S. Cl.** **D34/28**

(58) **Field of Classification Search** D34/23,
D34/28, 33; 414/458, 589, 10; 254/108, 8 R;
180/41

See application file for complete search history.

DESCRIPTION

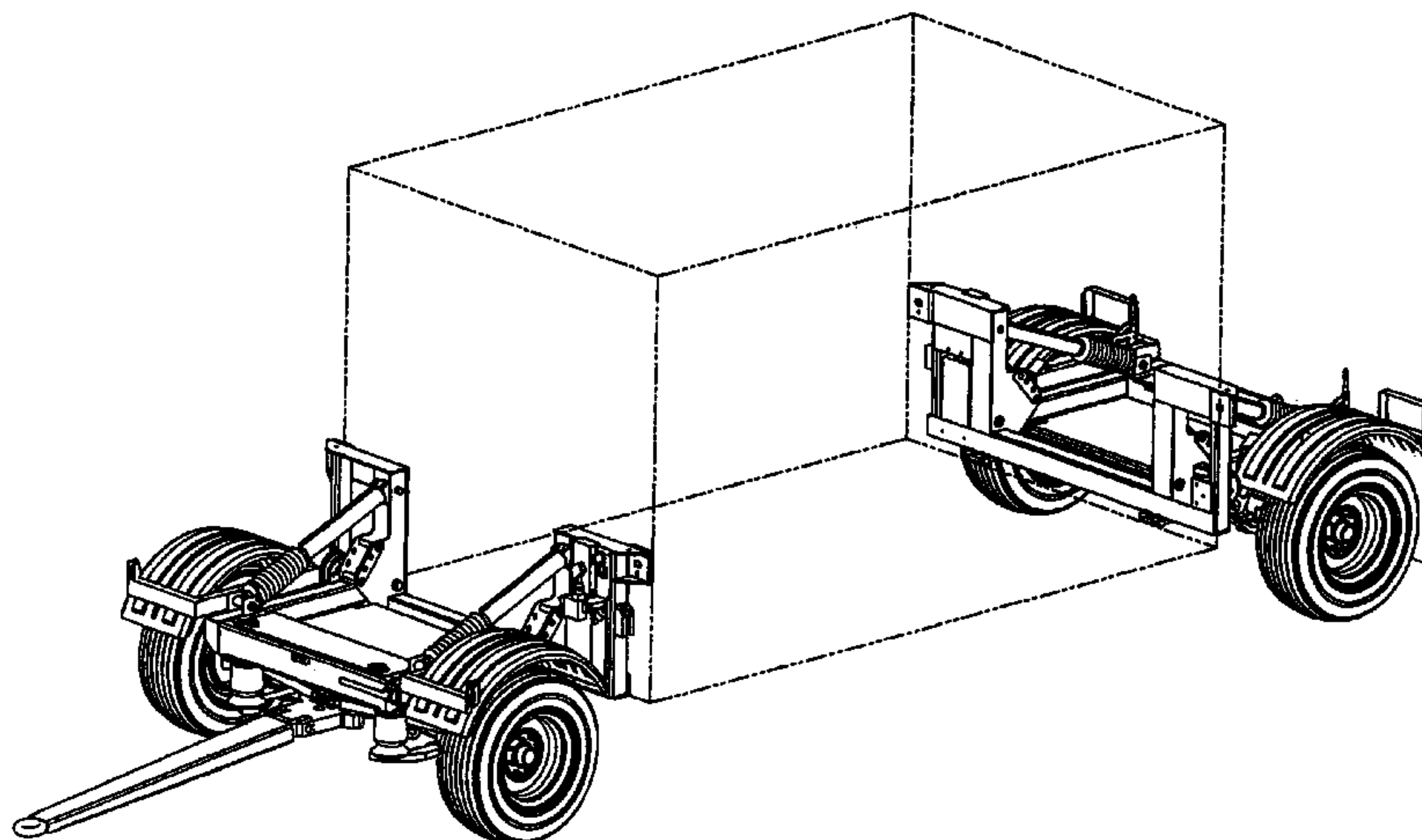
(56) **References Cited**

U.S. PATENT DOCUMENTS

2,968,490 A	1/1961	Baus	
3,156,484 A	11/1964	Talbert	
3,189,363 A	6/1965	Pierrat	
3,193,301 A	7/1965	Talbert et al.	
3,243,193 A	3/1966	Fulmer et al.	
3,315,974 A	4/1967	Weaver, Jr. et al.	
3,378,276 A	* 4/1968	Fulmer	280/43.23
3,497,231 A	2/1970	Fulmer et al.	
3,521,898 A	7/1970	Fulmer et al.	
3,631,999 A	* 1/1972	Walerowski	414/458
3,795,336 A	3/1974	Acker et al.	
3,885,808 A	5/1975	Derrwaldt	
3,929,241 A	* 12/1975	Putnam	414/458
4,231,709 A	* 11/1980	Corsetti	414/458
4,452,555 A	6/1984	Calabro	
4,721,429 A	1/1988	Fujita et al.	
4,861,221 A	8/1989	Krisa	
4,863,334 A	9/1989	Girerd	
4,936,733 A	6/1990	Girerd	
5,006,031 A	4/1991	Fossing et al.	
5,018,930 A	* 5/1991	Hardin et al.	414/458
D323,052 S	1/1992	Pollock et al.	
D379,017 S	4/1997	Chapman	
5,660,518 A	8/1997	Meier	

FIG. 1 is a front perspective view of the modular mobilizer assembly supporting an enclosed housing;
 FIG. 2 is a front perspective view of the modular mobilizer assembly supporting a cargo carrying platform;
 FIG. 3 is a front perspective view of the modular mobilizer assembly in collapsed transport position;
 FIG. 4 is a rear perspective view of the modular mobilizer assembly in collapsed transport position;
 FIG. 5 is a rear perspective view of a rear portion of the modular mobilizer assembly;
 FIG. 6 is a front perspective view of a front portion of the modular mobilizer assembly;
 FIG. 7 is a front elevation view of the modular mobilizer assembly in collapsed transport position;
 FIG. 8 is a top plan view of the modular mobilizer assembly in collapsed transport position;
 FIG. 9 is a right side elevation view of the modular mobilizer assembly in collapsed transport position;
 FIG. 10 is a left side elevation view of the modular mobilizer assembly in collapsed transport position;
 FIG. 11 is a rear elevation view of the modular mobilizer assembly in collapsed transport position; and,
 FIG. 12 is a bottom plan view of the modular mobilizer assembly in collapsed transport position.
 The enclosed housing and cargo carrying platform are shown in broken lines for illustrative purposes only and form no part of the claimed design. The modular mobilizer assembly is being shown separated in FIGS. 5 and 6 for convenience of illustration.

1 Claim, 12 Drawing Sheets



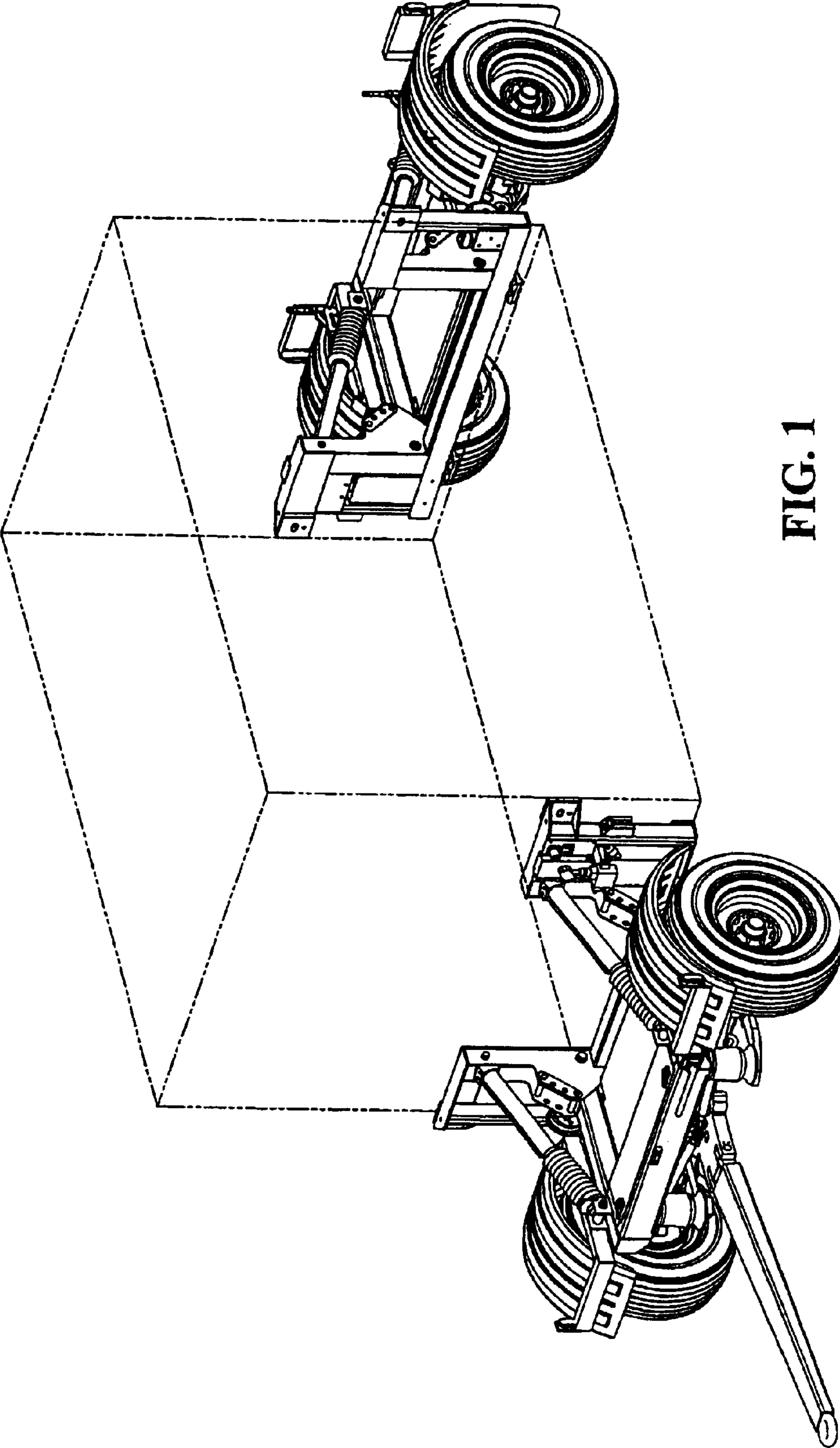


FIG. 1

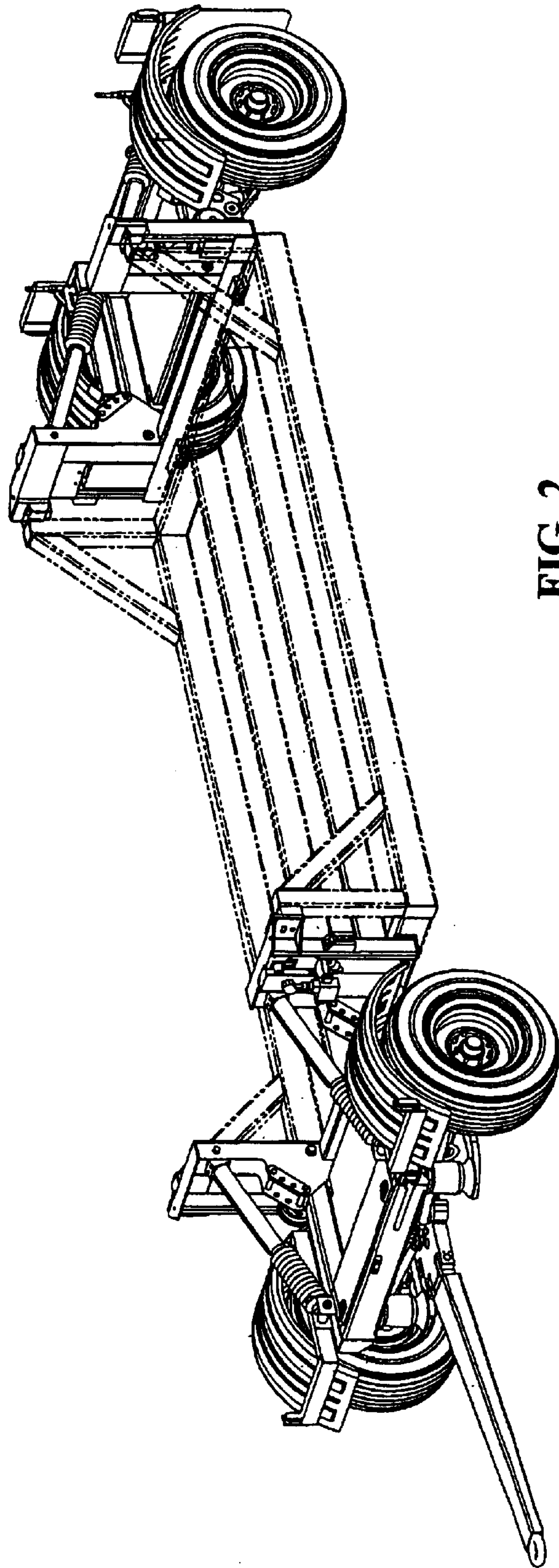


FIG. 2

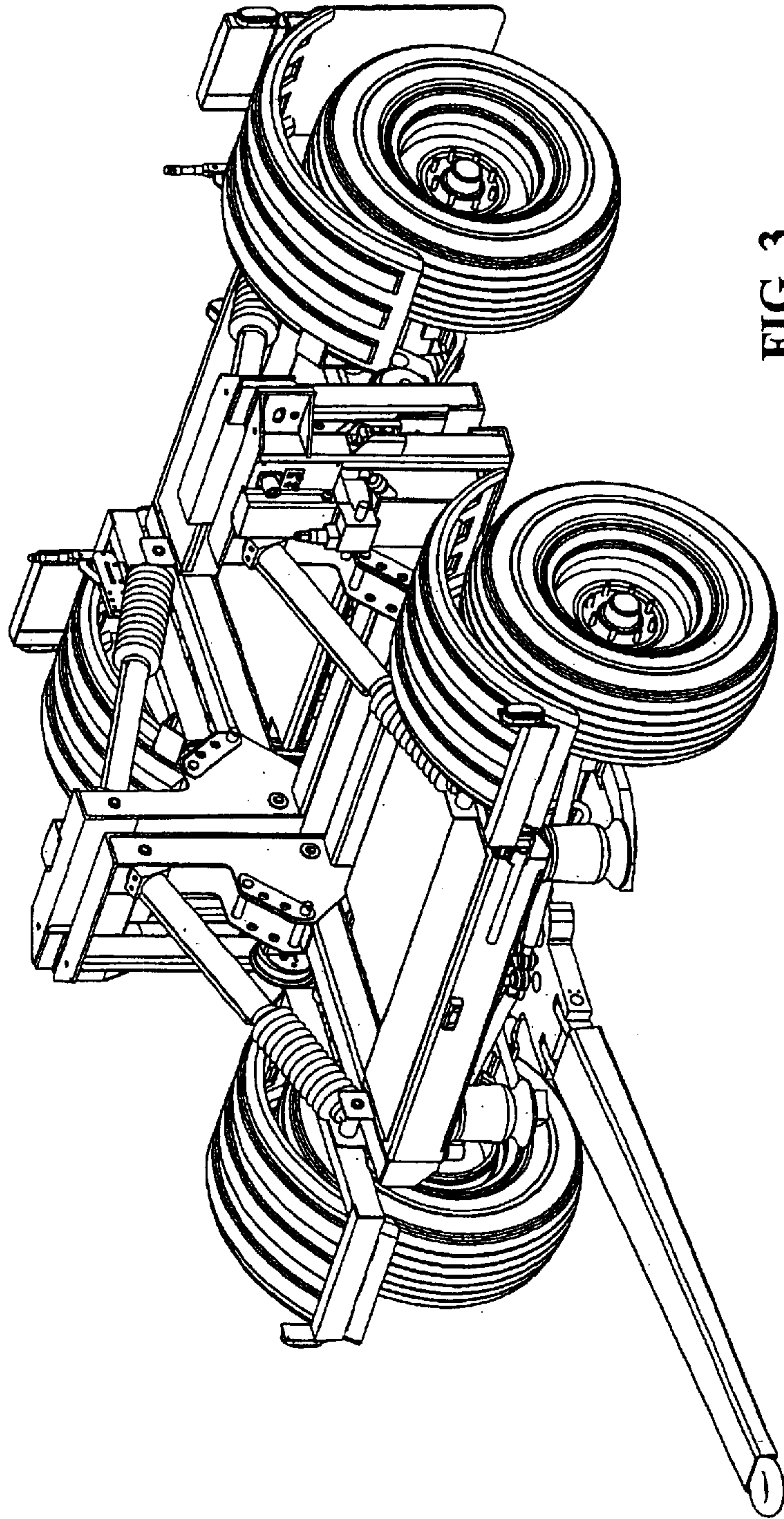


FIG. 3

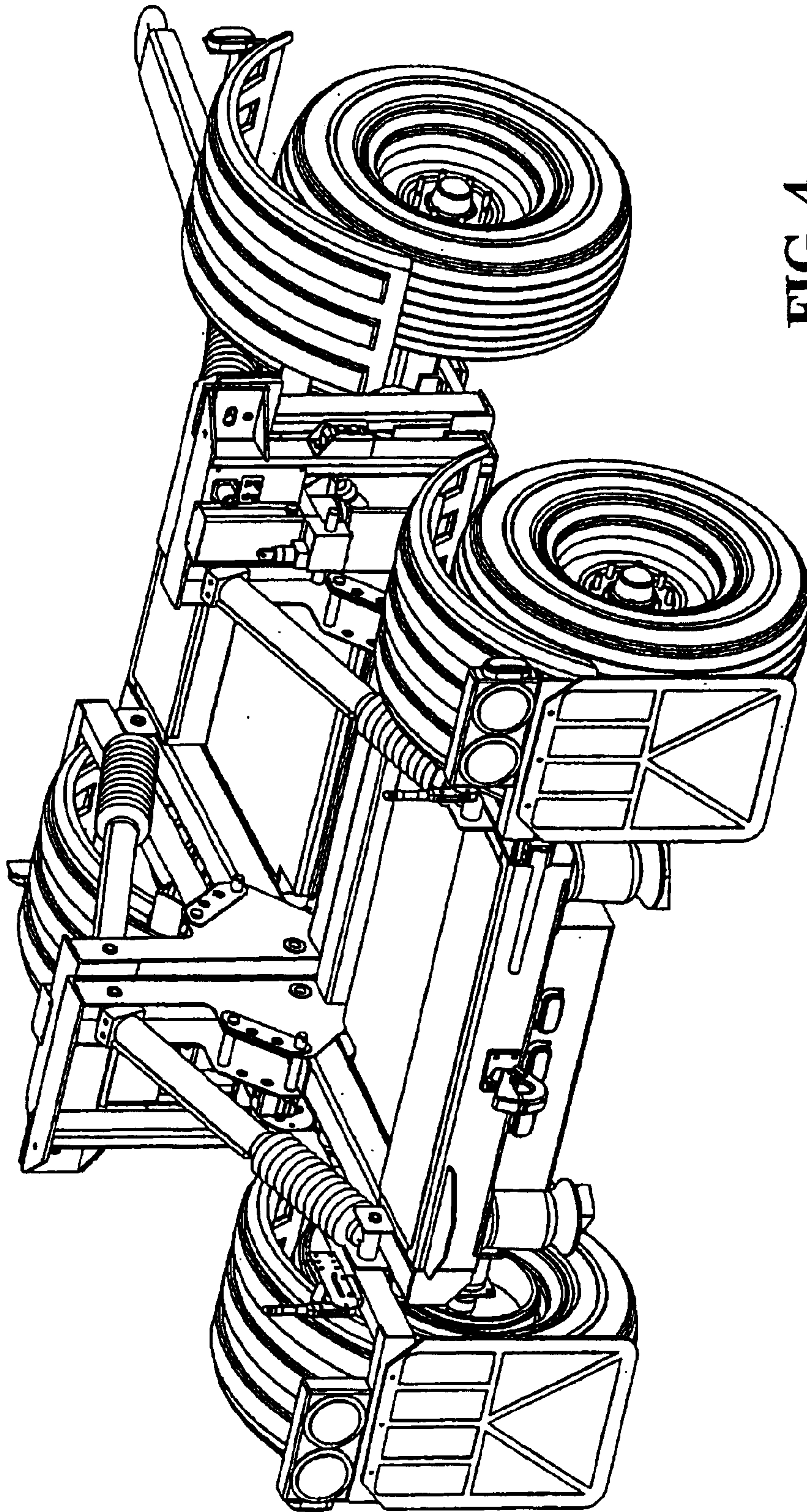


FIG. 4

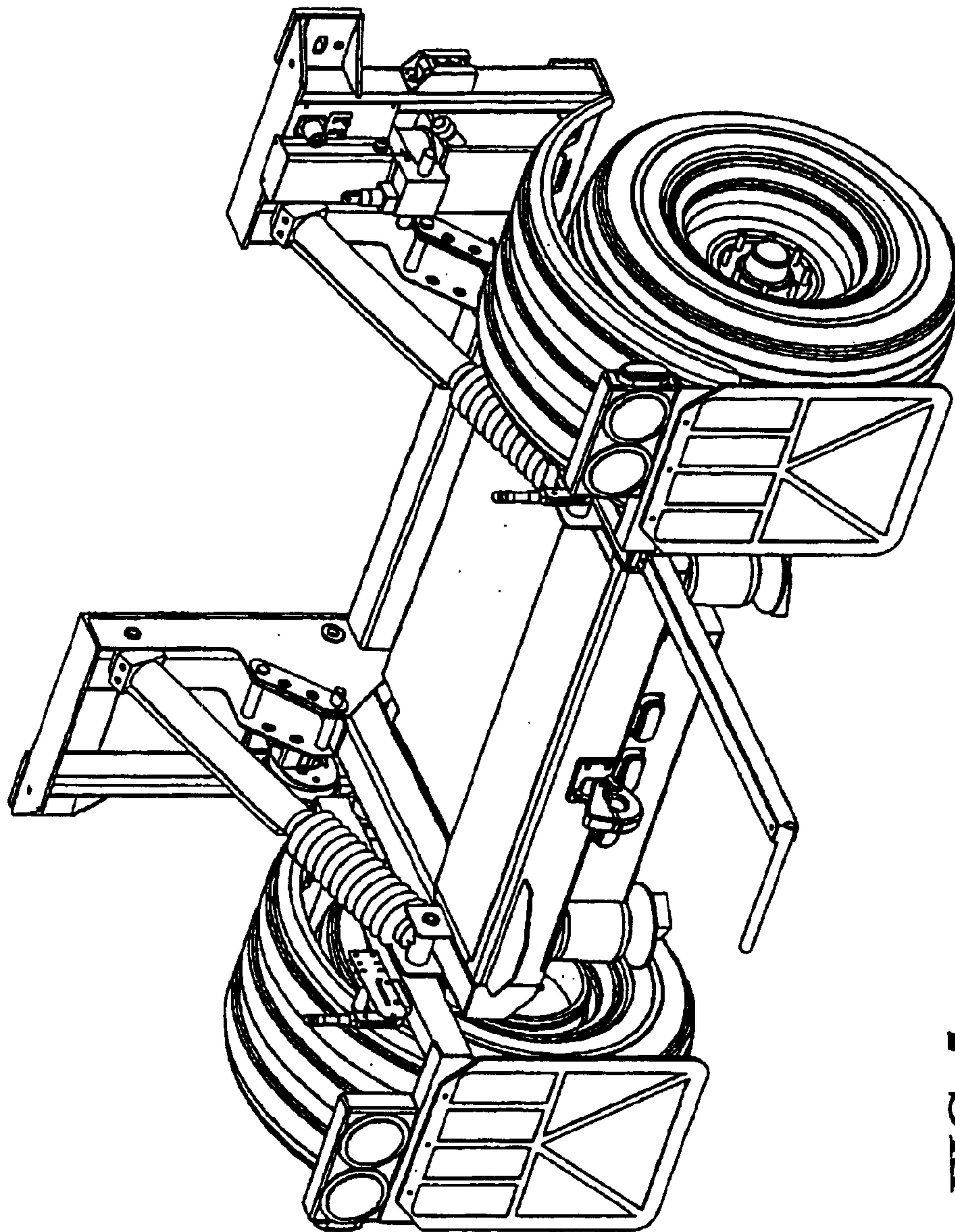


FIG. 5

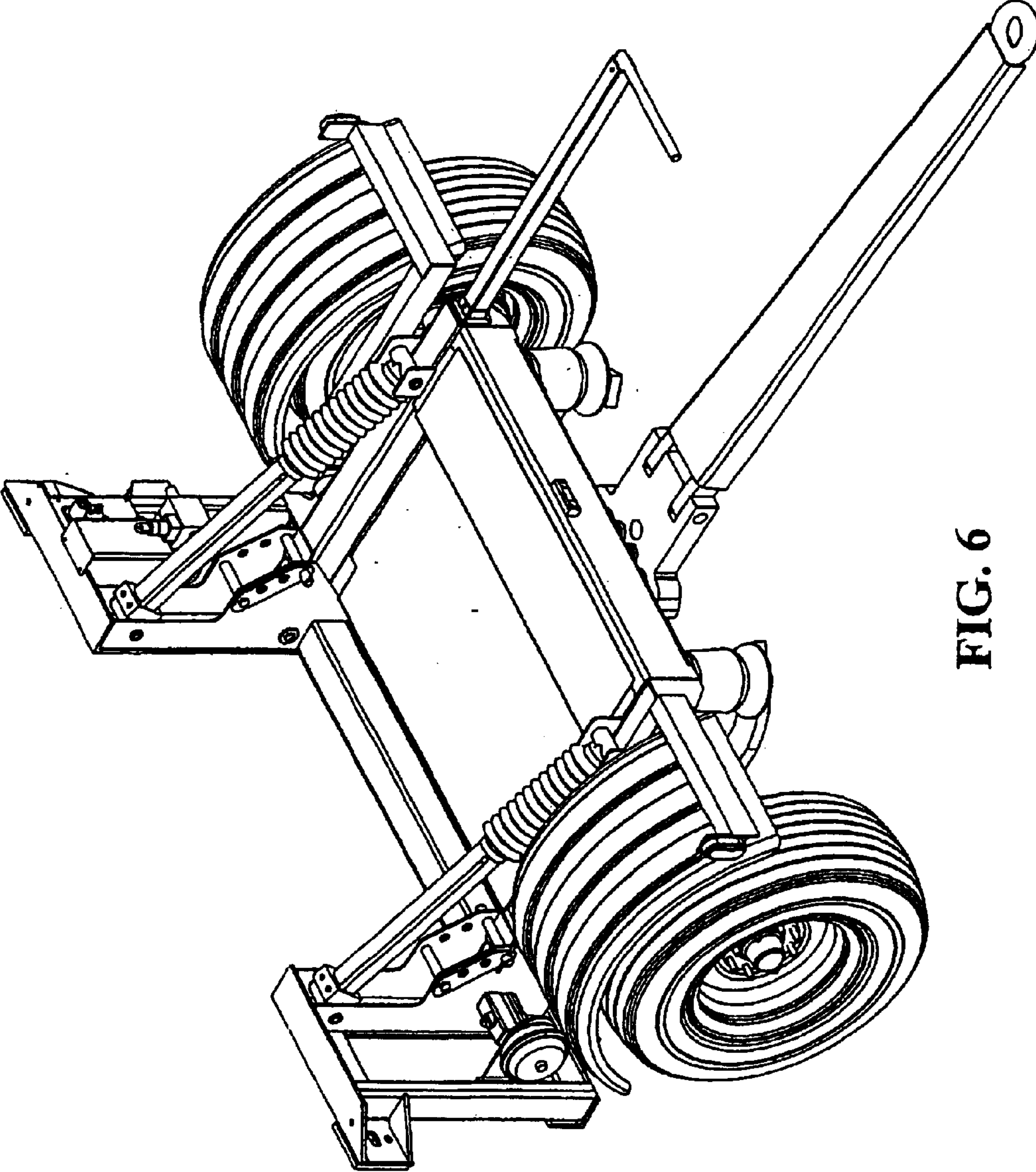


FIG. 6

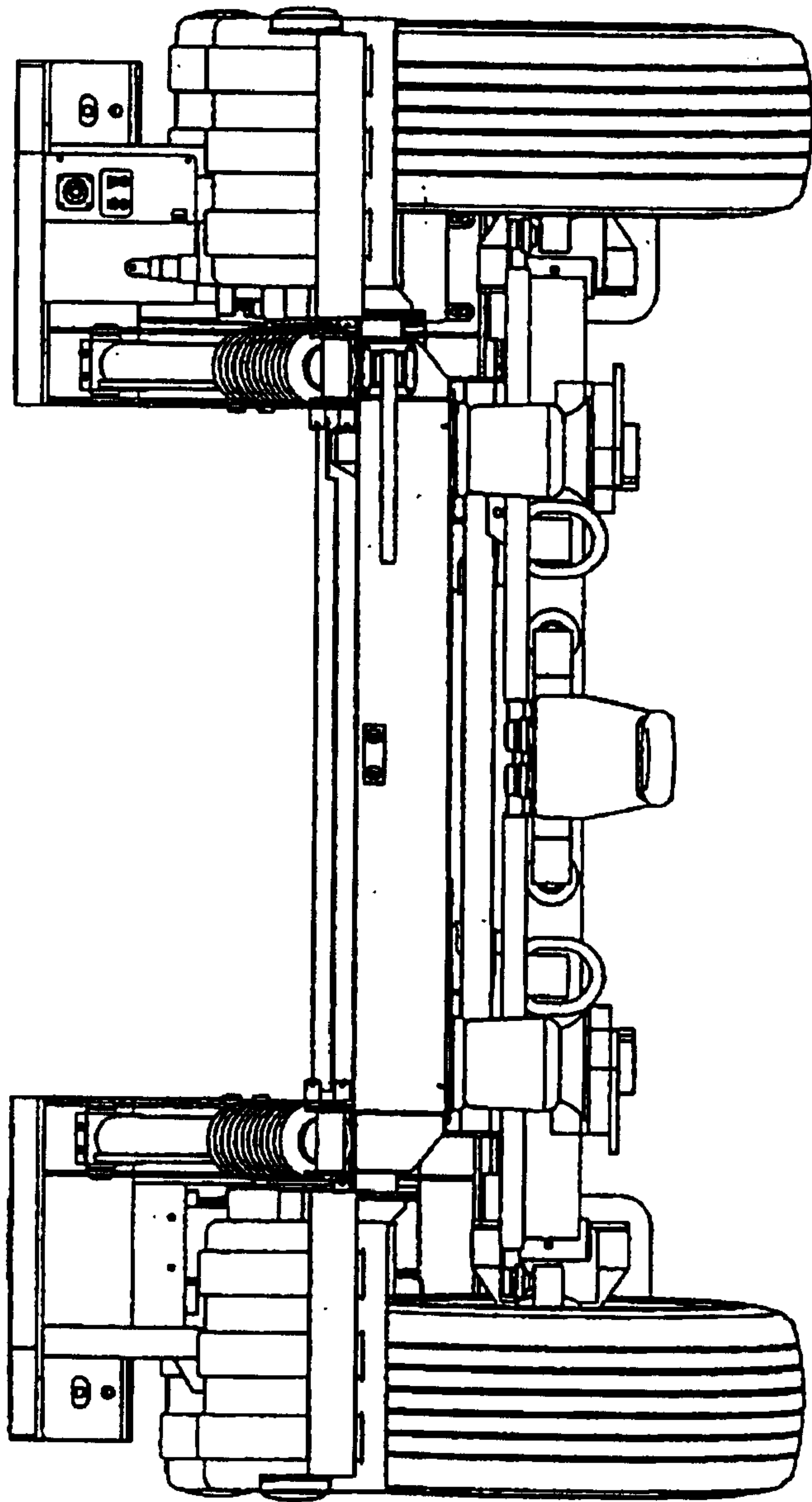


FIG. 7

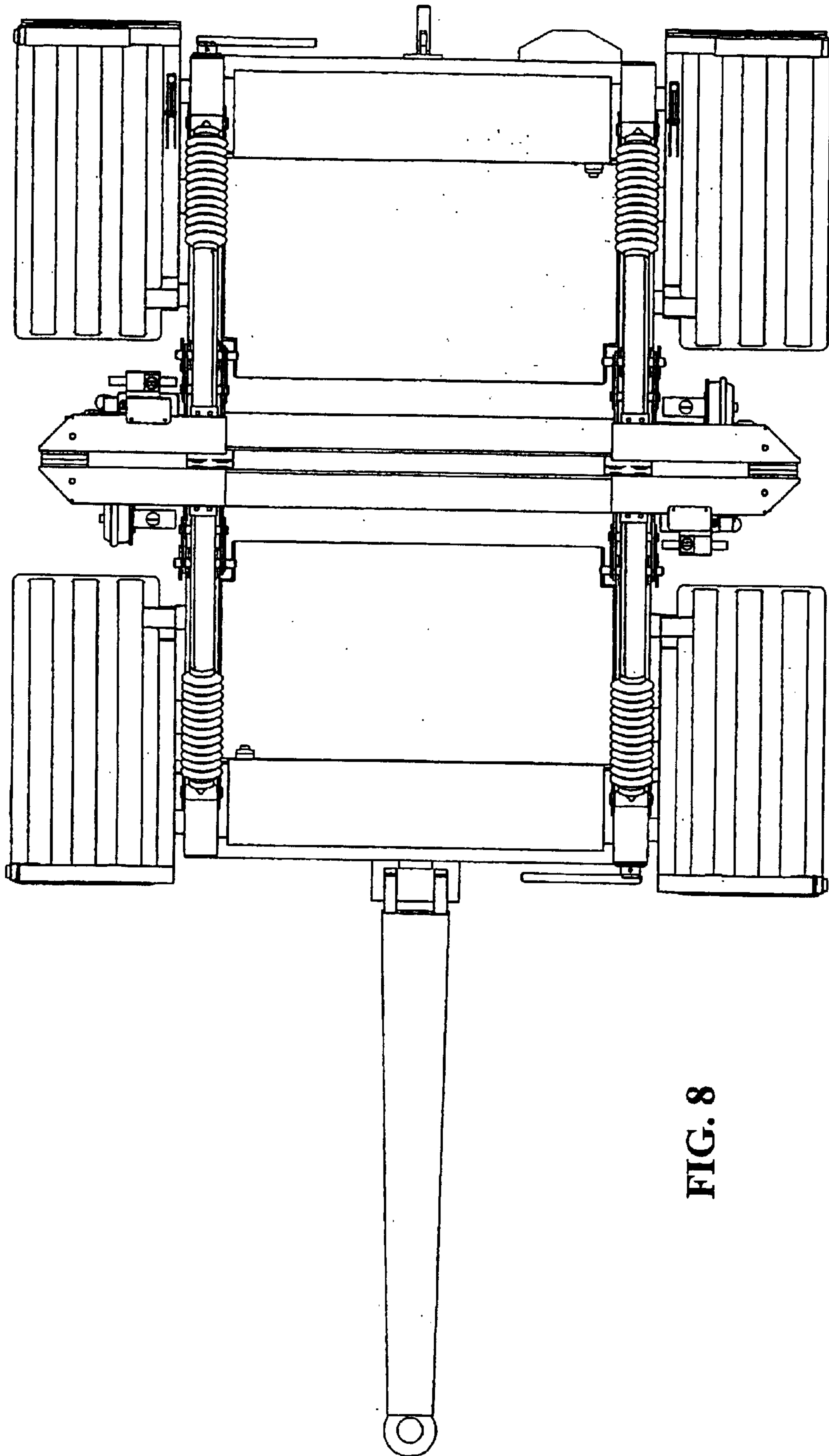


FIG. 8

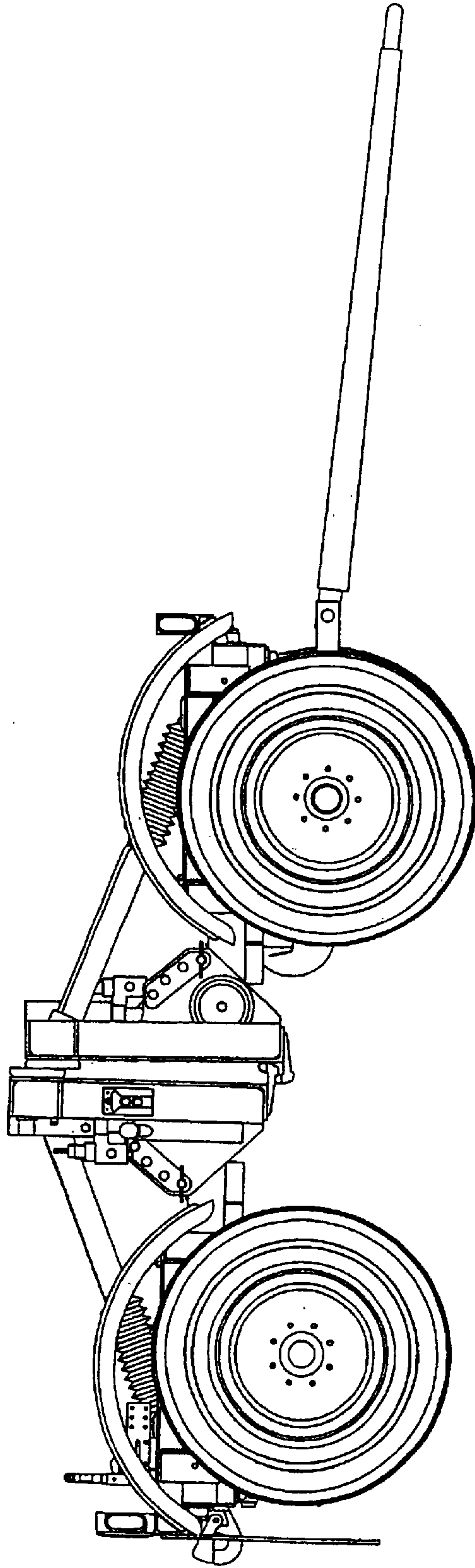


FIG. 9

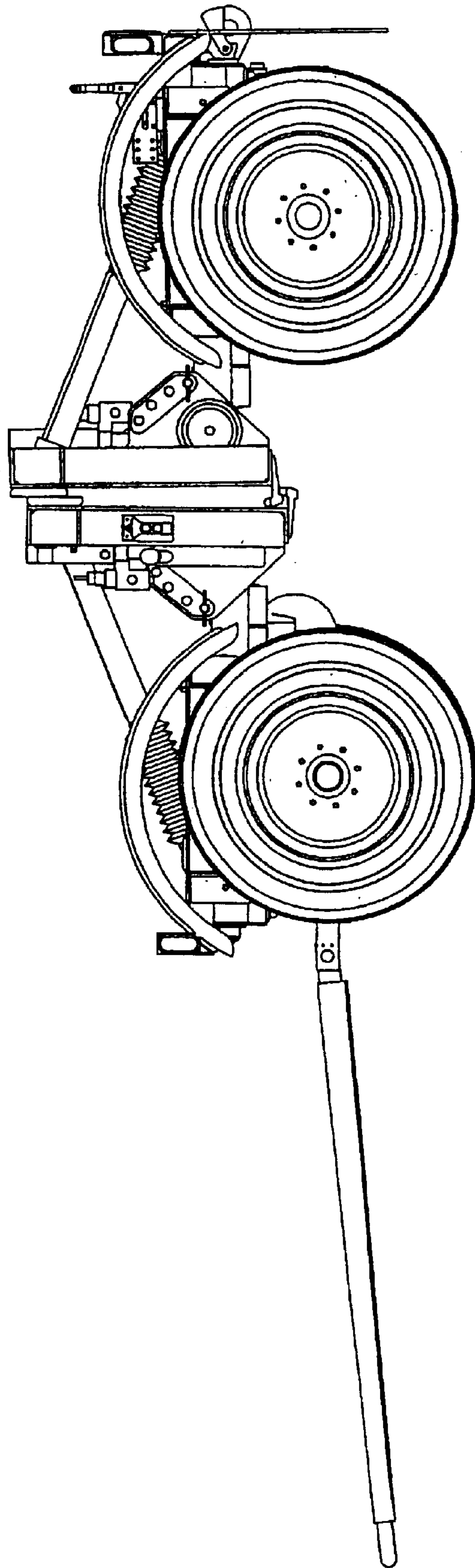


FIG. 10

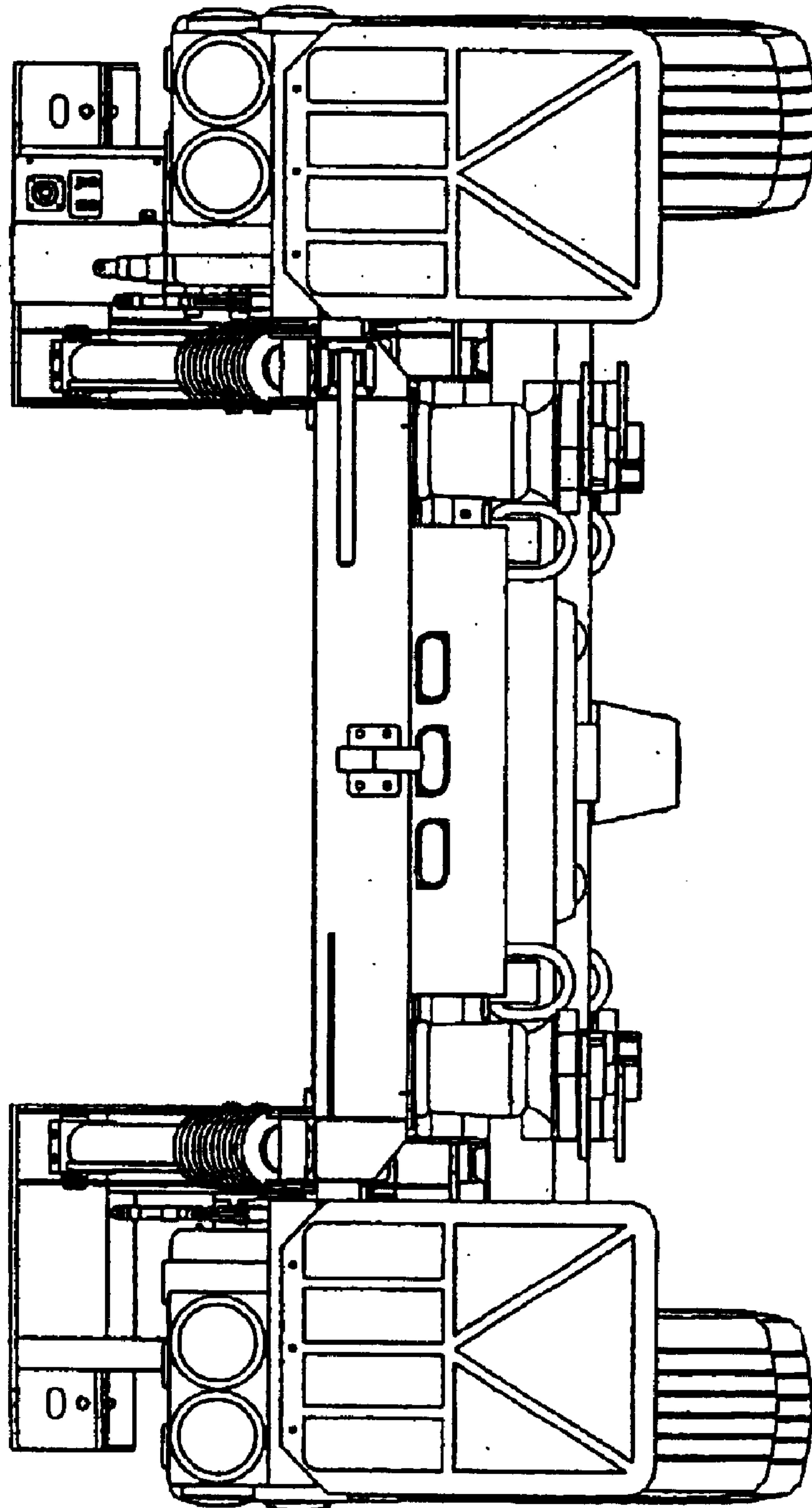


FIG. 11

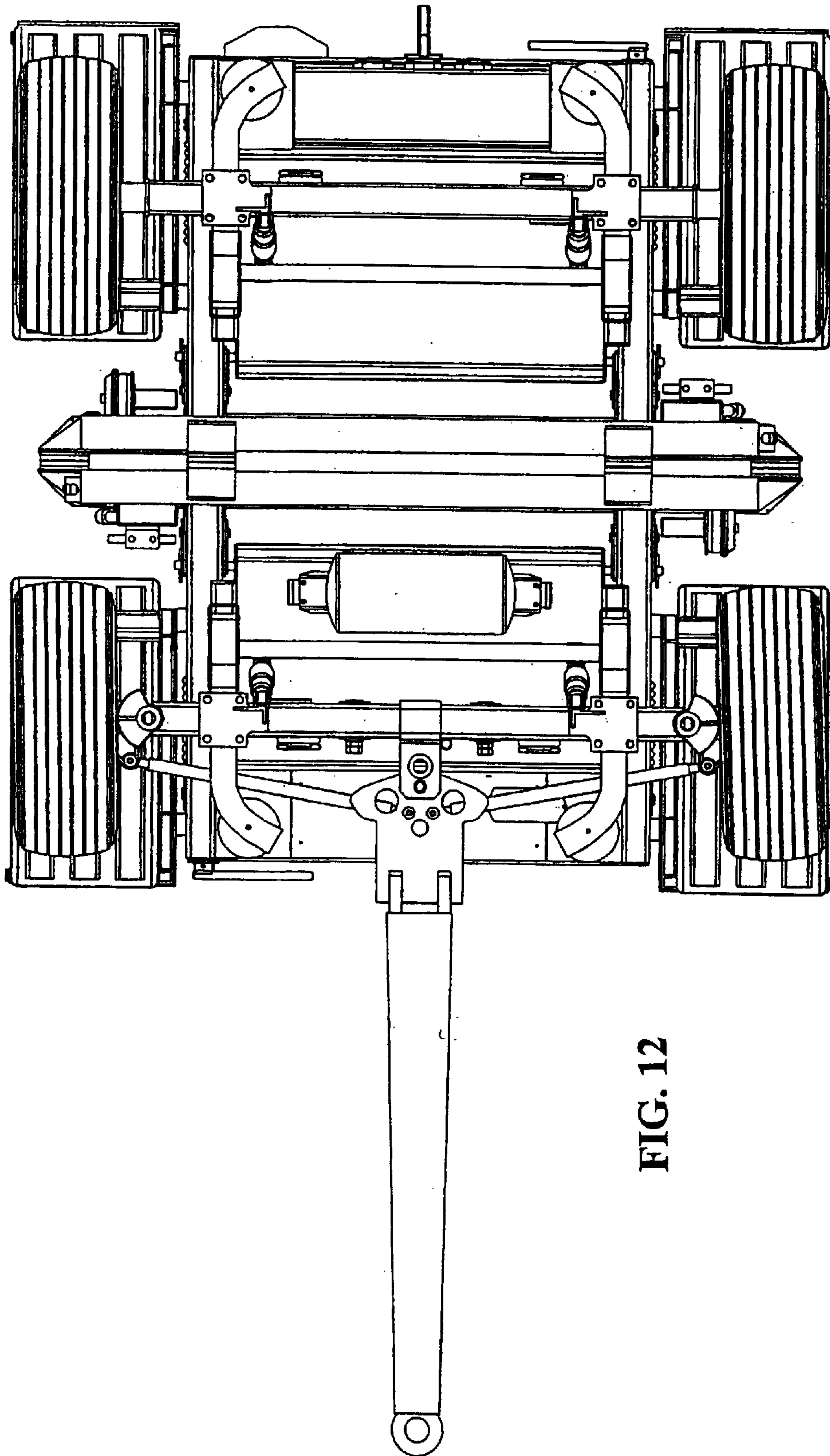


FIG. 12