

US00D535453S

(12) **United States Design Patent** (10) **Patent No.:** **US D535,453 S**
Japuntich et al. (45) **Date of Patent:** **** Jan. 16, 2007**

(54) **PHLEBOTOMY CART**

(75) Inventors: **John Japuntich**, Harvard, IL (US);
Anton M. Smudde, Elk Grove Village,
IL (US); **Mark Brian Finnestad**,
Huntley, IL (US)

(73) Assignee: **Sherwood Services AG**, Schaffhausen
(CH)

(**) Term: **14 Years**

(21) Appl. No.: **29/239,042**

(22) Filed: **Sep. 23, 2005**

(51) **LOC (8) Cl.** **12-02**

(52) **U.S. Cl.** **D34/27**

(58) **Field of Classification Search** D34/12-27;
D24/107, 108, 111; 604/332, 4, 19; 606/32;
600/103, 104

See application file for complete search history.

(56) **References Cited**

U.S. PATENT DOCUMENTS

2,351,597	A	6/1944	Burlin	
2,634,933	A	4/1953	Grimsley	
2,667,320	A	1/1954	Whitley	
3,041,030	A	6/1962	Heimrich	
3,064,931	A	11/1962	Rowe	
3,208,706	A	9/1965	Clark	
D206,844	S *	1/1967	De Vries et al.	D24/111
3,333,721	A	8/1967	Marek	
3,347,507	A	10/1967	Dyer	
D230,211	S *	1/1974	Fuller	D24/167
3,869,979	A	3/1975	Sulcek	

(Continued)

FOREIGN PATENT DOCUMENTS

DE 890623 9/1953

OTHER PUBLICATIONS

(18 page Specification and 3 page Drawing figures) U.S.
Appl. No. 11,234,630, filed Sep. 23, 2005.

(1 page Specification and 6 page Drawing figures) U.S.
Appl. No. 29/238,362, filed Sep. 14, 2005.

(30 page Specification and 27 page Drawing figures) U.S.
Appl. No. 11/085,488, filed Mar. 21, 2005.

SHARPSAFETY Brochure of Tyco Healthcare, dated Dec.
2000.

Primary Examiner—Freda Nunn

Assistant Examiner—Kevin K. Rudzinski

(74) *Attorney, Agent, or Firm*—RatnerPrestia

(57) **CLAIM**

The ornamental design for a phlebotomy cart, as shown and
described.

DESCRIPTION

FIG. 1 is a perspective view from the top and right of a
phlebotomy cart wherein two sharps containers are mounted
thereon;

FIG. 2 is another perspective view from the top and right of
a phlebotomy cart of the assembly illustrated in FIG. 1;

FIG. 3 is a perspective view from the bottom left of the
assembly of FIG. 2;

FIG. 4 is an elevation view from the left side of the assembly
of FIG. 2;

FIG. 5 is an elevation view from the back side of the
assembly of FIG. 2;

FIG. 6 is a top plan view of the assembly of FIG. 2;

FIG. 7 is a bottom plan view of the assembly of FIG. 2;

FIG. 8 is a front elevation view of the assembly of FIG. 2;

FIG. 9 is an elevation view from the right side of the
assembly of FIG. 2;

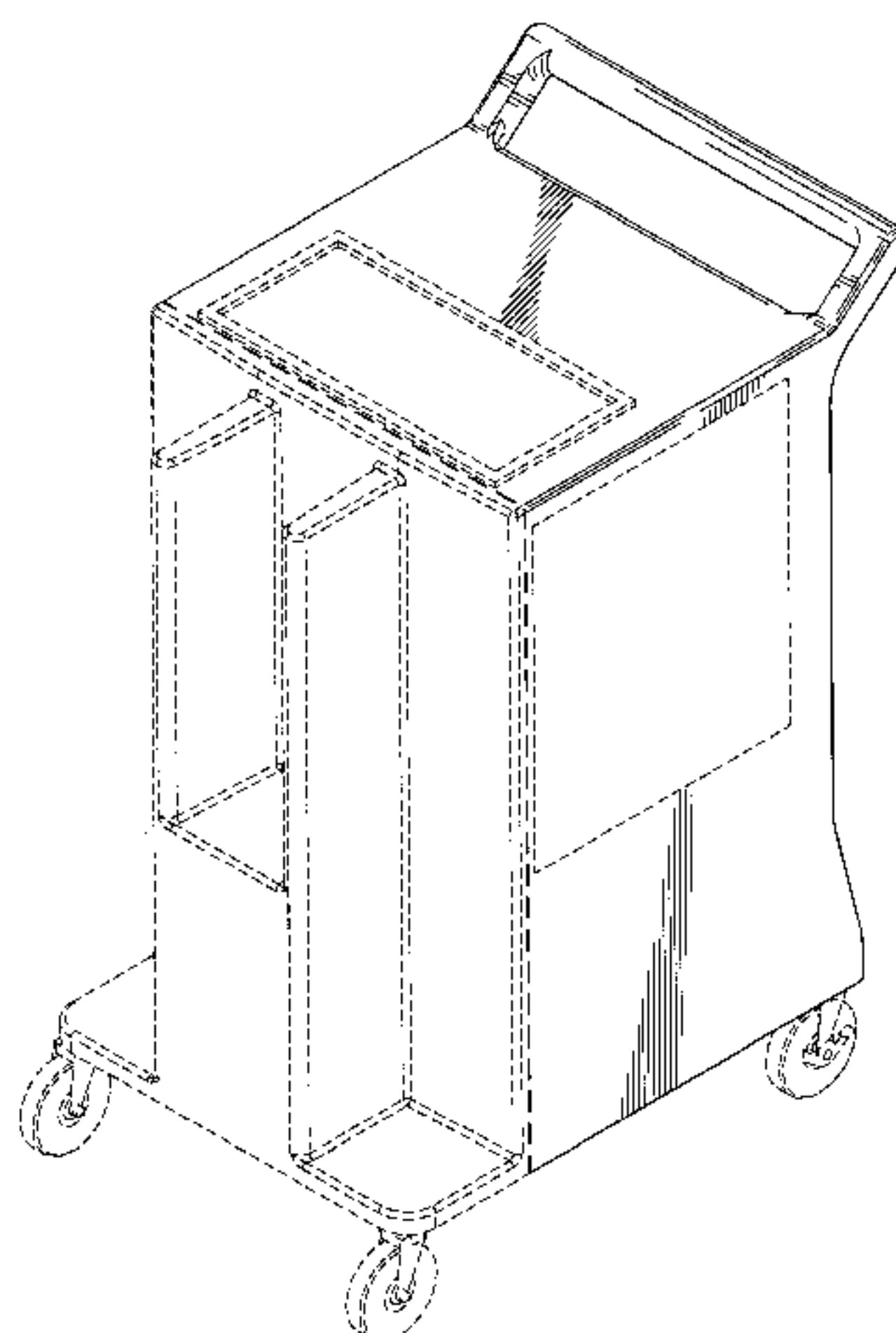
FIG. 10 is another elevation view from the left side of a
phlebotomy cart thereof;

FIG. 11 is a front elevation view of the phlebotomy cart of
FIG. 10;

FIG. 12 is an elevation view from the right side of the
phlebotomy cart of FIG. 10; and,

FIG. 13 is a top plan view of the phlebotomy cart of FIG. 10.
The broken lines are for illustration only and form no part of
the claimed design.

1 Claim, 13 Drawing Sheets



US D535,453 S

Page 2

U.S. PATENT DOCUMENTS

D260,173 S *	8/1981	Wiebe	D24/167	5,570,547 A	11/1996	Webb et al.	
4,338,987 A	7/1982	Miles		5,582,322 A	12/1996	Prout et al.	
4,420,168 A	12/1983	Dewing		5,590,840 A	1/1997	Adams et al.	
4,637,545 A	1/1987	Stewart		D382,058 S *	8/1997	Ellman et al.	D24/185
4,765,548 A	8/1988	Sing		5,659,247 A	8/1997	Clements	
4,883,189 A	11/1989	Lobbert		5,671,859 A	9/1997	Sheu et al.	
4,911,294 A	3/1990	Russo et al.		5,673,811 A	10/1997	Dickenson et al.	
D316,297 S *	4/1991	Neumeister	D24/107	D388,577 S	12/1997	Rehrig et al.	
5,048,712 A	9/1991	Wolters		5,730,451 A	3/1998	Walker	
5,082,132 A	1/1992	Tsai		D393,334 S	4/1998	Presnell et al.	
5,107,990 A	4/1992	Wicherski et al.		5,881,896 A	3/1999	Presnell et al.	
D326,753 S	6/1992	DeBusk		5,899,468 A	5/1999	Apps et al.	
5,143,389 A	9/1992	Jonkers		5,947,285 A	9/1999	Gaba et al.	
5,163,574 A	11/1992	Sosan		6,010,024 A	1/2000	Wang	
D332,852 S	1/1993	Delmerico		6,050,660 A *	4/2000	Gurley	312/249.1
5,195,649 A	3/1993	Wolters		6,053,354 A	4/2000	Niemeyer	
5,230,525 A	7/1993	Delmerico et al.		6,138,558 A	10/2000	Harrington	
5,235,795 A	8/1993	DeBusk		D435,180 S *	12/2000	Richard	D6/445
D341,237 S	11/1993	DeBusk		D438,952 S *	3/2001	Cimino et al.	D24/107
5,348,222 A	9/1994	Patey		6,202,922 B1	3/2001	Phillips et al.	
5,354,023 A	10/1994	Meeks		D441,513 S *	5/2001	Mullen et al.	D34/19
D352,350 S	11/1994	Rambo et al.		D445,228 S	7/2001	Apps et al.	
5,372,271 A	12/1994	Miller et al.		D478,701 S	8/2003	Panek, Jr.	
D358,240 S	5/1995	Mosior		6,623,316 B1	9/2003	Wu	
5,415,315 A	5/1995	Ramirez		6,626,316 B1	9/2003	Yang	
5,419,435 A	5/1995	Perzan et al.		6,626,321 B1	9/2003	Jaeger	
5,445,397 A	8/1995	Evans		6,651,992 B1	11/2003	Smith, Sr.	
5,474,201 A	12/1995	Liu		6,722,672 B1	4/2004	Cates et al.	
5,531,346 A	7/1996	Mosior		2002/0158068 A1	10/2002	Panek, Jr.	
5,531,348 A	7/1996	Baker et al.		2004/0020927 A1	2/2004	Yang et al.	
5,538,158 A	7/1996	Prout et al.					

* cited by examiner

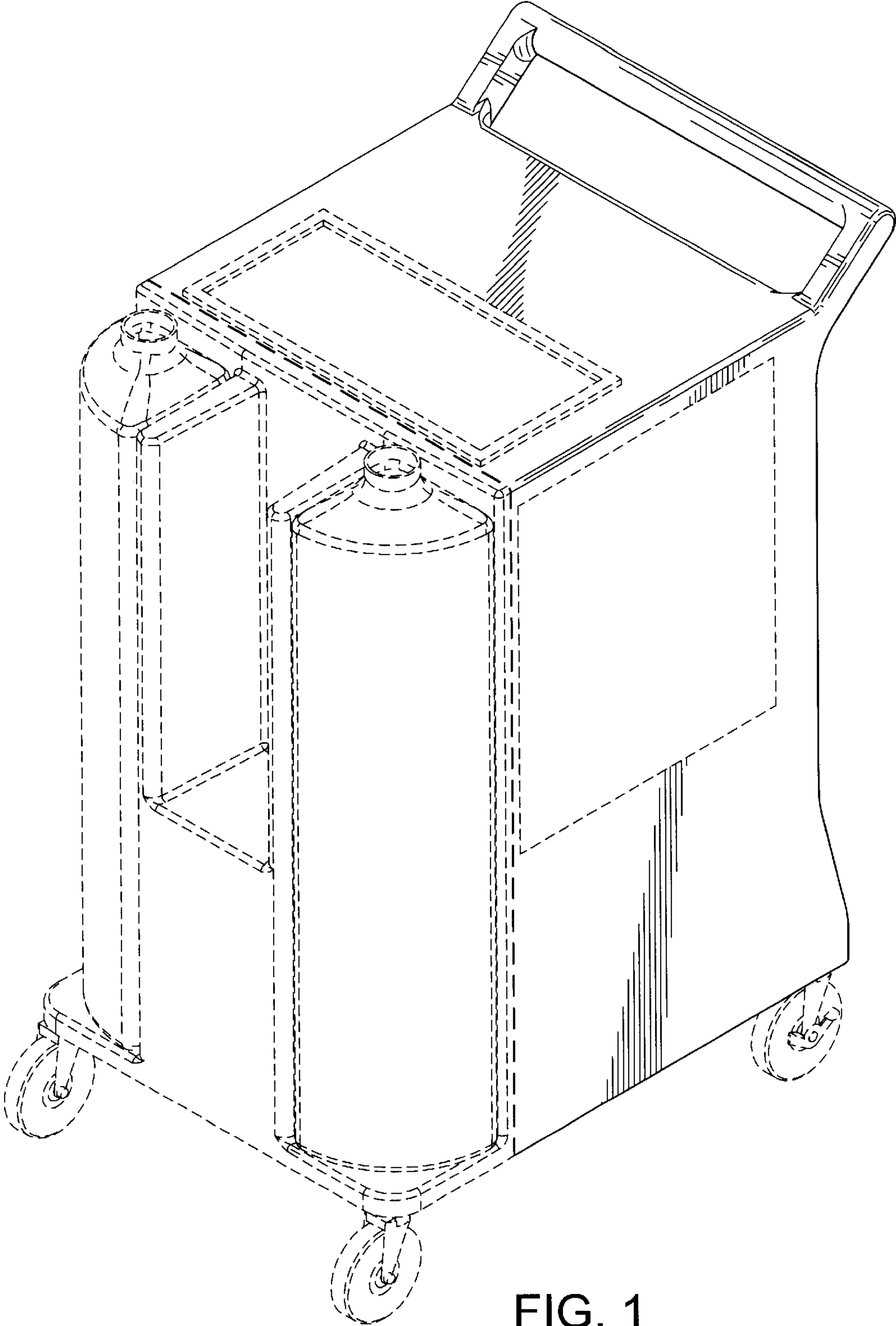


FIG. 1

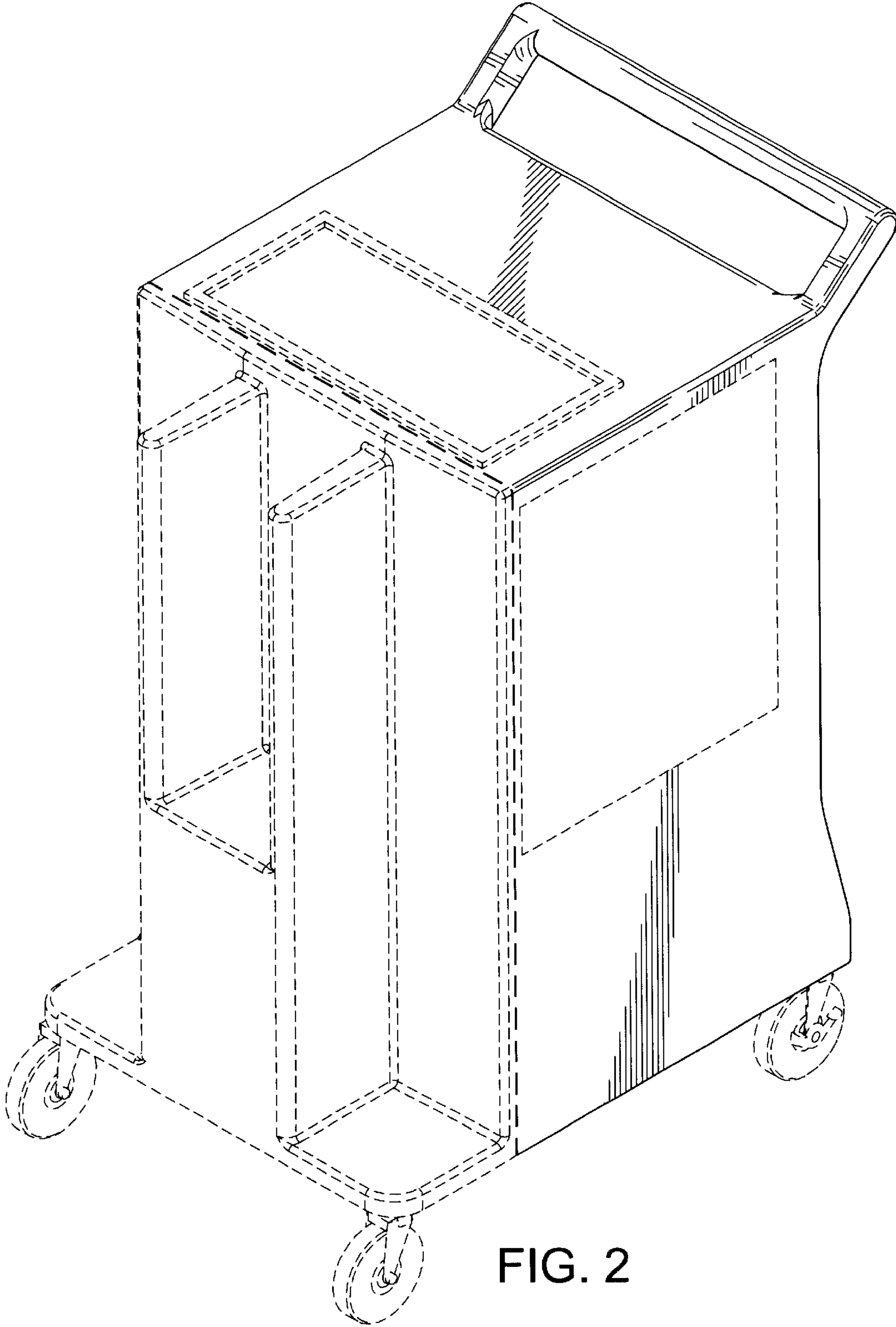


FIG. 2

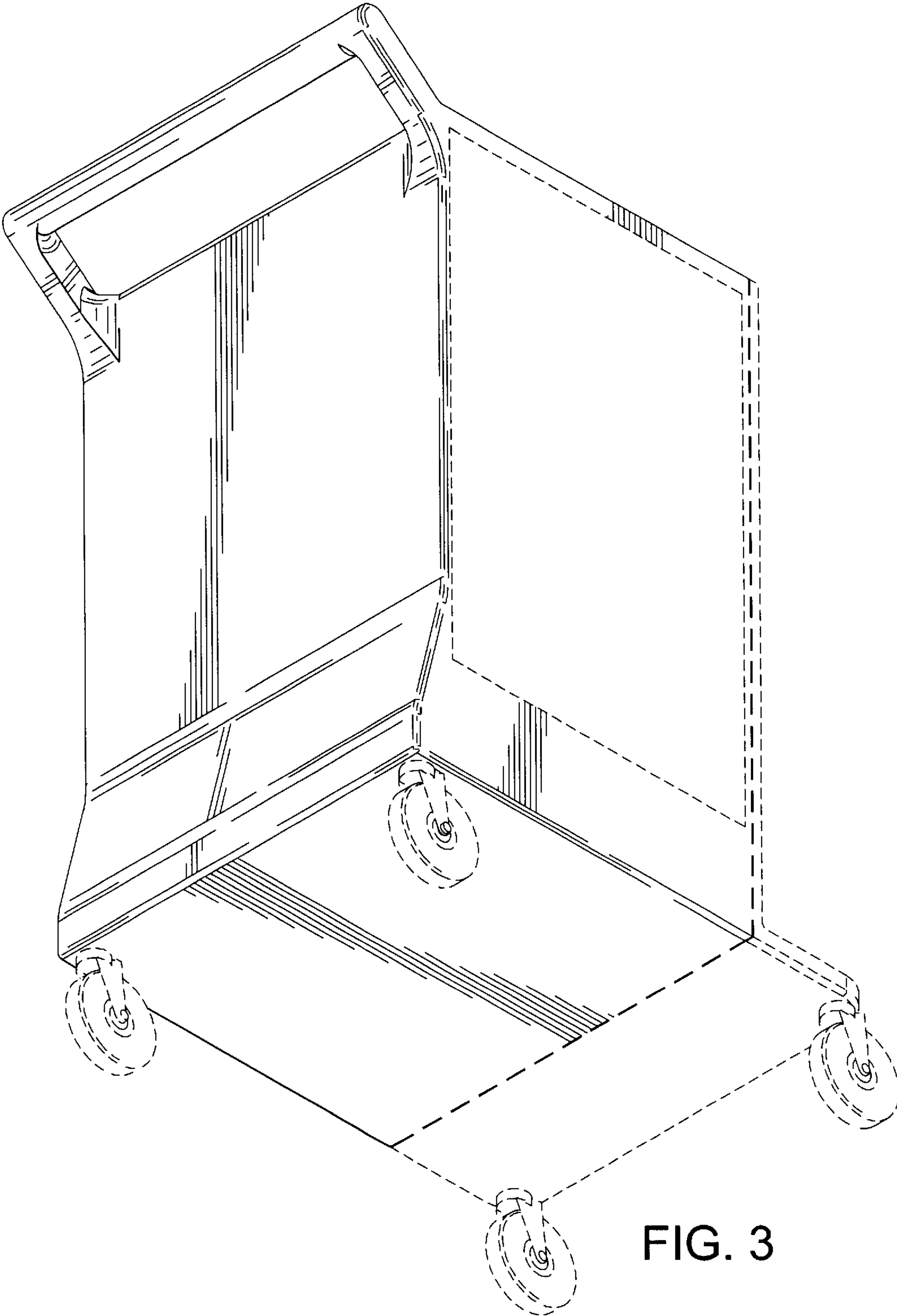


FIG. 3

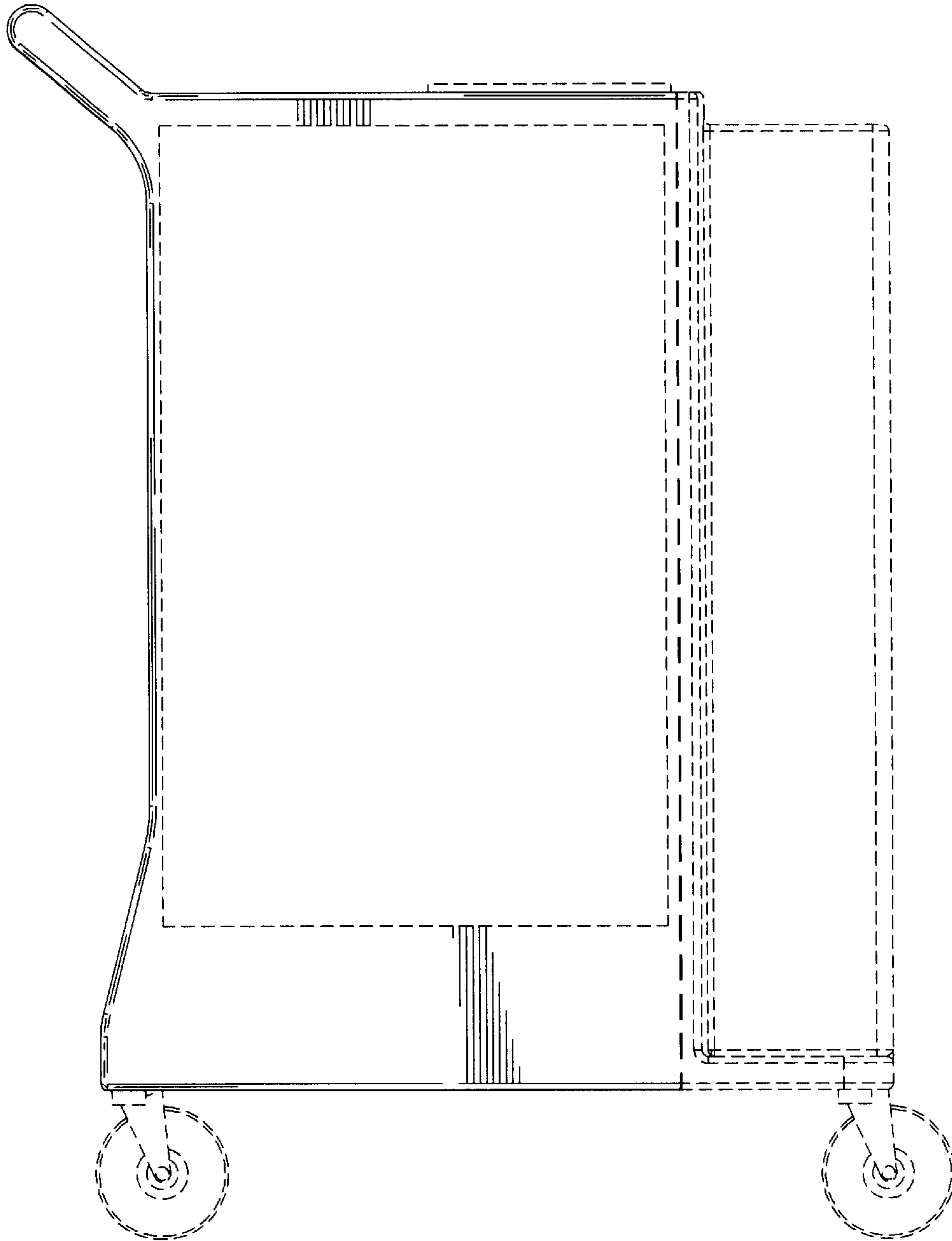


FIG. 4

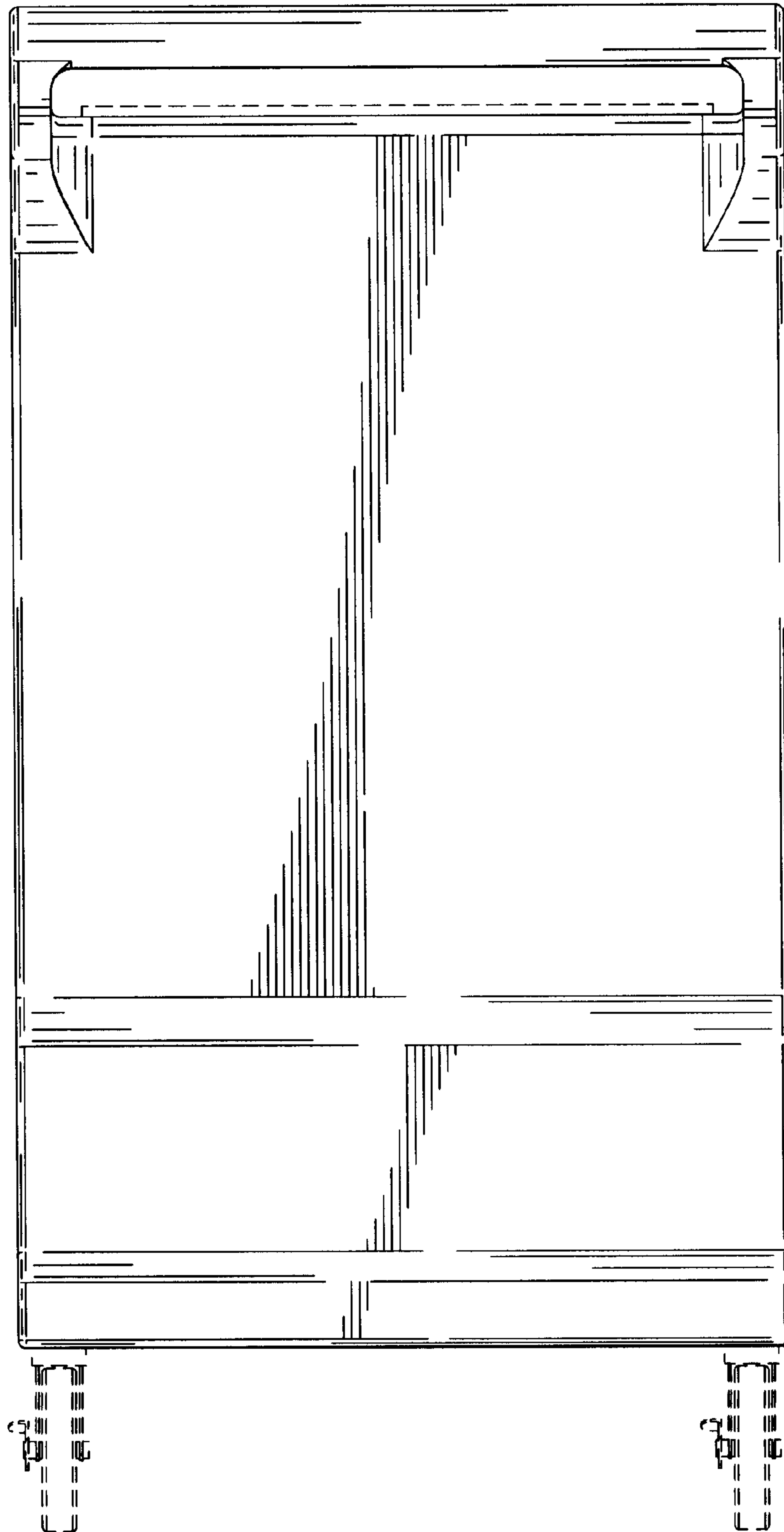


FIG.5

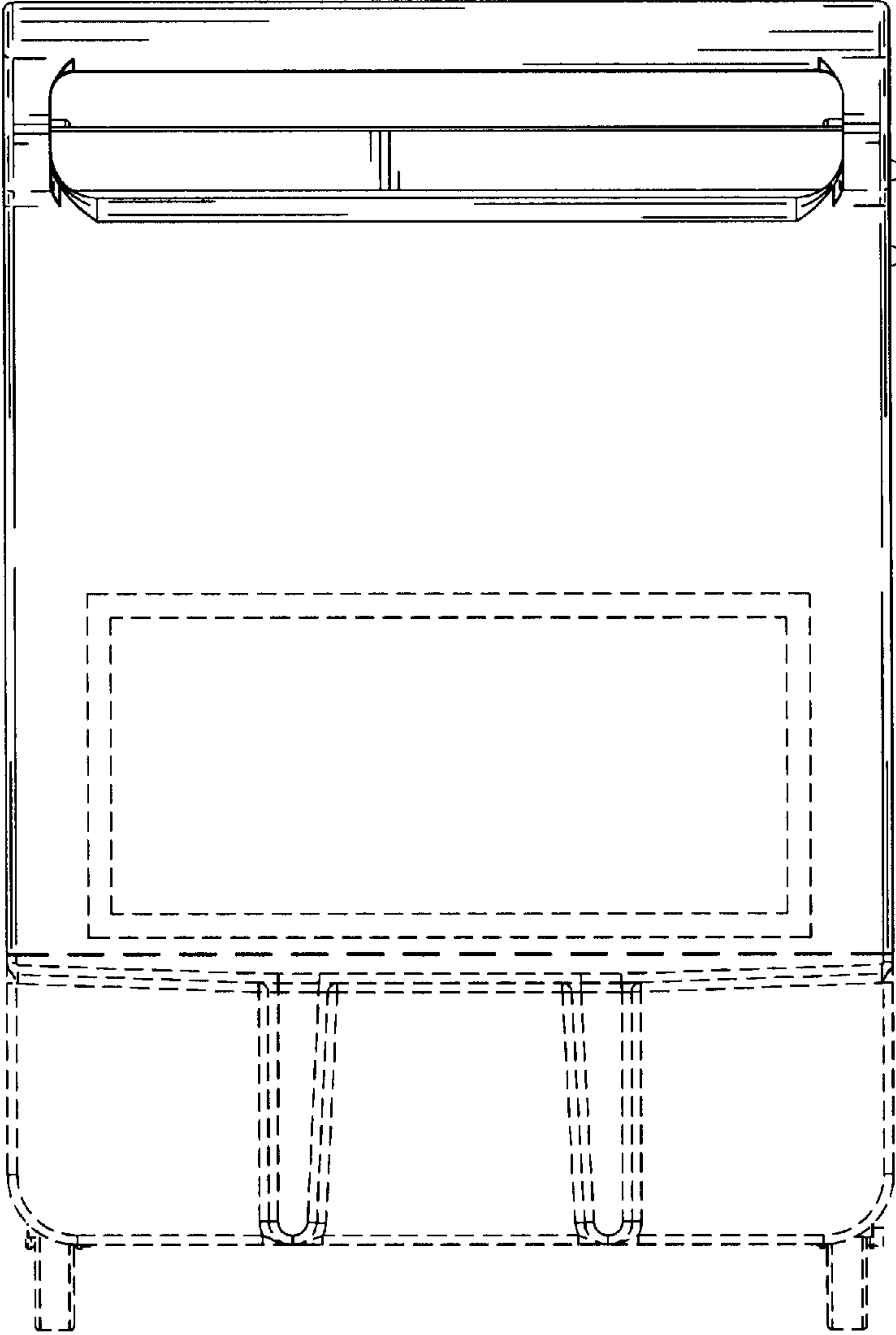


FIG. 6

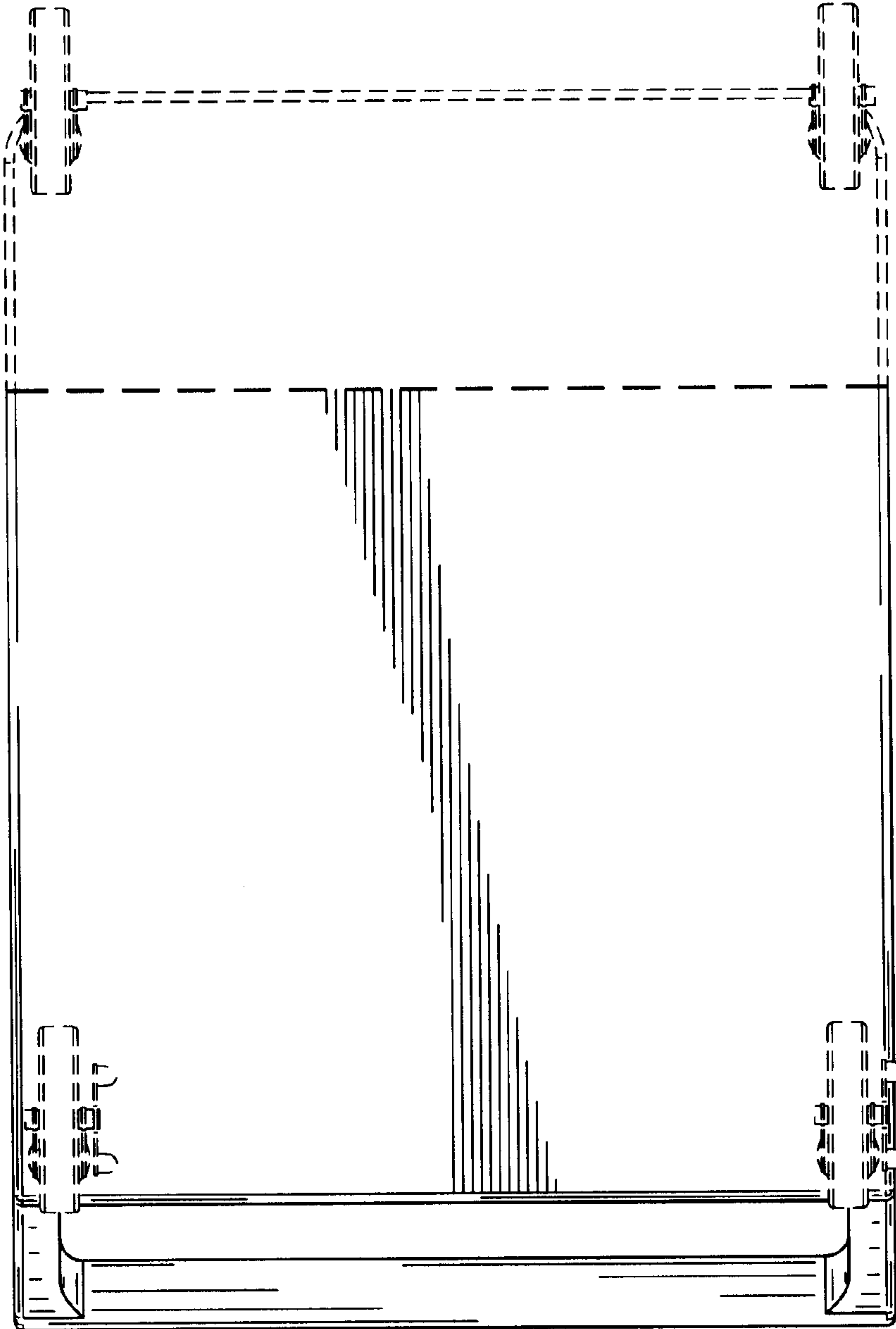


FIG. 7

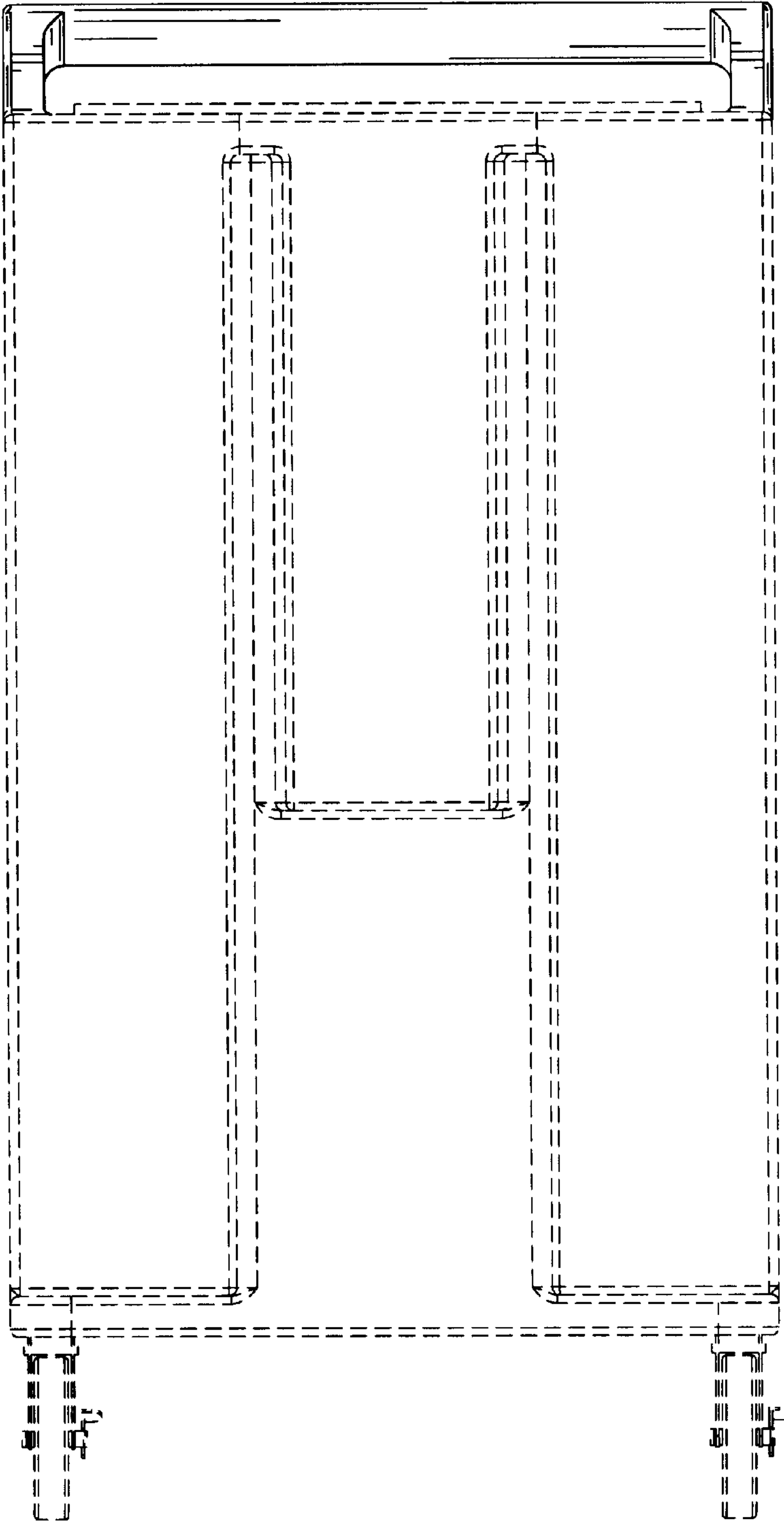


FIG. 8

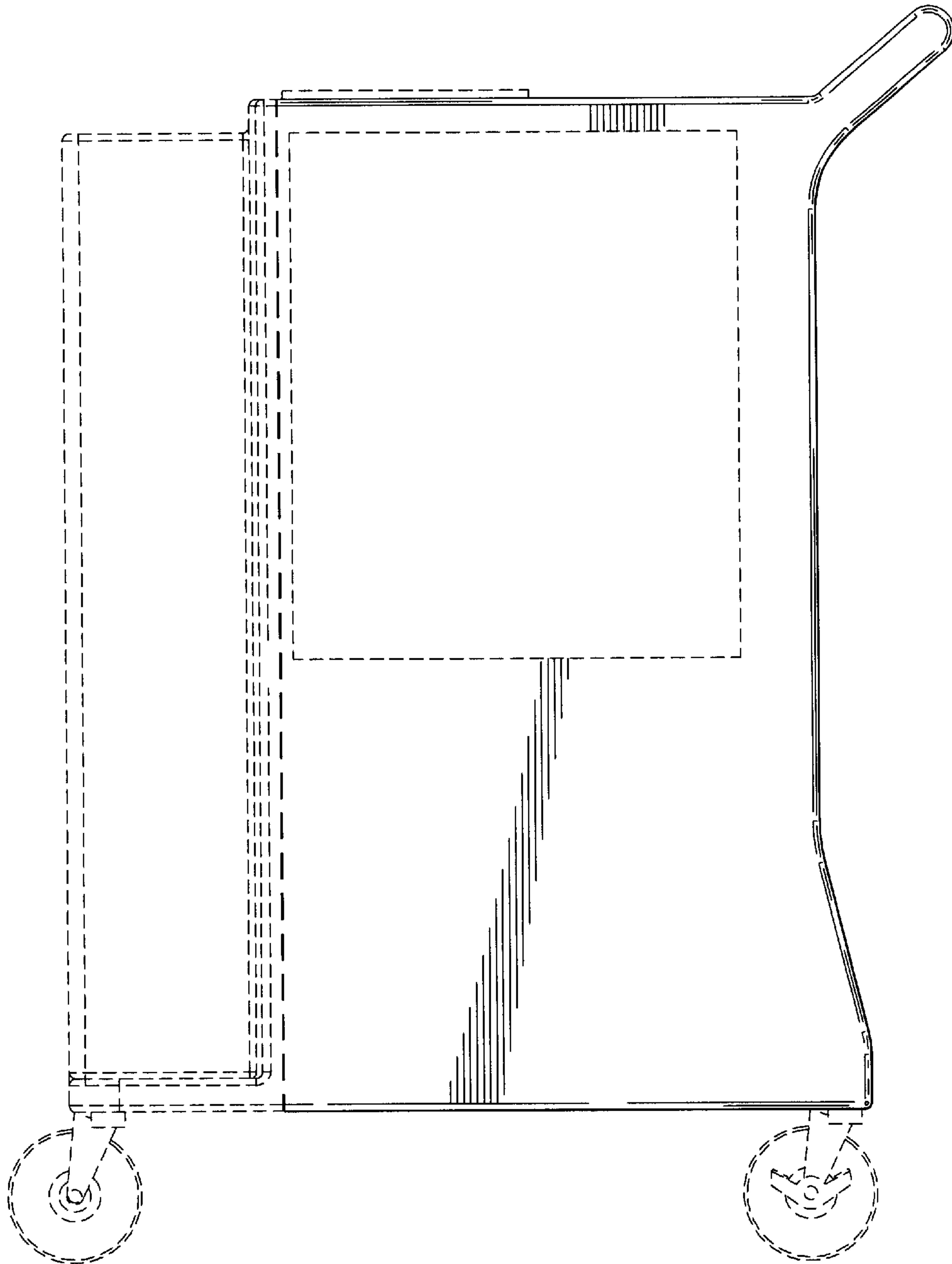


FIG. 9

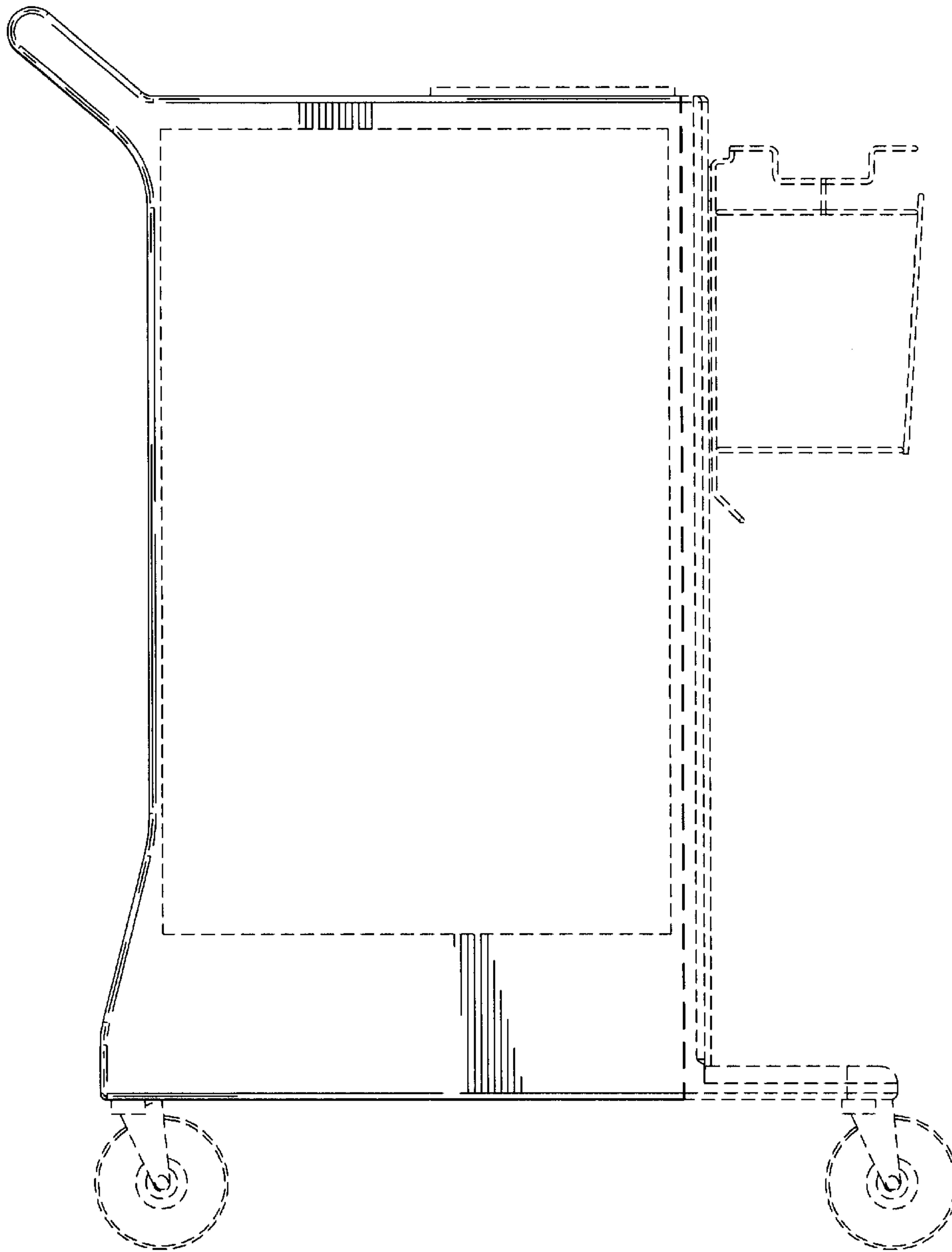


FIG. 10

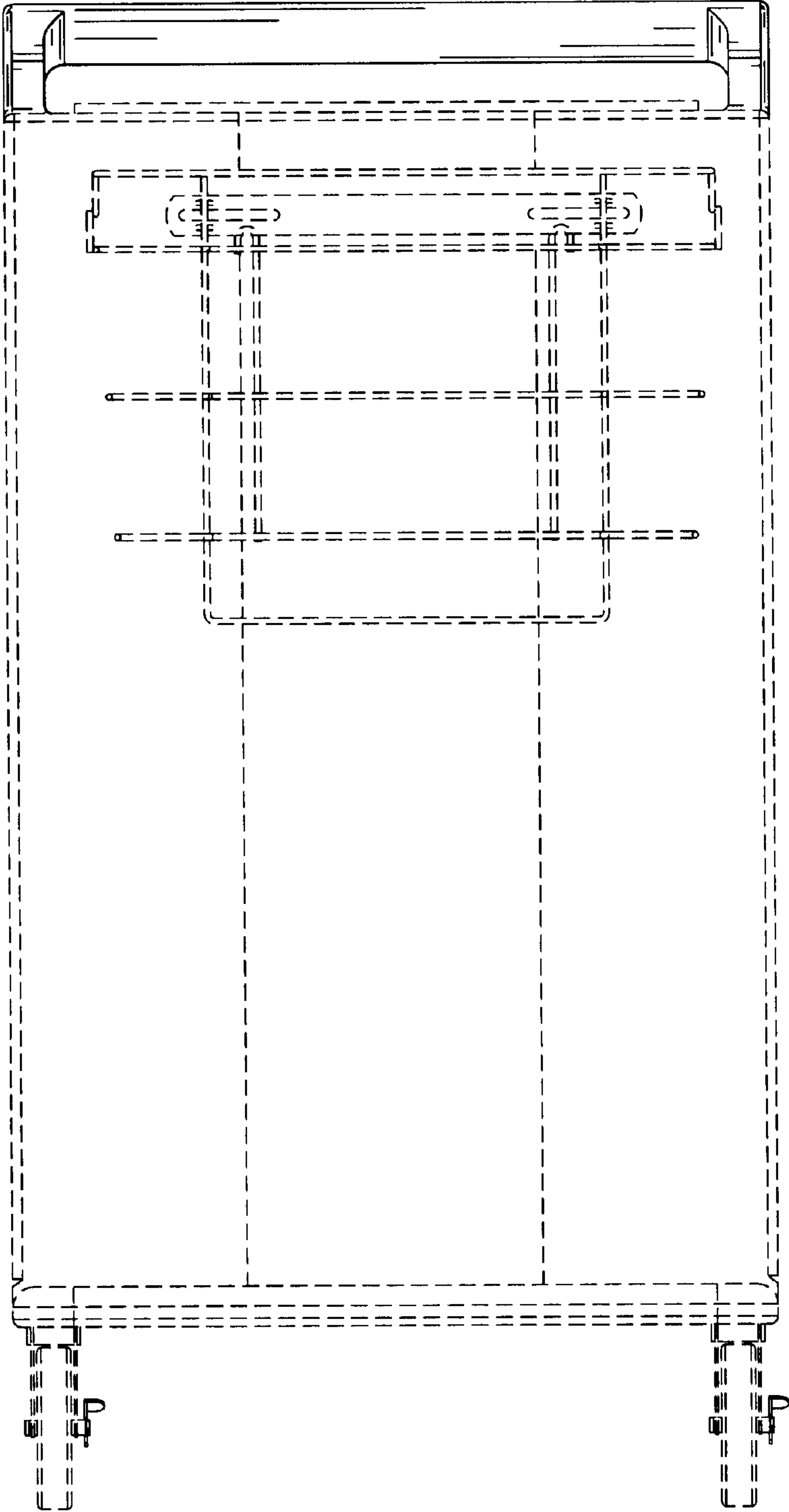


FIG. 11

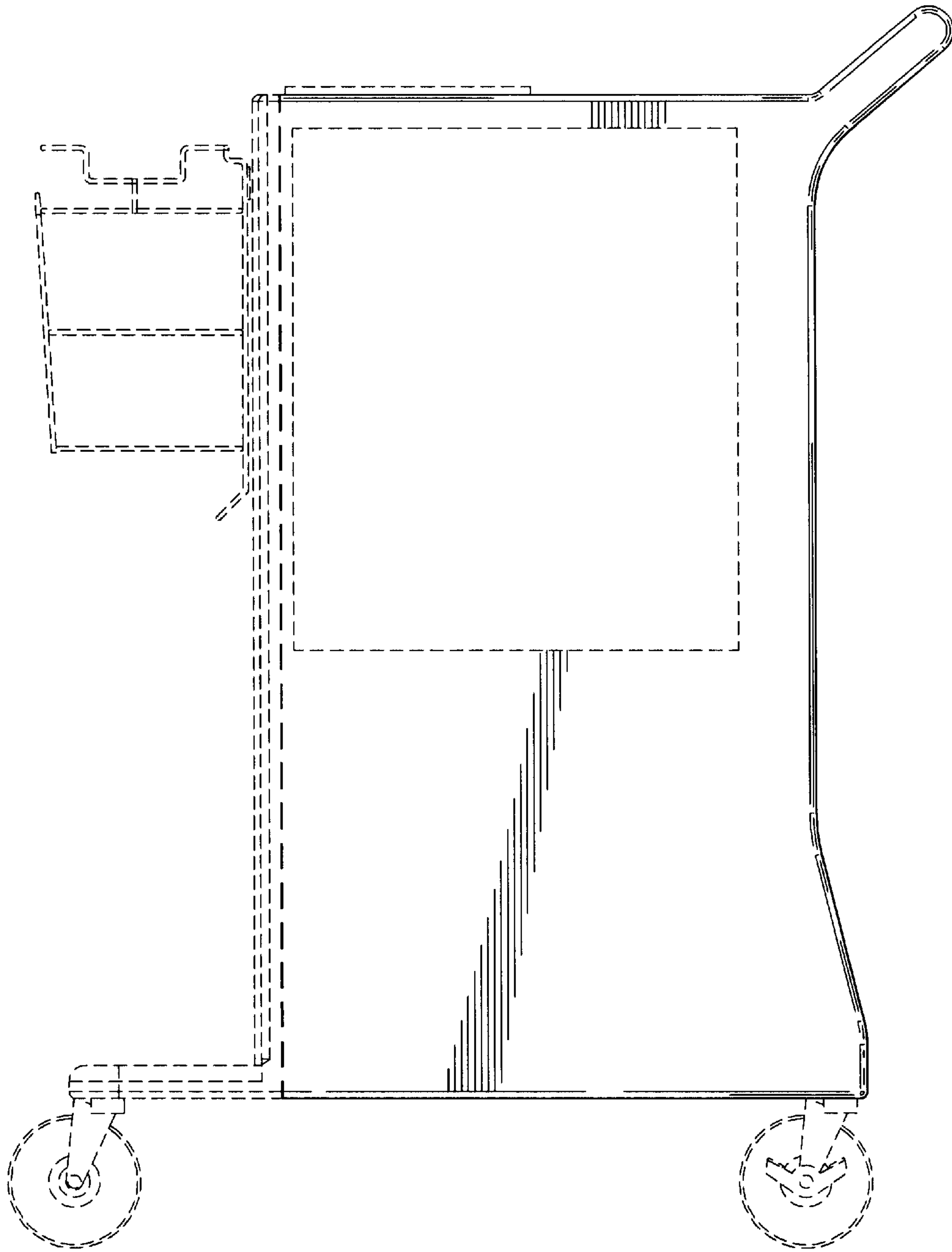


FIG. 12

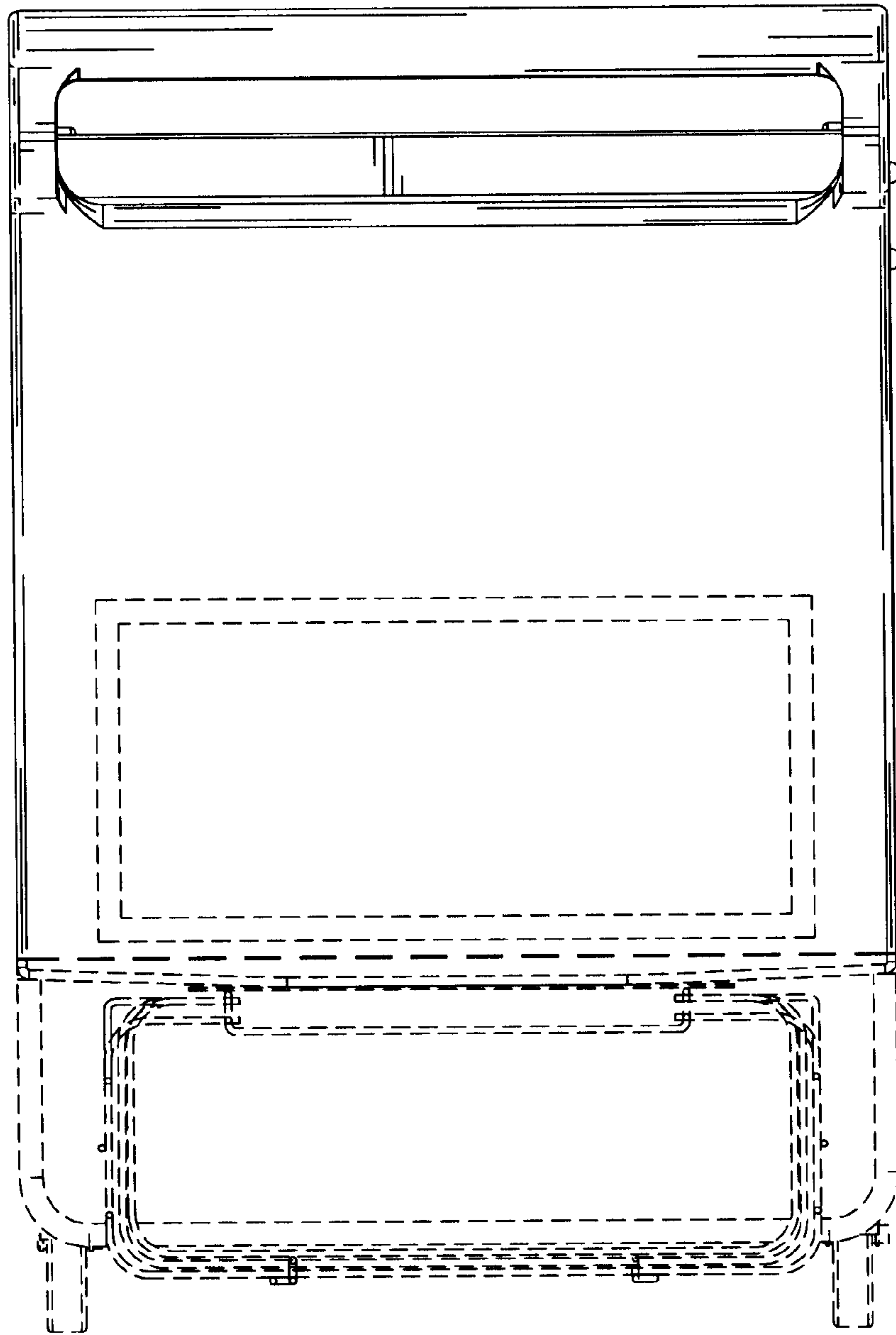


FIG. 13