



US00D535452S

(12) **United States Design Patent**
Lim et al.

(10) **Patent No.:** **US D535,452 S**

(45) **Date of Patent:** **** Jan. 16, 2007**

- (54) **ROLLING CABINET**
- (75) Inventors: **Gary M. Lim**, Palos Verdes Peninsula, CA (US); **James Sokol**, Brea, CA (US)
- (73) Assignee: **Senlle Classics Inc.**, Los Angeles, CA (US)
- (**) Term: **14 Years**

6,050,660 A *	4/2000	Gurley	312/249.1
D456,572 S	4/2002	Resuello et al.	
D468,585 S	1/2003	Resuello et al.	
D481,741 S	11/2003	Yuen	
D495,912 S	9/2004	Schmidt et al.	
D503,839 S	4/2005	Schmidt et al.	
D504,258 S	4/2005	Grossman et al.	
2003/0141687 A1 *	7/2003	Wixted et al.	280/47.35
2005/0077805 A1 *	4/2005	Dalebout et al.	312/249.11
2005/0212239 A1 *	9/2005	Carter	280/47.35

(21) Appl. No.: **29/252,733**

(22) Filed: **Jan. 25, 2006**

(51) **LOC (8) Cl.** **12-02**

(52) **U.S. Cl.** **D34/19**

(58) **Field of Classification Search** D34/12-27;
280/47.35, 47.19, 79.2, 79.11; 312/223.3,
312/249.1, 249.11

See application file for complete search history.

* cited by examiner

Primary Examiner—Freda S. Nunn

Assistant Examiner—Kevin K. Rudzinski

(74) *Attorney, Agent, or Firm*—Raymond Sun

(57) **CLAIM**

The ornamental design for a rolling cabinet, as shown and described.

DESCRIPTION

FIG. 1 is a perspective view of a rolling cabinet showing my new design.

FIG. 2 is a front elevation view of the rolling cabinet of FIG. 1.

FIG. 3 is a top plan view of the rolling cabinet of FIG. 1.

FIG. 4 is a left elevation view of the rolling cabinet of FIG. 1; and,

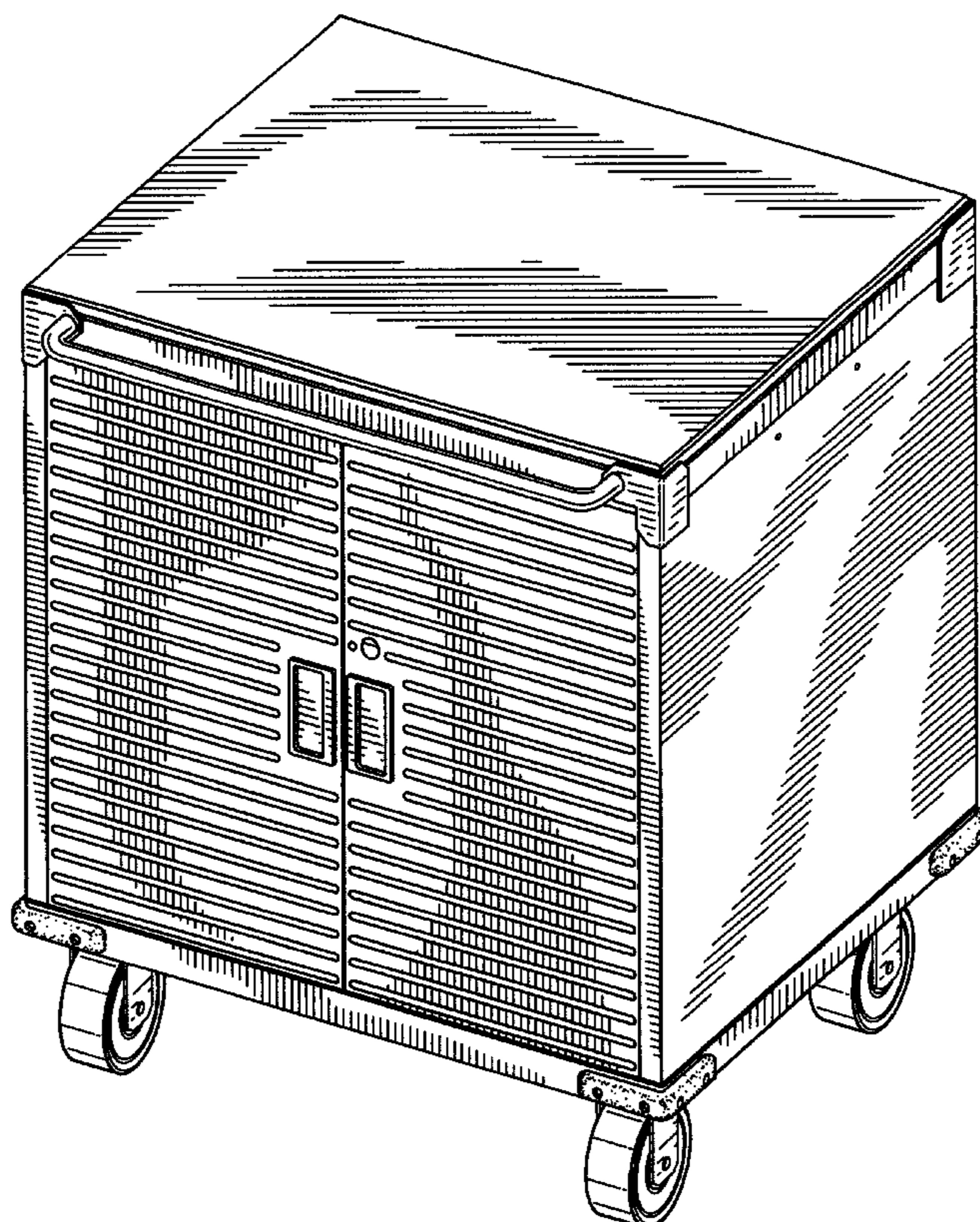
FIG. 5 is a right elevation view of the rolling cabinet of FIG. 1.

(56) **References Cited**

U.S. PATENT DOCUMENTS

2,893,749 A *	7/1959	Simonsen	312/249.11
D320,606 S	10/1991	Fritsch	
D321,802 S	11/1991	Smith	
5,203,618 A *	4/1993	Oshall	312/290
D350,140 S	8/1994	Van Le et al.	
5,482,162 A *	1/1996	Dickinson	206/373
D368,916 S	4/1996	Pawlowski et al.	
5,611,553 A *	3/1997	Schoeman et al.	280/47.35
D380,505 S	7/1997	Yang	
D404,945 S	2/1999	Simpkins et al.	

1 Claim, 5 Drawing Sheets



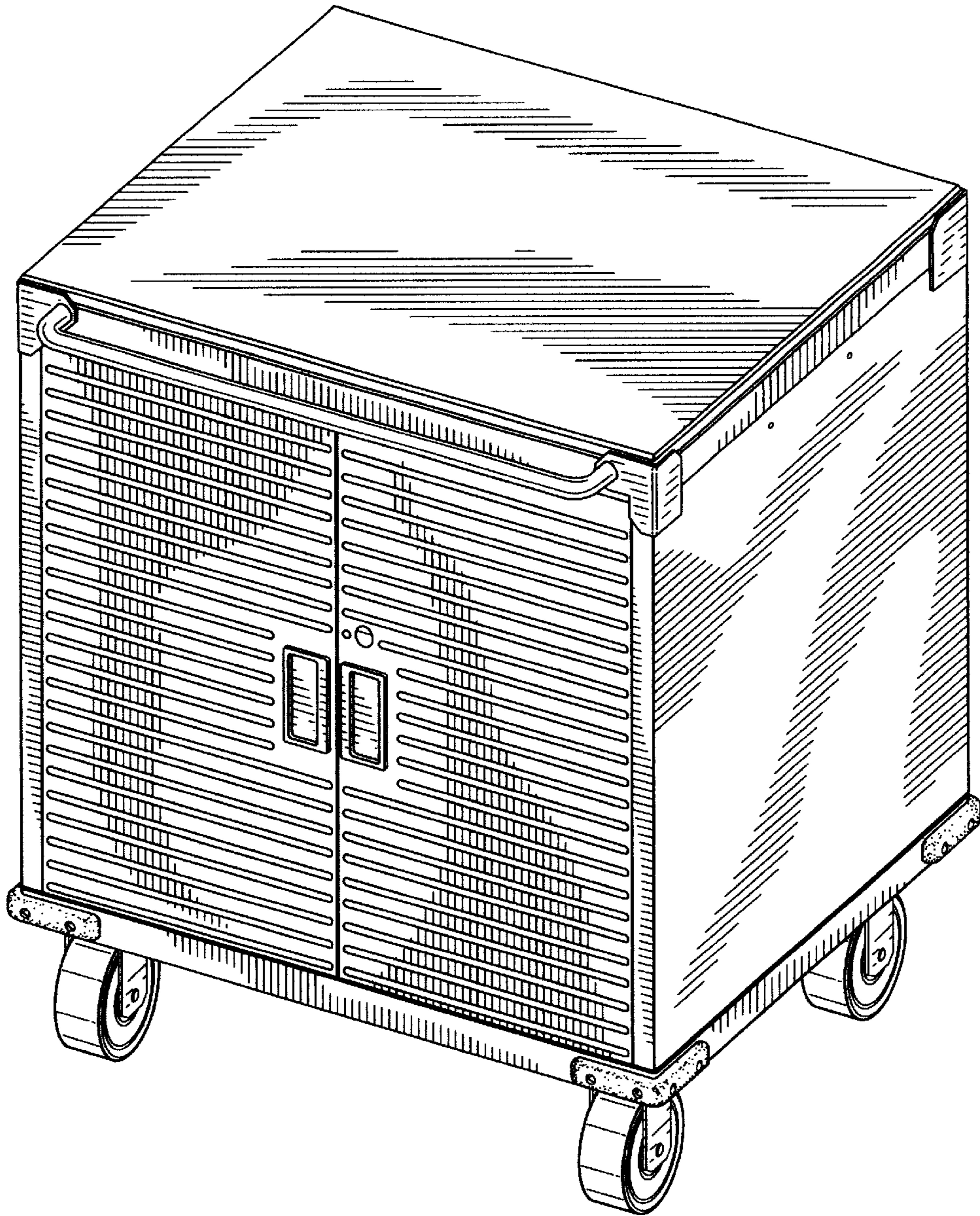


FIG. 1

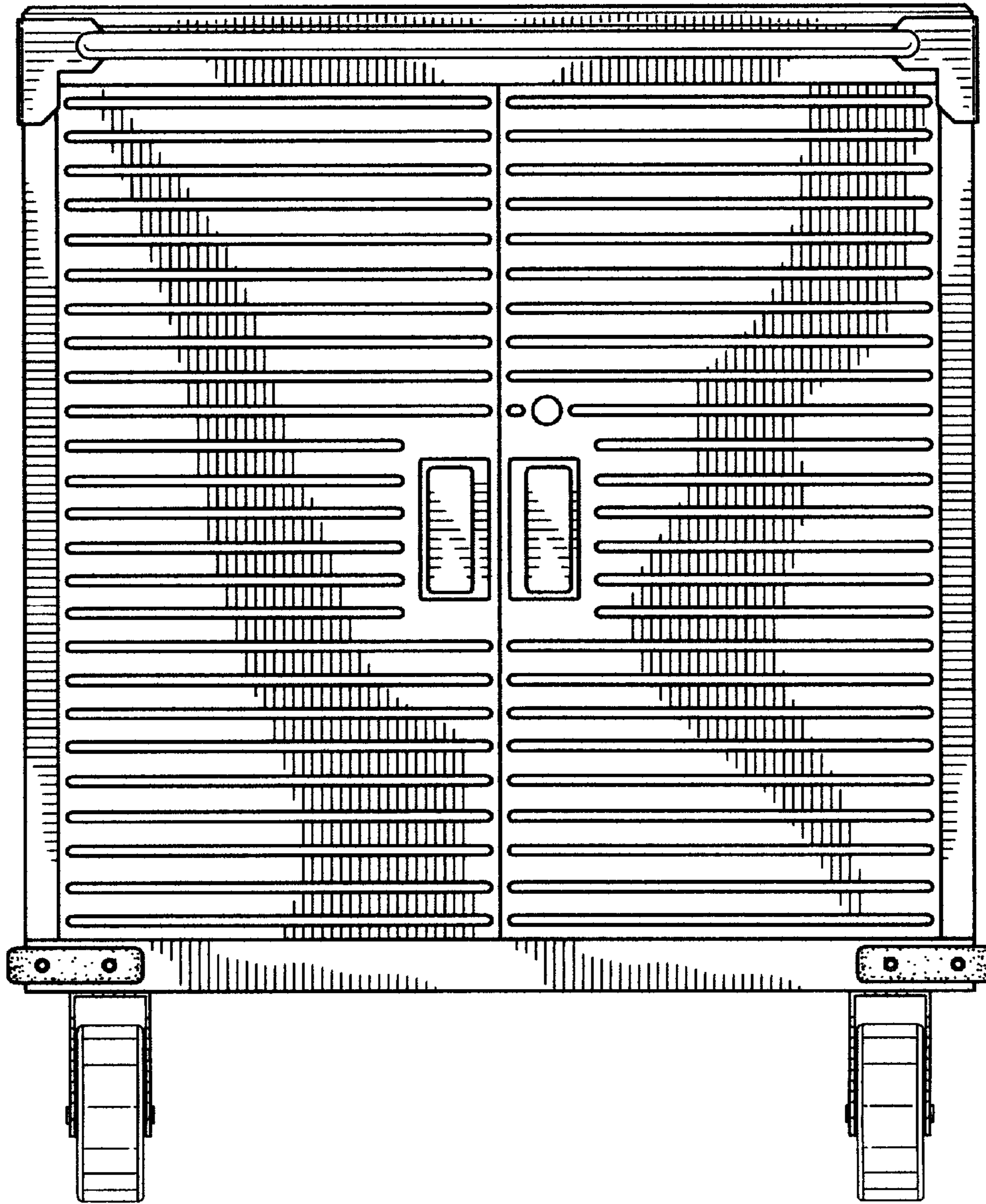


FIG.2

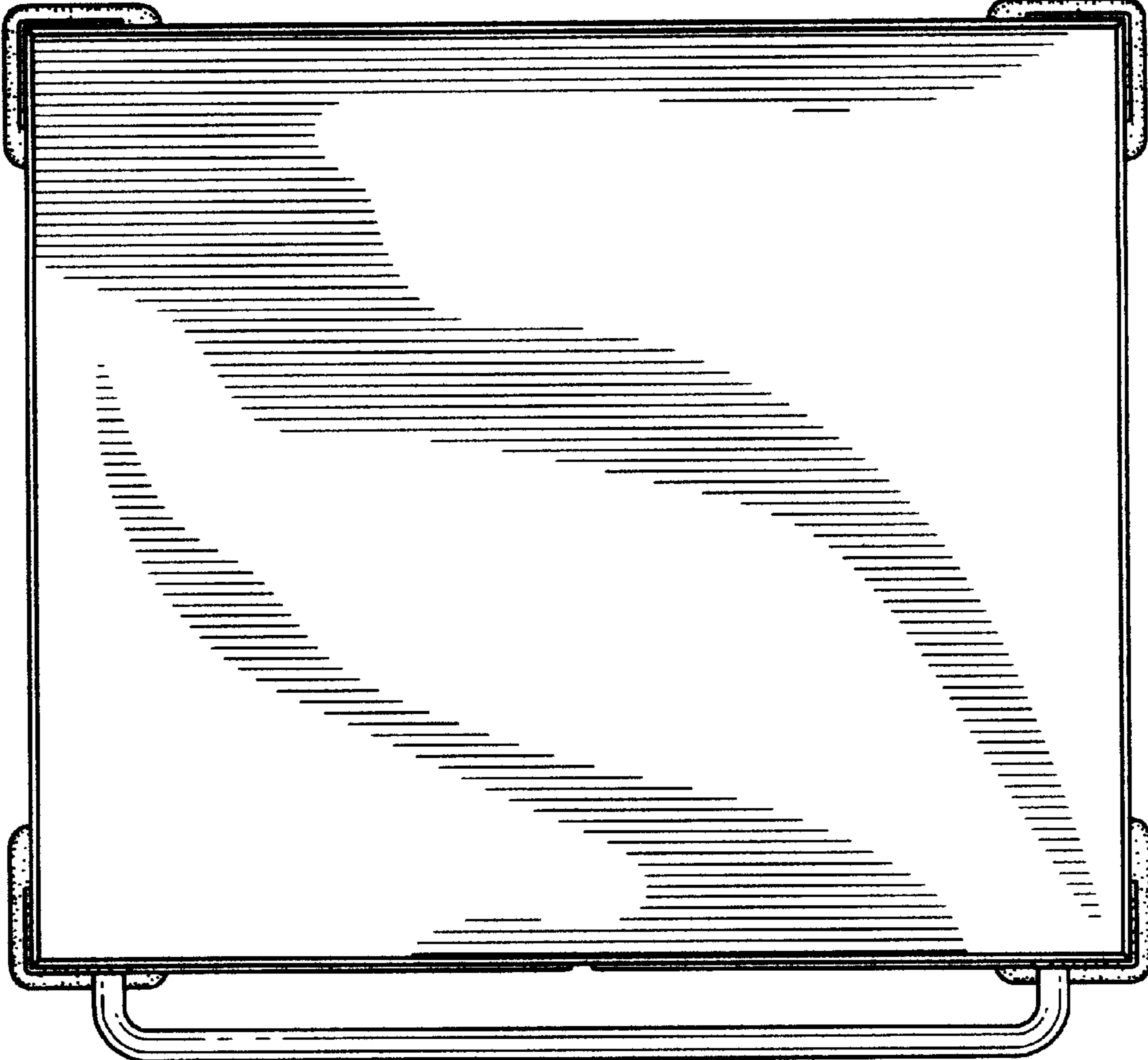


FIG.3

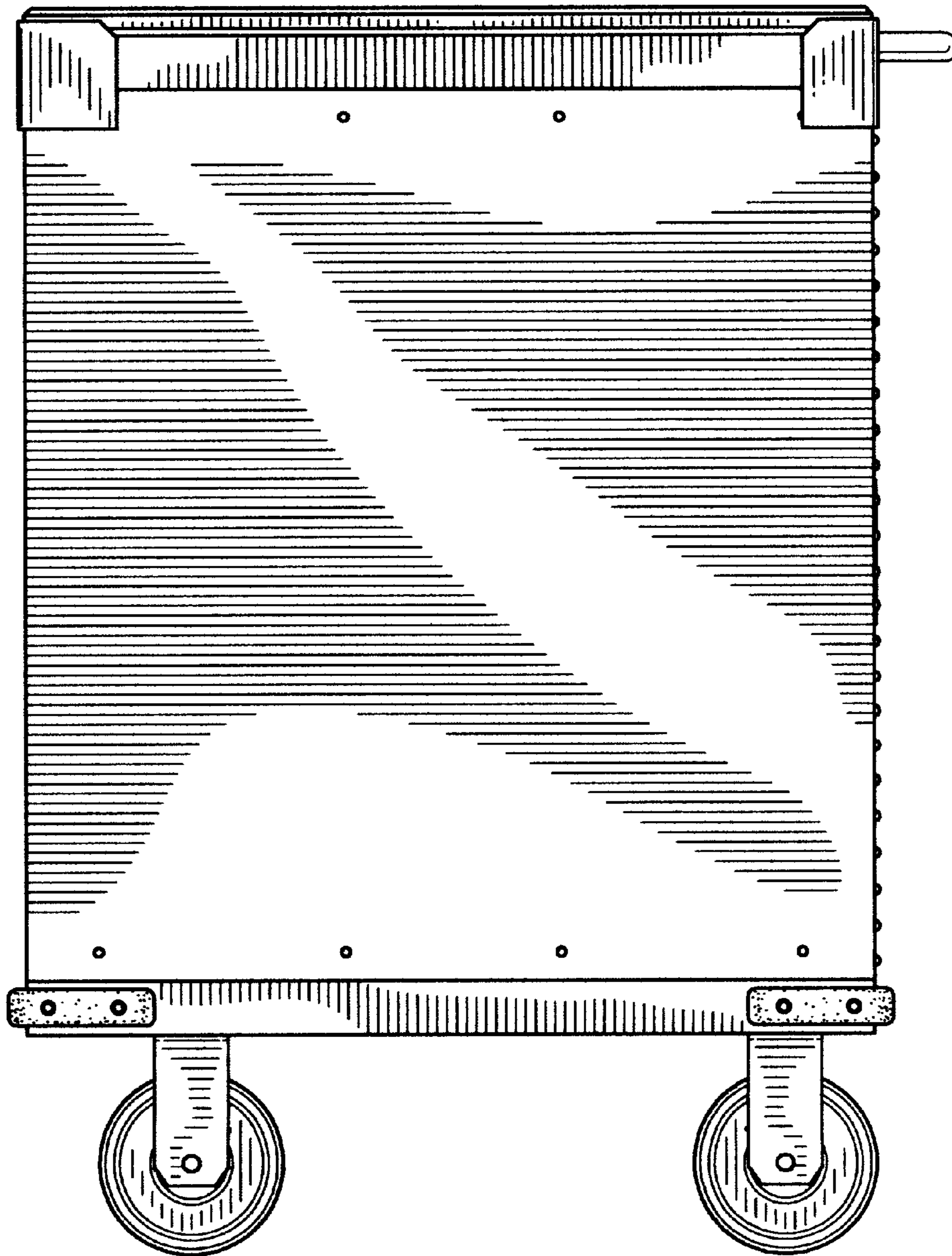


FIG.4

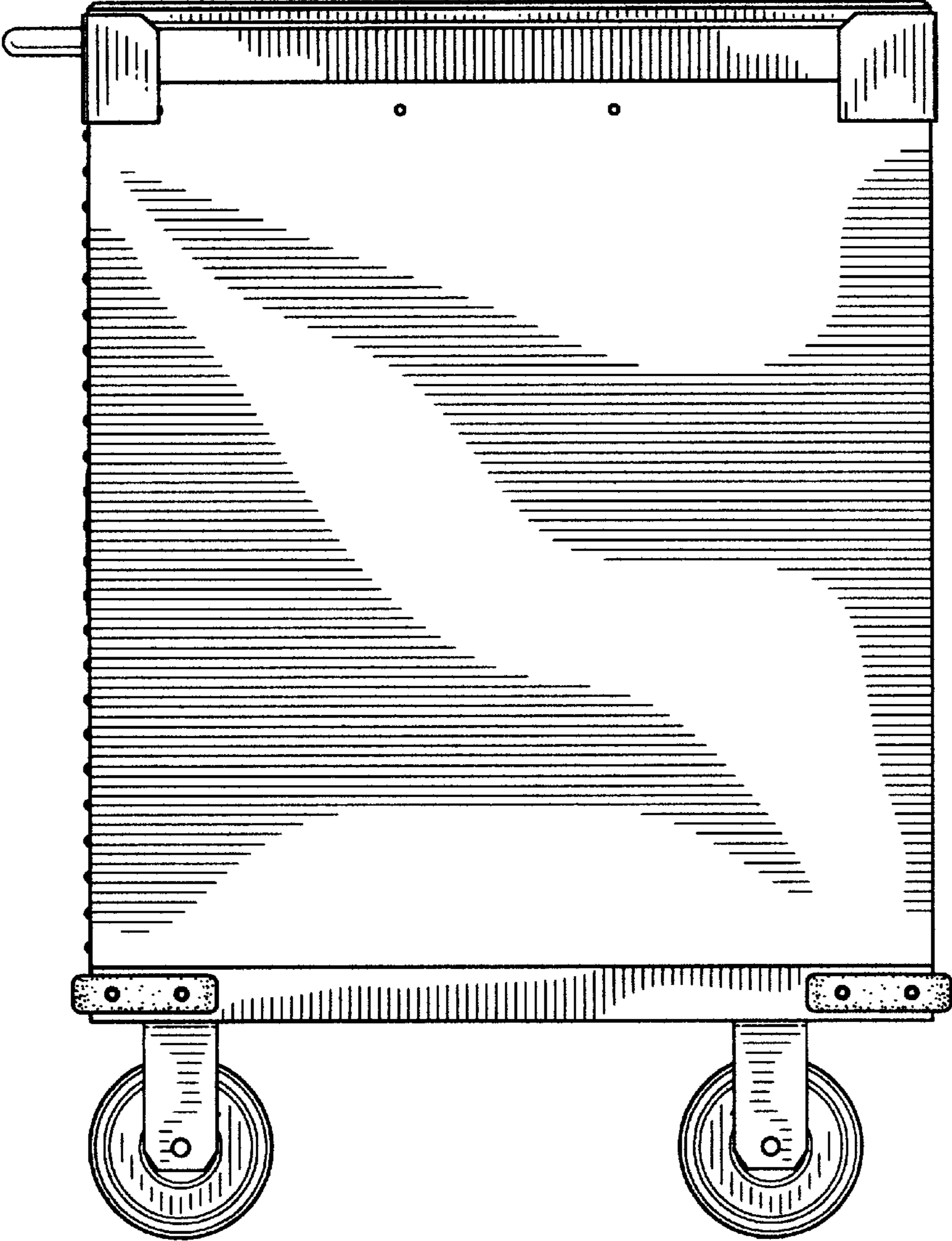


FIG.5

UNITED STATES PATENT AND TRADEMARK OFFICE
CERTIFICATE OF CORRECTION

PATENT NO. : Des. 535,452 S
APPLICATION NO. : 29/252733
DATED : January 16, 2007
INVENTOR(S) : Gary M. Lim and James Sokol

Page 1 of 1

It is certified that error appears in the above-identified patent and that said Letters Patent is hereby corrected as shown below:

(73) Assignee: should read: Seville Classics Inc., Los Angeles, CA

Signed and Sealed this

Twenty-ninth Day of May, 2007

A handwritten signature in black ink on a light gray dotted background. The signature reads "Jon W. Dudas" in a cursive style.

JON W. DUDAS

Director of the United States Patent and Trademark Office