



US00D535446S

(12) **United States Design Patent**
Kwon et al.

(10) **Patent No.:** **US D535,446 S**

(45) **Date of Patent:** **** Jan. 16, 2007**

(54) **DRUM WASHING MACHINE**

(75) Inventors: **Soon Uk Kwon**, Seoul (KR); **Young Il Kim**, Incheon (KR); **Ho Il Jeon**, Yongin-si (KR)

(73) Assignee: **LG Electronics, Inc.**, Seoul (KR)

(**) Term: **14 Years**

(21) Appl. No.: **29/240,967**

(22) Filed: **Oct. 21, 2005**

(30) **Foreign Application Priority Data**

Apr. 21, 2005 (KR) 30-2005-0013400

(51) **LOC (8) Cl.** **15-05**

(52) **U.S. Cl.** **D32/6**

(58) **Field of Classification Search** 68/3 R,
68/4, 5, 12.01, 12.08, 212; 34/58, 109, 130-132,
34/417, 499, 523, 534, 600, 603; D32/1,
D32/5, 6, 10, 25, 28, 58; 312/31; 38/1 A
See application file for complete search history.

(56) **References Cited**

U.S. PATENT DOCUMENTS

D465,622 S * 11/2002 Wang et al. D32/6

D477,898 S * 7/2003 Geyer D32/6
D495,453 S * 8/2004 Baldwin et al. D32/8
D501,577 S * 2/2005 Hutton et al. D26/110
D517,256 S * 3/2006 Kim D32/6

* cited by examiner

Primary Examiner—Louis S. Zarfes

Assistant Examiner—Kathleen Sims

(74) *Attorney, Agent, or Firm*—Birch, Stewart, Kolasch & Birch, LLP

(57) **CLAIM**

The ornamental design for a drum washing machine, as shown and described.

DESCRIPTION

FIG. 1 is a front, right perspective view of the drum washing machine showing our new design; FIG. 2 is a front view thereof; FIG. 3 is a rear view thereof; FIG. 4 is a left-side view thereof; FIG. 5 is a right-side view thereof; FIG. 6 is a top view thereof; and, FIG. 7 is a bottom view thereof.

The portions shown in broken lines are for illustrative purposes only and form no part of the claimed design.

1 Claim, 7 Drawing Sheets

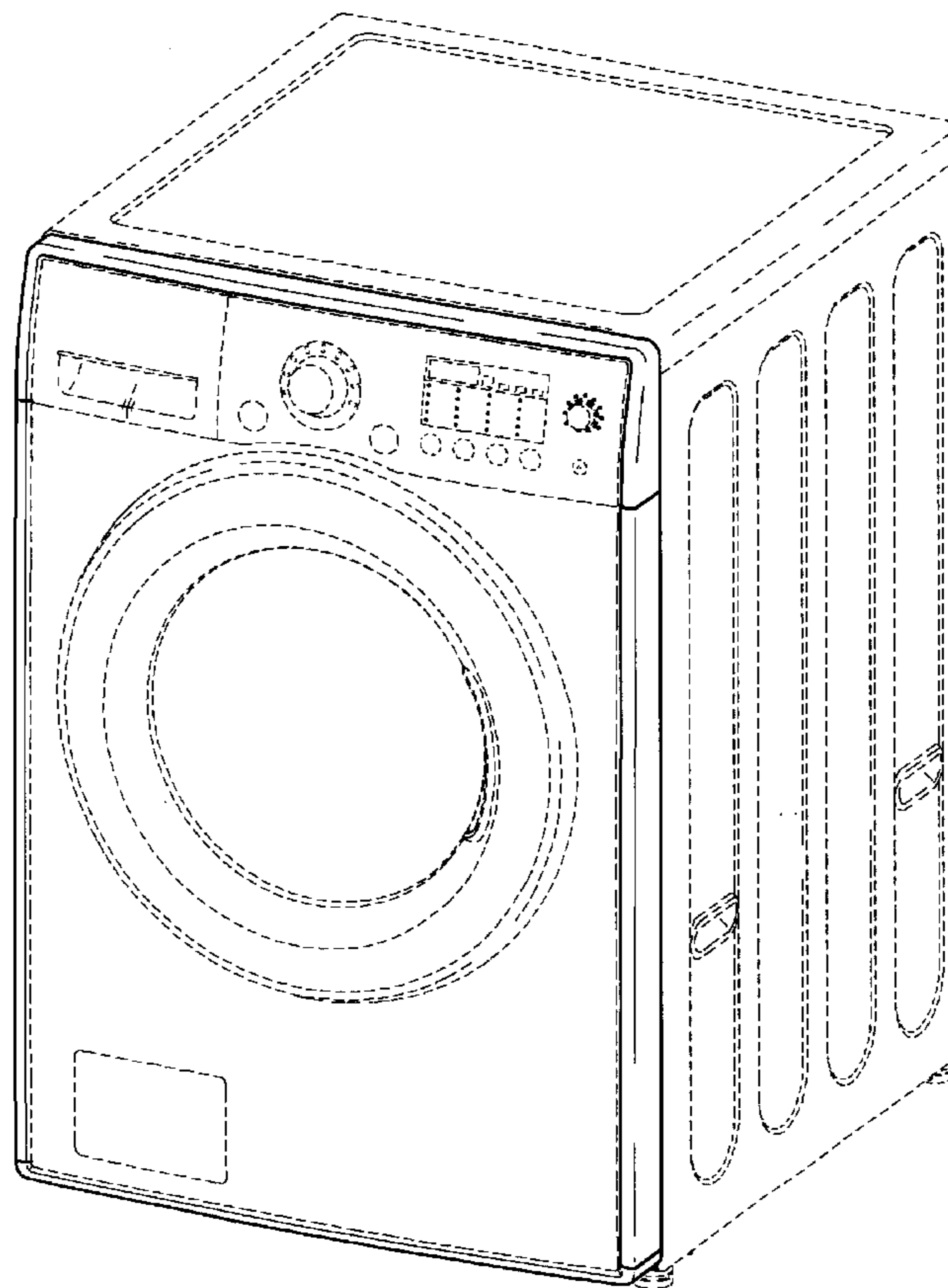


FIG. 1

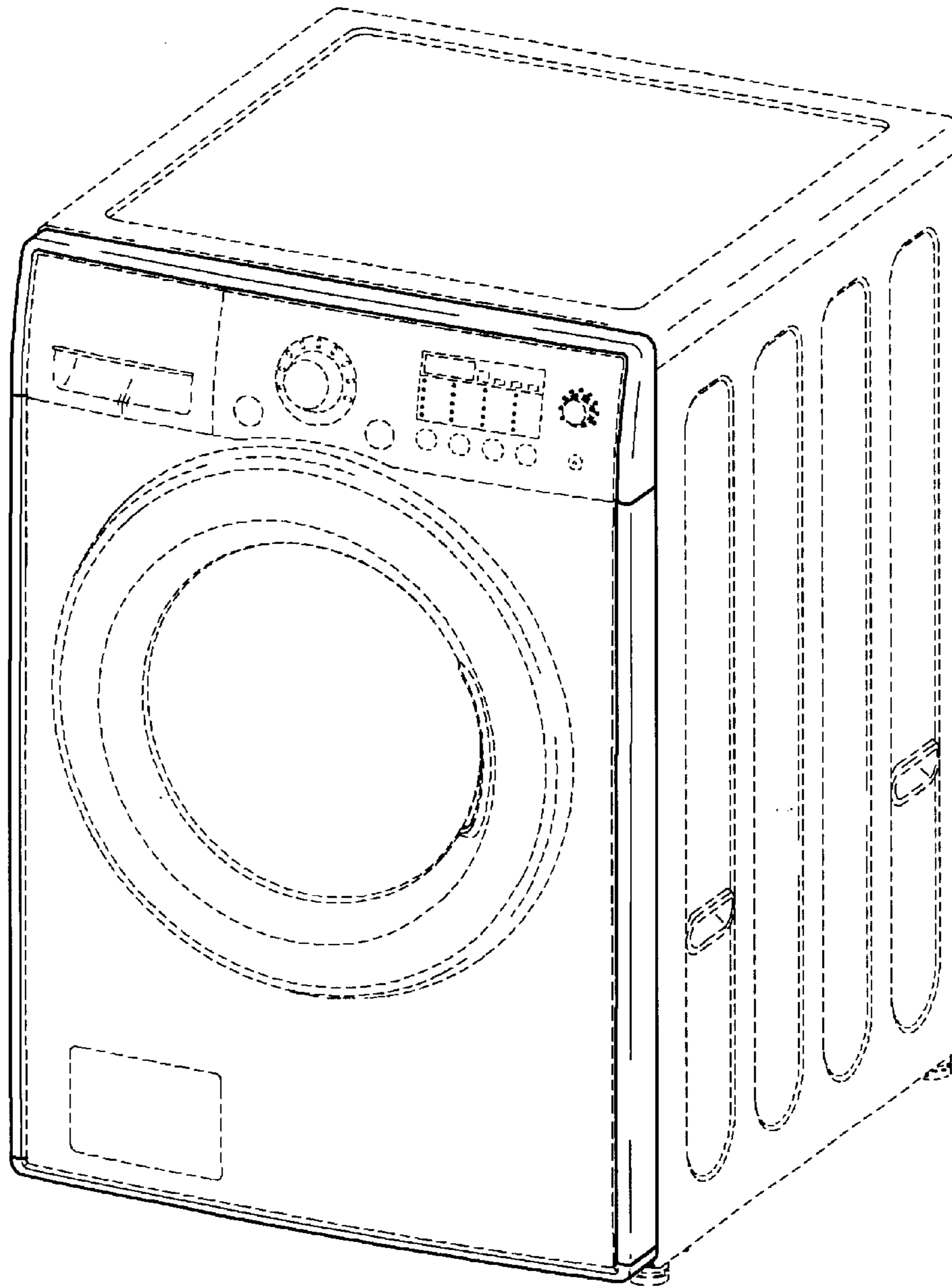


FIG. 2

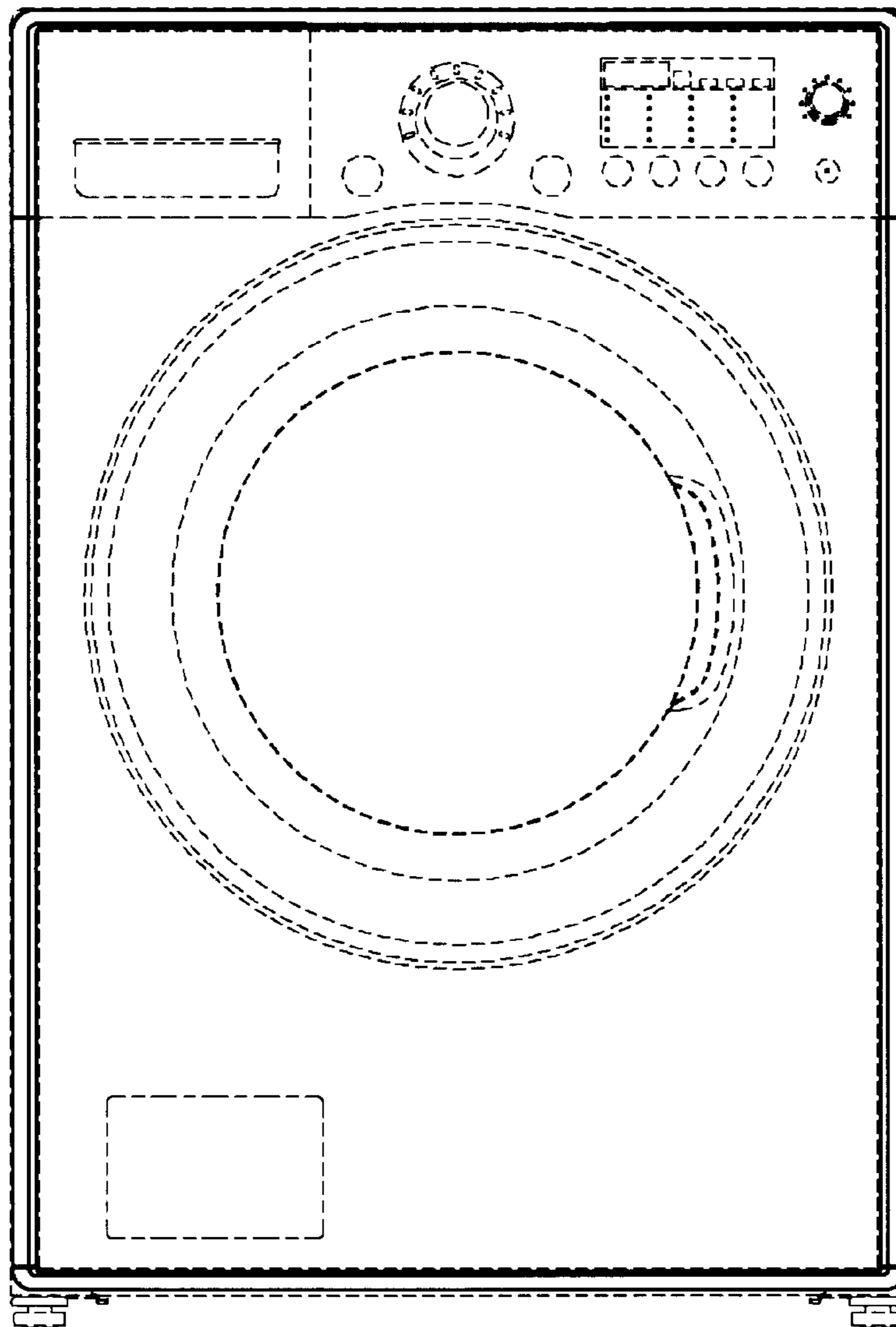


FIG. 3

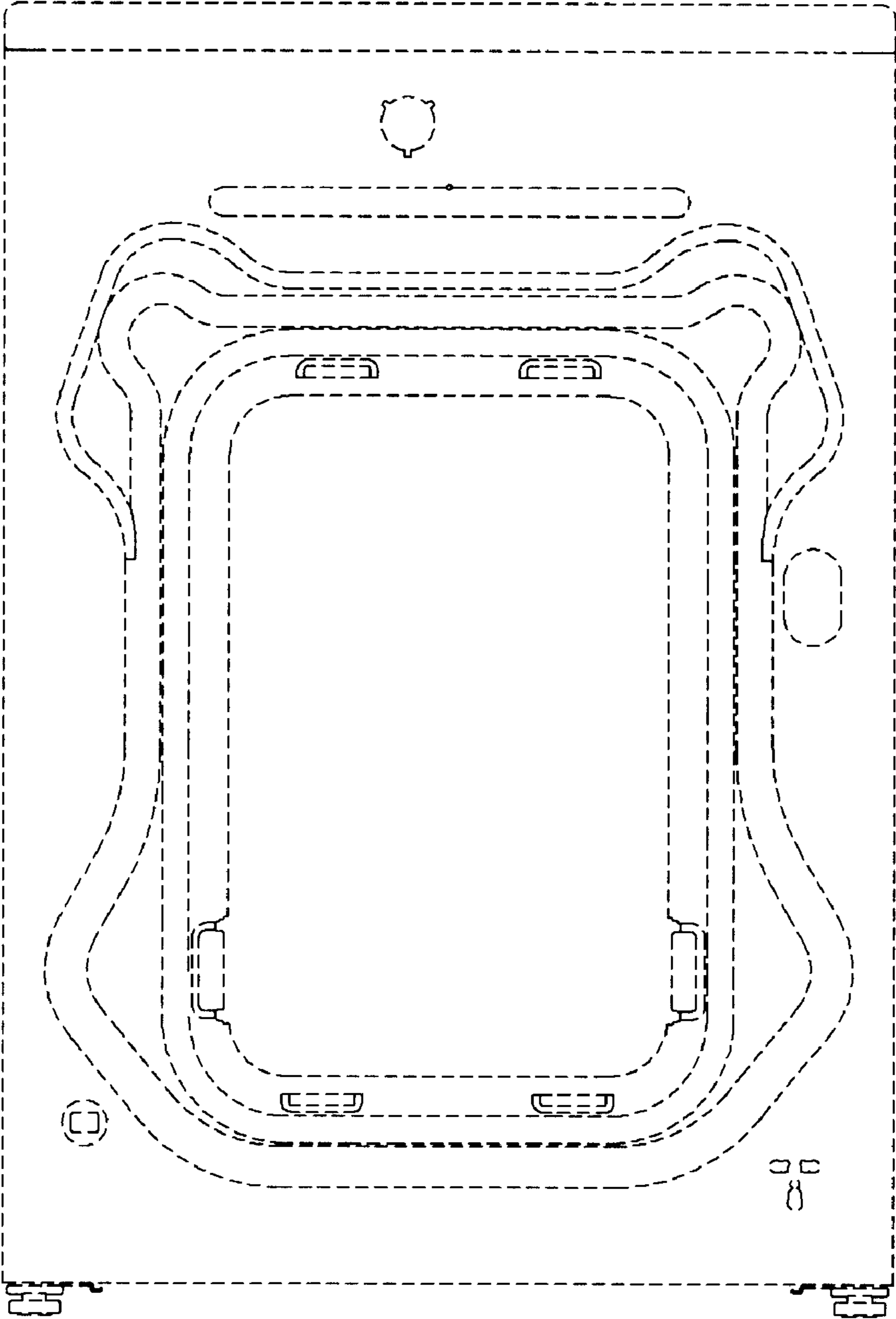


FIG. 4

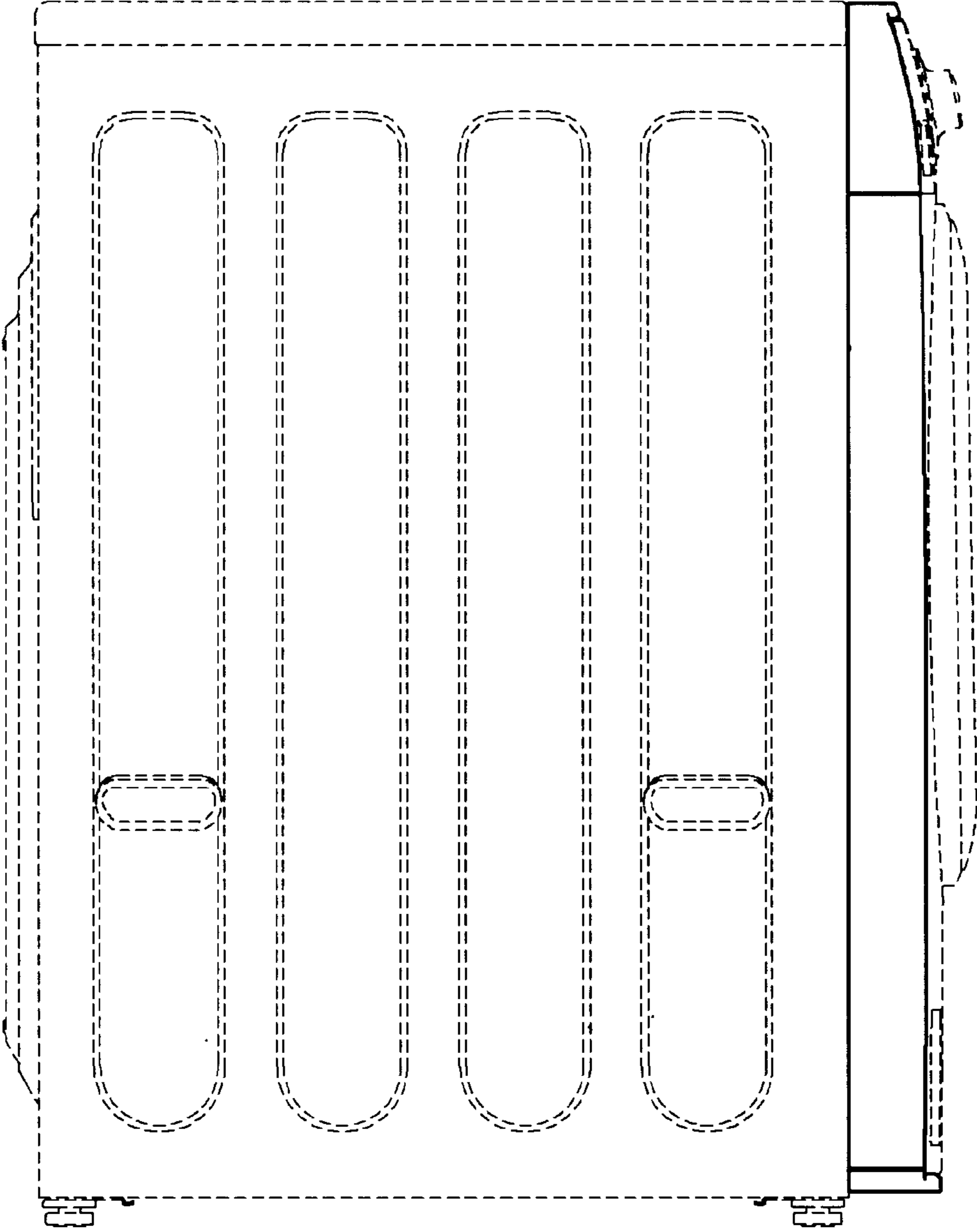


FIG. 5

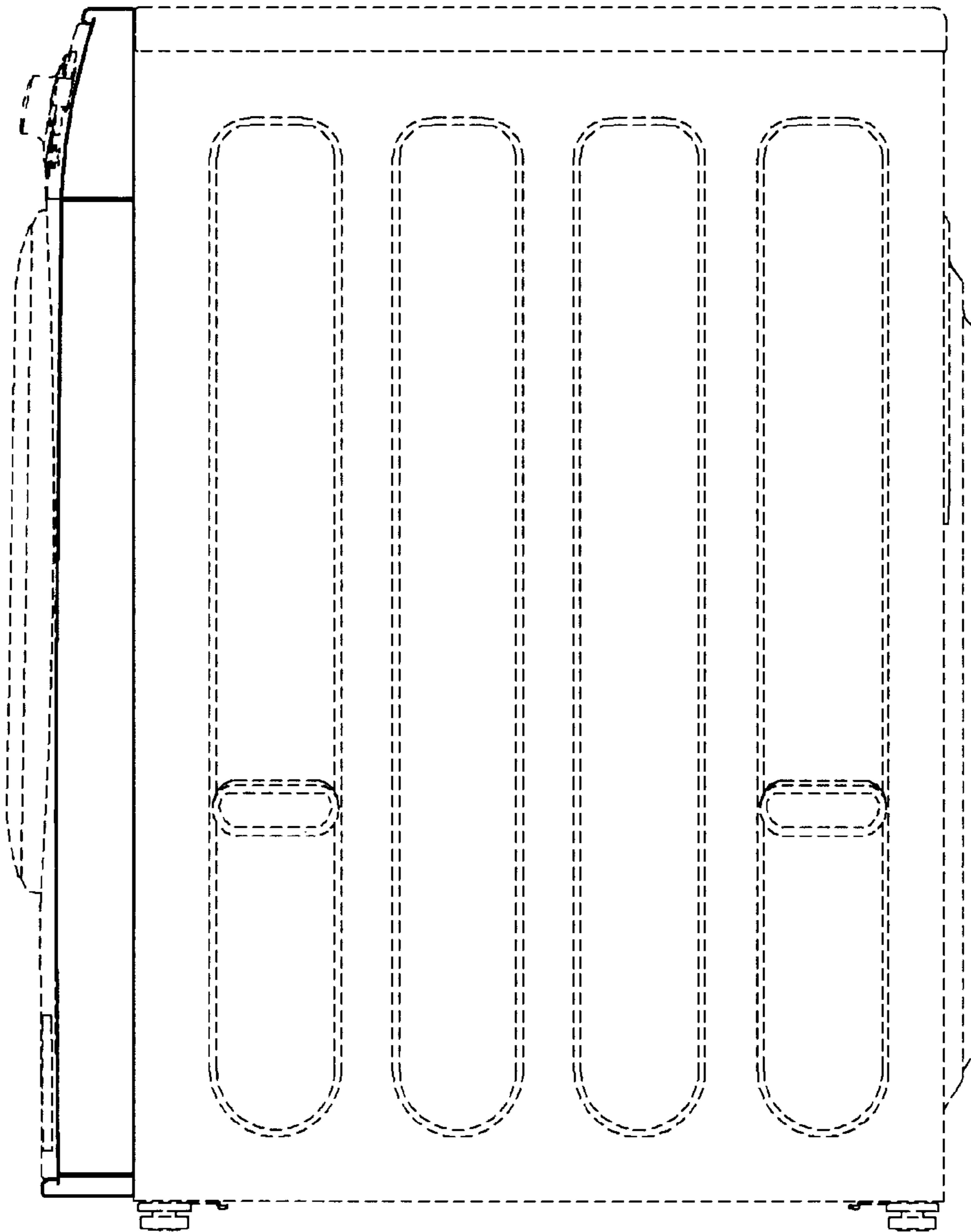


FIG. 6

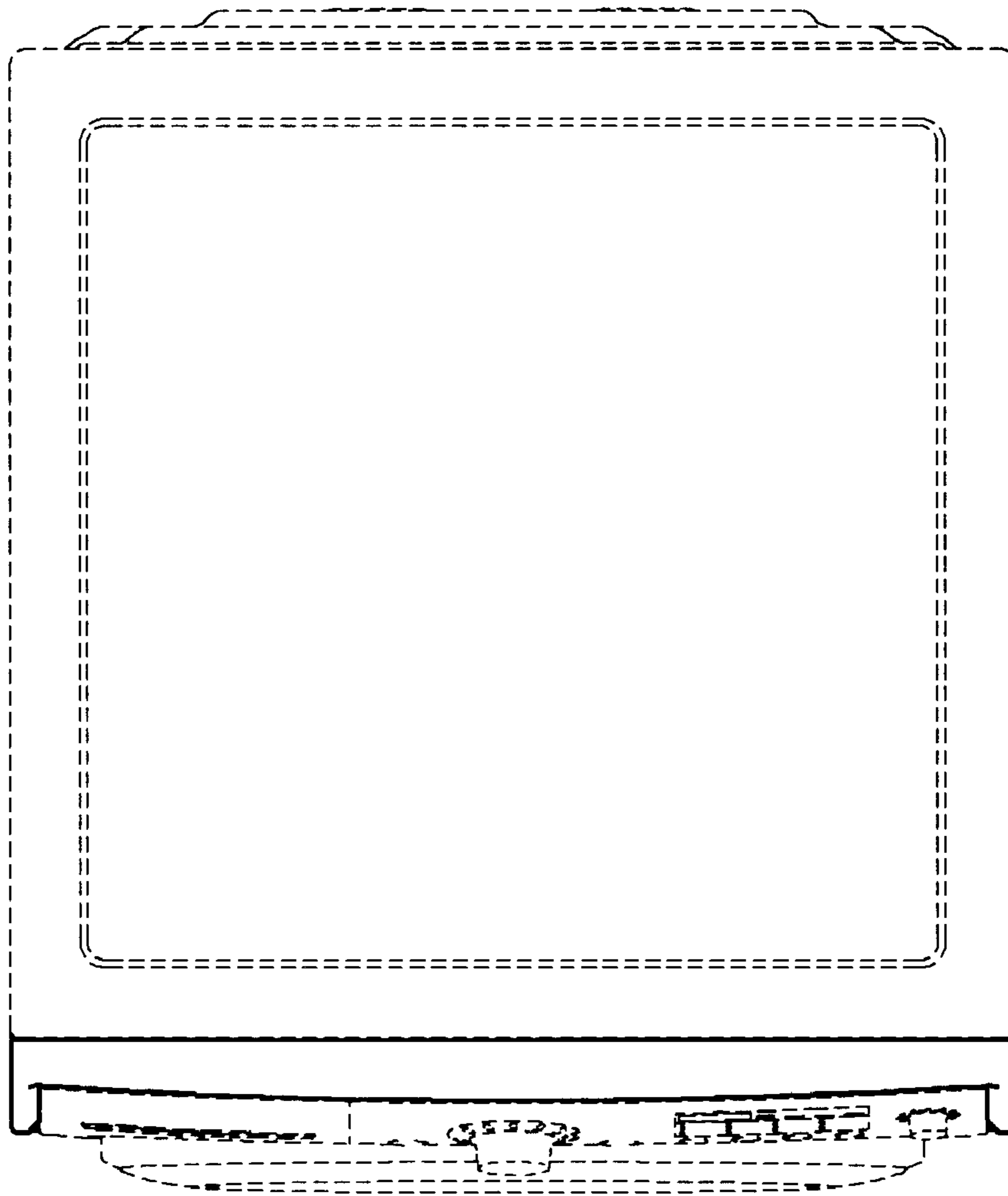


FIG. 7

