



US00D535444S

(12) **United States Design Patent**
Rahman

(10) **Patent No.:** **US D535,444 S**

(45) **Date of Patent:** **** Jan. 16, 2007**

(54) **PET BED**

(76) **Inventor:** **Jon W. Rahman**, 1206 Victoria Ave.,
Venice, CA (US) 90291

(**) **Term:** **14 Years**

(21) **Appl. No.:** **29/234,588**

(22) **Filed:** **Jul. 20, 2005**

(51) **LOC (8) Cl.** **30-06**

(52) **U.S. Cl.** **D30/118; 6/361**

(58) **Field of Classification Search** **D30/118;**
D6/317, 331, 334-335, 349, 361, 370, 377,
D6/381-382, 385, 386-388, 390, 393-394,
D6/596, 601; 5/93.1, 100-101, 105, 110,
5/115, 657, 655.9, 657.5; 119/28.5; 297/462,
297/452.65

See application file for complete search history.

(56) **References Cited**

U.S. PATENT DOCUMENTS

D176,045 S	*	11/1955	Sherman	D6/361
D194,497 S	*	2/1963	Miller	D6/361
D194,498 S	*	2/1963	Miller	D6/361
D209,898 S	*	1/1968	Kokubunji-shi	D6/393
D212,009 S	*	8/1968	Madlem	D30/118
D213,872 S	*	4/1969	Leistikow	D6/349

D230,542 S	*	3/1974	Badsey	D6/381
3,999,801 A	*	12/1976	Walters	297/451.4
D261,332 S	*	10/1981	Rohr	D6/363
D304,394 S	*	11/1989	Harmer	D6/361
D341,965 S	*	12/1993	Chapman	D6/361
D342,164 S	*	12/1993	Dalman	D30/118
D353,962 S	*	1/1995	Gale	D6/334
5,860,389 A	*	1/1999	Caldwell	119/28.5
6,044,794 A	*	4/2000	Raitanen et al.	119/28.5
2002/0096119 A1	*	7/2002	Kolozsvari	119/28.5

* cited by examiner

Primary Examiner—Cathy Anne MacCormac

(74) *Attorney, Agent, or Firm*—Cherskov & Flaynik

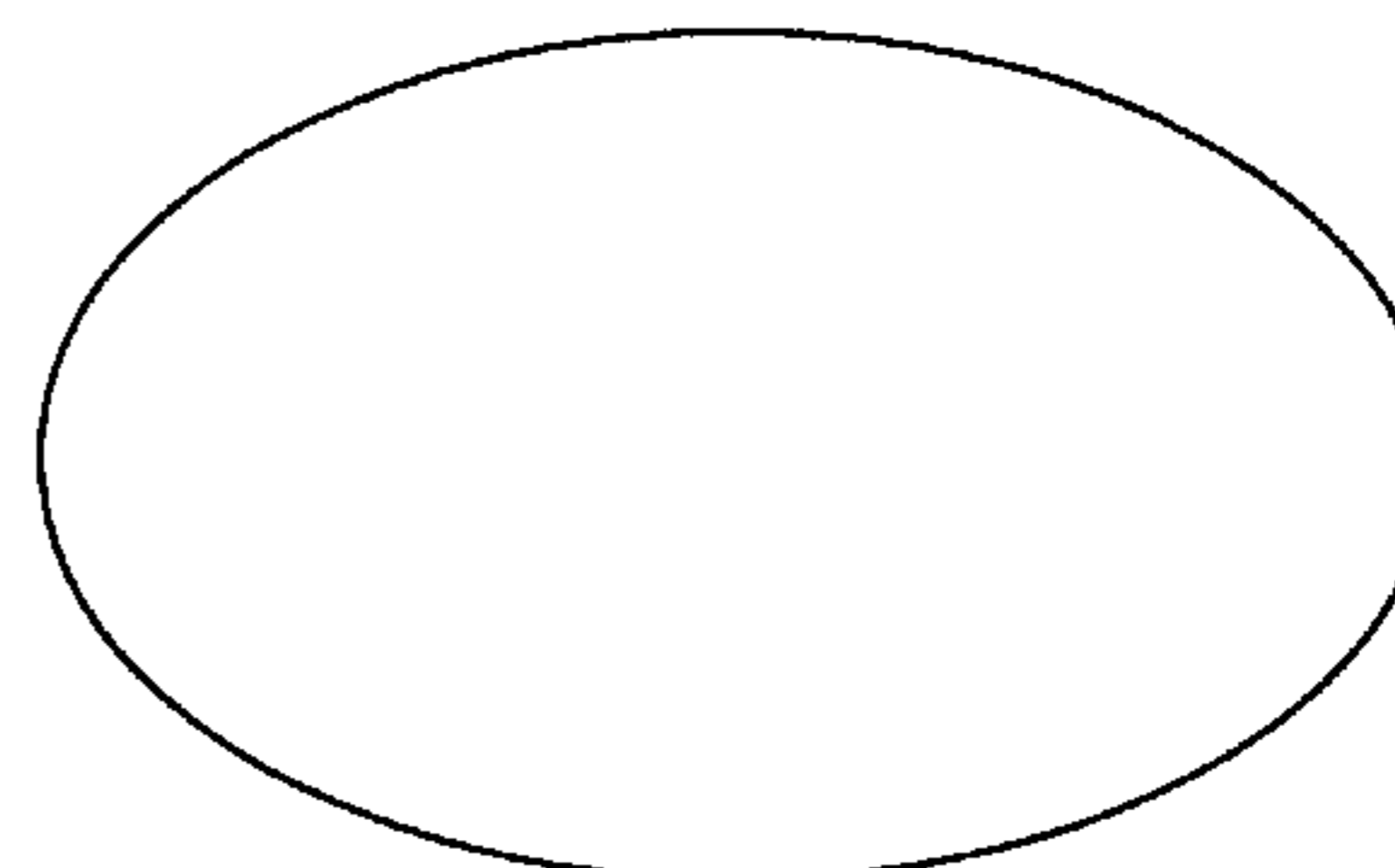
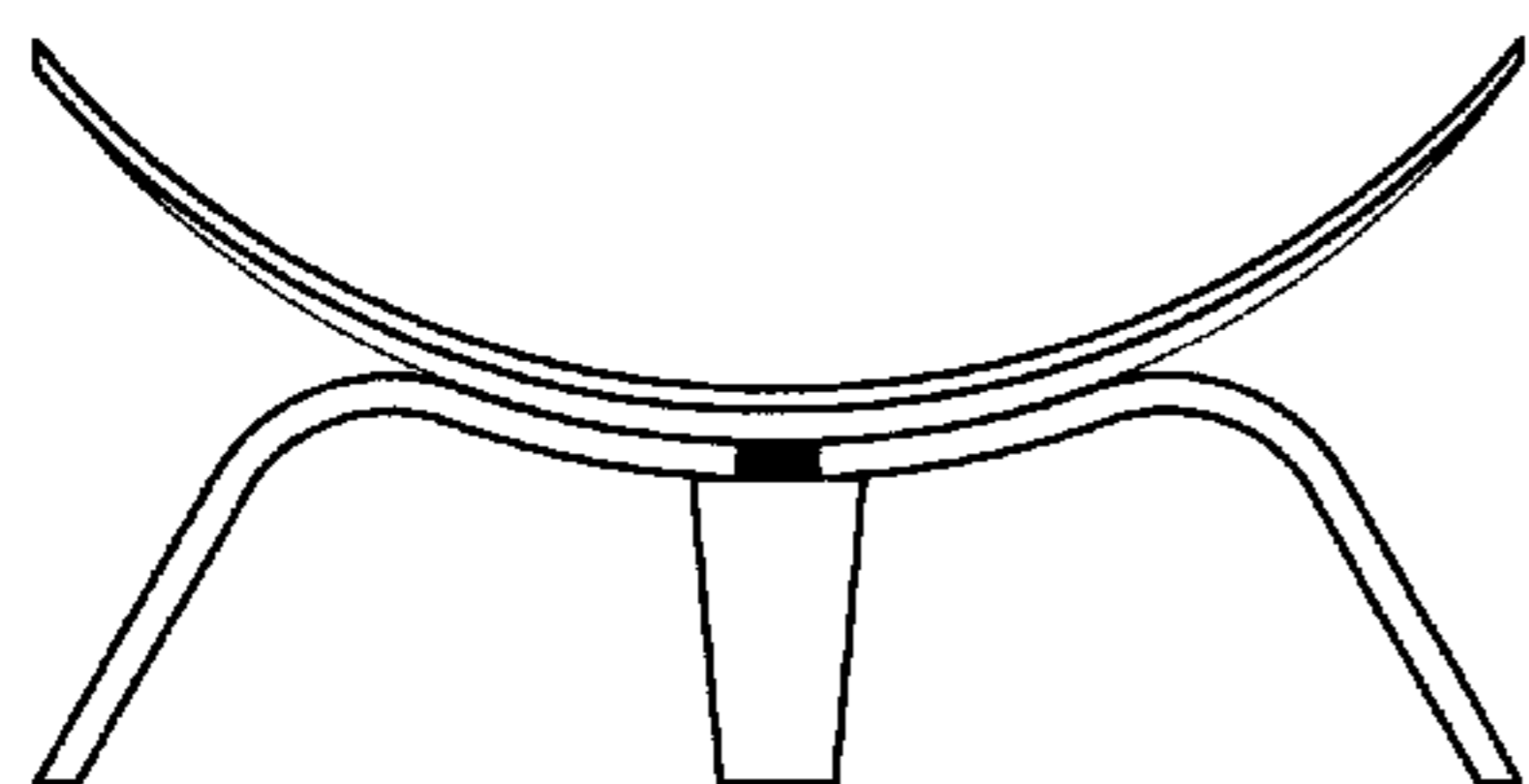
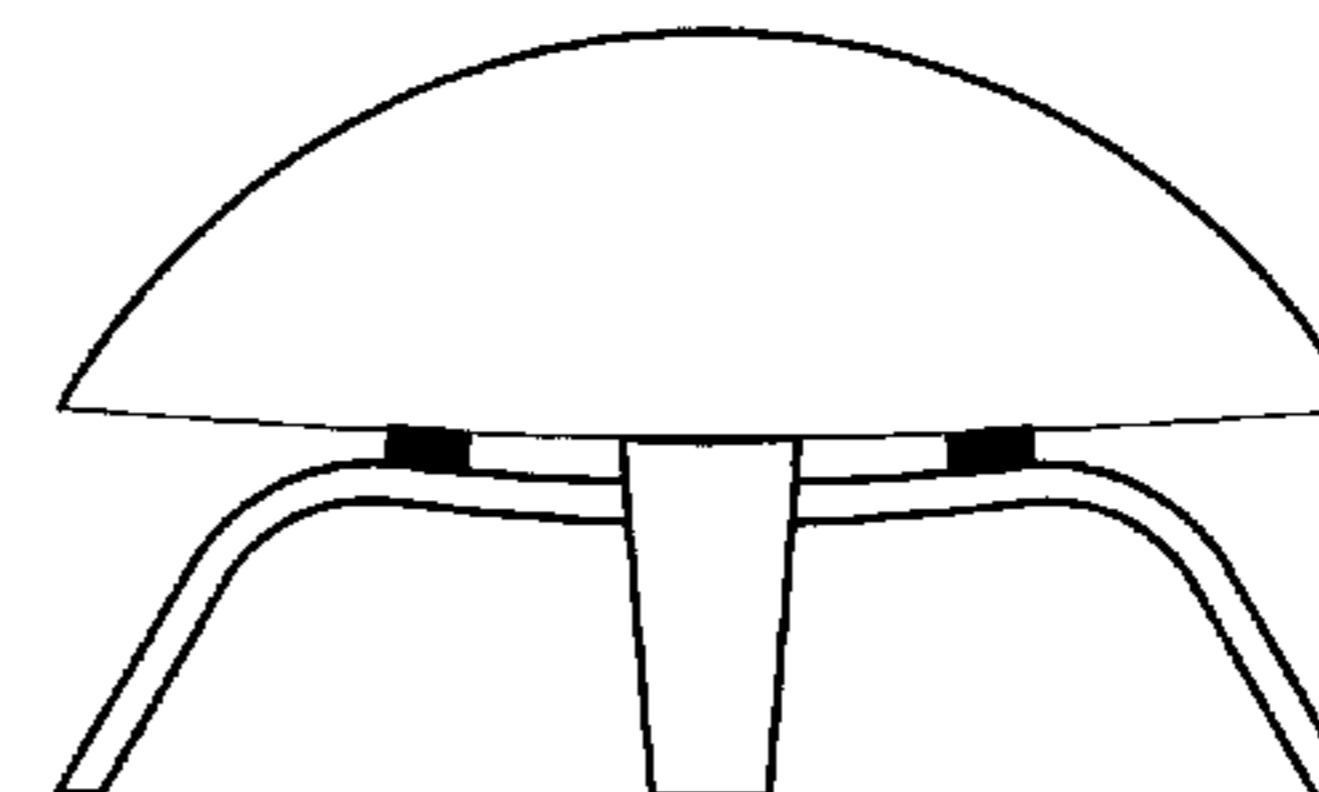
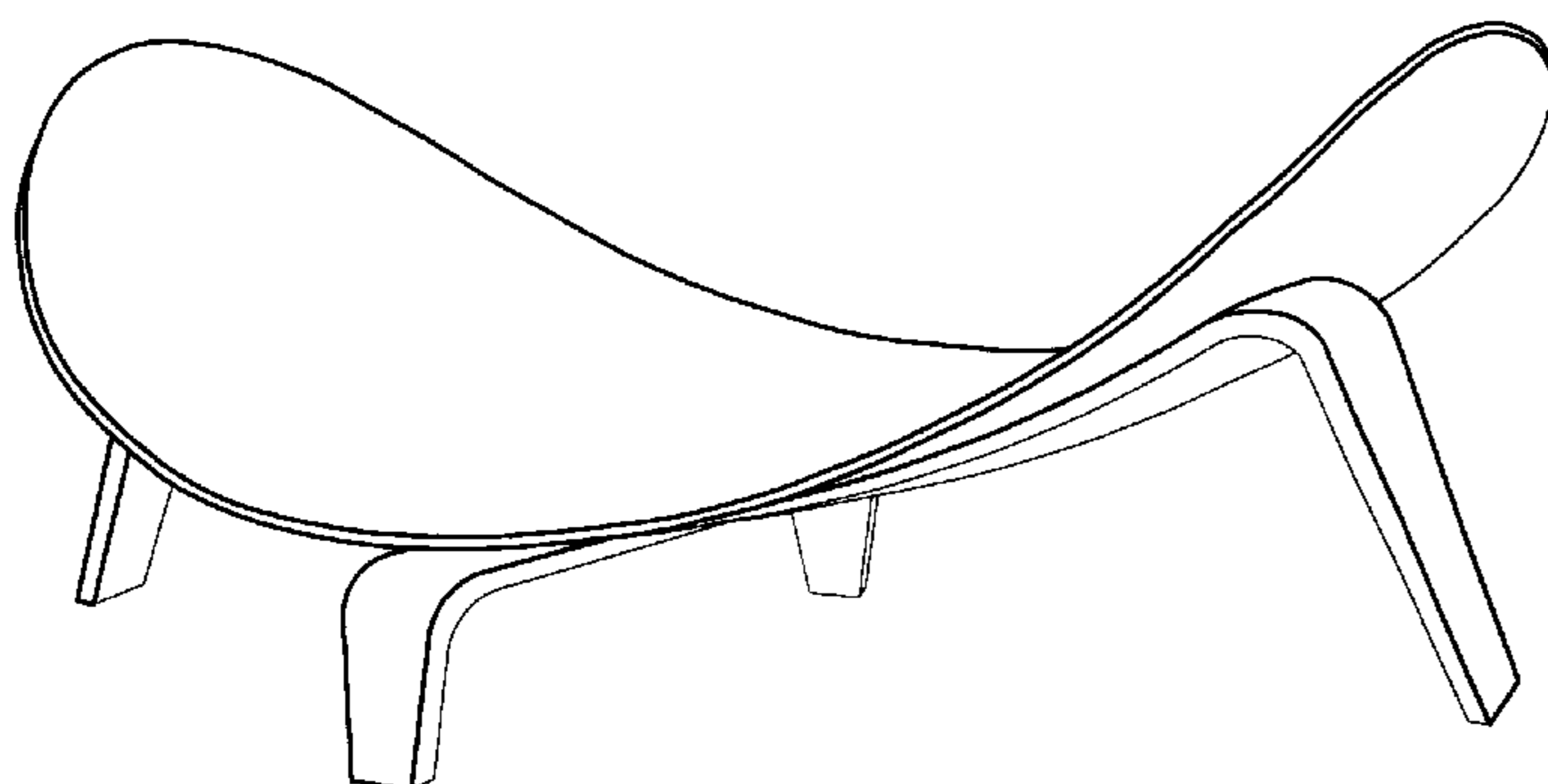
(57) **CLAIM**

The ornamental design for a pet bed, as shown and described.

DESCRIPTION

FIG. 1 is a front perspective view of applicant's design; FIG. 2 is a front elevational view thereof; FIG. 3 is a right side elevational view thereof; FIG. 4 is a rear elevational view thereof; FIG. 5 is a left side elevational view thereof; and, FIG. 6 is a top view thereof.

1 Claim, 6 Drawing Sheets



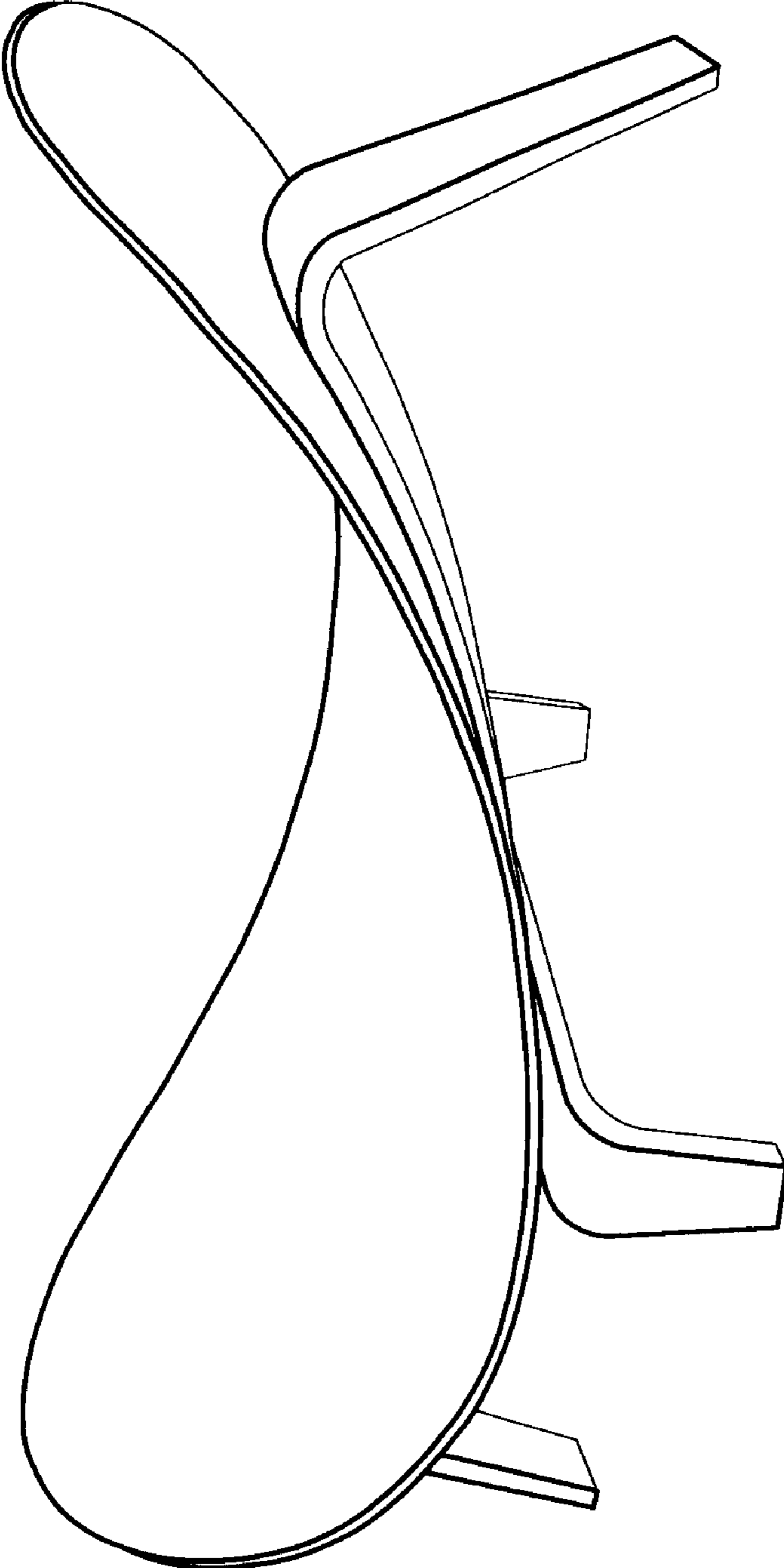


Fig. 1

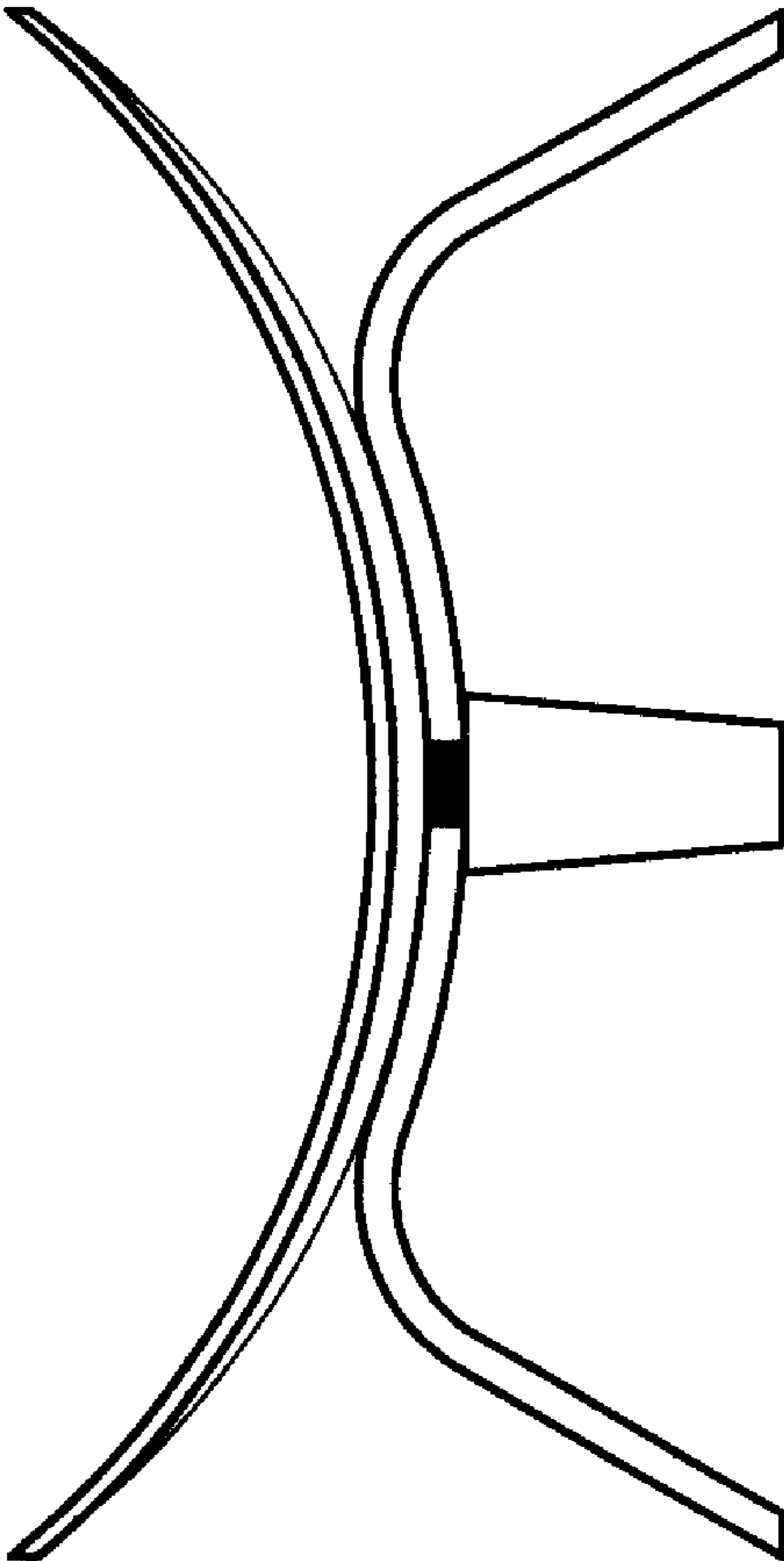


Fig. 2

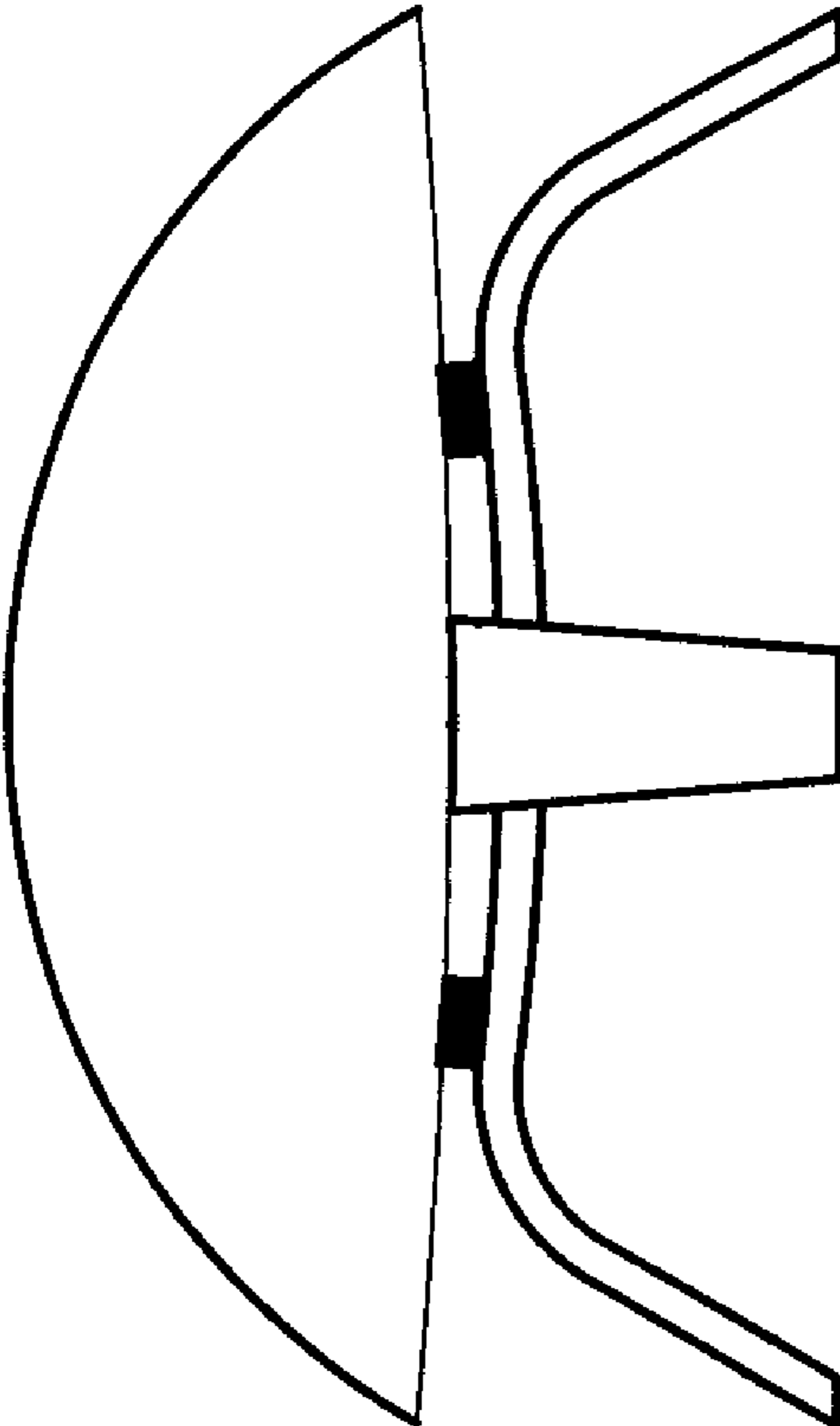


Fig. 3

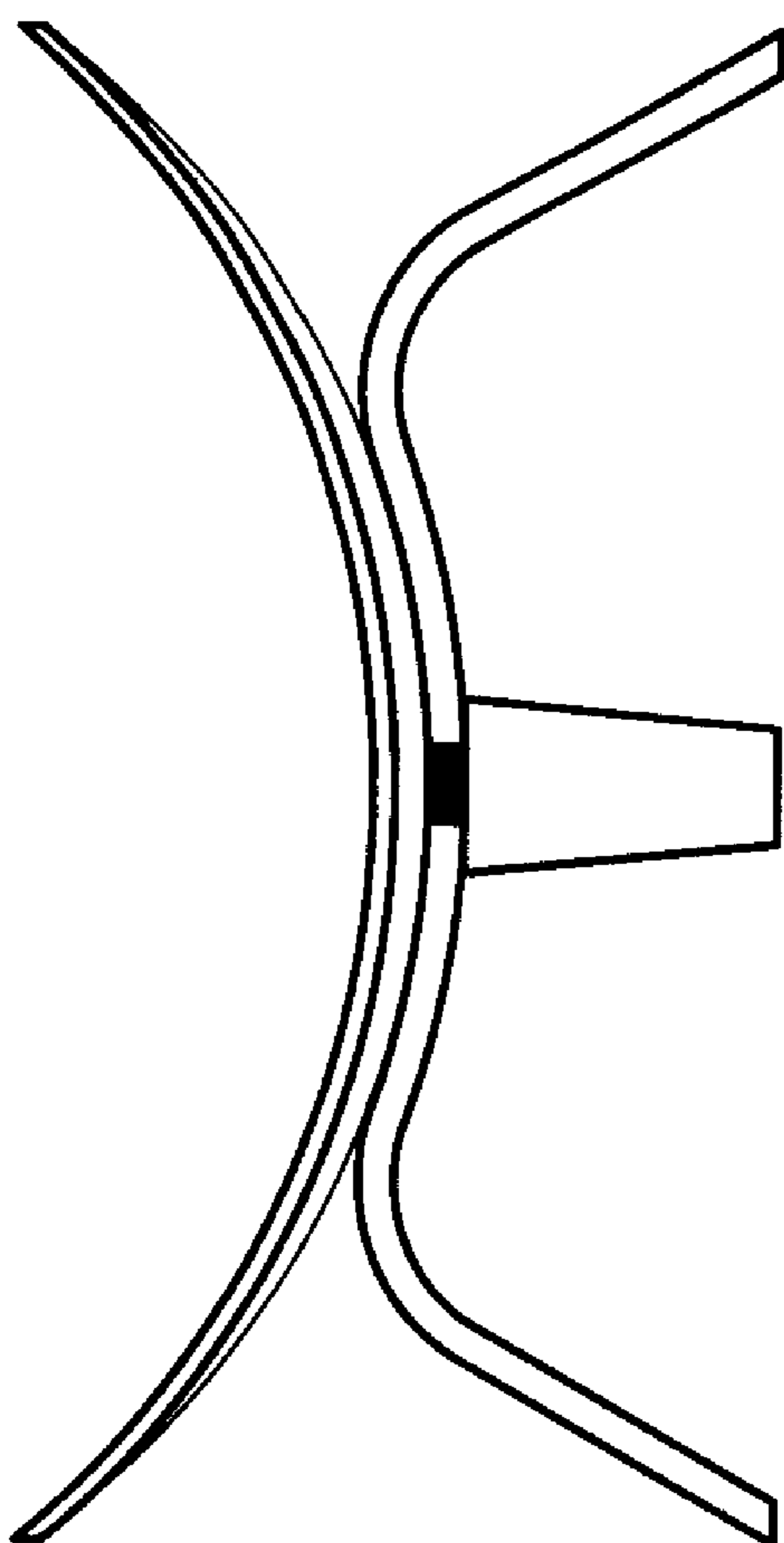


Fig. 4

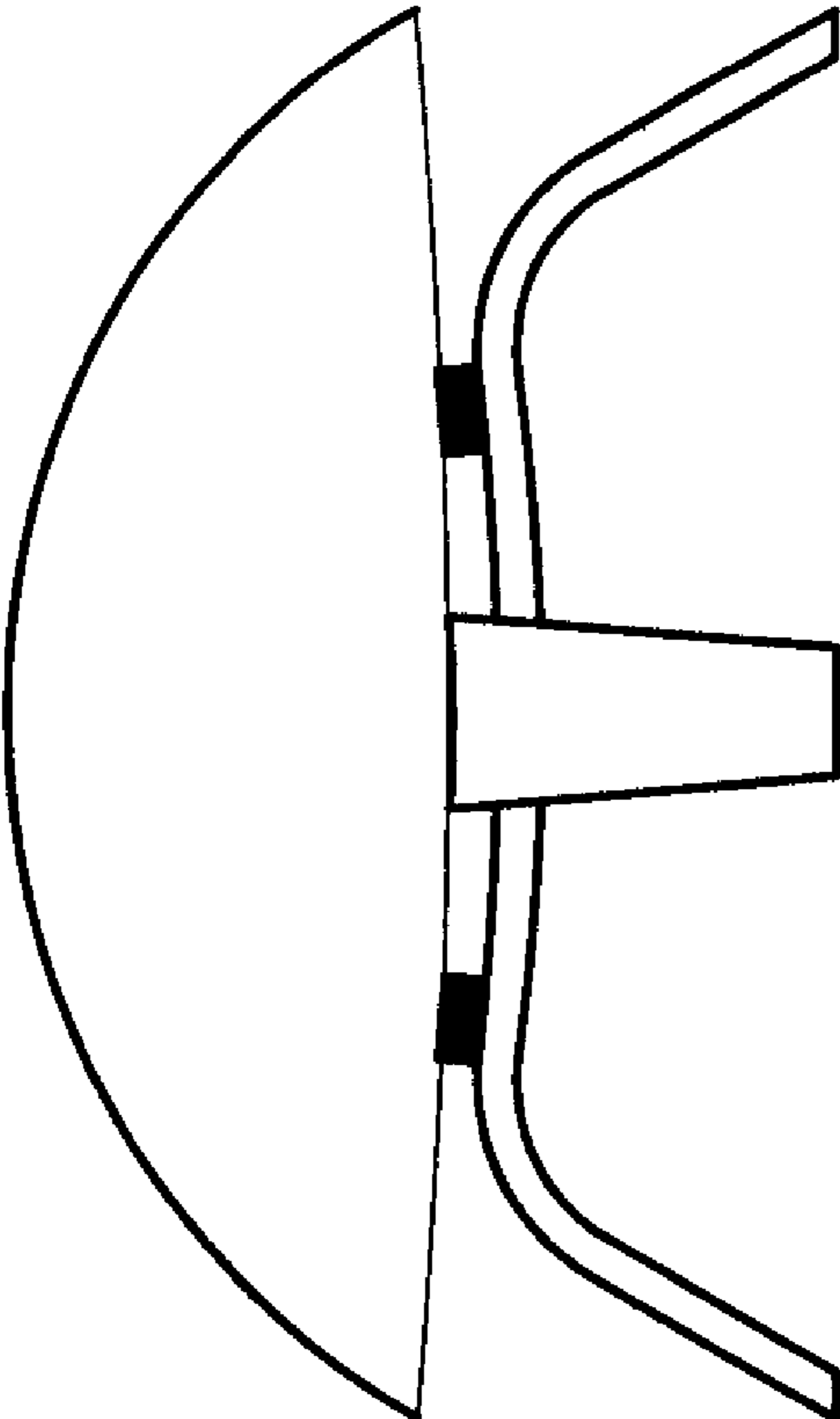


Fig. 5

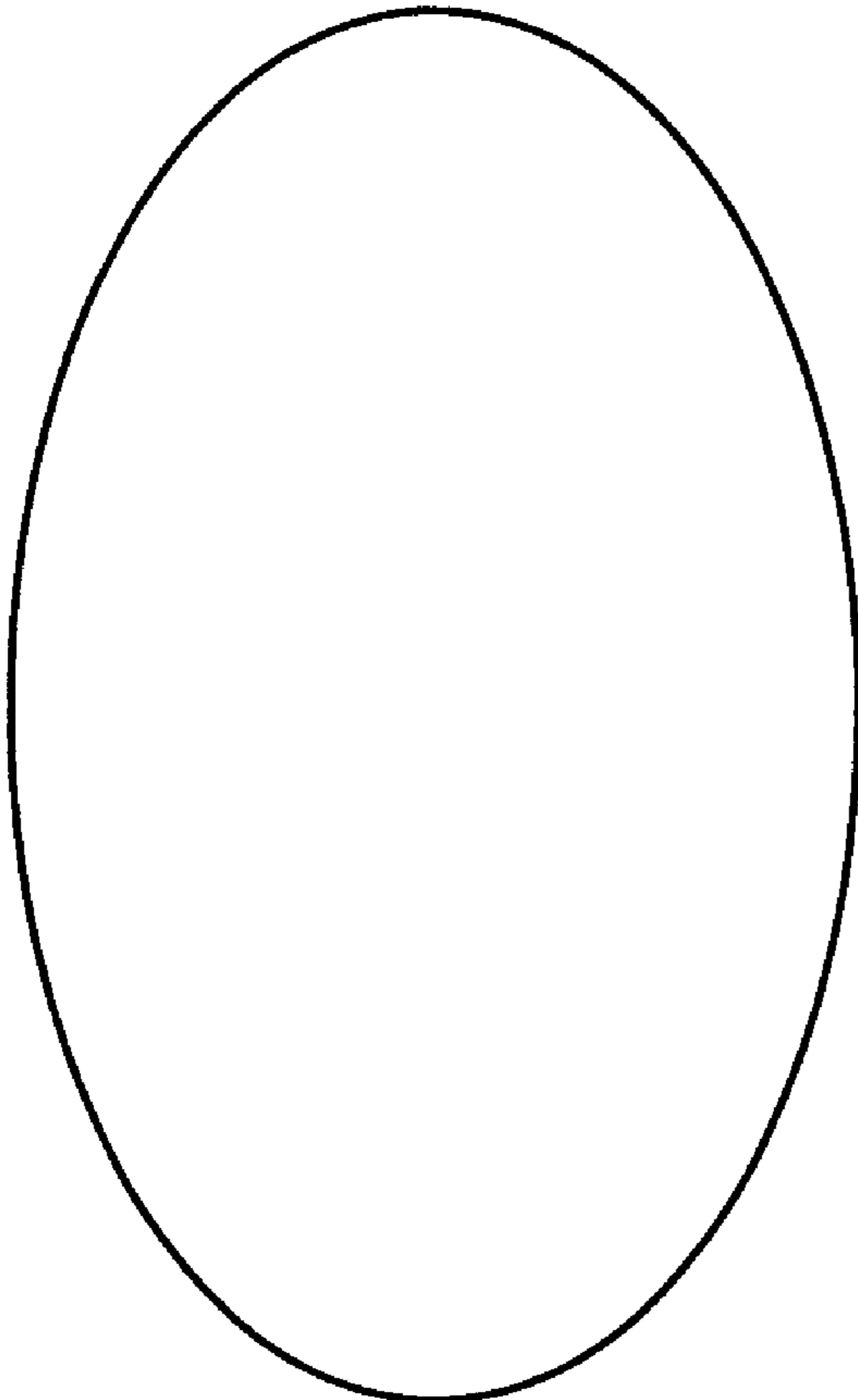


Fig. 6