

US00D535443S

(12) **United States Design Patent**
Pineda et al.

(10) **Patent No.:** **US D535,443 S**
(45) **Date of Patent:** **** Jan. 16, 2007**

- (54) **MOTORCYCLE SAFETY BELT**
 - (76) Inventors: **Joe Pineda**, 31158 Cherry Dr., Castaic, CA (US) 91384; **Martha Pineda**, 31158 Cherry Dr., Castaic, CA (US) 91384
 - (**) Term: **14 Years**
 - (21) Appl. No.: **29/242,137**
 - (22) Filed: **Nov. 7, 2005**
 - (51) **LOC (8) Cl.** **29-02**
 - (52) **U.S. Cl.** **D29/100; D29/101.5**
 - (58) **Field of Classification Search** D29/100, D29/101.1, 101.2, 101.3, 101.4, 101.5; D2/627, D2/629; D21/683; 2/16, 300, 311, 312, 321; 224/660
- See application file for complete search history.

- 5,152,013 A 10/1992 Johnson
- D332,589 S * 1/1993 Frank D12/114
- D366,555 S * 1/1996 Daniels D29/101.5
- D374,546 S 10/1996 Luna
- 5,806,087 A * 9/1998 Grotefend 2/311
- 5,941,438 A * 8/1999 Price 224/660
- 6,345,745 B1 * 2/2002 Harriss 224/660
- D457,688 S * 5/2002 Cordero D29/100
- 6,567,992 B1 * 5/2003 Ross 2/312
- D480,535 S * 10/2003 Hammond D2/627
- D500,393 S * 12/2004 Beacham et al. D29/100
- 6,941,585 B1 * 9/2005 Wells, Jr. 2/311
- D515,245 S * 2/2006 Wartick D29/101.5

* cited by examiner

Primary Examiner—T. Chase Nelson

(57) **CLAIM**

The ornamental design for a motorcycle safety belt, as shown and described.

(56) **References Cited**

U.S. PATENT DOCUMENTS

- 3,840,902 A * 10/1974 McNeill 2/311
- 3,896,499 A 7/1975 Kelly
- 3,940,801 A * 3/1976 Riggs et al. 2/311
- D242,031 S * 10/1976 Hartlaub D12/114
- 4,028,742 A 6/1977 Marquis
- D245,816 S * 9/1977 Conti et al. D29/101.5
- 4,411,222 A 10/1983 Wolfson
- 4,413,358 A * 11/1983 Jimenez 2/311
- 4,545,370 A * 10/1985 Welsh 2/321
- D291,942 S * 9/1987 Green D29/101.5
- 4,999,853 A * 3/1991 Tanner 2/321
- 5,081,719 A 1/1992 Donnelly

DESCRIPTION

FIG. 1 is a top plan of a motorcycle safety belt showing my new design;
 FIG. 2 is a bottom plan thereof;
 FIG. 3 is a side elevational view thereof;
 FIG. 4 is a front elevational thereof;
 FIG. 5 is a rear elevational thereof;
 FIG. 6 is a perspective view thereof; and,
 FIG. 7 is a perspective view showing the present invention in a closed position.

1 Claim, 2 Drawing Sheets

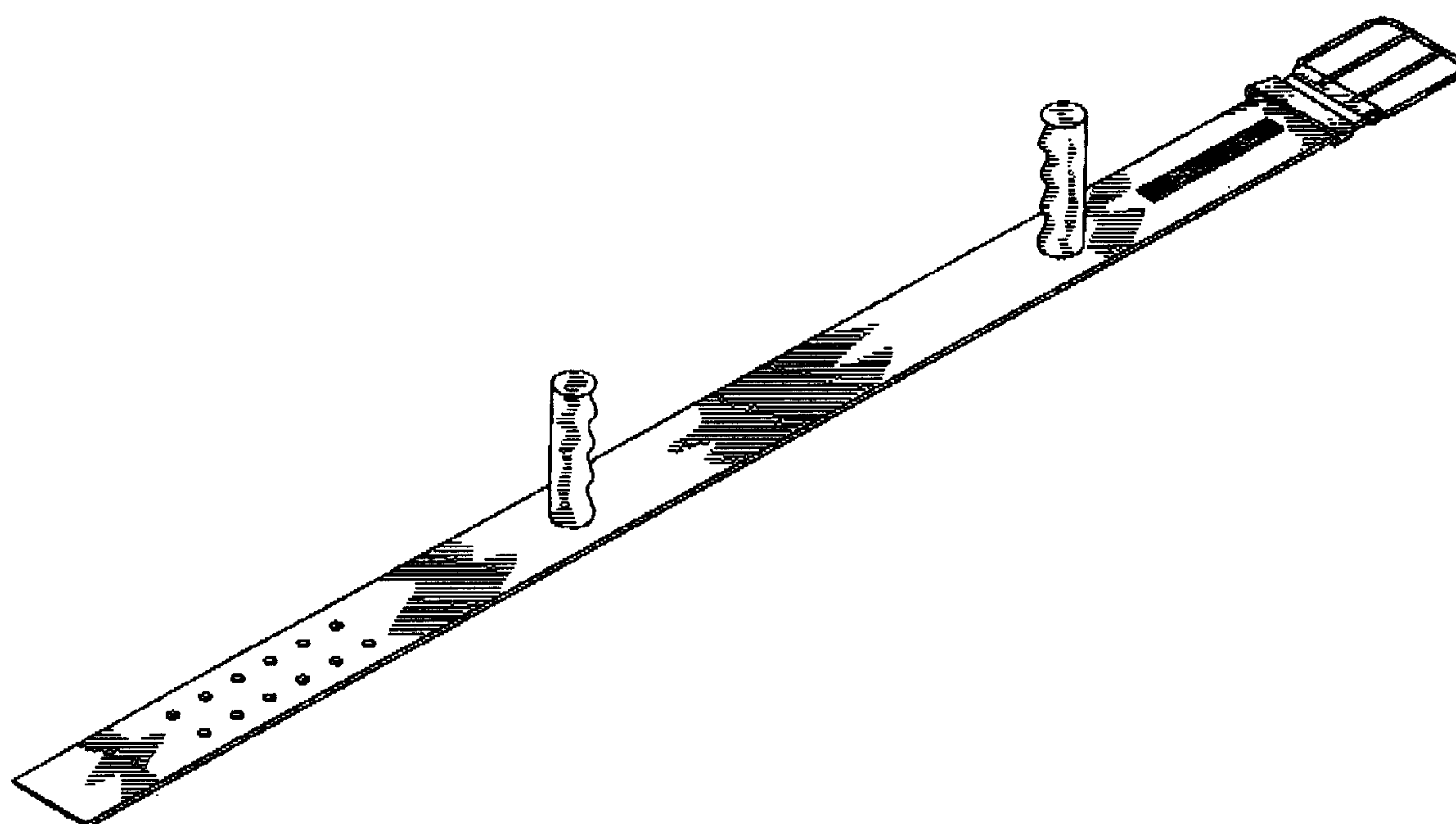


FIG. 1



FIG. 2



FIG. 3

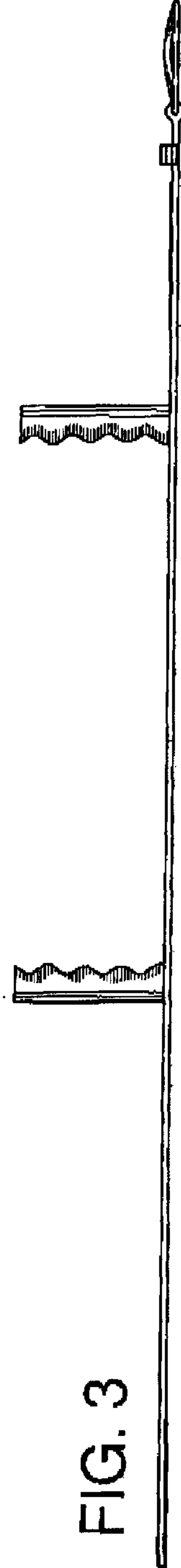


FIG. 4

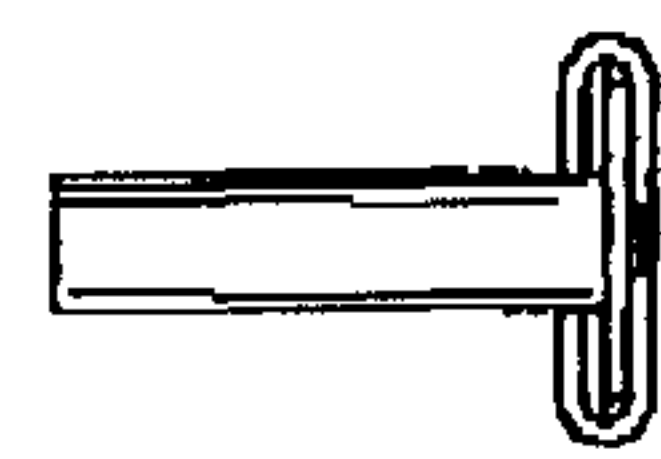


FIG. 5



